

Rogue²

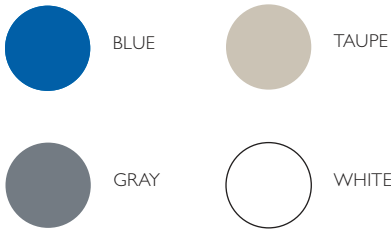


A retro look with a thoroughly modern, rotomolded flume makes this the new standard for backyard fun.

- 8' in height (6'6" to seat)
- Available in right or left curved flume
- Accommodates sliders up to 250 lbs/113kg
- Wide flume with high walls
- Designed for quick, easy assembly
- Improved high volume water delivery system can be plumbed through the pool's return line or connected to a garden hose
- Can be surface or in-deck mounted to accommodate any pool (flanges must be purchased separately)
- Intended for in-ground residential swimming pools only

Water flow 30 gpm max.

Slide Color



Due to printing technology, actual color may differ.

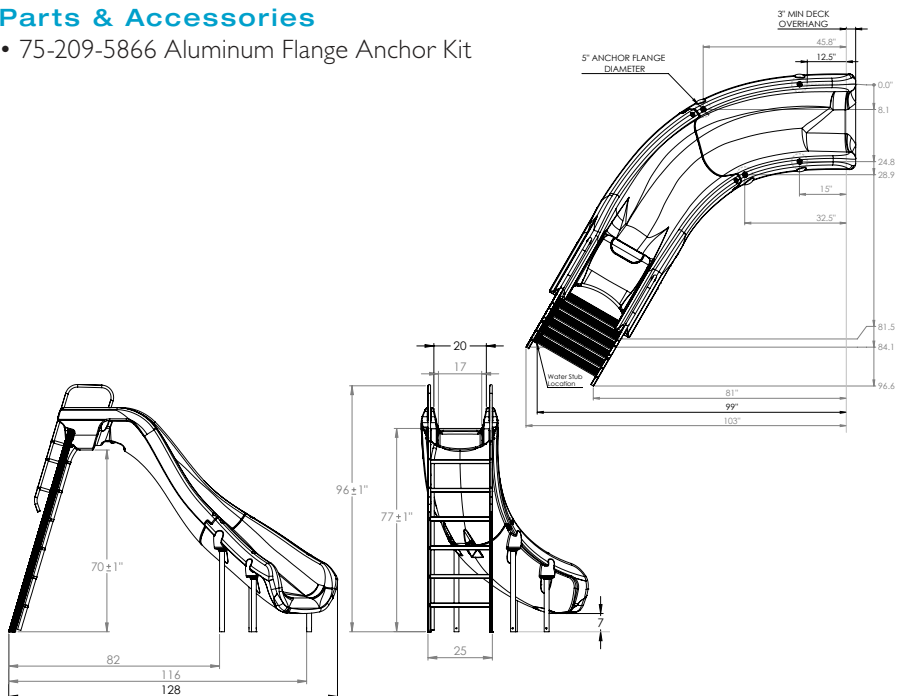
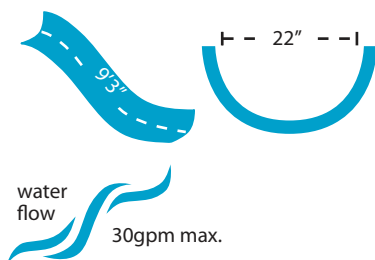
Adult supervision required at all times when children are using this slide.

Model No.	Description	Shipping			
		Weight	Length	Width	Height
610-209-5812	White, Right Curve	200 lbs 91kg	92" 234cm	40" 102cm	35" 89cm
610-209-5822	White, Left Curve				
610-209-58110	Taupe, Right Curve				
610-209-58210	Taupe, Left Curve				
610-209-5813	Blue, Right Curve				
610-209-5823	Blue, Left Curve				
610-209-58120	Gray, Right Curve				
610-209-58220	Gray, Left Curve				

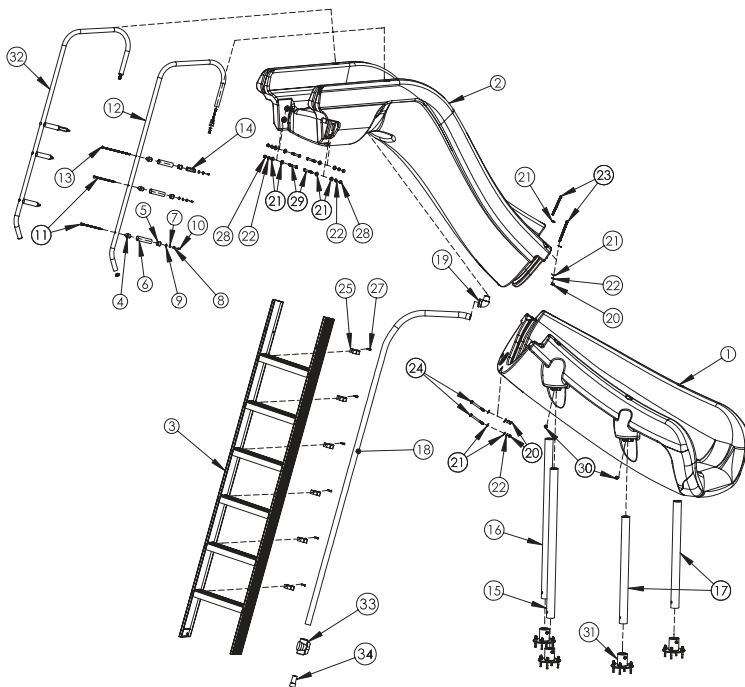
Parts & Accessories

- 75-209-5866 Aluminum Flange Anchor Kit

Flume Details



All S.R.Smith, LLC swimming pool slides fully comply with Consumer Products Safety Commission (CPSC) mandatory safety Standard for Swimming Pool Slides (16 CFR 1207) and are certified by independent third party testing labs. The installer or end-user is responsible for complying with local building codes for the location, installation, construction or assembly of these slides. S.R.Smith, LLC makes no representations that the location, installation, construction or assembly of its slides meet local building codes.



Key	Part No.	Description	Kit A	Kit B	Kit C	Kit D
Kit A	69-209-159	Hardware Kit	•			
Kit B	69-209-162	Ladder & Parts Carton		•		
Kit C	69-209-160	Plumbing Kit			•	
Kit D	69-209-161	Hand Rail Replacement Kit (2 required)				•
1	Bottom Section	Bottom Runway Section				
2	Top Section	Top Runway Section				
3	69-209-158	Ladder Assembly		•		
4		Nylon Tube Connector				•
5		Nylon Handrail Connector				•
6		Handrail Spacer				•
7		1/4" Lock Washer				•
8		1/4-20 Hex Nut				•
9		1/4" x 5/8" Flat Washer	•			•
10		Screw Vinyl Caps	•			
11		1/4 -20 x 6" Carriage Bolt				•
12		Handrail				•
13		1/4 -20 x 8" Carriage Bolt				•
14		Ladder Spacer				•
15		36" Aluminum Leg		•		
16		38 1/2" Aluminum Leg		•		
17		24" Aluminum Leg		•		
18		8' PVC Hose				
19		1" Street Elbow		•	•	
20		3/8" Hex Nut	•			
21		3/8" Flat Washer	•			
22		3/8" Split Lock Washer	•			
23		3/8"-16 x 5" Screw	•			
24		3/8"-16 x 3 1/2" Hex Head Screw	•			
25		Plastic Pipe Clamp				•
26		Vinyl Bolt Cap 0.17 ID x .5		•	•	
27		#10-16 x 1" Self Tapping Screw		•	•	
28		3/8"-16 Acorn Nut	•			
29		3/8" x 3 1/2" Screw	•			
30		5/16" x 1" Hex Washer Tek Screw	•			
31	75-209-5866	Aluminum Flange Kit*				
32	01-218A	Handrail Assembly (2 included)		•		
33		1 1/2" Ball Valve		•	•	
34		Garden Hose Adapter		•	•	
		1/4" x 1/2" Sheet Metal Screw	•			
		1" Coupling, 1" slip x 1" slip		•	•	
		1/4" x 2" S/S HH Tap Bolt (Full Thread)				•
		Nylon Wedge				•
		Tube Plug, Plastic For 0.75" ID				•
	8-532	Gasket				

*Aluminum flange kit not included, must order separately.