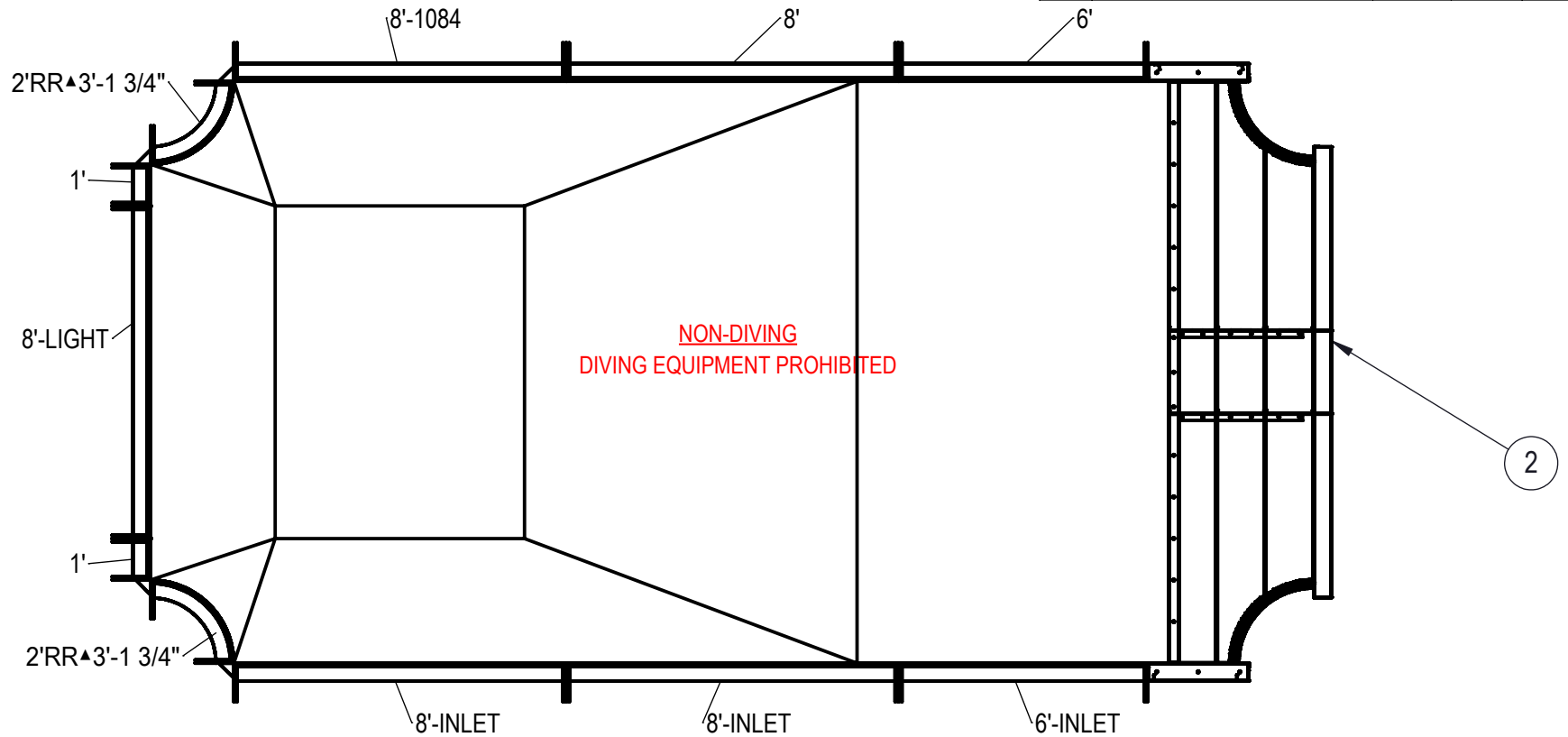


REVISION HISTORY				
REV.	DESCRIPTION	DATE	ECO	BY
A	RELEASED FOR QUOTE	06/06/18		CWHEELER
B	REVISED PER TICKET# 448652	6/18/2018		JRITTENHOUSE
C		6/18/2018		LNELSON



NOTES:

- 1. THESE ARE FINISHED DIMENSIONS READY FOR THE LINER.
- 2. DIMENSIONS ARE FROM INSIDE POOL PANELS.
- 3. ROPE AND FLOAT ASSEMBLY SHOULD BE INSTALLED IN ACCORDANCE WITH ANSI/ASPS/ICC-5 2011 17.2.
- 4. HYDRA LINER TRACK FOR STEPS IS INSTALLED WITH THE BARB FACING THE RISER WALL ON THE STEP.

EXCAVATION NOTES:

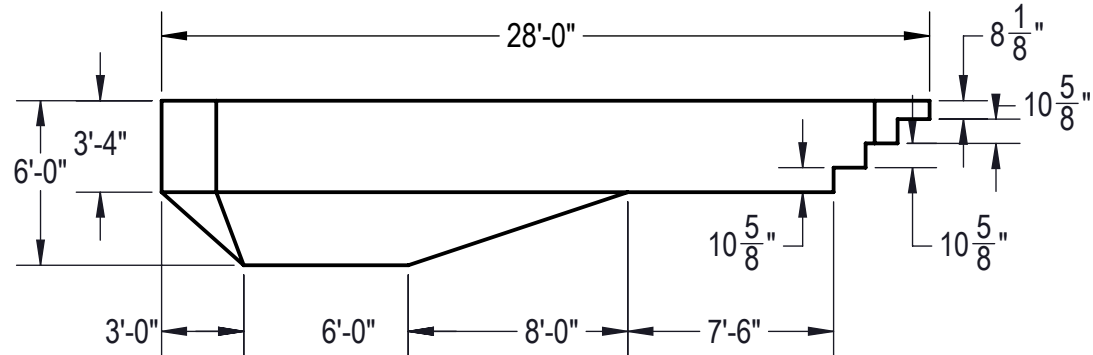
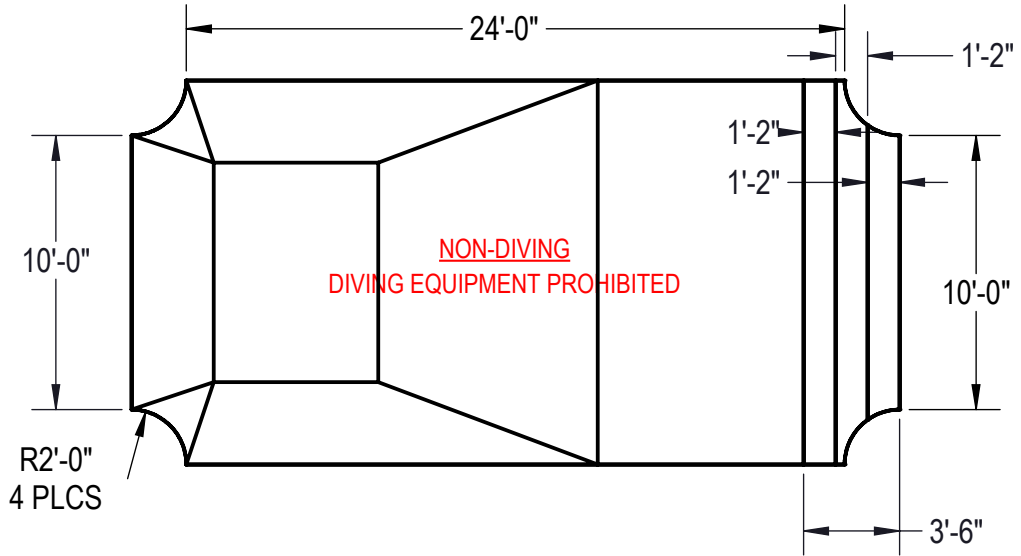
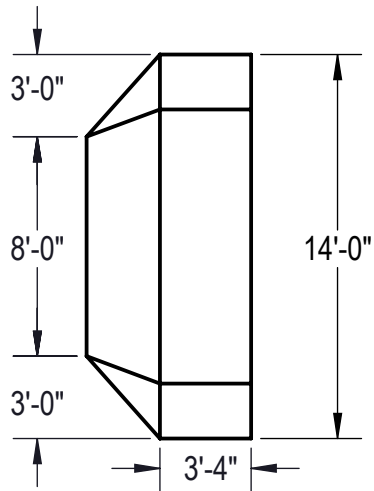
- 1. ROUGH EXCAVATION SHOULD BE 2" DEEPER IN EACH INSTANCE.
- 2. SOIL TO HAVE MINIMUM BEARING CAPACITY OF 1500 PSF.
- 3. LOCATE TOP OF POOL AT LEAST 6" ABOVE THE SURROUNDING LAND ELEVATION.
- 4. SEE "OVER DIG DETAIL" FOR EXCAVATION AROUND POOL.
- 5. FILL VOIDS UNDER BASE OF PANELS AND TAMP WELL.
- 6. BACK FILL WITH NON-EXPANSIVE MATERIAL.
- 7. ANSI / APSP / ICC-5 FOR RESIDENTIAL POOLS, 2003-2007 BOCA CODE SECTION 421.

IMPORTANT NOTES:

THIS DOCUMENT IS FOR ILLUSTRATIVE PURPOSES ONLY. THE DEALER OR CONTRACTOR WHO SELLS OR INSTALLS YOUR POOL IS AN INDEPENDENT CONTRACTOR AND IS NOT AN AGENT OF THE MANUFACTURER. THE CONSTRUCTION METHODS ILLUSTRATED HERE ARE SUGGESTIONS AND APPLY ONLY TO NORMAL GROUND CONDITIONS. THERE MAY BE ADDITIONAL PRECAUTIONS AND/OR METHODS OF CONSTRUCTION. PROPER INSTALLATION IS THE RESPONSIBILITY OF THE DEALER/BUILDER/CONTRACTOR.

ITEM	FILE NAME	DESCRIPTION	CUSTOMER DRAWING #	VENDOR PART #	QTY.
1	PANEL, RR	PANEL, 2' REVERSE RADIUS, 3'-1 3/4" LONG, 600 SERIES	HPSD2RR	00002288	2
2	00008978	STEP, 14', 3 TREAD, 2' REVERSE RADIUS, LINER TRACK	HSS08978		1
3	PANEL, STRAIGHT	PANEL, 8' LONG, 1084, 600 SERIES	HPSD10884	00002006	1
4	PANEL, STRAIGHT	PANEL, 8' LONG, 700 SERIES	HPSE108P	00004961	1
5	PANEL, STRAIGHT	PANEL, 6' LONG, INLET, 600 SERIES	HPSD106I	00000221	1
6	PANEL, STRAIGHT	PANEL, 8' LONG, INLET, 600 SERIES	HPSD108I	00000699	2
7	PANEL, STRAIGHT	PANEL, 6' LONG, 600 SERIES	HPSD106P	00000676	1
8	SBRACE	BRACE, FOLD OVER WITH TURNBUCKLE, STEEL, HPSFOB	HPSFOB	HPSFOB	16
9	BOLT, PACK	BOLT, FLANGE, 3/8-16 X 1", PACK (50)	HPS1916	HPS1916	7
10	PANEL, WEDGE	WEDGE, 2 1/2" X 2 1/2" X 90°	HPSD90C	00000051	4
11	PANEL, STRAIGHT	PANEL, 8' LONG, LIGHT, 600 SERIES	HPSD108L	00000701	1
12	PANEL, STRAIGHT	PANEL, 1' LONG, 600 SERIES	HPSD101P	00000621	2

ENGINEERING DRAWING NUMBER: 00019311	WEIGHT: 110154.1 lbs	UNLESS OTHERWISE SPECIFIED DIMENSIONS ARE IN INCHES TOLERANCES DECIMALS: X ± .1 XX ± .01 XXX ± .001 XXXX ± .0005 ANGULAR: X ± 0.5 THIRD ANGLE PROJECTION	DESIGNED BY: CWHEELER	CREATION DATE: 12/11/14	SAMSON STEEL
	VOLUME: Inch ³		DETAILED BY: CWHEELER	DETAILED DATE: 08/18/17	
	COLOR:		LAST REVISED BY: cwheeler	LAST REVISED DATE: 07/25/18	
	HEAT TREAT:		MATERIAL:	TITLE: LAYOUT, 14' X 28' HAMPTON, 2' RADIUS REVERSE, 6' DEEP, 00008978, 1-LIGHT, 3- INLETS, 1-1084, 600 SERIES	
	FINISH:				
TEXTURE:			PART NUMBER: 00019311	SCALE: 1:72	SIZE: A



Area: 379.43ft ^2
Perimeter: 80.57ft
Volume = 11516 US gallons

NOTES:

1. THESE ARE FINISHED DIMENSIONS READY FOR THE LINER.
2. DIMENSIONS ARE FROM INSIDE POOL PANELS.
3. ROPE AND FLOAT ASSEMBLY SHOULD BE INSTALLED IN ACCORDANCE WITH CURRENT ANSI/ASPS/ICC REGULATIONS
4. HYDRA LINER TRACK FOR STEPS IS INSTALLED WITH THE BARB FACING THE RISER WALL ON THE STEP.

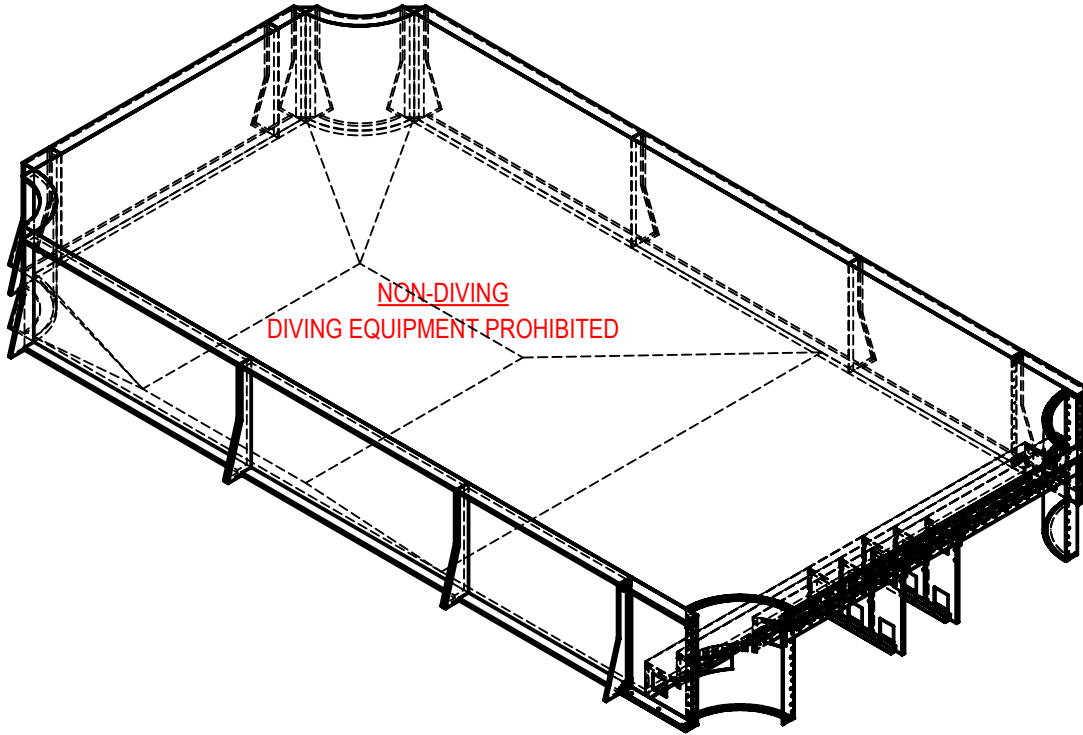
EXCAVATION NOTES:

5. ROUGH EXCAVATION SHOULD BE 2" DEEPER IN EACH INSTANCE.
6. SOIL TO HAVE MINIMUM BEARING CAPACITY OF 1500 PSF.
7. LOCATE TOP OF POOL AT LEAST 6" ABOVE THE SURROUNDING LAND ELEVATION.
8. SEE "OVER DIG DETAIL" FOR EXCAVATION AROUND POOL.
9. FILL VOIDS UNDER BASE OF PANELS AND TAMP WELL.
10. BACK FILL WITH NON-EXPANSIVE MATERIAL.
11. FOLLOW ALL CURRENT ANSI / APSP / ICC GUIDELINES FOR RESIDENTIAL POOLS


IMPORTANT NOTES:

THIS DOCUMENT IS FOR ILLUSTRATIVE PURPOSES ONLY. THE DEALER OR CONTRACTOR WHO SELLS OR INSTALLS YOUR POOL IS AN INDEPENDENT CONTRACTOR AND IS NOT AN AGENT OF THE MANUFACTURER. THE CONSTRUCTION METHODS ILLUSTRATED HERE ARE SUGGESTIONS AND APPLY ONLY TO NORMAL GROUND CONDITIONS. THERE MAY BE ADDITIONAL PRECAUTIONS AND/OR METHODS OF CONSTRUCTION. PROPER INSTALLATION IS THE RESPONSIBILITY OF THE DEALER/BUILDER/CONTRACTOR.

ENGINEERING DRAWING NUMBER: 00019311	WEIGHT: lbs	UNLESS OTHERWISE SPECIFIED DIMENSIONS ARE IN INCHES TOLERANCES DECIMALS: X ± .1 XX ± .01 XXX ± .001 XXXX ± .0005 ANGULAR: X ± 0.5 THIRD ANGLE PROJECTION	DESIGNED BY: CWHEELER	CREATION DATE: 04/16/13	SAMSON STEEL
	VOLUME: Inch ³		DETAILED BY: CWHEELER	DETAILED DATE: 08/18/17	
	COLOR: NA		LAST REVISED BY: cwheeler	LAST REVISED DATE: 07/25/18	TITLE: LAYOUT, 14' X 28' HAMPTON, 2' RADIUS REVERSE, 6' DEEP, 00008978, 1-LIGHT, 3- INLETS, 1-1084, 600 SERIES
	HEAT TREAT: NA		MATERIAL:		
	FINISH: NA		PART NUMBER: 00019311		
TEXTURE: NA			SHEET: 2 OF 3		



**NON-DIVING
DIVING EQUIPMENT PROHIBITED**

ENGINEERING DRAWING NUMBER: 00019311	WEIGHT: 110154.1 lbs	UNLESS OTHERWISE SPECIFIED DIMENSIONS ARE IN INCHES TOLERANCES DECIMALS: X ± .1 XX ± .01 XXX ± .001 XXXX ± .0005 ANGULAR: X ± 0.5 THIRD ANGLE PROJECTION 	DESIGNED BY: CWHEELER	CREATION DATE: 12/11/14	SAMSON STEEL	
	VOLUME: Inch ³		DETAILED BY: CWHEELER	DETAILED DATE: 08/18/17		
	COLOR:		LAST REVISED BY: cwheeler	LAST REVISED DATE: 07/25/18		
	HEAT TREAT:		MATERIAL:		TITLE: LAYOUT, 14' X 28' HAMPTON, 2' RADIUS REVERSE, 6' DEEP, 00008978, 1-LIGHT, 3- INLETS, 1-1084, 600 SERIES	
	FINISH:		PART NUMBER:		00019311	
	TEXTURE:		SCALE: 1:60 SHEET: 3 OF 3			
				A		