

## Pool Breakdown

# Martinique 30' Round 52"

### NB2617

<p><b><u>FEATURES:</u></b>  Round  Size: 30'  Depth: 52"  25 Year Warranty</p>	<p><b><u>STRUCTURE COMPOSITION:</u></b>  Rugged Steel Frame  Polymer Seat Caps  Protective Wall Coatings</p>
--	--

	Qty	Carton #	Carton Content Description
<input type="checkbox"/>	1	<b>3052-7HN-EX-2</b>	MARTINIQUE – 7 INCH TOP SEAT, 7 INCH VERTICAL, INSTRUCTIONS, PAPERWORK
<input type="checkbox"/>	1	<b>30-7P-EX-3</b>	MARTINIQUE – 7 INCH JOINT, 7 INCH SEAT COVER, 7 INCH SEAT COVER BRACKET, SEAT COVER ASSEMBLY BOLT PACKAGE
<input type="checkbox"/>	1	<b>30-5/8 RAIL-2</b>	MARTINIQUE – 5/8 INCH RAIL
<input type="checkbox"/>	1	<b>3052-TRG-W/WALL</b>	MARTINIQUE – WALL (TOURING GRAY), PLASTIC EDGING, 52" WALL JOINT PACKAGE

# Carton Breakdown

## Martinique 30' Round 52"

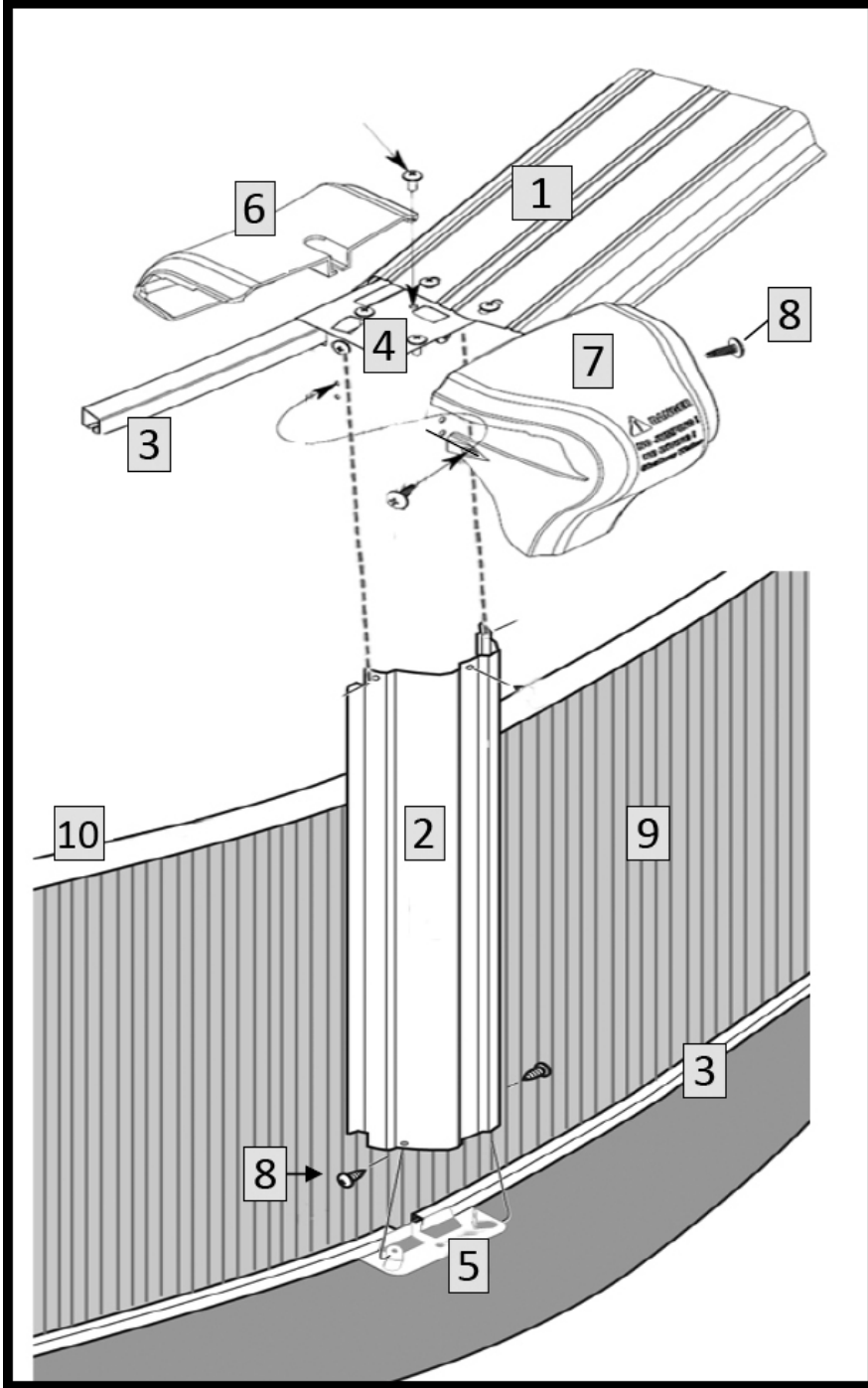
### NB2617

Key #	Qty	Item #	Mfg Part #	Part Description	
<b>FRAME CARTON # 3052-7HN-EX-2</b>					
<input type="checkbox"/>	1	20	NBP1050	1174EX	7in Top Seat L=1444 (56-7/8") 15ft
<input type="checkbox"/>	2	20	NBP1053	2374EX	7in Vertical (52" High)
<input type="checkbox"/>	---	1	-----	0022	Warranty
<input type="checkbox"/>	---	1	-----	0023	Safety Decals
<input type="checkbox"/>	---	1	-----	0024	Parts List + Frame Instruction
<input type="checkbox"/>	---	1	-----	0025	Safety Booklet
<input type="checkbox"/>	---	1	-----	0001	Round Instruction Manual
<b>FRAME CARTON # 30-5/8 RAIL-2</b>					
<input type="checkbox"/>	3	40	NBP1108	1630	5/8in Rail L=1431mm (56-3/8")
<b>FRAME CARTON # 30-7P-EX-3</b>					
<input type="checkbox"/>	4	20	NBP1061	2176	7in Resin Joint - Upper
<input type="checkbox"/>	5	20	NBP1062	2276	7in Resin Joint - Lower
<input type="checkbox"/>	6	20	NBP1064	2475EX	7in Seat Cover - Inside
<input type="checkbox"/>	7	20	NBP1065	2476EX	7in Seat Cover - Outside
<b>Seat Cover Assembly Bolt Package (Part # 3318 / Order # NBP1032)</b>					
<input type="checkbox"/>	8	240	NBP1032	0341*	#12 Sheet Metal Screw
<input type="checkbox"/>	8	20	NBP1032	2402*	Resin Seat Cover Cap
<b>WALL CARTON # 3052-TRG-W/WALL</b>					
<input type="checkbox"/>	9	1	PC5384	52" Wall	Touring Gray Wall
<input type="checkbox"/>	10	22	NL107	8100	Plastic Edging
<b>52" Wall Joint Bolt Package (Part # 0113, Order # NBP1021)</b>					
<input type="checkbox"/>	---	26	NBP1021	0513*	1/4" x 1/2" Truss Head Screw
<input type="checkbox"/>	---	51	NBP1021	0411*	1/4" Reinforcing Washer
<input type="checkbox"/>	---	26	NBP1021	0611*	1/4" Nut

\*These part #'s are not available to purchase separately. They must be purchased as part of corresponding Bolt Package.

# Martinique 30' Round 52"

NB2617



Key #	Part Description	Item #
1	Top Seat	NBP1050
2	7in Vertical	NBP1053
3	5/8in Rail	NBP1108
4	7in Resin Joint - Upper	NBP1061
5	7in Resin Joint - Lower	NBP1062
6	7in Seat Cover - Inside	NBP1064
7	7in Seat Cover - Outside	NBP1065
8	Assembly Hrdwr.	NBP1032
9	Wall	PC5384
---	Wall Joint Hrdwr.	NBP1021
10	Plastic Edging	NL107