



## ROCKSOLID® SINGLE POST ANCHOR

### INSTALLATION INSTRUCTIONS



**YOU MUST USE THE ANCHOR SET TOOL (PART #27-109)  
TO INSURE PROPER INSTALLATION**

SRS AUSTRALIA, PTY LTD  
12 Enterprise St  
Richlands QLD 4077  
Australia  
Phone 07 3812 2283 • Fax 07 3812 1187  
[www.srsmith.com/au](http://www.srsmith.com/au)

**S.R. SMITH, LLC**  
CORPORATE HEADQUARTERS  
P.O. Box 400 • 1017 S.W. Berg Parkway  
Canby, Oregon 97013  
USA  
Phone (503) 266 2231 • Fax (503) 266 4334  
[www.srsmith.com](http://www.srsmith.com)

## INTRODUCTION

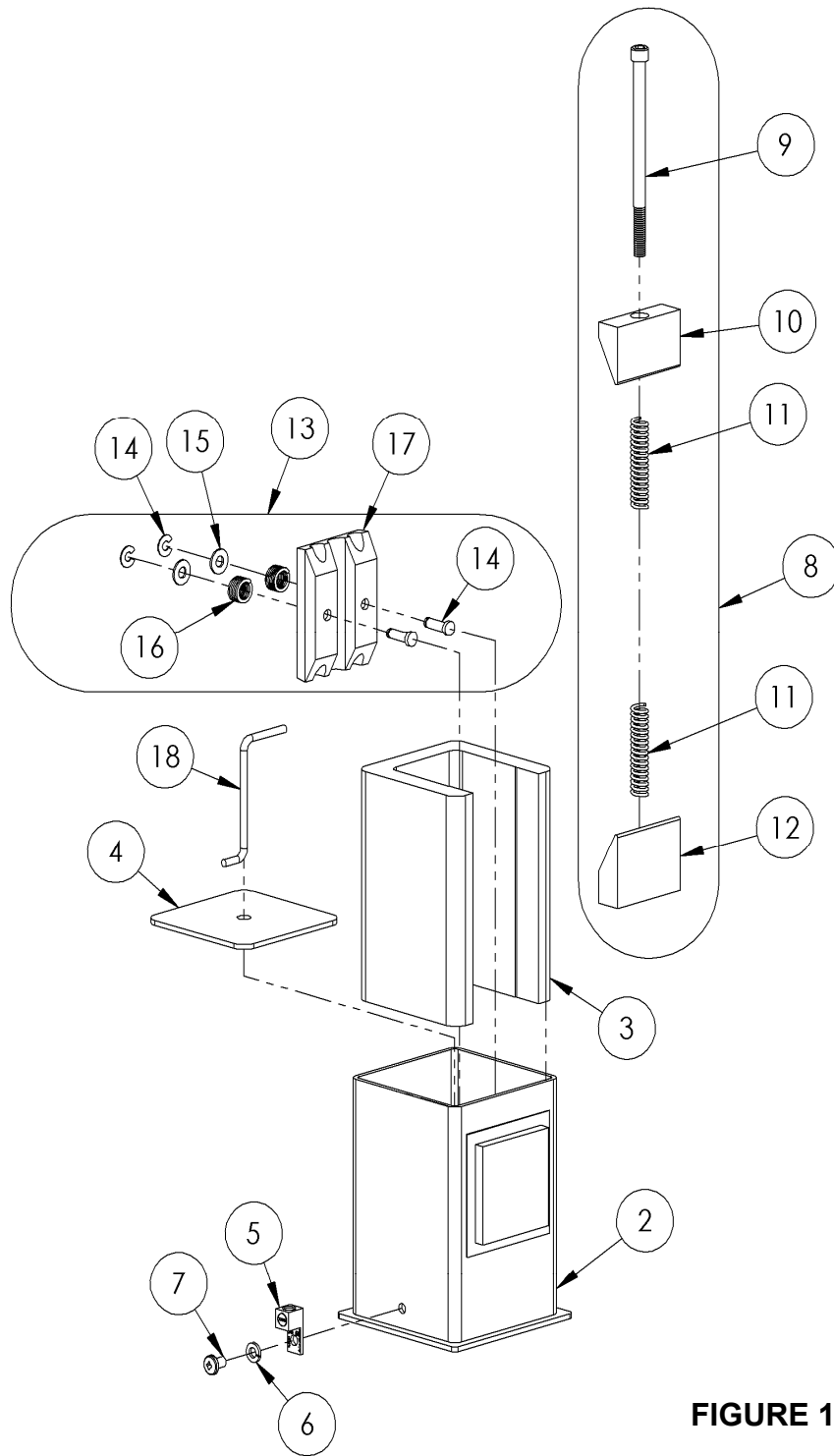
The RockSolid® Single Post Anchor is designed for use on competitive or municipal pools. Proper installation, use and maintenance are essential for proper operation and to reduce the risk of accident or injury.

### **\*\*\*IMPORTANT\*\*\***

Check entire box and inside all packing materials for parts. Before beginning assembly, read the instructions and identify parts using the figures and parts listed below. It is critical that all parts be carefully inspected by the installer prior to installation to ensure no damage occurred in transit and that a damaged part is not used. Proper installation cannot be overstressed, as an improper installation voids S.R.Smith's warranty and may affect the safety of the user.

## ADJUSTABLE SINGLE POST ANCHOR PARTS LIST

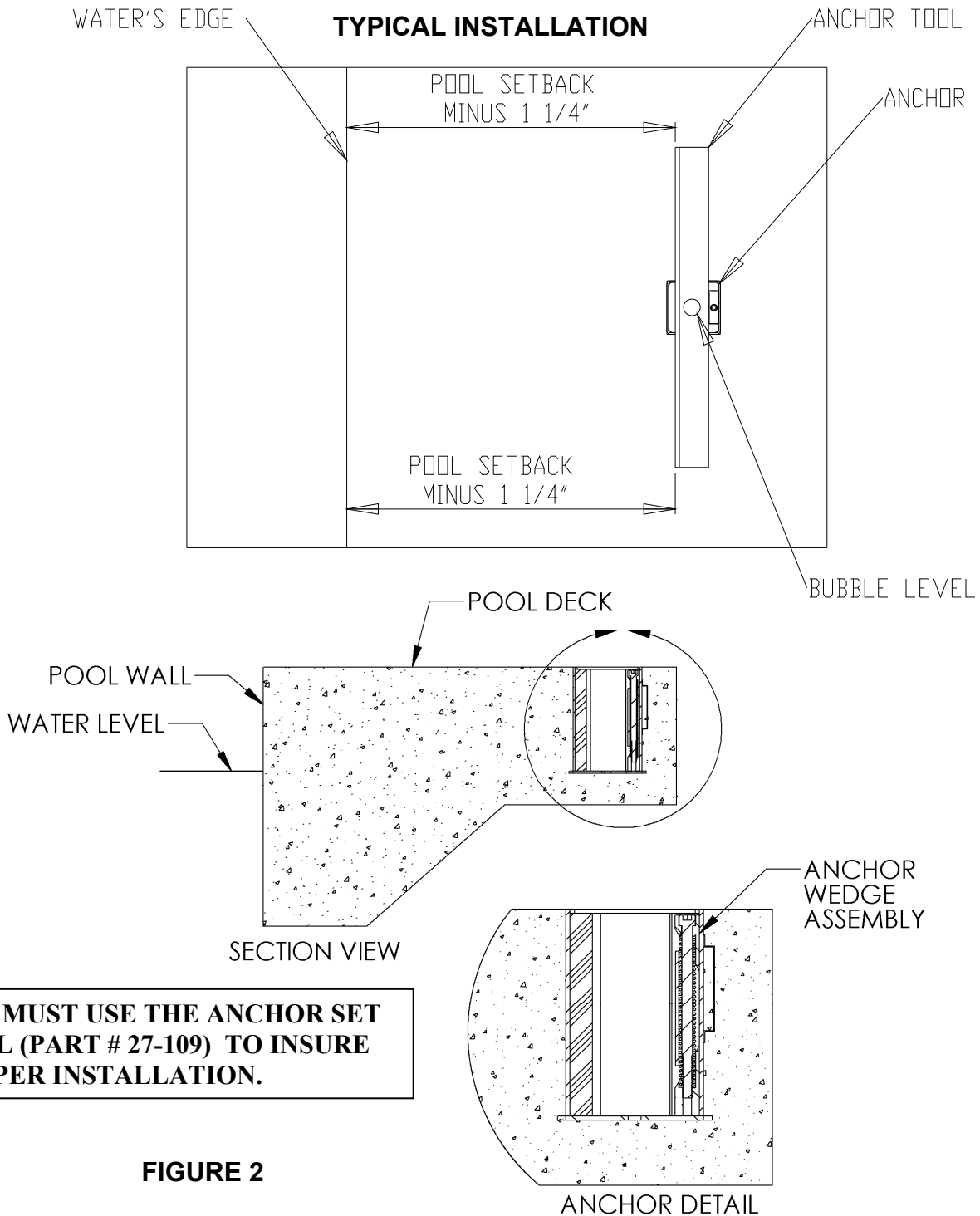
ITEM NO.	QTY.	PART NO.	DESCRIPTION
1	Shipped with Order	27-109	ANCHOR SET TOOL
2	1	20-139	ANCHOR HOUSING
3	1	4-602	ANCHOR INSERT, SINGLE POST
4	1	4-113-1	ANCHOR CAP, SINGLE POST
5	1	5-404	GROUND LUG, KPA-4C
6	1	5-149	LOCK WASHER, 1/4", SPLIT, S/S
7	1	5-133	SCREW, 1/4-20 X 3/8 PHILLIPS, S/S
8	-	20-241	TOP/BTM WEDGE ASM SINGLE POST BRASS
9	1	5-168	5/16-18 X 5, SCH CAP SCREW S/S
10	1	8-131	TOP WEDGE-SINGLE POST BRASS
11	2	5-197	COMPRESSION SPRING
12	1	8-408	BOTTOM WEDGE-SINGLE POST BRASS
13	-	20-240	MIDDLE WEDGE ASM SINGLE POST BRASS
14	2	5-101	CLEVIS PIN, 1/4" X 3/4", S/S GROOVED
15	2	5-159	1/4" FLAT WASHER 316 S/S
16	2	5-198	WAVE SPRING S/S
17	1	4-411	MIDDLE WEDGE SINGLE POST BRASS
18	1	5-215-1	ANCHOR LID TOOL S/S



**FIGURE 1**

# PLACEMENT INSTRUCTIONS

THE ANCHOR NEEDS TO BE PROPERLY POSITIONED SO THE 24-INCH WIDE PLATFORM WILL BE ALIGNED TO THE POOL EDGE ON EACH SIDE. S.R.SMITH PROVIDES AN ANCHOR SET TOOL (PART #27-109) TO HELP DURING THE INSTALLATION. POSITION THE TOP OF THE ANCHOR BODY FLUSH WITH THE POOL DECK. YOU MUST USE THE ANCHOR SET TOOL TO INSURE PROPER INSTALLATION. The adjustable anchor can be installed in an existing pool deck or set when pouring a new concrete deck. Place the anchor on-center of each diving lane wherever a starting platform will be installed.

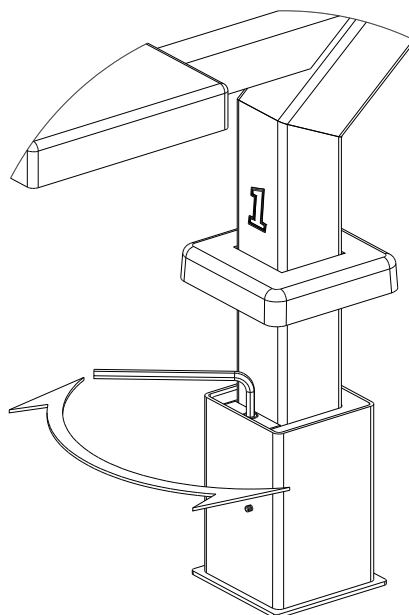


**YOU MUST USE THE ANCHOR SET TOOL (PART # 27-109) TO INSURE PROPER INSTALLATION.**

**FIGURE 2**

## ROCKSOLID ANCHOR INSTALLATION

1. The RockSolid anchor should be installed in the orientation shown in **FIGURE 2**. The side of the anchor that contains the wedge should be oriented such that it is parallel to, and furthest away from, the pool wall. The hole in the bottom of the anchor can be covered during installation to prevent concrete/epoxy from entering the anchor, but needs to be clear during use to allow for the anchor to drain.
2. The setback for the anchor must be positioned using the correct distance from the pool wall and with at least 6" from any control joint or edge of concrete slab. The correct setback distance depends on the starting block. With the S.R. Smith Anchor Set Tool (Part Number 27-109) it is important to subtract 1 ¼" (32mm) from the correct setback distance because the tool measures from the front of the post and the setback is taken from the center of the post. For example, if you are installing an anchor for a starting block with a 26" (664mm) setback you measure 24 ¾" (629mm) to the front of the Anchor Set Tool on either side. See sign-off drawing for correct setback distances for your particular block installation.
3. If installing the RockSolid anchor into an existing deck, core drill at least a 6.5" (165mm) diameter hole at the chosen location for each anchor. For new construction the anchor must be braced so it does not move from its fixed position during pouring of the deck.
4. Properly ground the anchor socket using the attached grounding lug and the appropriate grounding wire per local codes. If electrical bonding is required by the local governmental regulations, it shall be done in accordance with Article No. 680 of the current National Electrical Code or the local code whichever is greater.
5. Align the anchor so that the side of the anchor that contains the wedge is oriented parallel to, and furthest away from the pool wall. Make sure the top of the anchor is flush with the pool deck and that the anchor is level and plumb.
6. With the anchor completely checked for level and plumb in the selected position, pour hydraulic cement or high strength epoxy into the hole making sure there are no void spaces if installing in an existing deck. For new construction, ensure that the anchor is in its proper location and square to the pool wall before pouring concrete.
7. Let cement/epoxy cure for 24 hours (or per minimum manufacturer's recommendations) before installing the starting platform in the anchor.



**FIGURE 3**

## STARTING PLATFORM INSTALLATION AND REMOVAL:

When placing a starting platform into an anchor it's important to follow these simple instructions.

1. Loosen bolt using a ¼" ALLEN wrench, turning wrench in a counter-clockwise direction as seen from looking down. See **FIGURE 3**.
2. Make sure that the opening size directly adjacent to anchor bolt is between 2-9/16" (65mm) and 2-5/8" (66.7mm) wide. **The opening in this direction should never exceed 2-5/8" (66.7mm) or the anchor will disassemble!**
3. Place escutcheon over starting platform frame post orienting as shown in **FIGURE 3**.
4. Place starting platform into anchor making sure that the platform frame rests completely on the bottom of the anchor and the forward edge of the starting platform faces the pool edge.
5. Tighten ALLEN wrench in the clockwise direction until anchor wedge contacts the starting platform frame and no forward or backward motion can be felt. When tightening anchor wedge, never exceed 8 Ft-Lbs of torque. Anchor bolt should be snug, but never over tightened.
6. To remove starting platform, lift escutcheon, insert ALLEN wrench into anchor bolt and turn counter-clockwise two (2) full turns. Lift and remove starting platform. DO NOT continue to loosen anchor bolt or remove anchor bolt for any reason.

### SAFETY & MAINTENANCE INSTRUCTIONS

- **Execute shallow racing dives only.**
- For use by trained competitive swimmers only.
- Periodically inspect the RockSolid Anchor to assure there are no worn parts and that all hardware is properly tightened.
- All stainless steel parts require periodic maintenance. Cleaning with a cotton cloth and a Windex-type product maintains the finish.
- Keep anchor covered when not in use and make sure the anchor cavity remains clean and free of obstructions.