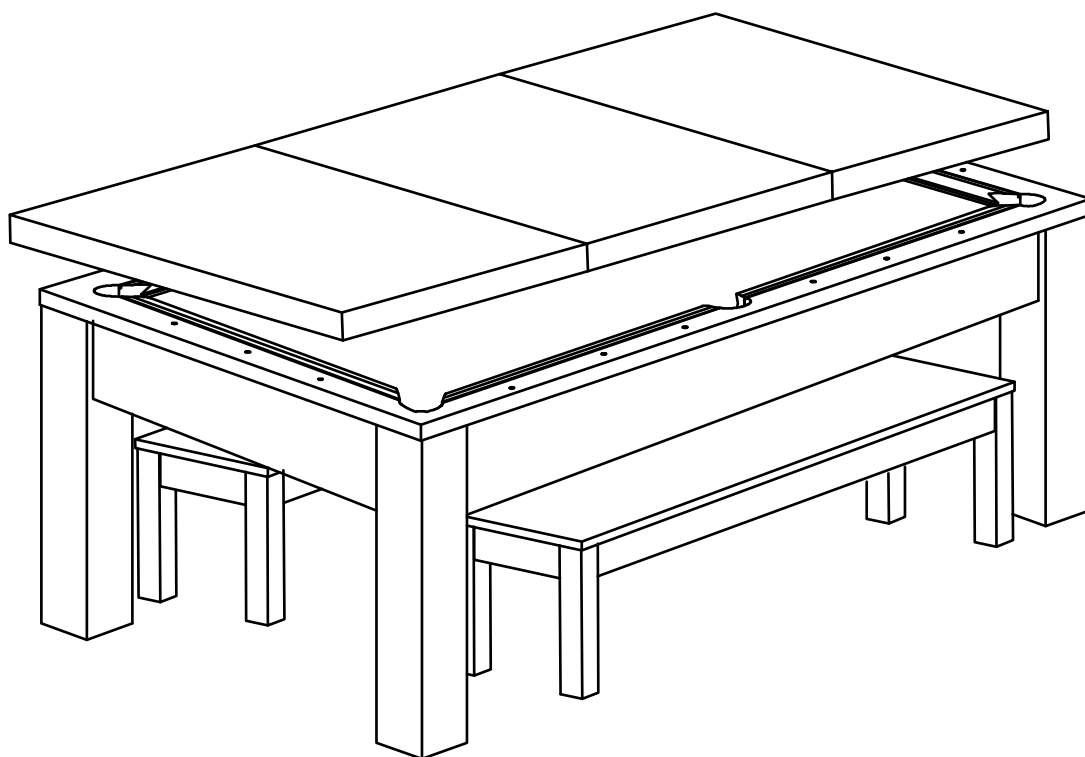


CHAMBERLAIN GAME TABLES

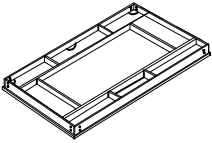

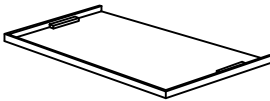
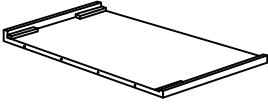
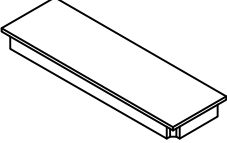

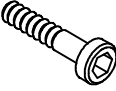
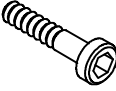



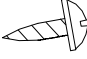

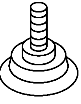
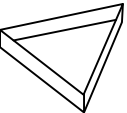
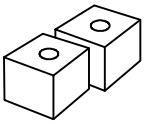
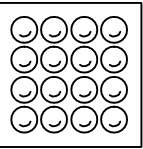

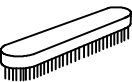
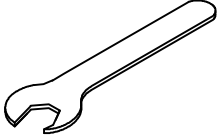

ASSEMBLY INSTRUCTIONS FOR

"SMOKY MOUNTAIN COMBO"
7' WD COMBO W/BEN AND TOP

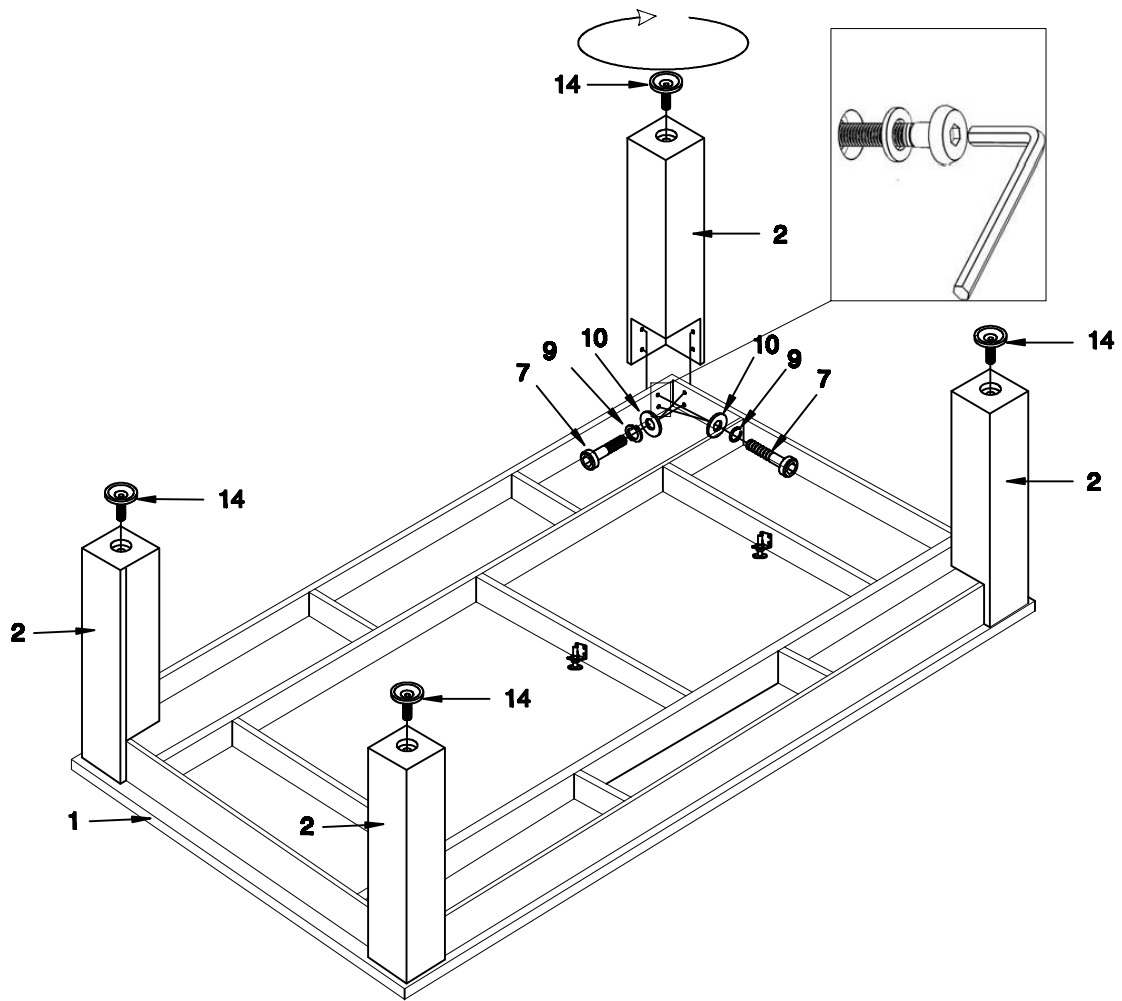


PG-4070

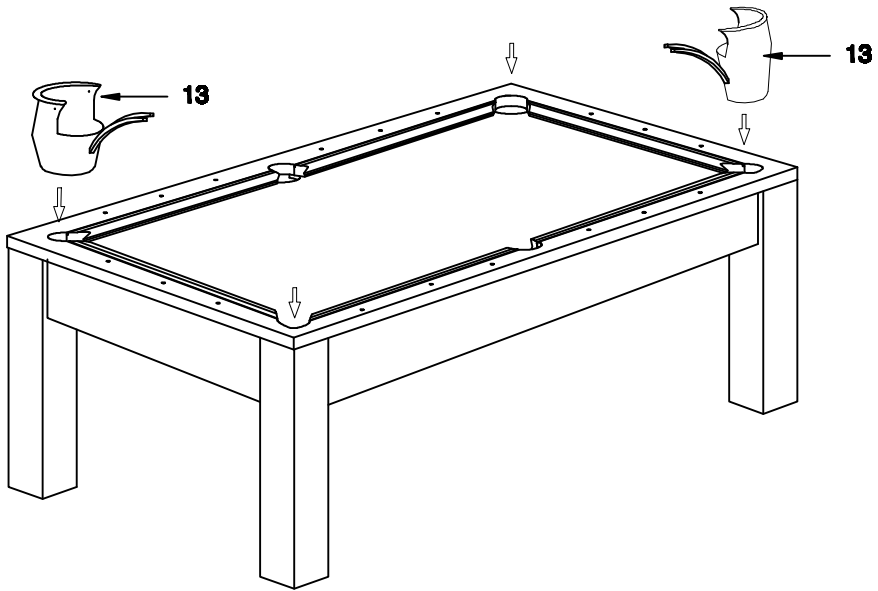
Parts List

| | | | |
|--|---|--|--|
| <p>#1</p>  <p>Main frame 1 piece</p> | <p>#2</p>  <p>Leg 4 pieces</p> | <p>#3</p>  <p>Desktop(A) 2 pieces</p> | <p>#4</p>  <p>Desktop(B) 1 piece</p> |
| <p>#5</p>  <p>Main frame 2 pieces</p> | <p>#6</p>  <p>Leg 8 pieces</p> | <p>#7</p>  <p>5/16\"X1-1/8\" Bolt 16 pieces</p> | <p>#8</p>  <p>5/16\"X1-1/2\" Bolt 16 pieces</p> |
| <p>#9</p>  <p>5/16\" Washer 32 pieces</p> | <p>#10</p>  <p>5/16\" Washer 32 pieces</p> | <p>#11</p>  <p>F3X3/4\" 8 pieces</p> | <p>#12</p>  <p>T3.5X3/4\" 8 pieces</p> |
| <p>#13</p>  <p>Basket 4 pieces</p> | <p>#14</p>  <p>Leg leveler 12 pieces</p> | <p>#15</p>  <p>Triangle 1 piece</p> | <p>#16</p>  <p>Chalk 2 pieces</p> |
| <p>#17</p>  <p>Billiard balls 1 set</p> | <p>#18</p>  <p>Cue stick 2 pieces</p> | <p>#19</p>  <p>Brush 1 piece</p> | <p>#20</p>  <p>Wrench 1 piece</p> |
| <p>#21</p>  <p>Allen key 1 piece</p> | | | |

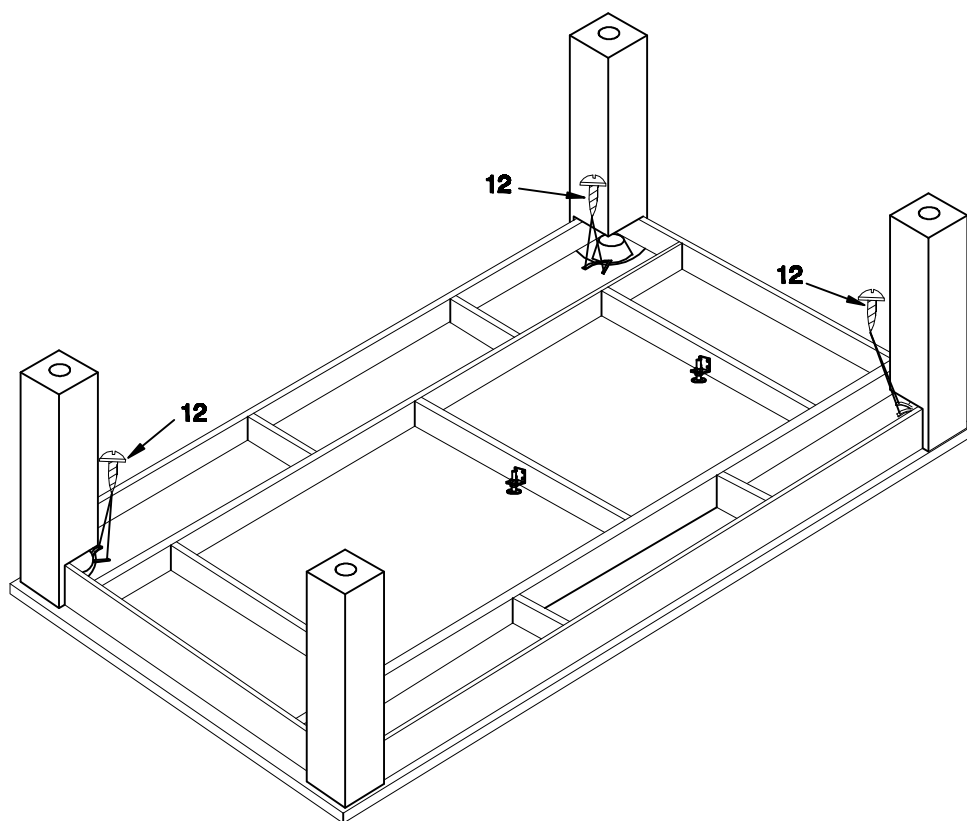
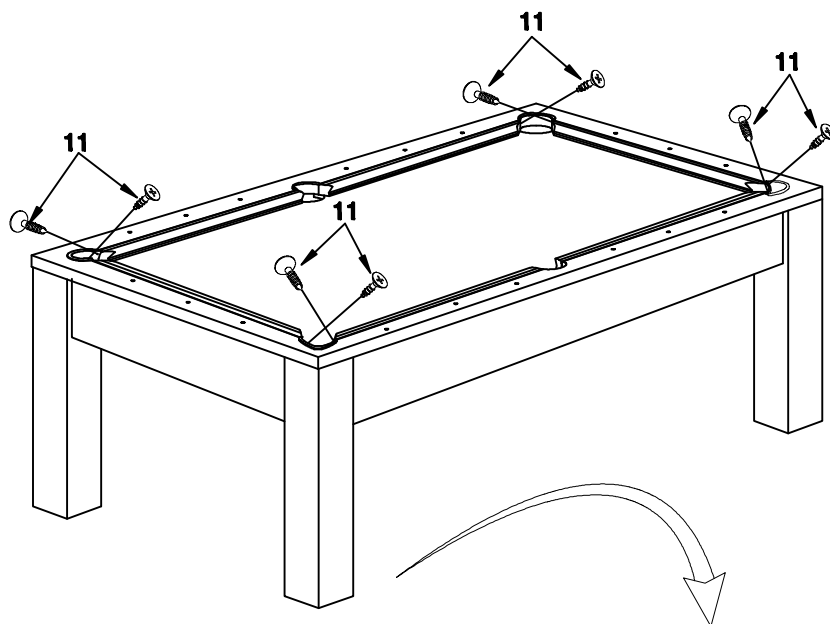
Step 1:



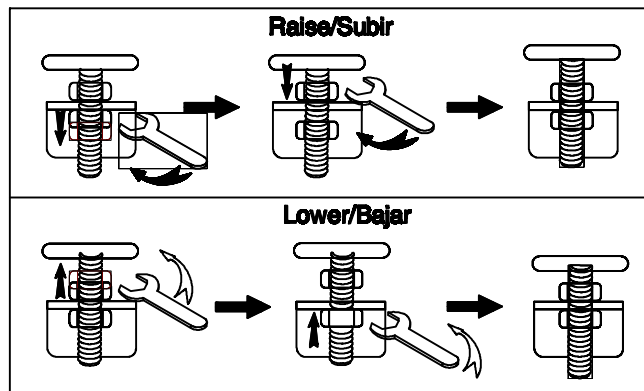
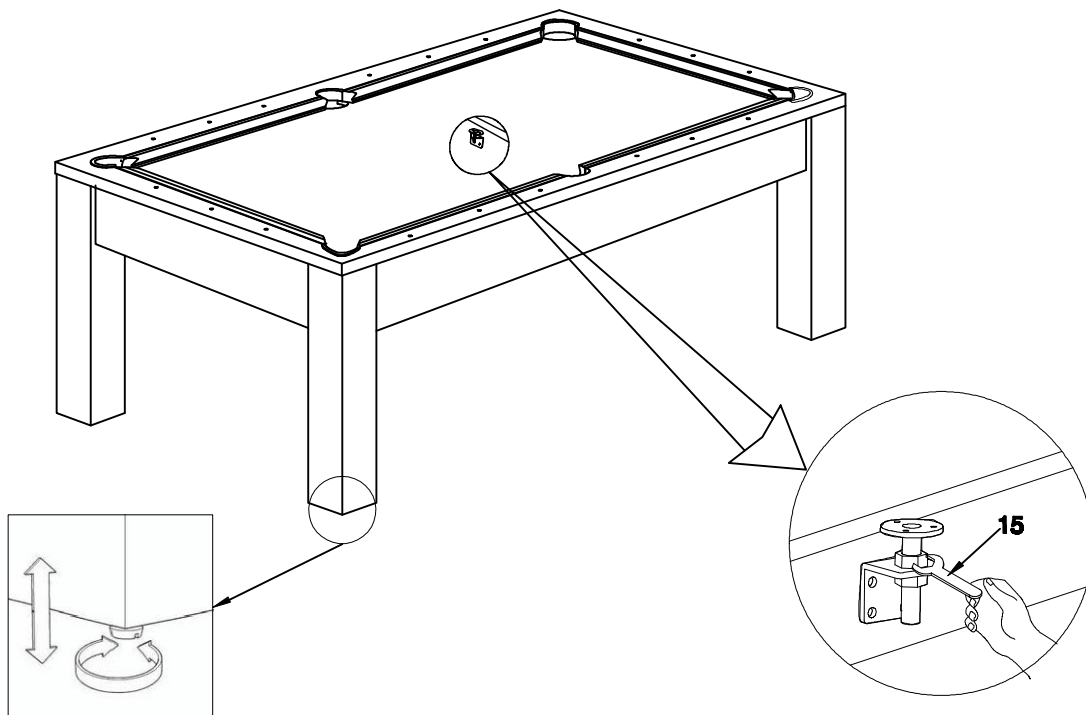
Step 2:



Step 3:



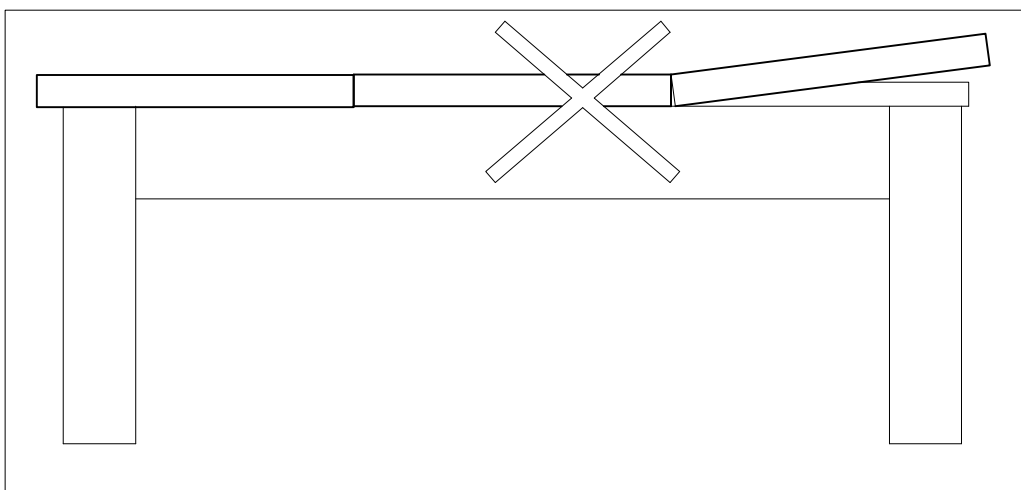
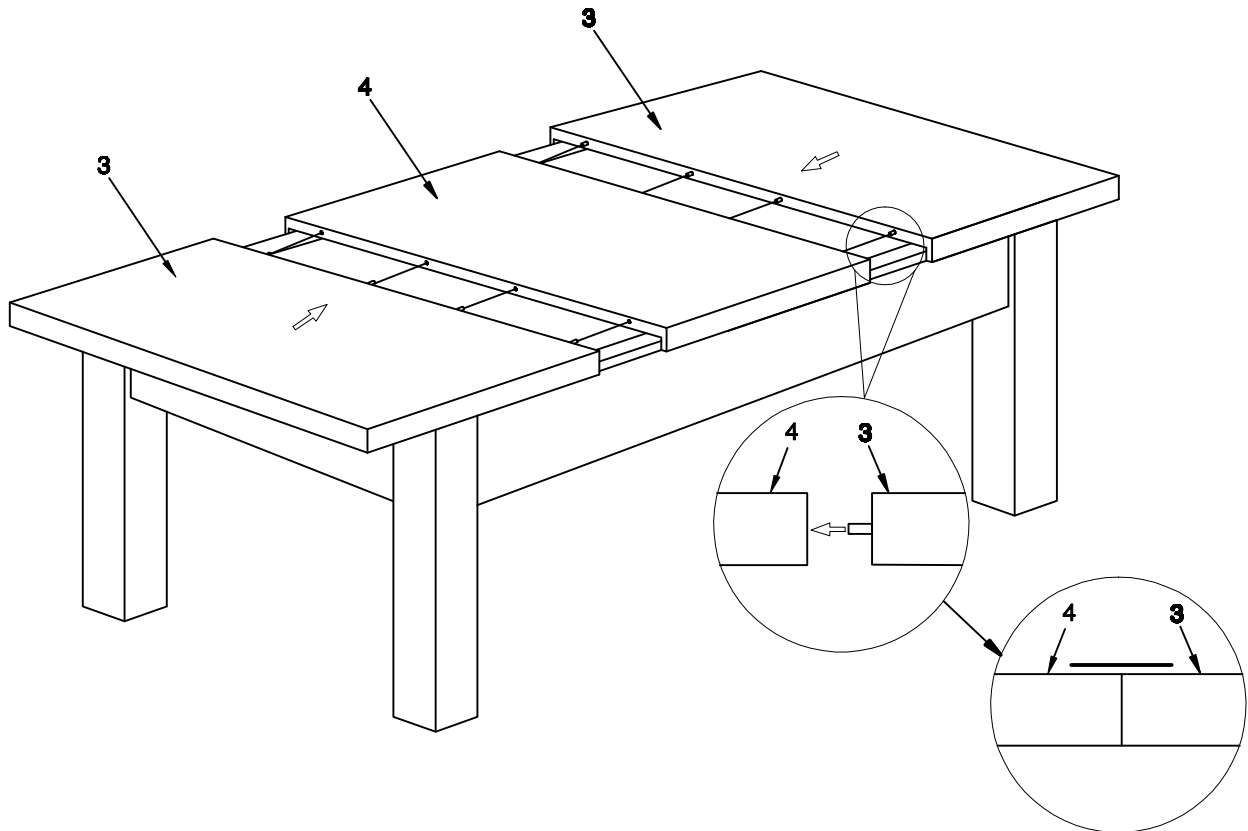
Step 4:



Step 5:

Steps to prevent table surface damage :

- 1.Center 4# position
- 2.Push inner 3# based on 4#,push 4# into copper tenon holes,push 2pcs pannels Be flush.
- 3.Other 2 pcs 3# push way same as step 2.
- 4.Installed well table surface when the movement,don't up or down to move, so that coper tenon damage panel.Don't push left or right, so that damage table surface.



Step 6:

