

15" SIGNATURE SERIES WINE RESERVE

HP15WS-3 15" INDOOR MODEL
HP15WO-3 15" OUTDOOR MODEL



Glass Door Model



Solid Door Model

GENERAL SIGNATURE SERIES FEATURES



- **Industry Exclusive** front-vented RAPIDcool forced-air refrigeration system provides best-in-class cooling performance
- Commercial-grade stainless steel interior and exterior
- All models available with stainless steel or panel ready door. Panel ready doors come ready to accept customer-supplied overlay and handle
- Full extension wine shelves provide easy access for stocking and retrieving product. Shelves glide smoothly in and out of cabinet on stainless steel ball bearing glides
- Zero-clearance hinging allows for abutment with surrounding cabinetry
- Adjustable Crisp White and Cool Blue LED lighting
- Low E, double pane UV-resistant glass provides exceptional insulation and protection from light
- State-of-the-art digital control module
- Comprehensive Full Three Year Warranty plus additional three years on sealed system

HP15WS/WO FEATURES

- Available with stainless steel solid door, panel ready solid door, stainless steel glass door or panel ready glass door
- Includes five (5) full extension wine shelves
- Wine shelves feature stainless steel fronts
- Shelves are soft-coat vinyl dipped to gently cradle bottles and protect them from vibration transfer
- Product capacity is 20 wine bottles
- Wine Reserve temperature 45° - 65°F

ACCESSORIES

(L)	Factory Installed Lock
67990-L/R	Stacking Kit for HP15 models
66736-15	Caster Kit for HP15 models
67115-15	Wood Faces for Wine Shelves (5/pk)

Perlick accessories are available for purchase through an authorized Perlick dealer. For a full list of accessories and to find a dealer near you, visit perlick.com/residential

PRODUCT SPECIFICATIONS

Product Width	14-7/8" (378 mm.)
Product Height	34-1/4" (870 mm.)
Product Depth	24" (610 mm.)
Opening Width	15" (381 mm.)
Opening Height	34-1/2" (876 mm.)
Opening Depth**	24-7/8" (632 mm.)
Refrigerated Volume	2.8 cu. ft.
Door Swing Clearance	16" (406 mm.) minimum
Electrical	115V, 60Hz., 1 Phase, 2.3 amps
Compressor	525 BTU, standard
Plumbing	None Required
Annual Energy Usage	N/A
Shipping Weight	175 lbs (79.38 kg)

** Includes 7/8" plug clearance. To achieve 24" depth, you must recess the plug into the wall directly behind the unit.

INDOOR MODELS

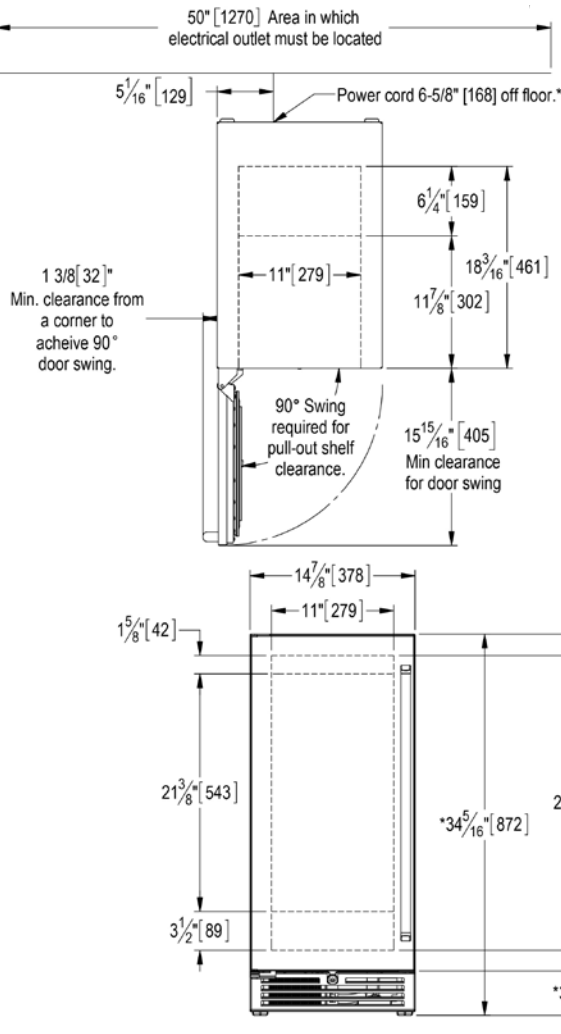
HP15WS-3-1L*	Stainless steel solid door, hinge left
HP15WS-3-2L*†	Panel ready solid door, hinge left
HP15WS-3-3L*	Stainless steel glass door, hinge left
HP15WS-3-4L*†	Panel ready glass door, hinge left

OUTDOOR MODELS

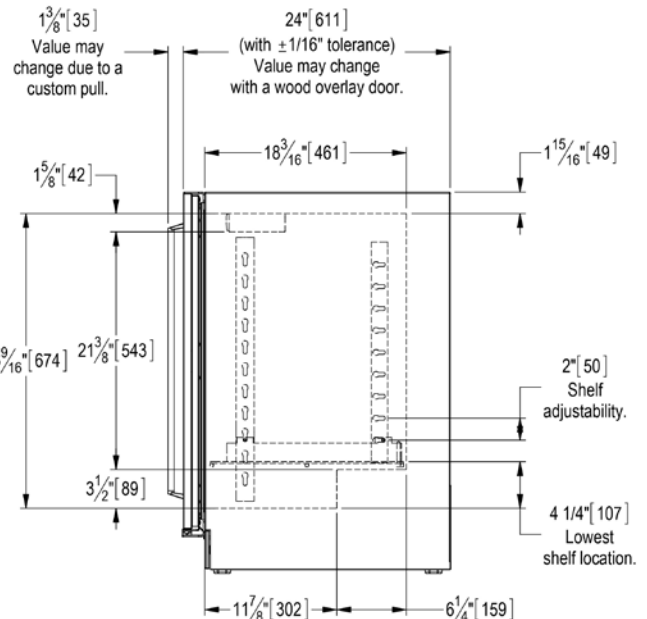
HP15WO-3-1L*	Stainless steel solid door, hinge left
HP15WO-3-2L*†	Panel ready solid door, hinge left
HP15WO-3-3L*	Stainless steel glass door, hinge left
HP15WO-3-4L*†	Panel ready glass door, hinge left

* Also available hinge right (R)

† This unit comes ready to accept customer-provided overlay panel and handle



* - Leg leveler can add 3/4" [19] to these dimensions when fully extended.



California Prop 65 Notice:

WARNING: The materials used in this product may contain chemicals known to the State of California to cause cancer and birth defects or other reproductive harm. For more information go to www.P65Warnings.ca.gov.

FORM NO. Z2532
REV. A-09/07/2018