

24" SIGNATURE SERIES DUAL-ZONE FREEZER/REFRIGERATOR DRAWERS

HP24ZS-3 24" INDOOR MODEL
HP24ZO-3 24" OUTDOOR MODEL



Drawer Model



GENERAL SIGNATURE SERIES FEATURES

- **Industry Exclusive** front-vented RAPIDcool forced-air refrigeration system provides best-in-class cooling performance
- Powerful yet efficient 995 BTU variable-speed compressor ramps up to quickly bring down temperature of room temperature product
- **Industry Exclusive** two independently-controlled temperature zones allow you to store wine and beverages together
- Commercial-grade stainless steel interior and exterior
- All models available with stainless steel or panel ready drawers. Panel ready doors come ready to accept customer-supplied overlay and handles
- Drawers feature self-closing slides
- Adjustable Crisp White and Cool Blue LED lighting
- State-of-the-art digital control module
- Comprehensive Full Three Year Warranty plus additional three years on sealed system

HP24ZS/ZO FEATURES

- Available with stainless steel drawers or panel ready drawers
- Freezer equipped with automatic hot gas defrost for maintenance-free defrosting
- Drawers are full-extension for easy stocking and access to goods
- Freezer (lower) drawer temperature -10° - 10°F
- Refrigerator (upper) drawer temperature 30°F - 42°F

ACCESSORIES

(L)	Factory Installed Lock
67991-L/R	Stacking Kit for HP24/HC24/HA24 models
66736	Caster Kit for HP24/HC24/HA24 models
RK24DP	Drawer Pan Tray (3 SS pans with covers)

Perlick accessories are available for purchase through an authorized Perlick dealer. For a full list of accessories and to find a dealer near you, visit perlick.com/residential

PRODUCT SPECIFICATIONS

Product Width	23-7/8" (606 mm.)
Product Height	34-1/4" (870 mm.)
Product Depth	24" (610 mm.)
Opening Width	24" (610 mm.)
Opening Height	34-1/2" (876 mm.)
Opening Depth**	24-7/8" (632 mm.)
Refrigerated Volume	5.0 cu. ft.
Door Swing Clearance	18-1/4" (464 mm.) minimum
Electrical	115V, 60Hz., 1 Phase, 2.3 amps
Compressor	995 BTU, variable-speed
Plumbing	None Required
Annual Energy Usage	415 kWh/yr
Shipping Weight	191 lbs (100.70 kg.)

** Includes 7/8" plug clearance. To achieve 24" depth, you must recess the plug into the wall directly behind the unit.

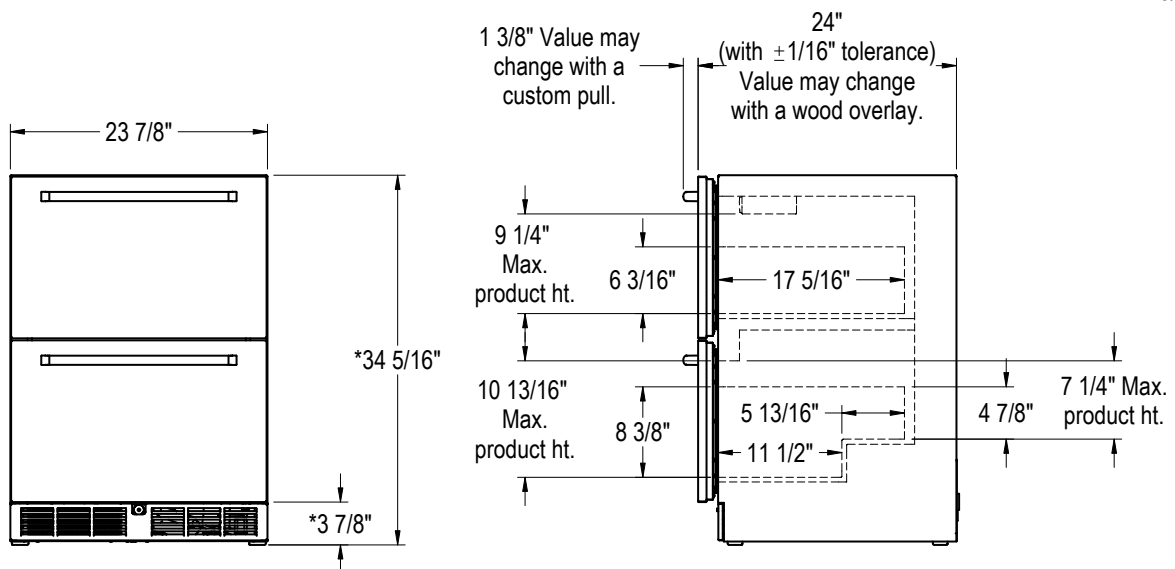
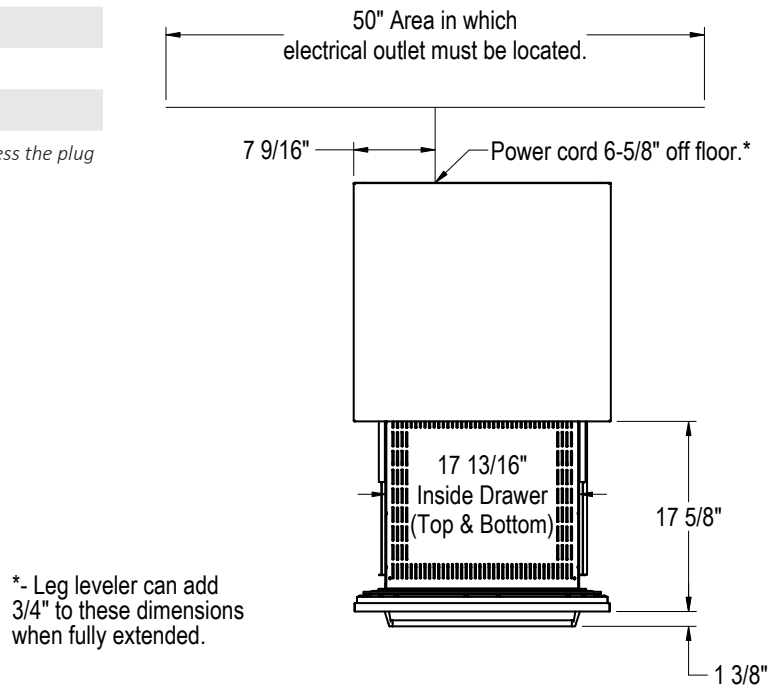
INDOOR MODELS

HP24ZS-3-5	Stainless steel drawers
HP24ZS-3-6†	Panel ready drawers

OUTDOOR MODELS

HP24ZO-3-5	Stainless steel drawers
HP24ZO-3-6†	Panel ready drawers

† This unit comes ready to accept customer-provided overlay panel and handle



California Prop 65 Notice:

WARNING: The materials used in this product may contain chemicals known to the State of California to cause cancer and birth defects or other reproductive harm. For more information go to www.P65Warnings.ca.gov.

FORM NO. Z2543
REV. A-07/29/2020