

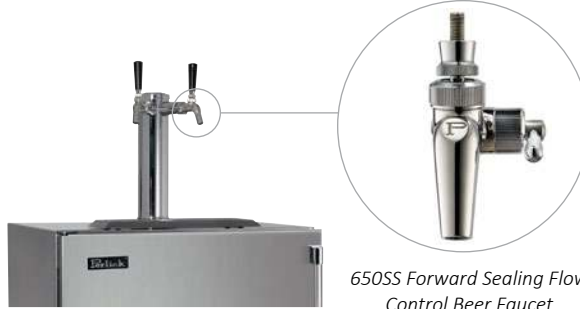
24" SIGNATURE SERIES BEER DISPENSER

HP24TS-3 24" INDOOR MODEL, SINGLE FAUCET

HP24TS-3 24" INDOOR MODEL, TWO FAUCET



Solid Door Model



650SS Forward Sealing Flow Control Beer Faucet

*Available with 1 or 2 faucets
(2 faucet shown)*

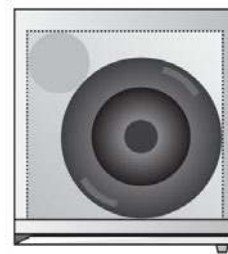
GENERAL SIGNATURE SERIES FEATURES



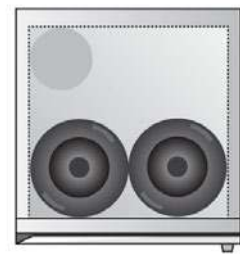
- **Industry Exclusive** front-vented RAPIDcool forced-air refrigeration system provides best-in-class cooling performance
- Powerful yet efficient 995 BTU variable-speed compressor ramps up to quickly bring down temperature of room temperature product
- Commercial-grade stainless steel interior and exterior
- All models available with stainless steel or panel ready door. Panel ready doors come ready to accept customer-supplied overlay and handle
- Zero-clearance hinging allows for abutment with surrounding cabinetry
- State-of-the-art digital control module
- Comprehensive Full Three Year Warranty plus additional three years on sealed system

HP24TS/TO FEATURES

- Available with stainless steel solid door or panel ready solid door
- **Industry Exclusive** Perlick patented stainless steel 650SS Forward Sealing Flow Control Beer Faucet; Flow control lever allows user to control how fast the beer pours – A must for pouring highly carbonated beers such as Hefeweizen
- Air-cooled tower keeps beer cold from keg to tap
- Low profile coupler for “D” system keg coupler included; accessory “S” system keg coupler available for European beers such as Newcastle, Stella Artois, Heineken, etc (**Industry Exclusive**)
- Stores (1) 1/4 barrel or (2) 1/6 barrels
- Complete, self-contained beer system
- Portable drainer; no plumbing required
- Beer Dispenser temperature 33°- 42°F



*One 1/4 barrel
(standard or slim)*

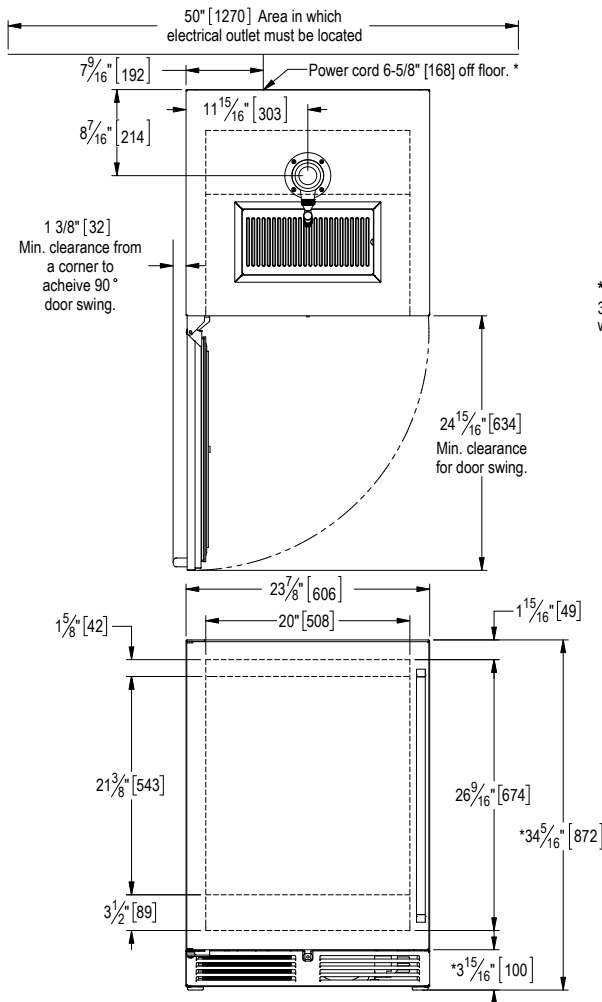


Two 1/6 barrel

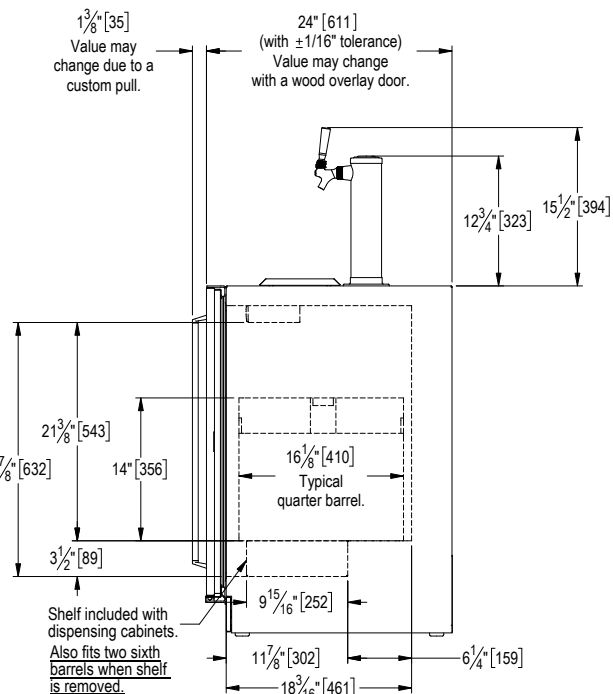
PRODUCT SPECIFICATIONS

Overall Width	23-7/8" (606 mm.)
Overall Height	34-1/4" (870 mm.)
Overall Depth	24" (610 mm.)
Opening Width	24" (610 mm.)
Opening Height	34-1/2" (876 mm.)
Opening Depth**	24-7/8" (632 mm.)
Refrigerated Volume	5.2 cu. ft.
Door Swing Clearance	25" (635 mm.) minimum
Electrical	115V, 60Hz., 1 Phase, 2.3 amps
Compressor	995 BTU, variable-speed
Plumbing	None Required
Annual Energy Usage	290 kWh/yr
Shipping Weight	222 lbs (100.7 kg.)

** Includes 7/8" plug clearance. To achieve 24" depth, you must recess the plug into the wall directly behind the unit.



* - Leg levelers can add 3/4" [19] to these dimensions when fully extended.



INDOOR MODELS

HP24TS-3-1L*#	Stainless steel solid door, hinge left*
HP24TS-3-2L*#†	Panel ready solid door, hinge left*

OUTDOOR MODELS

HP24TO-3-1L*#	Stainless steel solid door, hinge left*
HP24TO-3-2L*#†	Panel ready solid door, hinge left*

* Also available hinge right (R)

Add 1 for single faucet, 2 for two faucet

† This unit comes ready to accept customer-provided overlay panel and handle

OPTIONAL ACCESSORIES

(L)	Factory Installed Lock
66736	Caster Kit for HP24/HC24/HA24 models
63797	Beer Dispenser Cleaning Kit
40030S	Keg Coupler, Lo-Boy "S" Series
67141-1	Perlick Faucet Handle
BLC4/32	Beer Dispenser Sanitizer (4oz. or 32 oz.)

Perlick accessories are available for purchase through an authorized Perlick dealer. For a full list of accessories and to find a dealer near you, visit perlick.com/residential

California Prop 65 Notice:

WARNING: The materials used in this product may contain chemicals known to the State of California to cause cancer and birth defects or other reproductive harm. For more information go to www.P65Warnings.ca.gov.

FORM NO. Z2540
REV. A-09/07/2018