

24" SIGNATURE SERIES FREEZER

HP24FS-3 24" INDOOR MODEL
HP24FO-3 24" OUTDOOR MODEL



Solid Door Model



Drawer Model

GENERAL SIGNATURE SERIES FEATURES



- **Industry Exclusive** front-vented RAPIDcool forced-air refrigeration system provides best-in-class cooling performance
- Commercial-grade stainless steel interior and exterior
- All models available with stainless steel or panel ready door. Panel ready doors come ready to accept customer-supplied overlay and handle
- **Industry Exclusive** full extension shelves provide easy access for stocking and retrieving product. Shelves glide smoothly in and out of cabinet on stainless steel ball bearing glides
- Zero-clearance hinging allows for abutment with surrounding cabinetry
- Drawer models feature self-closing slides
- Adjustable Crisp White and Cool Blue LED lighting
- State-of-the-art digital control module
- Comprehensive Full Three Year Warranty plus additional three years on sealed system

HP24FS/FO FEATURES

- Available with stainless steel solid door, panel ready solid door, stainless steel drawers or panel ready drawers
- Freezer equipped with automatic hot gas defrost for maintenance-free defrosting
- Door models include two (2) full-extension shelves
- Freezer temperature -10°- 10°F

OPTIONAL ACCESSORIES

(L)	Factory Installed Lock
67991-L/R	Stacking Kit for HP24/HC24/HA24 models
66736	Caster Kit for HP24/HC24/HA24 models
RS-24-24M	Martini Rack

Perlick accessories are available for purchase through an authorized Perlick dealer. For a full list of accessories and to find a dealer near you, visit perlick.com/residential

PRODUCT SPECIFICATIONS

Product Width	23-7/8" (606 mm.)
Product Height	34-1/4" (870 mm.)
Product Depth	24" (610 mm.)
Opening Width	24" (610 mm.)
Opening Height	34-1/2" (876 mm.)
Opening Depth**	24-7/8" (632 mm.)
Refrigerated Volume	5.2 cu. ft.
Door Swing Clearance	25" (635 mm.) minimum
Electrical	115V, 60Hz., 1 Phase, 2.3 amps
Compressor	390 BTU, standard
Plumbing	None Required
Annual Energy Usage	443 kWh/yr
Shipping Weight	191 lbs (68.04 kg.)

** Include 7/8" plug clearance. To achieve 24" depth, you must recess the plug into the wall directly behind the unit.

INDOOR MODELS

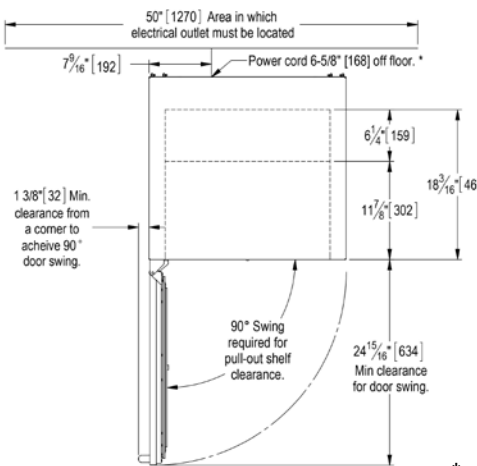
HP24FS-3-1L*	Stainless steel solid door, hinge left
HP24FS-3-2L*†	Panel ready solid door, hinge left
HP24FS-3-5	Stainless steel drawers
HP24FS-3-6†	Panel ready drawers

OUTDOOR MODELS

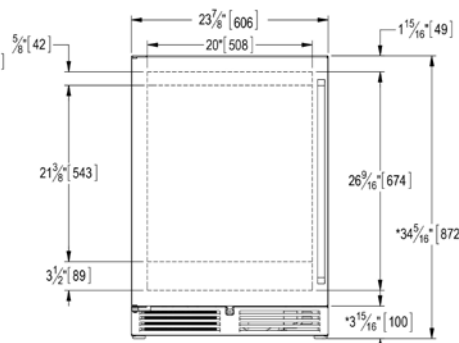
HP24FO-3-1L*	Stainless steel solid door, hinge left
HP24FO-3-2L*†	Panel ready solid door, hinge left
HP24FO-3-5	Stainless steel drawers
HP24FO-3-6†	Panel ready drawers

* Also available hinge right (R)

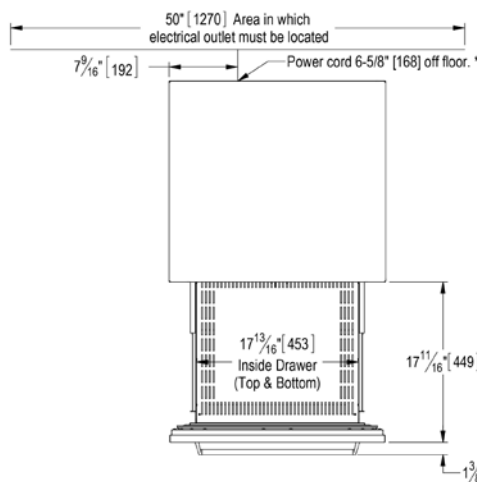
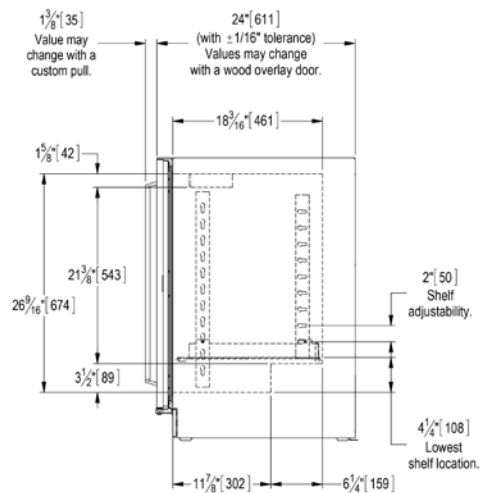
† This unit comes ready to accept customer-provided overlay panel and handle



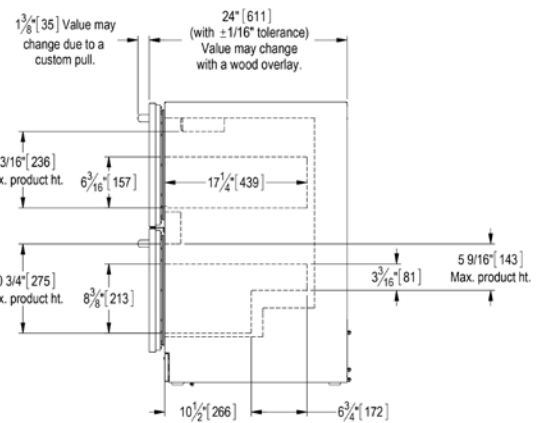
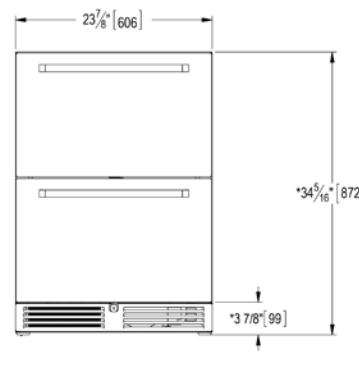
Door Models



* Leg levelers can add 3/4" to these dimensions when fully extended.



Drawer Models



California Prop 65 Notice:

WARNING: The materials used in this product may contain chemicals known to the State of California to cause cancer and birth defects or other reproductive harm. For more information go to www.P65Warnings.ca.gov.

FORM NO. Z2534
REV. A-09/07/2018