

## 24" C-SERIES REFRIGERATOR

**HC24RB-3**      24" INDOOR MODEL  
**HC24RO-3**      24" OUTDOOR MODEL



Glass Door Model (Indoor)



Solid Door Model (Outdoor)



Drawer Model (Indoor)

### GENERAL C-SERIES FEATURES



- **Industry Exclusive** front-vented RAPIDcool forced-air refrigeration system provides best-in-class cooling performance
- Commercial-grade stainless steel interior. Indoor models have black vinyl clad exterior; outdoor models have stainless steel exterior
- All models available with stainless steel or panel ready door. Panel ready doors come ready to accept customer-supplied overlay and handle
- Drawer models feature self-closing slides
- Zero-clearance hinging allows for abutment with surrounding cabinetry
- **Industry Exclusive** full extension refrigerator shelves provide easy access for stocking and retrieving product. Shelves glide smoothly in and out of cabinet on stainless steel ball bearing glides
- Interior lighting and digital control
- Low E, double pane UV-resistant glass provides exceptional insulation and protection from light
- Comprehensive Full Three Year Warranty plus additional three years on sealed system

### HC24RB/RO FEATURES

- Available with stainless steel solid door, panel ready solid door, stainless steel glass door, panel ready glass door, stainless steel drawers or panel ready drawers
- Outdoor models available with solid stainless steel door, solid wood overlay door, stainless steel drawers or wood overlay drawers
- Door models include two (2) full-extension pull-out shelves
- Refrigerator rated for both food and beverage storage
- Storage for 144 cans
- Refrigerator temperature 33° - 42°F

### ACCESSORIES

(L)	Factory Installed Lock
66736	Caster Kit for HP24/HC24/HA24 models
RS-24-24D	Divider Shelf for HP24/HC24/HA24 models

Perlick accessories are available for purchase through an authorized Perlick dealer. For a full list of accessories and to find a dealer near you, visit [perlick.com/residential](http://perlick.com/residential)

## PRODUCT SPECIFICATIONS

Product Width	23-7/8" (606 mm.)
Product Height	34-1/4" (870 mm.)
Product Depth	24" (610 mm.)
Opening Width	24" (610 mm.)
Opening Height	34-1/2" (876 mm.)
Opening Depth**	24-7/8" (632 mm.)
Refrigerated Volume	5.2 cu. ft.
Door Swing Clearance	25" (635 mm.) minimum
Electrical	115V, 60Hz., 1 Phase, 2.3 amps
Compressor	525 BTU, standard
Plumbing	None Required
Annual Energy Usage	274 kWh (solid door) 305 kWh (glass door and drawers)
Shipping Weight	183 lbs (83.01 kg.)

\*\* Includes 7/8" plug clearance. To achieve 24" depth, you must recess the plug into the wall directly behind the unit.

## INDOOR MODELS

HC24RB-3-1L*	Stainless steel solid door, hinge left
HC24RB-3-2L*†	Panel ready solid door, hinge left
HC24RB-3-3L*	Stainless steel glass door, hinge left
HC24RB-3-4L*†	Panel ready glass door, hinge left
HC24RB-3-5	Stainless steel drawers
HC24RB-3-6†	Panel ready drawers

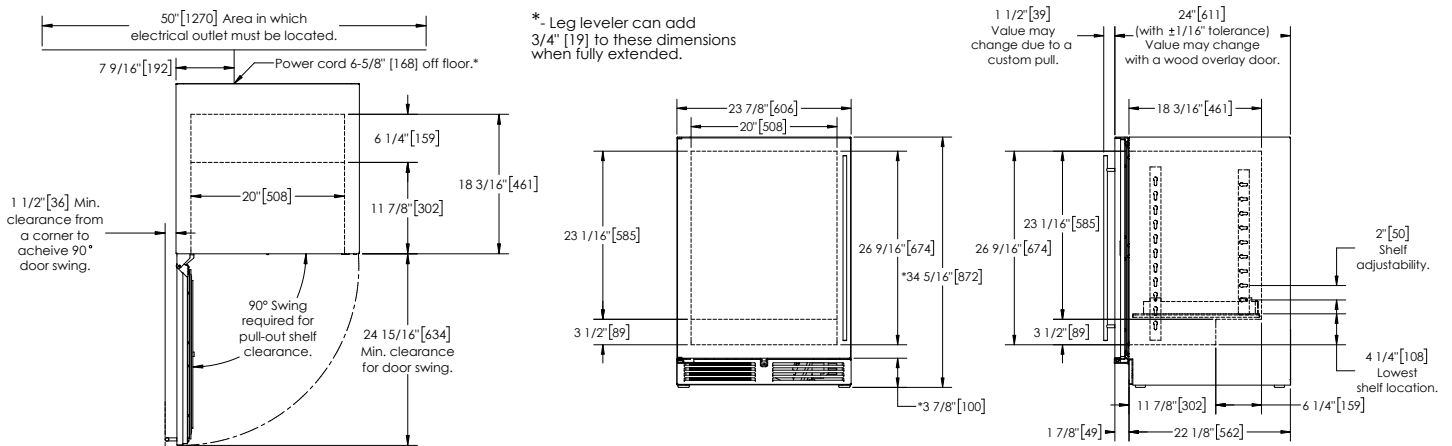
## OUTDOOR MODELS

HC24RO-3-1L*	Solid stainless steel door, hinge left
HC24RO-3-2L*†	Solid wood overlay door, hinge left
HC24RO-3-5	Stainless steel drawers
HC24RO-3-6†	Wood overlay drawers

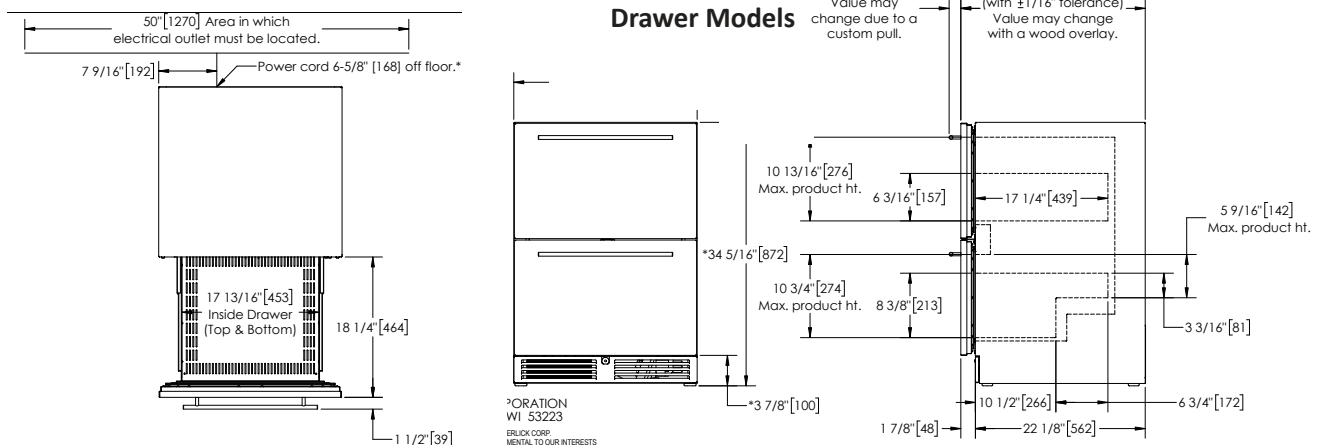
\* Also available hinge right (R)

† This unit comes ready to accept customer-provided overlay panel and handle

### Door Models



### Drawer Models



California Prop 65 Notice:

**WARNING:** The materials used in this product may contain chemicals known to the State of California to cause cancer and birth defects or other reproductive harm. For more information go to [www.P65Warnings.ca.gov](http://www.P65Warnings.ca.gov).

FORM NO. Z2527  
REV. B-11/20/2019