



"Global Pool Products is committed to engineering and manufacturing world class products in the pool industry"

## SPLASH ASSEMBLY & INSTALLATION GUIDE



[www.global-poolproducts.com](http://www.global-poolproducts.com)



“Global Pool Products is committed to engineering and manufacturing world class products in the pool industry”

## SPLASH SLIDE

### TABLE OF CONTENTS

Introduction	PAGE - 3
SPLASH Post Installation Instructions	PAGE - 4
Maintenance Instructions	PAGE – 4
Splash Slide Placement/Stub Up	PAGE – 5
Splash Specification Sheets	PAGE – 6-8
Splash Assembly	PAGE –9-12
On Deck Mounting & Plumbing Instructions	PAGE – 13-14
Exploded View Reference Material	PAGE- 15-16



“Global Pool Products is committed to engineering and manufacturing world class products in the pool industry”

## INTRODUCTION

Global Pool Products is located in Mid-Michigan. Global Pool Products prides itself in manufacturing top of the line quality aquatic pool equipment and products. Global Pool Product’s key staff has a century of combined industry experience and we take pride in each and every product that we build. Our products are made in the United States. Global Pool Products uses only the finest materials and processes to provide our customers with the highest quality products while still maintaining a price competitive edge.

The Splash is designed for use on in-ground residential swimming pools ONLY. The Splash Slide must be properly assembled, installed, used, and supervised for proper use and operation to reduce the risk of serious injury and/or death.

Please refer to your local building codes and national building codes to be implemented prior to slide installation.

Before starting assembly, remove all packaging and materials from the boxes. Double check to make sure that nothing is left inside the boxes. Identify the parts and hardware utilizing the parts listed in this document. Examine all parts thoroughly prior to installation to avoid anything that may have been damaged in transit. A damaged part should not be used in the installation of this slide. Contact Global Pool Products if any parts arrived damaged. Proper assembly and installation of the Splash Slide is imperative. Not following the directions provided will void Global Pool Products Warranty and may affect the safety of the slide rider.

After installation of the Splash, please provide the slide owner with an owner’s manual, insist that warranty information be completed and sent to Global Pool Products, discuss proper use of the slide, and answer any and all questions regarding the safety of the slide.

**⚠️ NEGLECTING TO FOLLOW THESE INSTRUCTIONS AND THE OWNER’S  
MANUAL MAY RESULT IN SERIOUS INJURY OR DEATH ⚠️**



“Global Pool Products is committed to engineering and manufacturing world class products in the pool industry”

## **POST INSTALLATION CHECKLIST FOR SPLASH SLIDE**

Installer to review with slide owner upon completion of slide installation.

Examine:

- The flume for any apparent cracks or gashes.
- The ladder for sharp borders, snags, cracks, or gashes.
- All fasteners to make sure none are loose.
- The ladder for stability and connection to the flume.
  
- ✓ Pool water depth at the base of the slide should be at least 3' (914 mm) deep.
- ✓ The height of the slide flume exit above the water should be 20" (508 mm) maximum.
- ✓ The distance between the slide centerline and the edge of other pool equipment should be at least 3'6" (1067 mm).

## **MAINTENANCE INSTRUCTIONS**

- A. Spray your Splash Slide down with water to wash away build up.
- B. Be sure that all connection points are tight. If not, tighten anchors as necessary.
- C. All polyethylene parts require little maintenance. Hose and wipe to clean.

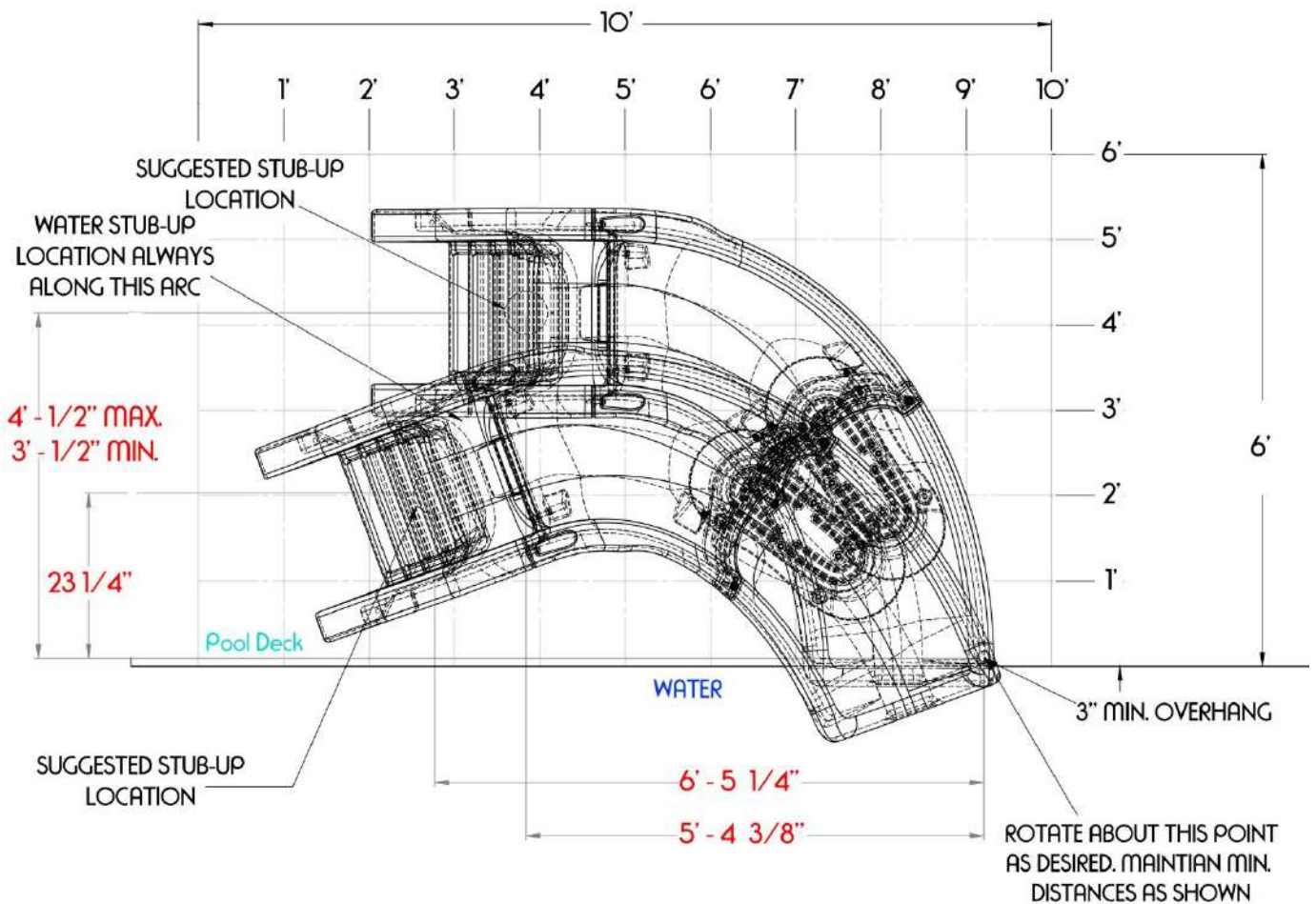
Examine:

- The flume for any apparent cracks or gashes.
- All fasteners to make sure none are loose.
- The ladder and inner flume for sharp borders, snags, cracks, or gashes.



"Global Pool Products is committed to engineering and manufacturing world class products in the pool industry"

## Splash Slide Placement/Stub-up Location



Global Pool Products  
 1330 Pigeon Rd  
 Bad Axe, MI 48413  
 P: 989-269-5900 - TF: 866-712-0606  
 Fax: 989-269-5902  
[www.global-poolproducts.com](http://www.global-poolproducts.com)

Information contained in this document is proprietary and confidential to Global Pool Products and not to be reproduced without written consent from Global Pool Products.



“Global Pool Products is committed to engineering and manufacturing world class products in the pool industry”

## Splash Slide Specifications

### Product Numbers and Shipping Weights:

Model Number	Description	Shipping Weights
GPPSSP-GRAY-R	Splash – Gray Granite Right	195 lbs (102 kg)
GPPSSP-SAND-R	Splash – Sandstone Granite Right	195 lbs (102 kg)

### Broad Description:

The Splash Slide is a sturdy, durable, roto-molded slide with enclosed plumbing for a clean finished look. The Splash is available in Sandstone or Gray Granite finishes.

### Utilization:

The Splash is intended for use on in-ground residential swimming pools only. Our multi point anchoring system allows the Splash to accommodate most geographical regions. The slide is rated for a maximum of 175 lb. (80 kg) for its riders.

### Specifications:

- The ladder is enclosed with five (5) coping style steps for a safe and easy climbing.
- The two (2) handrails are roto-molded into the ladder with two (2) optional widths for a comfortable climb for most riders.
- The slide runway has a twenty (20) inch wide seating area made of a thick, durable roto-molded plastic.
- The water delivery system is enclosed within the roto-molded ladder for a clean look. Water is delivered with a 1” PVC hose to allow maximum water coverage on the flume at 25 gpm.
- The Splash is anchored to the pool deck with ½” diameter stainless anchor studs with attaching hardware.

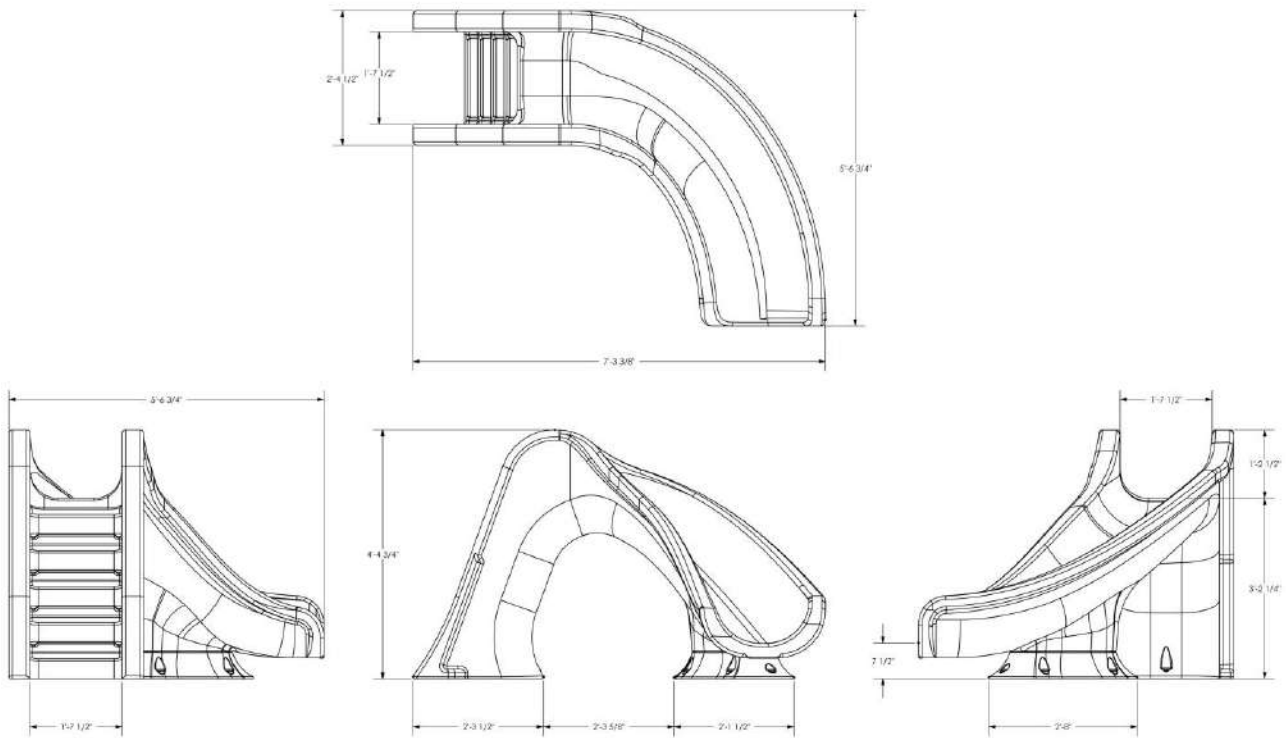
Global Pool Products  
1330 Pigeon Rd  
Bad Axe, MI 48413  
P: 989-269-5900 - TF: 866-712-0606  
Fax: 989-269-5902  
[www.global-poolproducts.com](http://www.global-poolproducts.com)

Information contained in this document is proprietary and confidential to Global Pool Products and not to be reproduced without written consent from Global Pool Products.



“Global Pool Products is committed to engineering and manufacturing world class products in the pool industry”

## Splash Slide Specifications



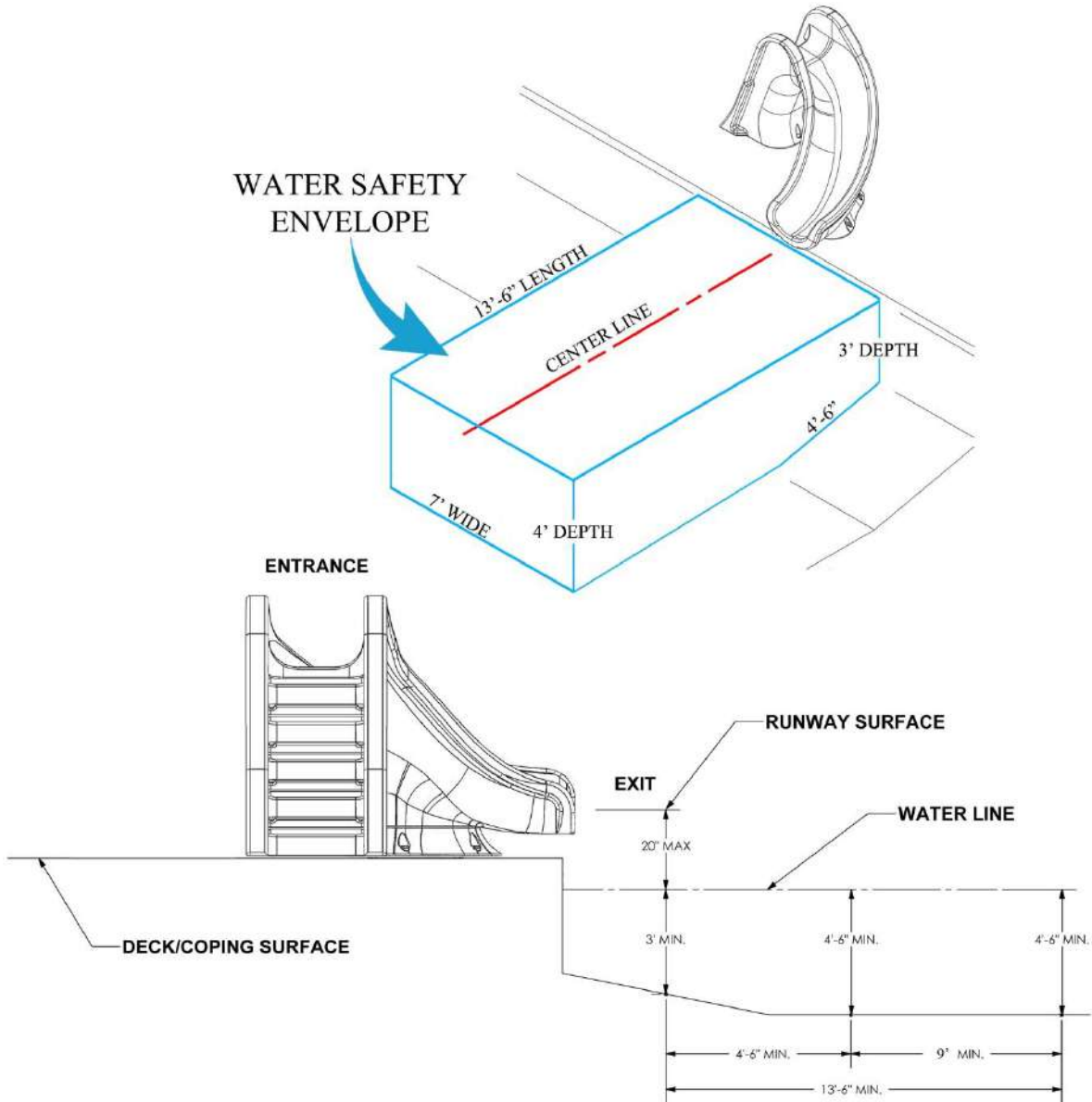
Global Pool Products  
 1330 Pigeon Rd  
 Bad Axe, MI 48413  
 P: 989-269-5900 - TF: 866-712-0606  
 Fax: 989-269-5902  
[www.global-poolproducts.com](http://www.global-poolproducts.com)

Information contained in this document is proprietary and confidential to Global Pool Products and not to be reproduced without written consent from Global Pool Products.



"Global Pool Products is committed to engineering and manufacturing world class products in the pool industry"

## Splash Slide Water Safety Envelope



Global Pool Products  
 1330 Pigeon Rd  
 Bad Axe, MI 48413  
 P: 989-269-5900 - TF: 866-712-0606  
 Fax: 989-269-5902  
[www.global-poolproducts.com](http://www.global-poolproducts.com)

Information contained in this document is proprietary and confidential to Global Pool Products and not to be reproduced without written consent from Global Pool Products.





“Global Pool Products is committed to engineering and manufacturing world class products in the pool industry”

## SPLASH ASSEMBLY INSTRUCTIONS

### Tools Needed:

- |                       |                       |                            |
|-----------------------|-----------------------|----------------------------|
| 1. 3/16" Allen Wrench | 5. PTFE (Teflon) Tape | 9. 5/8" Deep Well Socket   |
| 2. 7/32" Allen Wrench | 6. PTFE (Teflon) Glue | 10. 9/16" Deep Well Socket |
| 3. 9/16" Wrench       | 7. PVC Primer         | 11. Ratchet                |
| 4. Anti-Seize         | 8. PVC Glue           | 12. Ratchet Extension      |

### Included Hardware:

- |                                       |                                     |                            |
|---------------------------------------|-------------------------------------|----------------------------|
| (4) - 3/8" Hex Bolt – 2"              | (14) - 3/8" x 7/8" Washer           | (8) – Lock Washer          |
| (2) – 3/8" Button Head Bolt – 2"      | (8) – Concrete Anchors              | (1) – 46" PVC Flex Hose    |
| (2) – 3/8" Hex Bolt – 4"              | (1) – 32" Foam-Rubber Gasket        | (8) – Anchor Nut Caps      |
| (2) – 3/8" Button Head Bolts – 1 3/4" | (1) – 49" Foam-Rubber Gasket        | (2) – 3/8" Hex Bolt 2 1/4" |
| (2) – 3/8" Nut                        | (1) – 1 1/2" to 1" PVC Male Adapter |                            |



SPLASH



UPPER FLUME



LADDER



LOWER FLUME



BASE



“Global Pool Products is committed to engineering and manufacturing world class products in the pool industry”

**Prior to the Start of Assembly:**

- Utilize the cardboard that the slide shipped in as a barrier between your slide components and the surface that the slide is being assembled on to prevent any scuffs or scratches.
- Apply anti-seize to all threaded portions of the fastener hardware. This will aide in the assembly, resistance of corrosion, and prevents galling.
- Prepare all bolts with a lock washer and washer in the order as shown below.

**\*Excluding bolts used for the flume base to lower flume, only use the washer.**

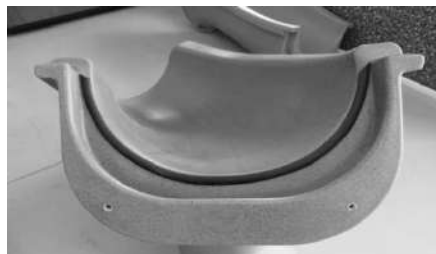


- Tighten fasteners after all fasteners are threaded in place.

1. Assemble flume base to the lower flume by attaching them together with 4 of the 2” Hex Bolts.  
*(The components will need to be upside-down to complete this process)*



2. Place the lower flume assembly with the base on the ground so the upper flume can be attached.
3. Install 32” foam-rubber gasket onto the lower flume.



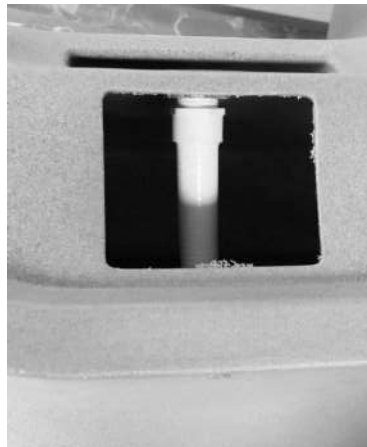


“Global Pool Products is committed to engineering and manufacturing world class products in the pool industry”

4. Attach the upper flume to the lower flume, first with the two (2) 2” Button-head bolts on the two upper attachment points. This will align the underside holes to attach with two (2) 4” Hex Bolts. (A flat washer is to be used on both sides of the bolt, then a lock washer and hex nut to secure.)



5. Set aside flume assembly.
6. Plumb the Ladder with the 1” to 3/4” Male Adapter to the internal brass fitting (molded into the upper ladder portion of the slide) and the Flex Hose to the Male PVC Adapter.
  - a. Apply PTFE (Teflon) Tape to the threaded portion of the adapter (2 times around).
  - b. Apply PTFE Paste to the threads and screw into the brass fitting.
  - c. Apply PVC Primer to the Female end of the Adapter and to the Flex Hose.
  - d. Route the flex hose through the Upper Ladder portion of the slide, starting at the bottom 5” hole with the end that was primed.
  - e. Apply PVC glue to both the adapter and flex hose where they were primed.
  - f. Join the flex hose with the PVC adapter (push in and twist for good adhesion) until pipe bottoms out.
  - g. Allow for proper drying time before moving to the next step.



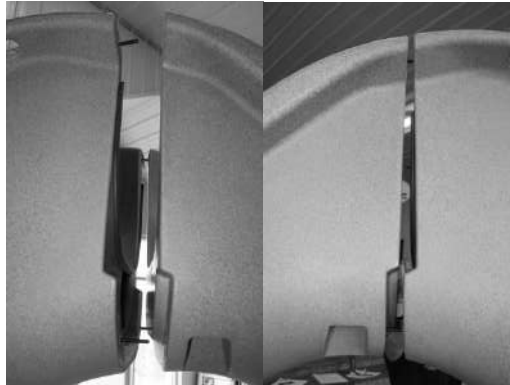


“Global Pool Products is committed to engineering and manufacturing world class products in the pool industry”

7. Route the flex hose through the ladder section.
8. Install 49” Foam-Rubber Gasket to the upper connection point of the flume assembly to the ladder assembly. (Each end of the gasket should be roughly 3” from the flume tops.)



9. Merge the Flume assembly to the Ladder.



10. Attach the two assemblies first with the two (2) 2 1/4” Hex Bolts at the lower attachment locations. Secure the upper ladder points with the two (2) 1-3/4” Hex Bolts.



11. Pull the flex hose through the bottom 6” hole at the underside base of the ladder. Please consult with a local electrician to conform to your area’s codes and regulations on bonding and electrical hook-up.



“Global Pool Products is committed to engineering and manufacturing world class products in the pool industry”

## ON-DECK MOUNTING & PLUMBING INSTRUCTIONS

### Required Tools

½” SDS Concrete Bit

Hammer

Hammer Drill

Shop-vac

Center Punch (Marking Tool)

4 ¾” Hole Saw (for garden hose hook-up option)

### Included Hardware

½” Concrete Anchors

**Front pedestal needs to be installed on a surface with 0 grade to prevent water wicking back onto pool deck.**

1. Place the assembled slide on the pool deck relative to the pool wall with the ladder side over the stub up location.
2. Check to ensure the exit of the flume clears all coping edges. The slide may be angled to your preference as long as the guidelines provided in Global Pool Product’s Placement Instructions are followed.
3. Once the slide is in its desired location and all guidelines are met, use a center punch or other marking tool to indicate the mounting holes on the ladder and pedestal so marks are visible on the pool deck surface.
4. Remove the slide and any other objects that could obstruct the drilling of the anchor holes.
5. Using a Hammer Drill equipped with a ½” (13mm) SDS concrete bit, drill the marked holes to a depth of 4” (102mm). *Note: Mark the 4” depth on your SDS bit with some tape to prevent drilling anchor holes too deep. Ensure you are drilling the holes straight and perpendicular for proper holding and strength of anchor.*



6. Clear all anchor holes from any debris. A Shop-vac may be required if debris gets into anchor holes.
7. Plumb the slide to stub up location.
  - a. Clean flex hose from slide and stub-up plumbing prior to assembling.
  - b. Use PVC Primer & PVC Glue to adhere plumbing components from the slide and stub-up plumbing together.



*“Global Pool Products is committed to engineering and manufacturing world class products in the pool industry”*

- Place slide back over anchor holes and assemble anchors with the included washer and nut so the top of the nut is flush with the anchor.



- Drive all anchors through the slide anchoring holes.
- Expand anchors by tightening the nuts three to five turns. When the anchor is set, remove the nut and install a lock washer. Then, retighten the nut to specified torque.

***If installing pool slide as an aftermarket product and running the water from an alternate water source other than pool plumbing, you will need to:***

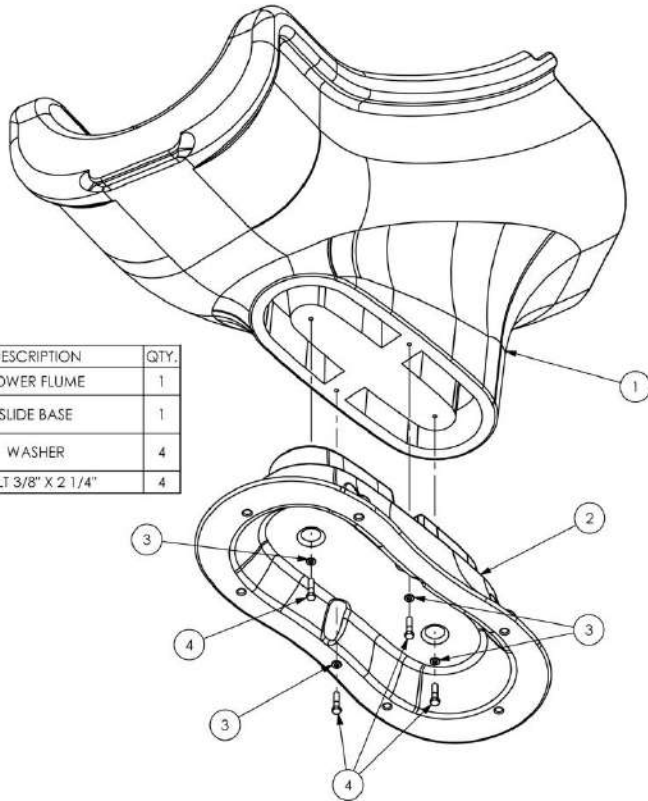
- Cut a 4 ¾” access hole in the lower ladder section of the slide to access the flex hose using the dimpled center mark in the rectangular area.



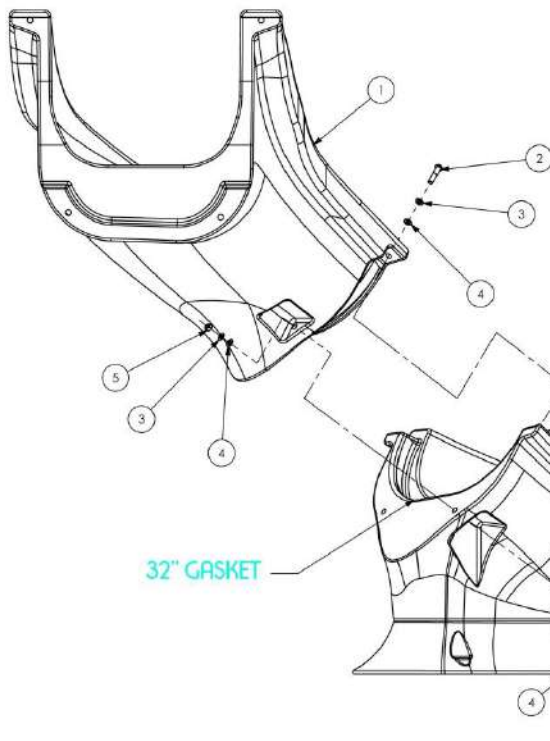
- Assemble garden hose adapter and connect to water supply (garden hose).



“Global Pool Products is committed to engineering and manufacturing world class products in the pool industry”



ITEM NO.	PART NUMBER	DESCRIPTION	QTY.
1	FLUME	LOWER FLUME	1
2	BASE	SLIDE BASE	1
3	GPPBW375	WASHER	4
4	GPPS-375X2.25HHCS	BOLT 3/8" X 2 1/4"	4



ITEM NO.	PART NUMBER	DESCRIPTION	QTY.
1	UPPER FLUME	UPPER FLUME	1
2	GPPS-375X2BHCS	BUTTONHEAD BOLT 3/8" X 2"	2
3	GPPBSW375	LOCK WASHER	12
4	GPPBW375	WASHER	12
5	GPPS-N375	HEX NUT 3/8"	2
6	GPP-B375X4HHCS	3/8" X 4" HEX BOLT	2

32" GASKET

“Global Pool Products is committed to engineering and manufacturing world class products in the pool industry”

ITEM NO.	PART NUMBER	DESCRIPTION	QTY.
1	Splash Ladder	1	1
2	GPPBW375	WASHER	14
3	GPPBSW375	LOCK WASHER	10
4	GPPS-B375X1.75BHCS	3/8" X 1 3/4" BUTTON HEAD BOLT	2
5	GPPS-B375X3HHCS	3/8" X 3" HEX HEAD BOLT	2

