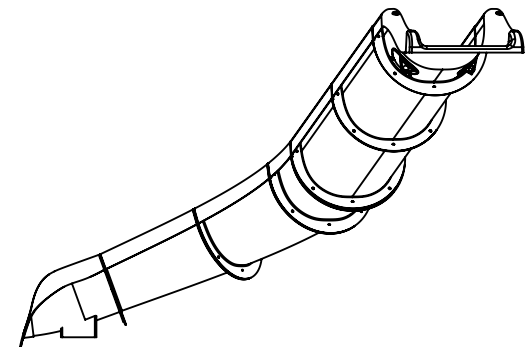
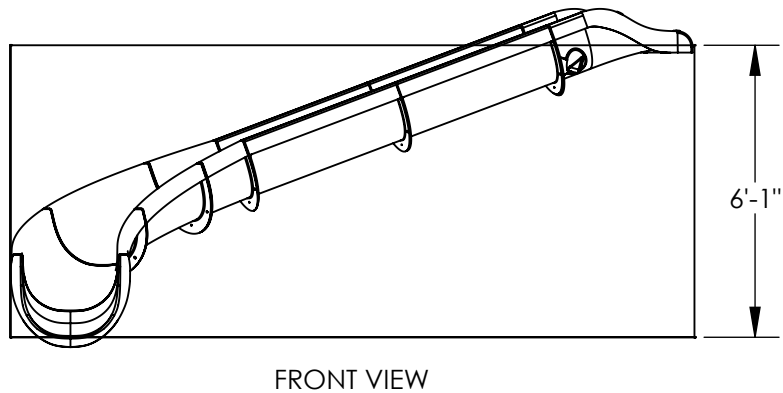


ISOMETRIC VIEW
NOT TO SCALE

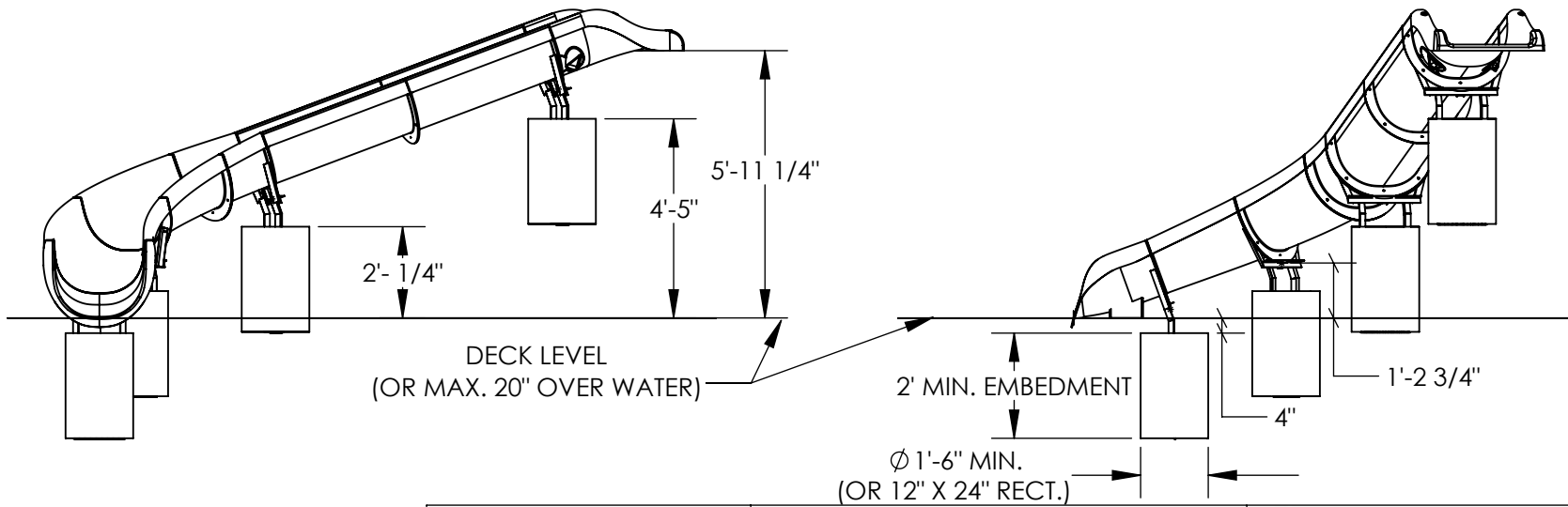
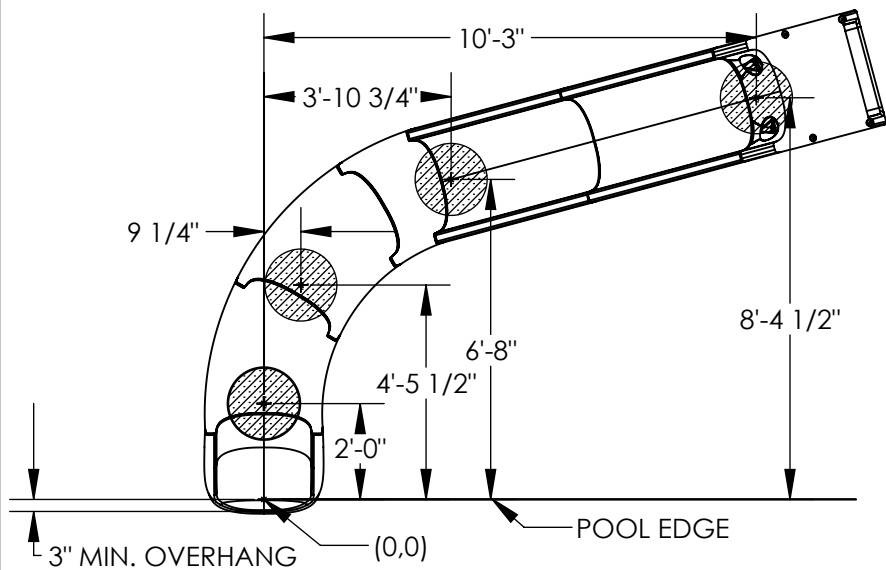


SIDE VIEW

DESCRIPTION: 19 LF RIVER RUN SLIDE LEFT TURN, "A" DWG FILE FOR USE	
MATERIAL: FIBERGLASS-REINFORCED VINYL ESTER	
PART NO.: RRS19A-CL	REV. A0
DRAWN BY: CMR	DATE: 6/24/2020
CHECKED BY:	DATE:



P.O. BOX 400 - 1017 S.W. BERG PARKWAY
CANBY, OREGON 97013
PHONE (503) 266-2231



UNLESS OTHERWISE SPECIFIED DIMENSIONS ARE IN INCHES, TOLERANCES ARE:
 FRACTIONAL: ±1/8
 ANGULAR: ±1°
 TWO PLACE DECIMAL: ±.06
 THREE PLACE DECIMAL: .. ±.031

DESCRIPTION: 19 LF RIVER RUN SLIDE LEFT TURN, "A"	
MATERIAL: FIBERGLASS-REINFORCED VINYL ESTER	
PART NO.: RRS19A-CL	REV. A0
DRAWN BY: CMR	DATE: 6/24/2020
CHECKED BY:	DATE:

SR Smith™
 P.O. BOX 400 - 1017 S.W. BERG PARKWAY
 CANBY, OREGON 97013
 PHONE (503) 266-2231

SIZE: A	SCALE: 1/4"=1'	SHEET 2 OF 2
------------	----------------	--------------