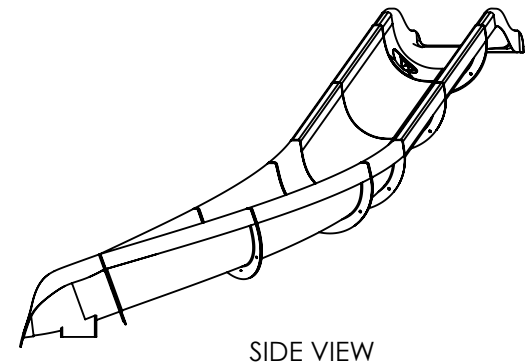
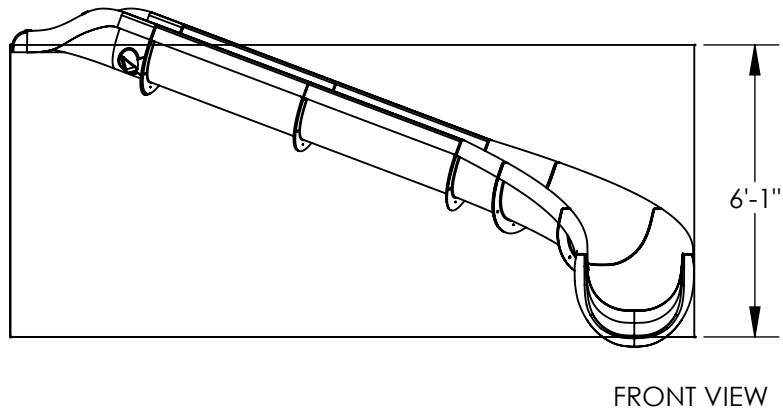
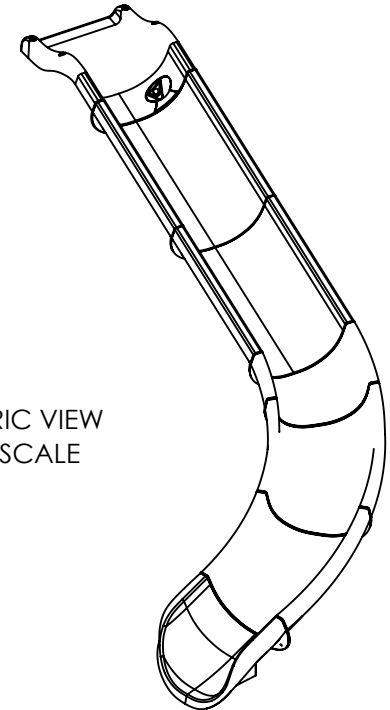


ISOMETRIC VIEW
NOT TO SCALE

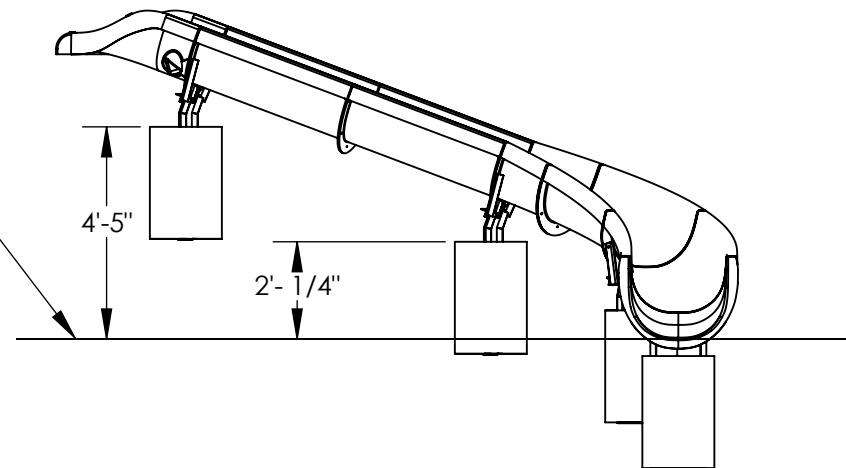
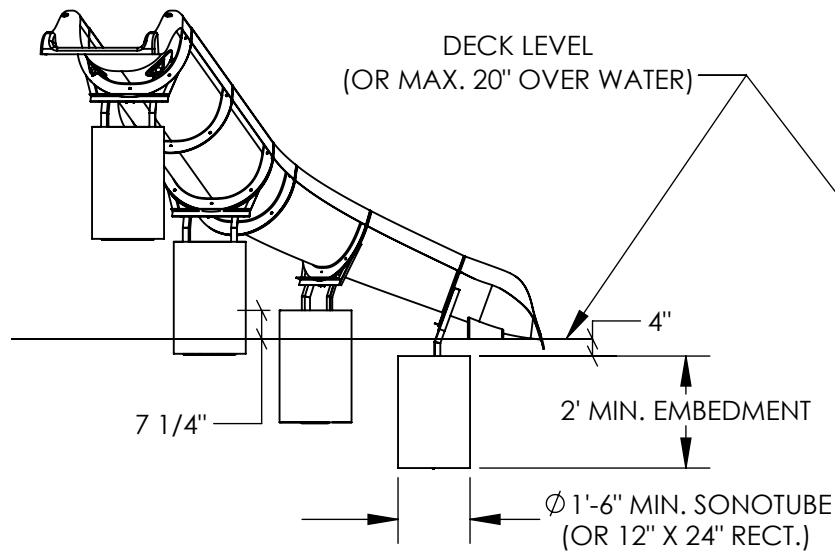
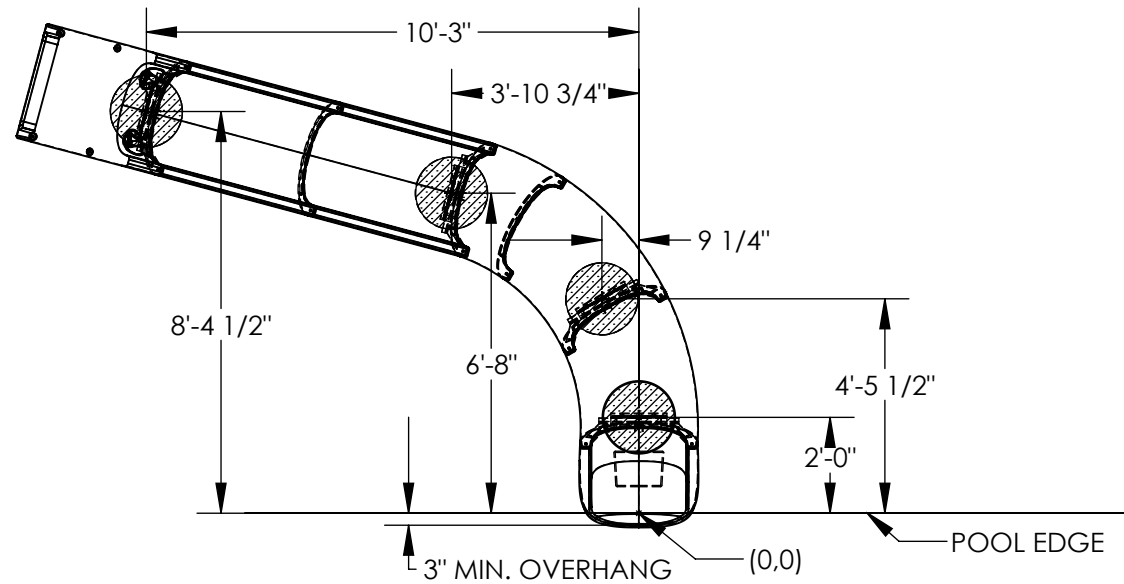


DESCRIPTION: 19 LF RIVER RUN SLIDE RIGHT TURN, "A" DWG FILE FOR USE	
MATERIAL: FIBERGLASS-REINFORCED VINYL ESTER	
PART NO.: RRS19A-CR	REV. A0
DRAWN BY: CMR	DATE: 7/8/2020
CHECKED BY:	DATE:

SR SmithTM

P.O. BOX 400 - 1017 S.W. BERG PARKWAY
CANBY, OREGON 97013
PHONE (503) 266-2231

SIZE: A	SCALE: 1/4"=1'	SHEET 1 OF 2
------------	----------------	--------------



UNLESS OTHERWISE SPECIFIED
DIMENSIONS ARE IN INCHES,
TOLERANCES ARE:
FRACTIONAL: ±1/8
ANGULAR: ±1°
TWO PLACE DECIMAL: ±.06
THREE PLACE DECIMAL: .. ±.031

DESCRIPTION:
19 LF RIVER RUN SLIDE RIGHT TURN, "A"

MATERIAL:
FIBERGLASS-REINFORCED VINYL ESTER

PART NO.: RRS19A-CR REV. A0

DRAWN BY: CMR DATE: 7/8/2020

CHECKED BY: DATE:



P.O. BOX 400 - 1017 S.W. BERG PARKWAY
CANBY, OREGON 97013
PHONE (503) 266-2231