

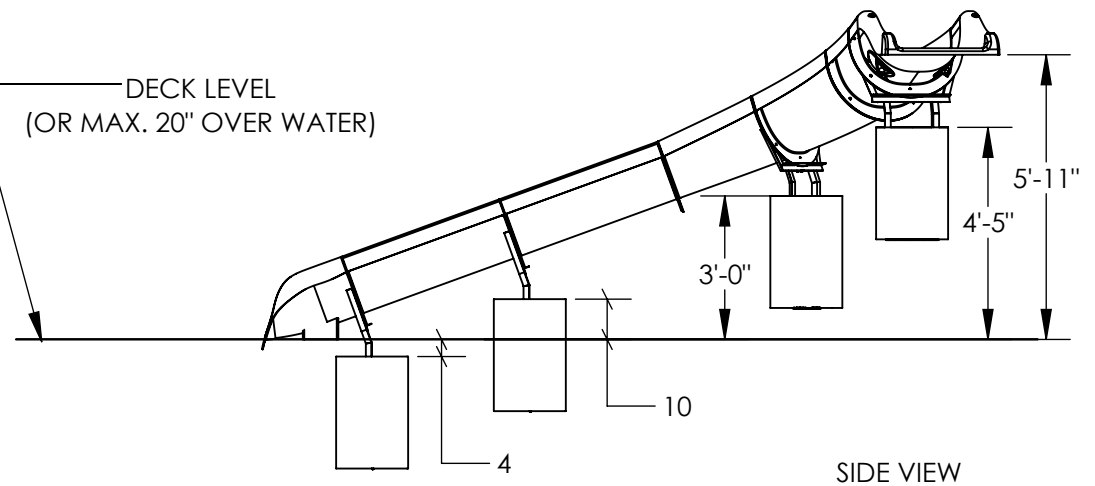
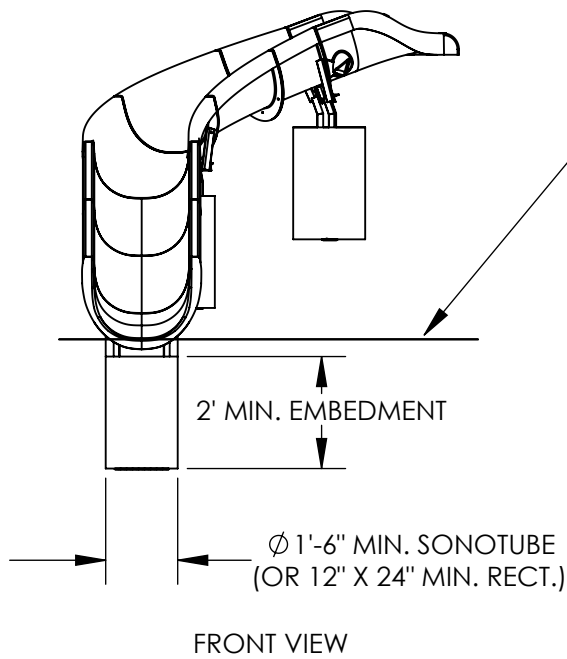
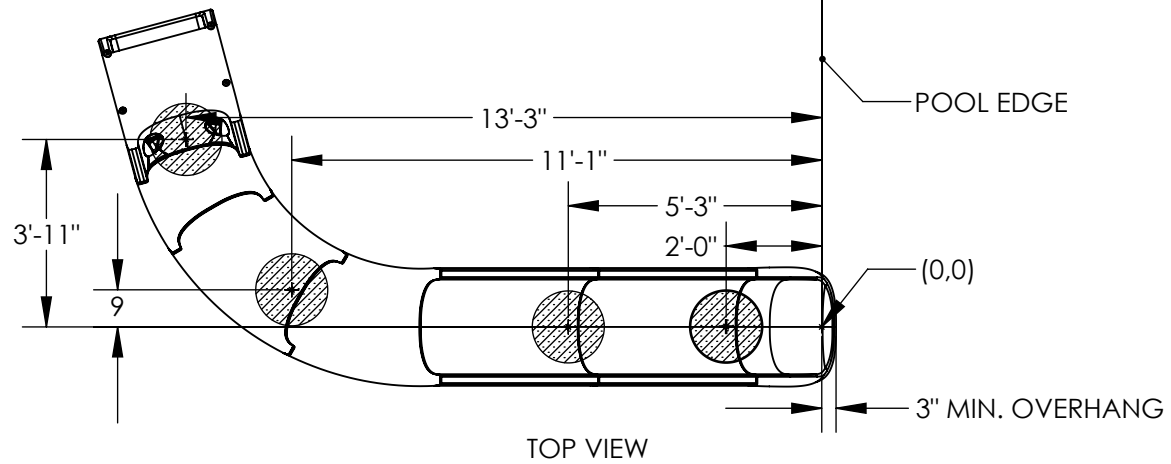
UNLESS OTHERWISE SPECIFIED
DIMENSIONS ARE IN INCHES,
TOLERANCES ARE:
FRACTIONAL: $\pm 1/16$
ANGULAR: $\pm 1^\circ$
TWO PLACE DECIMAL: $\pm .06$
THREE PLACE DECIMAL: .. $\pm .031$

DESCRIPTION: 19 LF RIVER RUN SLIDE LEFT TURN, "B"	
MATERIAL: FIBERGLASS-REINFORCED VINYL ESTER	
PART NO.: RRS19B-CL	REV. A0
DRAWN BY: CMR	DATE: 10/7/2019
CHECKED BY: credelfs	DATE: 6/24/2020

SR SmithTM

P.O. BOX 400 - 1017 S.W. BERG PARKWAY
CANBY, OREGON 97013
PHONE (503) 266-2231

SIZE: A	SCALE: 1/4"=1'	SHEET 1 OF 2
---------	----------------	--------------



DESCRIPTION: 19 LF RIVER RUN SLIDE LEFT TURN, "B" DWG FILE FOR USE	
MATERIAL: FIBERGLASS-REINFORCED VINYL ESTER	
PART NO.: RRS19B-CL	REV. A0
DRAWN BY: CMR	DATE: 10/7/2019
CHECKED BY: credelfs	DATE: 6/24/2020

SR Smith™

P.O. BOX 400 - 1017 S.W. BERG PARKWAY
CANBY, OREGON 97013
PHONE (503) 266-2231

SIZE: A	SCALE: 1/4"=1'	SHEET 2 OF 2
---------	----------------	--------------