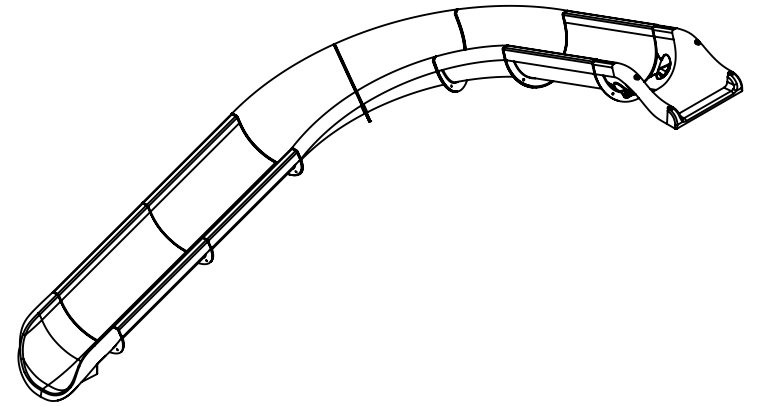
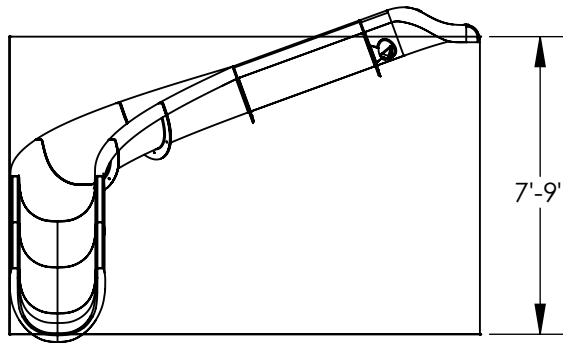


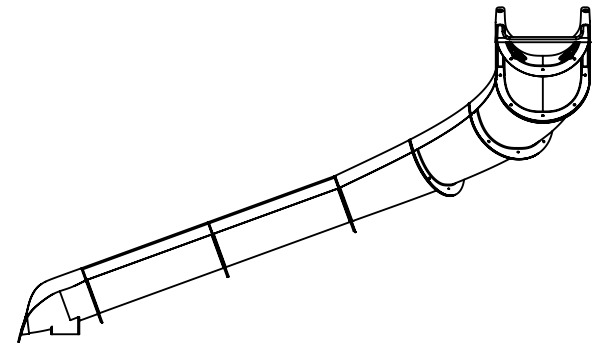
TOP VIEW



ISOMETRIC VIEW
NOT TO SCALE



FRONT VIEW



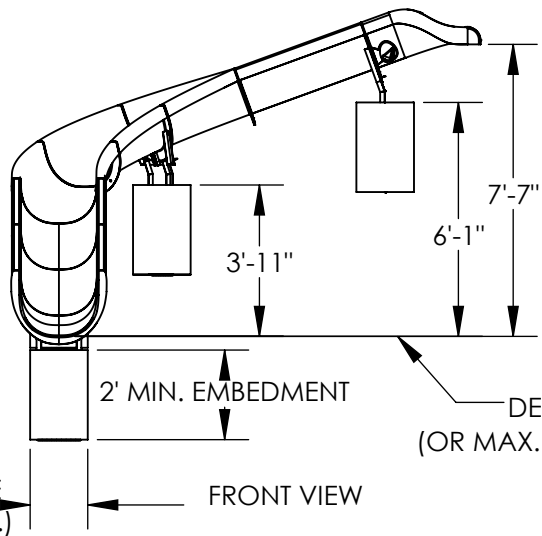
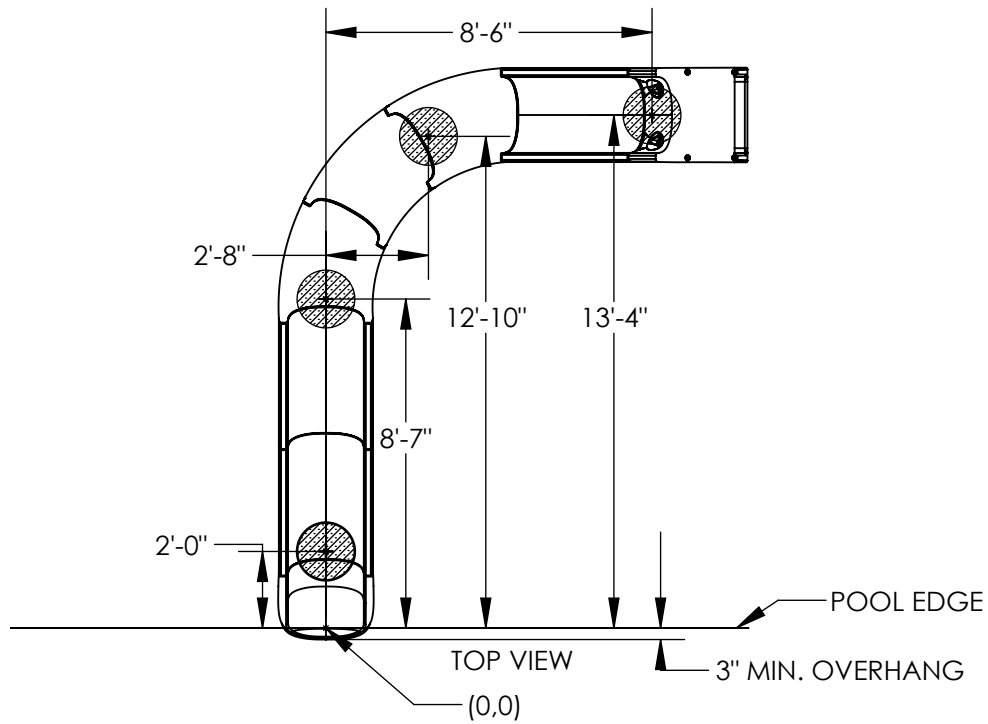
SIDE VIEW

DESCRIPTION: 24 LF RIVER RUN SLIDE LEFT TURN, "A" DWG FILE FOR USE	
MATERIAL: FIBERGLASS-REINFORCED VINYL ESTER	
PART NO.: RRS24A-CL	REV. A0
DRAWN BY: CMR	DATE: 7/8/2020
CHECKED BY:	DATE:

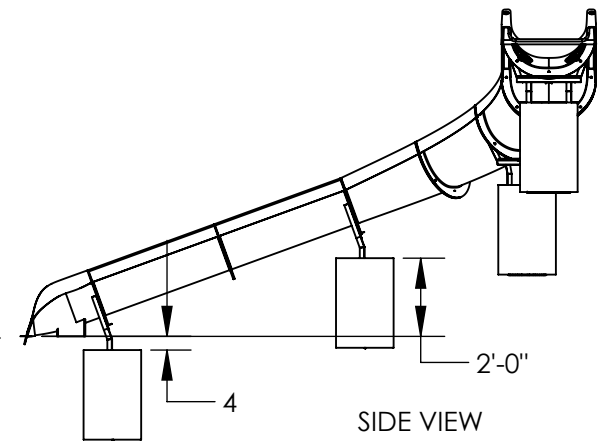
SR SmithTM

P.O. BOX 400 - 1017 S.W. BERG PARKWAY
CANBY, OREGON 97013
PHONE (503) 266-2231

SIZE: A	SCALE: 1:60	SHEET 1 OF 2
------------	-------------	--------------



DECK HEIGHT
(OR MAX. 20" OVER WATER)



Ø 1'-6" MIN. SONOTUBE
(OR 12" X 24" MIN. RECT.)

DESCRIPTION: 24 LF RIVER RUN SLIDE LEFT TURN, "A" DWG FILE FOR USE	
MATERIAL: FIBERGLASS-REINFORCED VINYL ESTER	
PART NO.: RRS24A-CL	REV. A0
DRAWN BY: CMR	DATE: 7/8/2020
CHECKED BY:	DATE:

SR Smith™

P.O. BOX 400 - 1017 S.W. BERG PARKWAY
CANBY, OREGON 97013
PHONE (503) 266-2231

SIZE: A	SCALE: 1"=5'	SHEET 2 OF 2
------------	--------------	--------------