



# DESTINATION LOUNGER™

User Manual



**S.R.SMITH 3050 S. ALVERNON WAY • TUCSON, AZ 85713**  
**503.266.2231 • 800.824.4387 • FAX 503.266.4334 • srsmith.com**

 **WARNING** INTENDED USE INSTRUCTIONS**LOUNGER WARNINGS & PROPER USE INSTRUCTIONS**

- **DO NOT DRAG OR PUSH LOUNGER ON DECK OR POOL SURFACE AS IT MAY RESULT IN DAMAGE TO LOUNGER OR SURFACE**
- USE CAUTION WHEN MOVING LOUNGER FULL OF WATER
- SLIPPERY WHEN WET OR WITH USE OF SUNSCREEN/LOTION
- 250 LB/113 KG WEIGHT LIMIT
- ONE PERSON AT A TIME
- DO NOT STAND ON LOUNGER
- DO NOT USE IF IMPAIRED
- NO DIVING/ROUGHHOUSING/JUMPING FROM LOUNGER
- NOT TO BE USED AS A FLOATATION DEVICE
- TO AVOID ENTRAPMENT, DO NOT SWIM UNDER OR NEAR LOUNGER

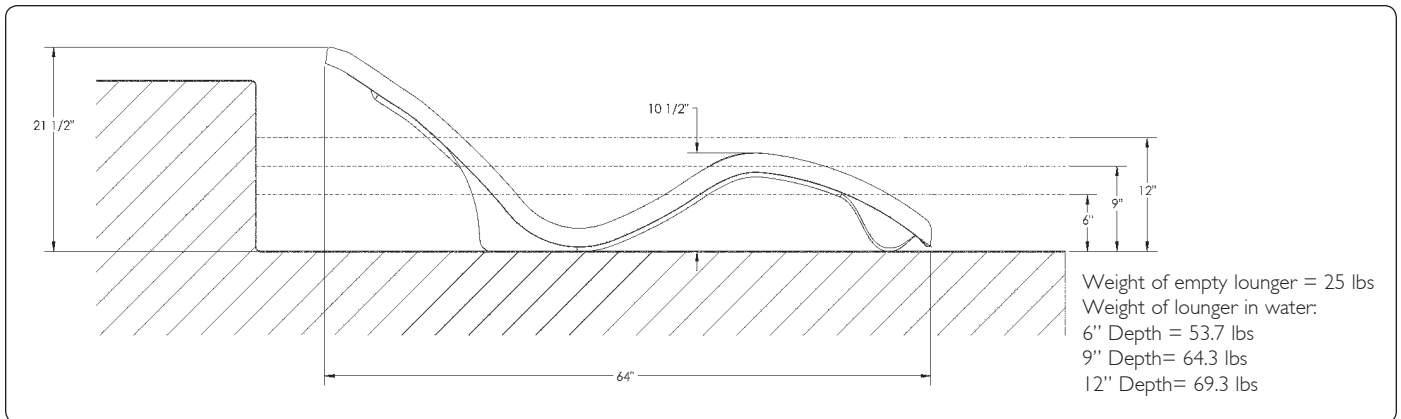
**IMPORTANT: Do not drag or slide pool lounge on the deck, doing so may cause abrasion to the underside of piece which could possibly cause damage to vinyl liners.**

**POOL LOUNGER CARE & MAINTENANCE:**

Your Pool Lounge requires periodic maintenance to keep it looking like new and protected from the elements.

- Wash Pool Lounge monthly or more frequently if needed using a mild soap and soft cloth. Keep cleaning materials from entering pool.
  - Do not use abrasive cleaners, bleaches, chlorines, high alkaline or strong acidic cleaners.
  - Do not use steel wool, wire brushes, metal scrapers, Scotchbrite or other abrasive sponge pads.
- Keeping your Pool Lounge's gel coat finish coated with wax - starting when the lounge is new - is the best way to prolong its life.
  - Choose a wax intended for use on gel coat surfaces. Preferably one designed for use in a Marine environment.
  - Test product on small inconspicuous section of Pool Lounge prior to full application.
  - While application instructions will vary between brands of wax, in general you apply the wax with a cloth or foam pad using circular motion. Once wax dries to a haze, buff the excess with a soft dry cloth.
  - Routine waxing (at least twice a year) will maintain the smooth reflective surface of your Pool Lounge.

**USE & CARE INSTRUCTIONS:**



Pool Lounger Dimensions

**REMOVE PACKAGING BEFORE PLACEMENT ON DECK OR IN POOL.**

**TIPS FOR IN-POOL USE:**

Minimum sun shelf dimensions: 6' x 3'.

Set Pool Lounger carefully on your sun shelf in desired position. Push down Pool Lounger to ensure that it begins to fill with water through several inconspicuous water holes placed throughout the Pool Lounger.

Should you need to remove the Pool Lounger from the pool, it is recommended that you empty the water from the Pool Lounger first. With one person on each end of the lounger, lift the Pool Lounger above pool water level. You will see the water draining through the drain holes in select areas underneath the Pool Lounger. (See Figures 1 and 2)



Figure 1

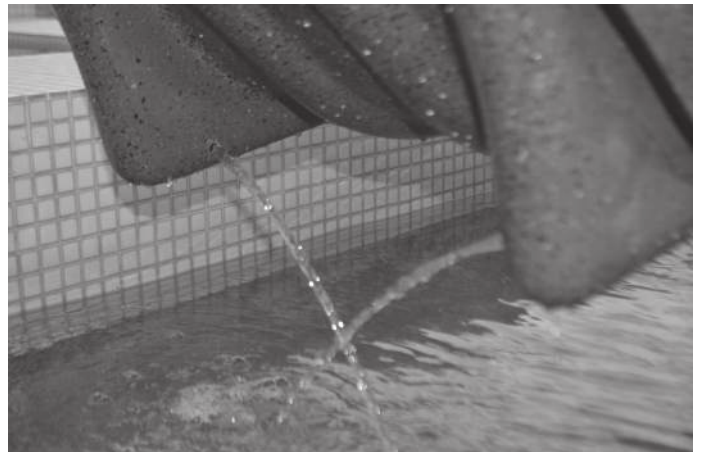


Figure 2

**NOTE: DO NOT DRAG OR SLIDE THE POOL LOUNGER ALONG THE VINYL LINER OR OTHER POOL SURFACES.**

**Warranty Information**

For product warranty information and details, please visit our website at [www.srsmith.com/warranty](http://www.srsmith.com/warranty).

