



POOL LIFT STABILITY STRAP

INSTALLATION & MAINTENANCE MANUAL



S.R. SMITH, LLC
1017 SW Berg Parkway
Canby, OR 97013 USA
Phone: 503.266.2231 Fax: (503) 266-4334
Toll Free: 800.824.4387
www.srsmith.com

TABLE OF CONTENTS

INTRODUCTION & PRODUCT OVERVIEW	2
COMPONENT DESCRIPTION & OPERATION	2
ASSEMBLY & INSTALLATION	3
OPERATION & MAINTENANCE	4
LONG TERM STORAGE	5
SPECIFICATIONS & PARTS LIST	5

LIST OF FIGURES

Figure 1. Rear Side of the Seatback, showing mounting threads.....	3
Figure 2. View of 27" strap orientation on the Seatback.....	3
Figure 3. View of 32" strap orientation on the Seatback.....	4

INTRODUCTION

The purpose of this document is to provide information to the User relating to the installation, safe operation, care, and maintenance of the **STABILITY STRAP ASSEMBLY**.

INTENDED LIFT USER

All of S.R. Smith's lifts have been designed to assist individuals requiring assistance entering or exiting a swimming pool or spa - however, the User should not exceed the weight limit of the product (300 lb/136 kg to 400 lb/181 kg depending upon model). [It is the responsibility of the lift Owner to ensure that safety procedures are put in place and a risk assessment is completed. Mental or physical disabilities may require assisted transfer, and the Owner is responsible for determining the number of qualified attendants to complete the poolside transfer and the number of persons required to be in the water, ready to receive and assist the User.] The correct stabilizing system (seat belt, and/or stability strap) must be attached to the seat and fully fastened and used during each transfer.

Our goal is to provide our customers with the most advanced and innovative designs offering exceptional quality at affordable prices. All of our lifts meet the specifications set forth by the Access Board - ADAAG 2004 (US only), Medical Device Directive, 93/42/EEC, RoHS2 Directive 2011/65/EU, EN 50581:2012 and ISO10535:2006 including repeating the lifting cycle of the hoist (lift) for a total of 11,000 cycles. The lift system and AC powered battery charger complies with EN60601-1-2, 2007/03.

USING THE STABILITY STRAP ASSEMBLY

Obey all User Instructions listed in this manual whenever using lift. Obey all Caution, Warning, Operating Instruction(s) and Labels located on the lift whenever using. [It is the responsibility of the lift Owner to ensure safety procedures are put in place and a risk assessment is completed. Mental or physical disabilities may require assisted transfer, and the Owner is responsible for determining the number of qualified attendants to complete the poolside transfer and number of persons required to be in the water ready to receive and assist the User.] **If the lift will be used by a disabled person living on their own, a communication device should be installed in the pool area to call for assistance in the event of an emergency. Only persons healthy enough for water activities should use the lift. Users should consult with their physician to determine if water activities are appropriate. Keep fingers and hands clear of lift arms during use.**



WARNING: A SEAT BELT AND/OR STABILITY STRAP MUST BE ATTACHED TO THE SEAT AND FULLY FASTENED AND USED DURING EACH TRANSFER.

PRODUCT OVERVIEW

The Stability Strap Assembly is designed to secure the User in a S.R. Smith Lift Seat. The unit is constructed of high strength 4-Panel Nylon webbing and is UV and water resistant. It may be installed with the integral 6" Hand Loop strap on either the left or right side of the seat. This instruction manual describes installation for a right handed user to pull the strap free with their right hand. For left hand use, simply switch the straps to the opposite sides of the Lift Seat.

APPLICATION

For use with S.R.Smith lift products which are fitted with a 1-Piece Lift Seat. The straps mount to existing mounting holes on rear side of the seatback.

STABILITY STRAP ASSEMBLY

The Stability Strap Assembly is comprised of two 2" wide Nylon webbed straps, a 27" long strap and a 32" long strap. The 32" strap includes a 6" Hand Loop to allow the User to pull the two halves free of each other after each use.

TOOLS REQUIRED

#2 Phillips Screwdriver
Tape Measure

INSTALLING THE STABILITY STRAP

1. Identify the (2) #10-24 brass inserts on the rear side of the seatback as shown below with the Left-Right orientation noted:

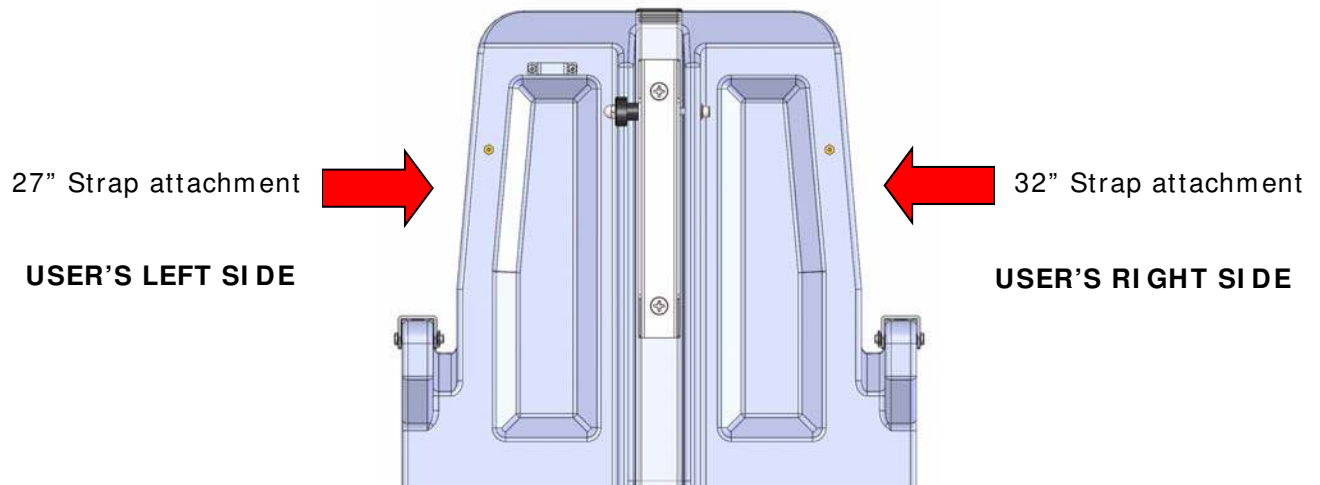


Figure 1. Rear Side of the Seatback, showing mounting threads.

2. Compare the length of the two straps and select the shorter strap for installation first.
3. Orient the shorter 27" [0.68m] strap on the User's left side (as sitting in seat) with the smooth side of the Strap (where the grommet is located) against the seatback. The end of the 27" Strap with the 9" length of Velcro™ should be facing away from the seatback and the grommet located over the hole in the insert

Note that this side has a 9" long strip of Velcro™ on the side of the strap away from the seatback

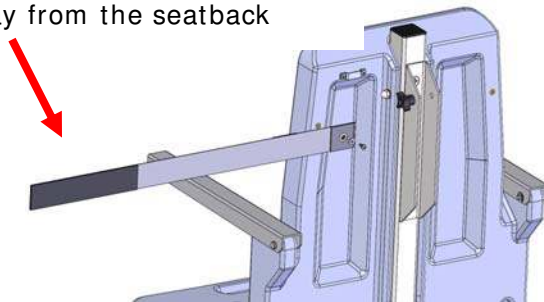
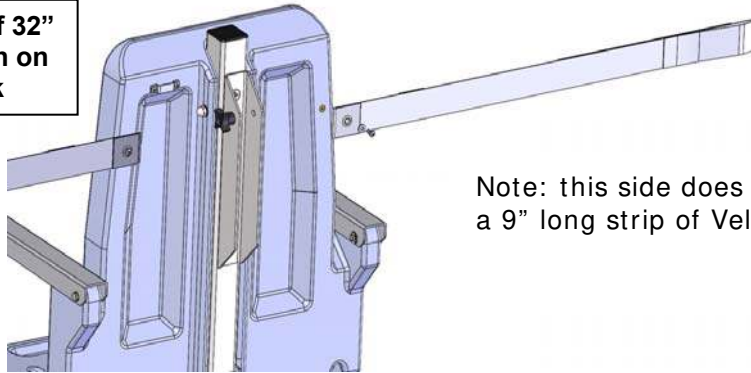


Figure 2. View of 27" strap orientation on the seatback.

4. Insert a #10-24 Screw through the #10 Flat Washer.
5. Insert the Screw through the ¼" hole in the Strap grommet and tighten with a #2 Phillips screwdriver.

Figure 3. View of 32" strap orientation on the seatback



Note: this side does **not** have a 9" long strip of Velcro™

6. Orient the longer 32" [0.81m] strap over the User's Right Side brass insert with the smooth side of the webbing against the seatback. The side of this long strap with 9" of Velcro™ should be facing toward the seatback.
7. Insert a #10-24 Screw through the #10 Flat Washer.
8. Insert screw through ¼" hole in the 32" Straps' grommet and into the threads in brass insert.
9. Tighten with a #2 Phillips screwdriver.
10. If the User prefers, the straps may be swapped, allowing for the Hand Loop to be used by the opposite hand.
11. Maintain the same orientation of the Velcro™ portions and follow previous instructions.

OPERATION

USING THE STABILITY STRAP

1. With the Stability Strap securely installed, the user takes their place in the seat.
2. Holding the short strap (without the Hand Loop), place it across the chest of the user.
3. Bring the other longer strap across and over the short strap, overlapping it, so as to engage the Velcro™ portions of the straps snugly.
4. Firmly press the two Velcro™ portions of the straps together.
5. To remove the strap after entering the water, the User or assistant may place their hand in the Hand Loop of the strap and pull it away from the short strap.

CLEANING THE STABILITY STRAPS

1. To clean the Stability Straps, simply use a laundry detergent based cleanser with warm water as you would with automotive seat belts.
2. Agitate the mix to a soapy consistency.
3. Remove the Straps from the Lift Seat and place them in the solution.
4. Allow the Straps to soak for several hours.
5. After soaking, use water and a soft brush to scrub the Straps.
6. Rinse with clean water.
7. For stubborn stains, apply a stain remover and scrub gently.
8. Rinse off the stain remover.
9. Allow the straps to dry.

LONG-TERM STORAGE

When storing the Stability Straps for an extended period of time keep the Stability Straps in a dry temperature controlled area and out of the sun.

SPECIFICATIONS

STABILITY STRAP ASSEMBLY (Part Number: 900-6000)

1. Specifications

Dimensions:

Short Strap - 2" W (5.1 cm) x 27" L (68.5 cm)
Long Strap - 2" W (5.1 cm) x 32" L (81.3 cm)

Weight:

Stability Strap Assembly < 0.5 lbs. (< 1 kg) with Hardware.

PARTS LIST

Part Number	Description	Quantity
900-6000-1	Stability Strap Set	1
800-0305	Screw - #10-24 Pan Head X .5 L	2
800-0315	Washer - #10 Fender	2