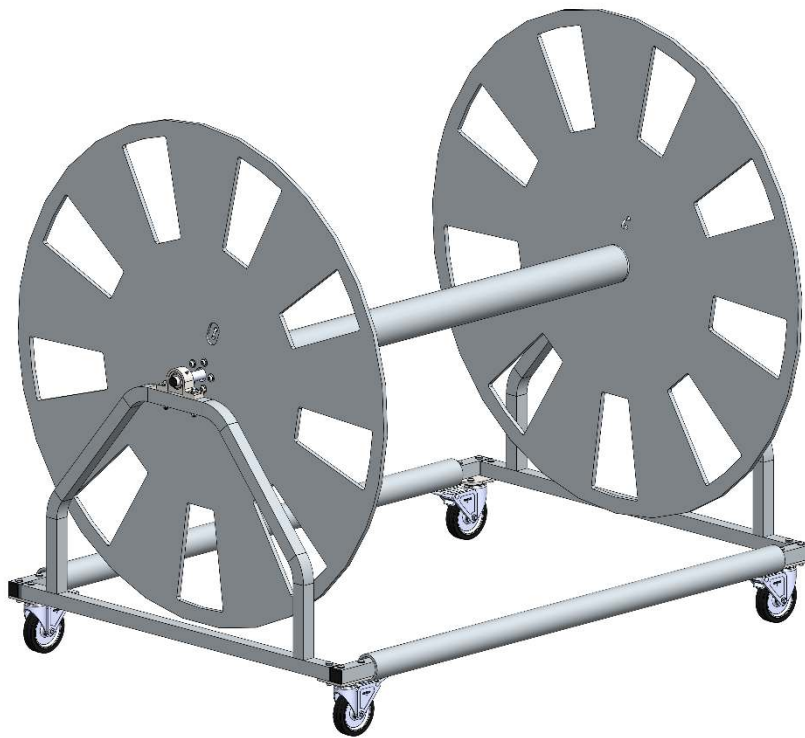




# XL Capacity Lane Line Reel

## ASSEMBLY INSTRUCTIONS



**SRS AUSTRALIA, PTY LTD**  
12 Enterprise St  
Richlands QLD 4077  
Australia  
Phone 07 3812 2283 • Fax 07 3812 1187  
[www.srsmith.com/au](http://www.srsmith.com/au)

**S.R. SMITH, LLC**  
CORPORATE HEADQUARTERS  
P.O. Box 400 • 1017 S.W. Berg Parkway  
Canby, Oregon 97013  
USA  
Phone (503) 266 2231 • Fax (503) 266 4334  
[www.srsmith.com](http://www.srsmith.com)

## Table of Contents

<u>Topic</u>	<u>Page #</u>
Introduction.....	2
Application.....	2
Parts List.....	3
Assembly Instructions.....	4
Assembled Reel Structural Checklist.....	7
Care and Maintenance	7

## **INTRODUCTION**

---

**THE XL CAPACITY LANE LINE REEL IS DESIGNED AND MANUFACTURED FOR USE ON INGROUND SWIMMING POOLS ONLY. PROPER AND COMPLETE ASSEMBLY, USE AND SUPERVISION IS ESSENTIAL FOR PROPER OPERATION AND TO REDUCE THE RISK OF ACCIDENT OR INJURY.**

### **\*\*IMPORTANT\*\***

Check entire boxes and inside all packing materials for parts. Before beginning assembly, read the instructions and identify parts using the figures and parts listed in this document. It is critical that all parts be carefully inspected by the installer prior to installation to ensure that no damage occurred in transit and that a damaged part is not used. Proper installation cannot be overstressed, as an improper installation voids S.R. Smith's warranty and may affect the safety of the user.

## **APPLICATION**

---

The XL Capacity Lane Line Reel is designed to remove, store, and place lane lines in a competitive pool environment. It is important to follow these steps when using the product:

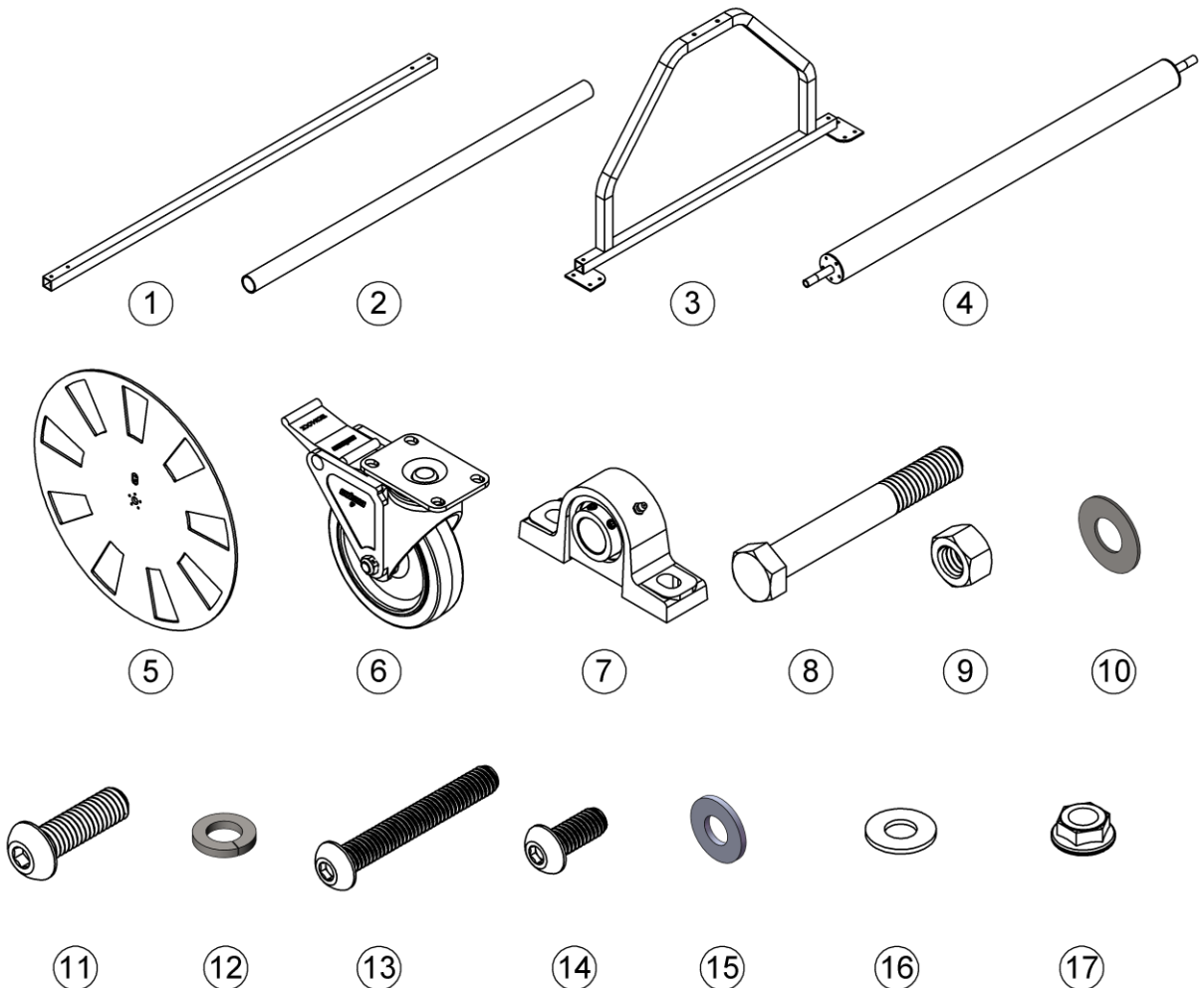
1. Always lock the casters with the heel brake when removing, storing, or placing lane line.
2. Always move the reel with a minimum of two people.
3. Never remove, store, or place lane lines if the storage reel is on a sloped surface.

# XL CAPACITY LANE LINE REEL PARTS LIST

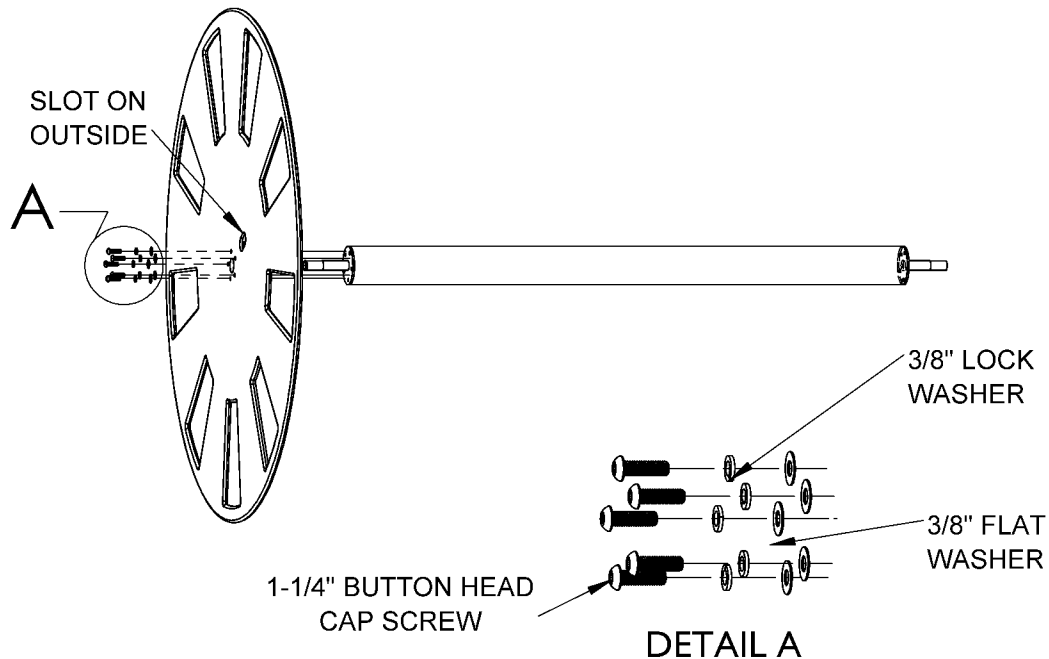
ITEM #	PART #	DESCRIPTION	QTY.
1	38210	Side Support	2 ea.
2	05-720	2" Schedule 40 x 5' White PVC Tubing	2 ea.
3	38220	End Support	2 ea.
4	38230	Spool	1 ea.
5	38240	HDPE Wheel Hub	2 ea.
6	36252	5" Locking Casters	4 ea.
7	4-705	Pillow Block Bearing, 1" Bore, SS	2 ea.
8	05-375-275	3/8-16 X 2 3/4 Hex Bolt SS	4 ea.
9	05-183-11	3/8"-16 Nut, 316SS	4 ea.
10	5-145-MG	3/8" Flat Washer, 316SS	18 ea.
11	38252	3/8"-16 x 1-1/4" Button Head Cap Screw, SS	10 ea.
12	5-151-MG	3/8" Split Lock Washer, 316SS	10 ea.
13	5-105-225	5/16"-18 x 2 1/4" Button Head Cap Screw, SS	12 ea.
14	5-105-75	5/16"-18 x 3/4" Button Head Cap Screw, SS	4 ea.
15	05-625	5/16" Nylon Washer	16 ea.
16	5-303	5/16" Flat Washer, SS	16 ea.
17	5-658	5/16" Flanged Nut, SS	16 ea.

## Tools Required:

1. 7/32" Hex key
2. 2x 9/16" sockets and ratchet handle OR 9/16" wrenches
3. 3/16" hex key
4. 1/2" Socket or wrench
5. 9/64" hex key
6. Anti-seize compound (included)



## ASSEMBLY INSTRUCTIONS

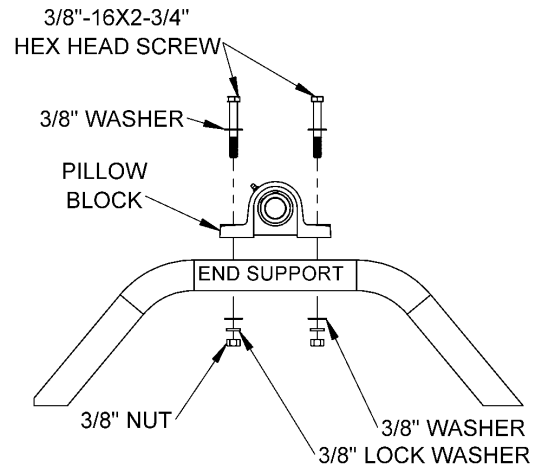


**QUALITY:**  
**APPLY INCLUDED ANTI-SEIZE TO STAINLESS-STEEL THREADS**  
**WHEN FASTENING. THIS PREVENTS THE SCREW FROM GALLING.**

**Figure A**

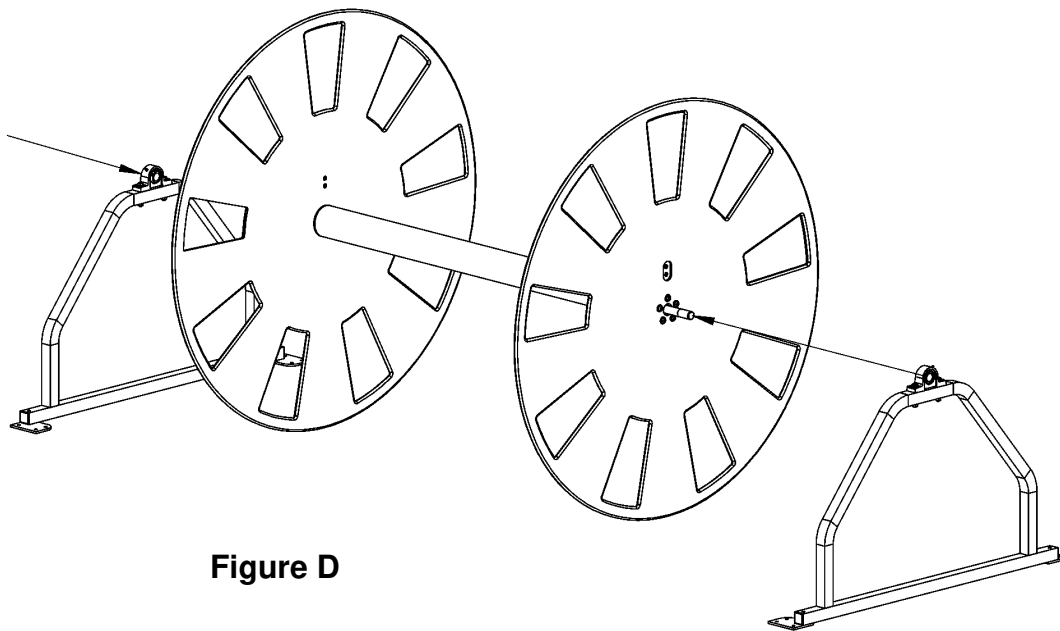
- 1) Attach hubs to spindle.
  - a. Use unfolded shipping box as an assembly surface. This protects components from scratches.
  - b. Slide a disc over spindle arm of the spool. Repeat this on the other end of the spool. The large hole faces inward as shown. Rotate hub until hole patterns align.
  - c. Fasten disc to spindle with the wider flat washer, lock washer, and 1-1/4" long button head cap screw. Tighten with a 7/32" hex key. Repeat for remaining holes.
  - d. Repeat steps 1b., 1c., and 1d. for the second disc.

- 2) Fasten a pillow block to each end frame with a 3/8"-16 x 2-3/4" hex head screw, 3/8" washers on each side, and a 3/8" hex nut support. Refer to Figure B.



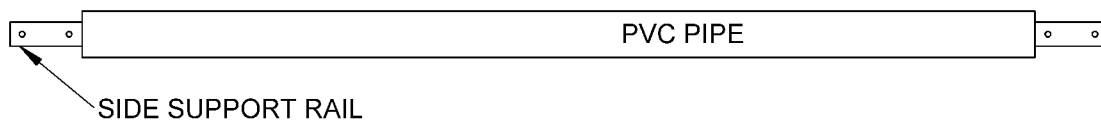
**Figure B**

- 3) Slide the end support with axle bushings over the spindle arm of the spool until flush with wheel. Use a dead blow hammer as necessary to start and drive the end supports into the shaft. Repeat on the other end of the spool. The long portion of the axle housing should face toward the wheel hubs. Refer to Figure C.

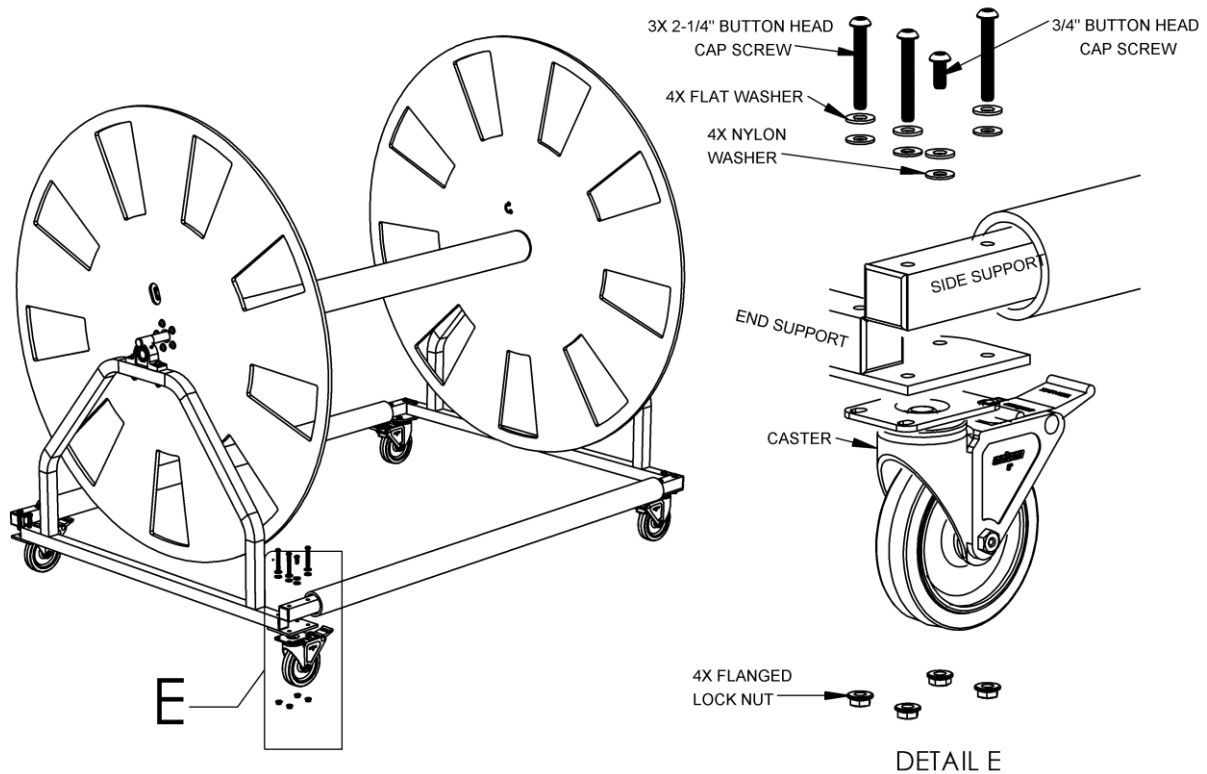


**Figure D**

- 4) Slide PVC tube around the side support rail.



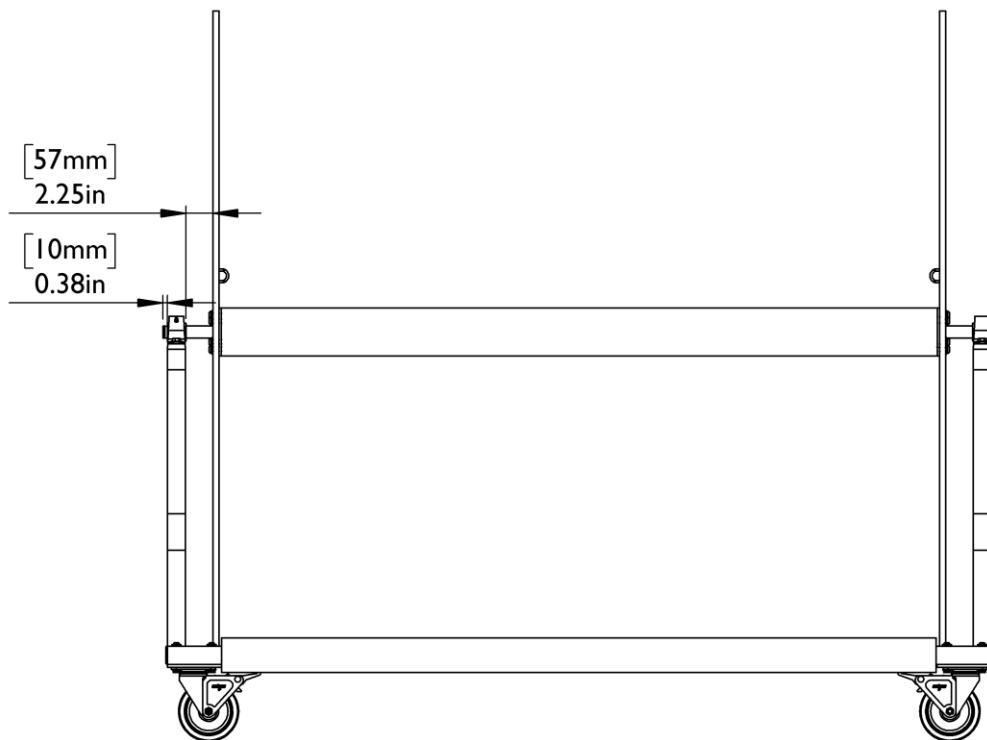
**Figure C**



**Figure E**

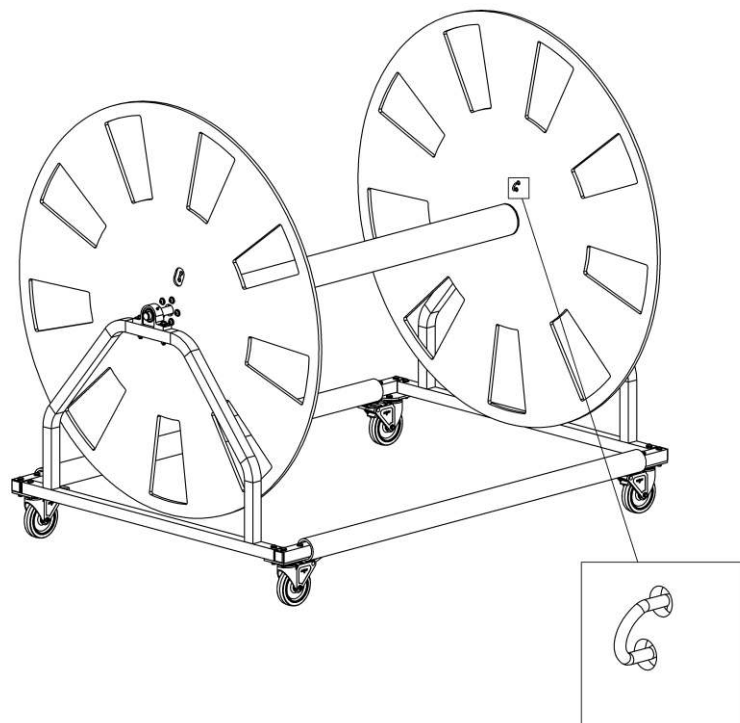
**QUALITY:**  
**APPLY INCLUDED ANTI-SEIZE TO STAINLESS-STEEL THREADS**  
**WHEN FASTENING. THIS PREVENTS THE SCREW FROM GALLING.**

- 5) Place the side support rails on the plates of the end support pieces. Then bolt through the frame and caster as shown in Figure D.
  - a. Place a 5/16" ID stainless-steel flat washer and nylon washer around 3x 5/16"-18 X 2 1/4" long screws. Insert screws through the aligned holes of the square tube, welded plate, and caster. Apply anti-seize compound to the screw thread and fasten with 5/16" lock nut. Use 3/16" hex key and 1/2" socket.
  - b. Place a 5/16" ID stainless-steel flat washer and nylon washer around a 5/16"-18 X 3/4" long screw. Insert screws through the aligned holes of the welded plate and caster. Apply anti-seize compound to the screw thread and fasten with 5/16" lock nut.
  - c. Repeat Steps 4a. and 4b. for the remaining three casters.



**Figure F**

- 6) Center the spindle, leaving 2" between the pillow block and the outside of the spool end. Tighten the set screw on the pillow block with a 9/64" hex key to secure the spindle in place.
- 7) To attach lane line to the reel, either hook directly into the holes as shown or string the included polychord strand through the holes and knot on the outside.



**Figure G**

## **ASSEMBLED LANE LINE REEL STRUCTURAL CHECKLIST**

---

1. Inspect all fasteners to make sure they are fully tightened.
2. Inspect the spool to ensure that it spins freely
3. Apply each caster's brake independently to confirm that they each hold.
4. Move the reel in each direction to ensure that nothing is impeding the casters' rotation or roll.

## **WARRANTY & PRODUCT REGISTRATION INFORMATION**

For warranty information and details, please visit  
[www.srsmith.com/en-us/customer-service/warranty-information/](http://www.srsmith.com/en-us/customer-service/warranty-information/)

Register your S.R. Smith product at  
[www.srsmith.com/en-us/customer-service/product-registration/](http://www.srsmith.com/en-us/customer-service/product-registration/)

For care & maintenance information, please visit  
[www.srsmith.com/en-us/customer-service/care-maintenance/](http://www.srsmith.com/en-us/customer-service/care-maintenance/)