

Deluxe 1 & 3 Meter Towers



CAT-3M-203R
Right Mount



CAT-1M-203H
Heel Mount

- Made of carbon steel, primed and ready for a high-quality acrylic urethane enamel paint
- Available in 1 or 3 meter heights with either a dual, heel, left or right mount ladder
- Pair with 14' or 16' diving boards
- Handrails are included and are made of 1.90" OD, .065" wall stainless steel
- Comes standard with a quick adjustable fulcrum (QAF-100) and stainless steel handrails
- T-bar hinge allows board to pivot up

Stand		Shipping			
Model No.	Description	Weight	Length	Width	Height
CAT-1M-203D	1 Meter Tower Dual Mount	1000 lbs 454kg	132" 335cm	40" 102cm	48" 122cm
CAT-1M-203H	1 Meter Tower Heel Mount	1000 lbs 454kg	132" 335cm	40" 102cm	48" 122cm
CAT-1M-203HA	1 Meter Tower Heel Mount w/alternate jig	1000 lbs 454kg	132" 335cm	40" 102cm	48" 122cm
CAT-1M-203L	1 Meter Tower Left Mount	900 lbs 408kg	132" 335cm	40" 102cm	48" 122cm
CAT-1M-203R	1 Meter Tower Right Mount	900 lbs 408kg	132" 335cm	40" 102cm	48" 122cm
CAT-3M-203D	3 Meter Tower Dual Mount	1400 lbs 635kg	132" 335cm	40" 102cm	48" 122cm
CAT-3M-203H	3 Meter Tower Heel Mount	1250 lbs 567kg	132" 335cm	40" 102cm	48" 122cm
CAT-3M-203HA	3 Meter Tower Heel Mount w/alternate jig	1250 lbs 567kg	132" 335cm	40" 102cm	48" 122cm
CAT-3M-203L	3 Meter Tower Left Mount	1175 lbs 533kg	132" 335cm	40" 102cm	48" 122cm
CAT-3M-203R	3 Meter Tower Right Mount	1175 lbs 533kg	132" 335cm	40" 102cm	48" 122cm

Notes:

- Not recommended for salt pools
- To order a tower without jig add -A to the end of the part number
- Ships from Oregon facility only
- Boards sold separately

All installations must comply with all applicable local and national codes and installation must be completed in accordance with S.R.Smith installation instructions.

Parts & Hardware:

- QAF-100 Quick Adjustable Fulcrum
- 12-102 Tie Down Assembly (for 1 & 3 M)
- 12-108 Front Post Anchor Jig
- 6-114 Treads
- 13-105 Ladder Anchor Jig
- 13-106 Heel Post Anchor Jig
- 12-111H Heel Mount Tray Hardware Assembly

Pre-Order Anchors for New Construction

Tower Style	Anchor Jigs Needed
Heel Mount	12-108 & 13-105
Side Mount (left or right)	12-108, 13-105 & 13-106
Dual Mount	12-108 & two 13-105

Compatible with:



Frontier III Commercial (14' + 16')



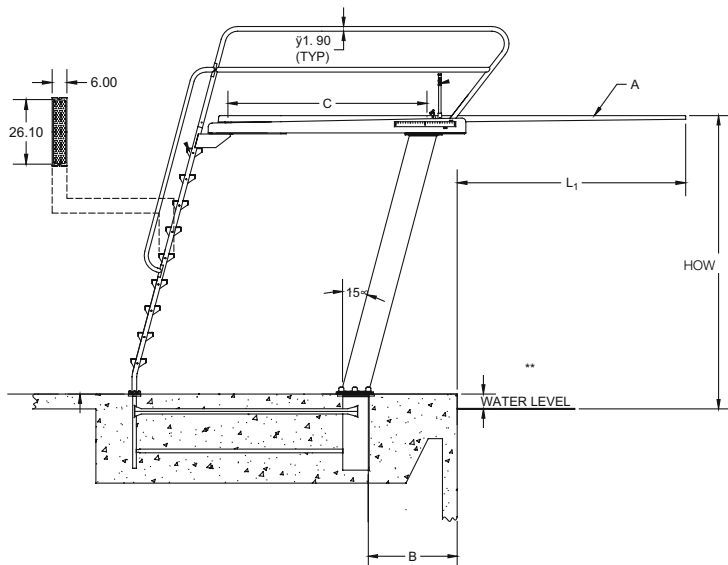
Swim Club (14' + 16')



Eureka (14' + 16')



Olympian (14' + 16')



Installation Dimensions

Model	Board (A)	Pool Type	Distance for setting front bolt of jig from water's edge (B)	Fulcrum setting (C ±6")	Minimum overhang (L1)	Maximum height of board above water (HOW)
1 Meter	14'	VIII	36-5/16"	74"	4'-0"	39-3/8"
1 Meter	16'	VIII	60-5/16"	86"	4'-0"	39-3/8"
1 Meter	14'	IX	12-5/16"	74"	6'-0"	39-3/8"
1 Meter	16'	IX	36-5/16"	86"	6'-0"	39-3/8"
3 Meter	14'	IX	33-1/4"	74"	6'-0"	118-1/8"
3 Meter	16'	IX	57-1/4"	86"	6'-0"	118-1/8"

- Notes:**
- Consult your local installation design codes to determine stand sizes and board lengths
 - Diving boards and towers are sold separately
 - See 1 & 3 Meter Tower Installation Booklet for pool type and installation instructions

CAT-1M-203L
Left Mount



CAT-3M-203D
Dual Mount

