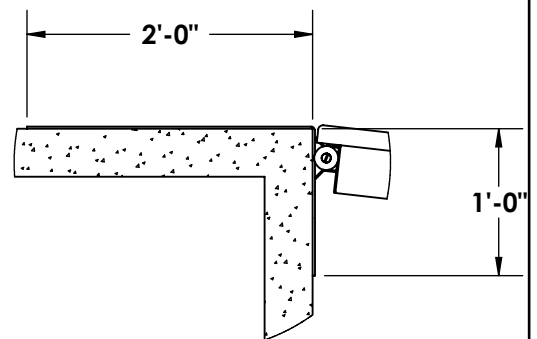
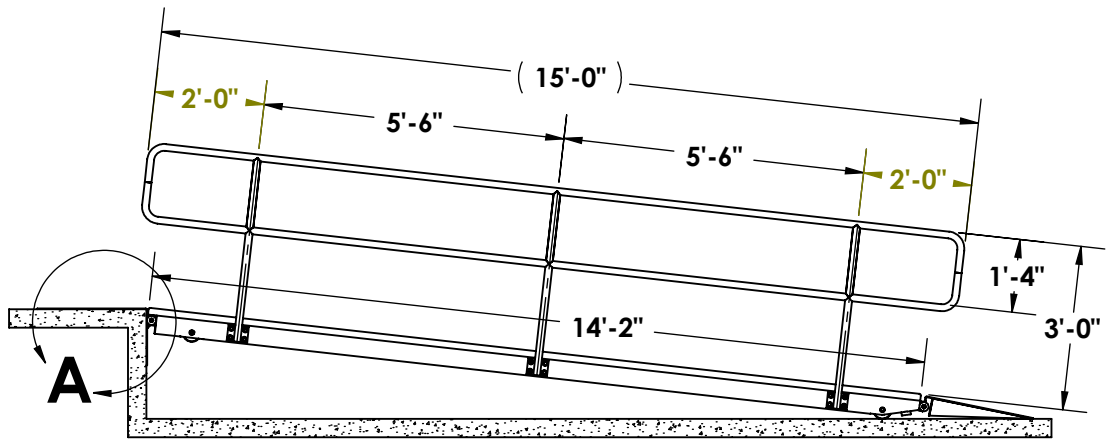
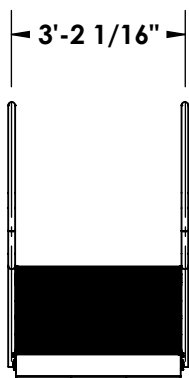
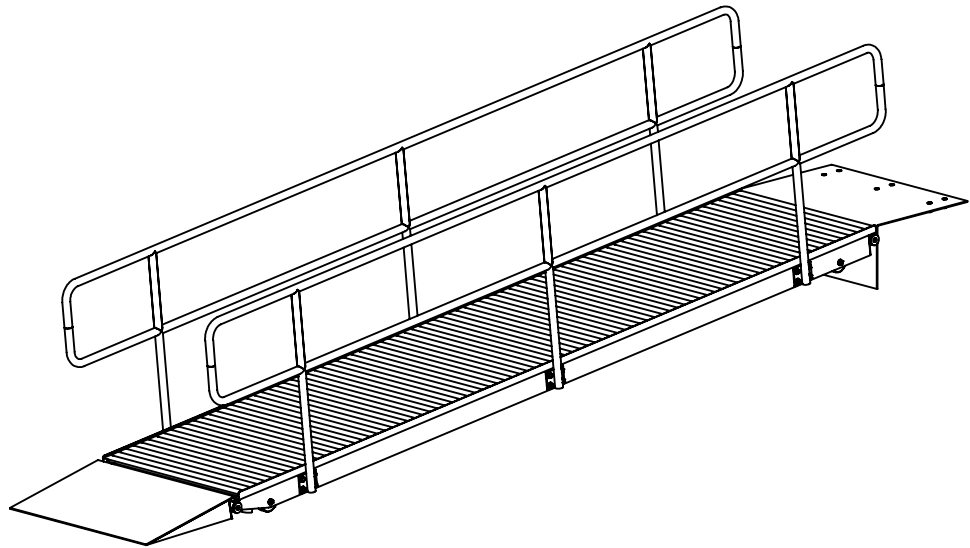


MODEL - ACCESS RAMP



 Dimensions vary with specific applications.

*Note: Specifications are nominal and are subject to change.

Please contact Spectrum Products for custom applications.

DETAIL A
SCALE 1:16

SPECTRUM
Products

7100 Spectrum Lane
Missoula, Montana 59808
406.542.9781 * 800.791.8056
Fax: 406.542.1158
www.spectrumproducts.com

ENGINEERING DATA

PRODUCT:	ACCESS RAMP
PRODUCT #:	
REVISION:	X1+
MATERIAL:	