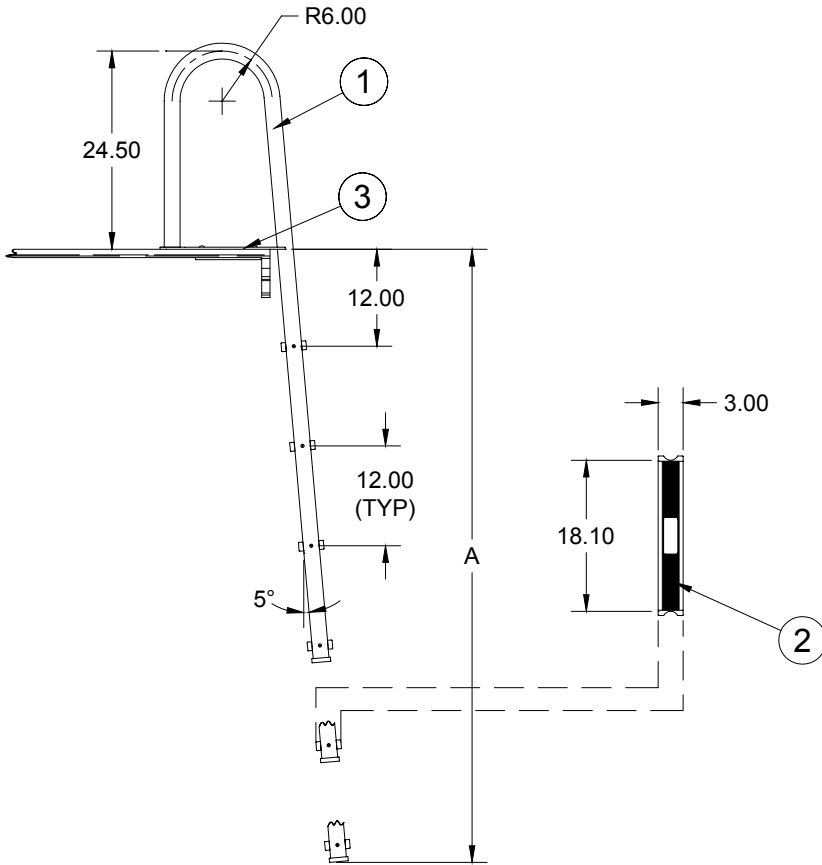
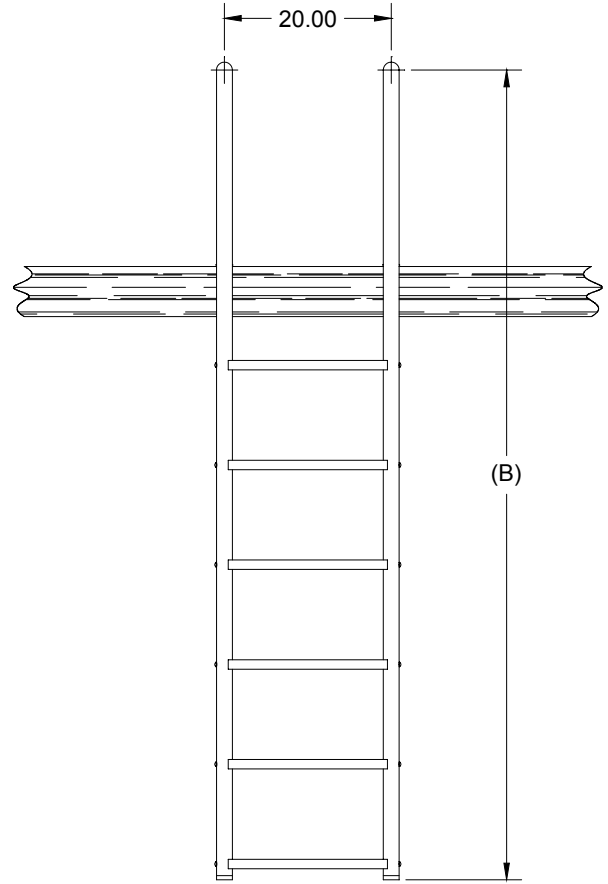


12-Inch Commercial Dock Ladder



SIDE VIEW



FRONT VIEW

MODEL NUMBER	A	(B)
LLS-4, LLS-4-MG (Marine Grade)	49.00	73.50
LLS-5, LLS-5-MG	61.00	85.50
LLS-6, LLS-6-MG	73.00	97.50

Specification Number:	SRS-502		
Product Description:	12-Inch Commercial Dock Ladder		
S.R. Smith Part Number:	LLS-4 to LLS-6-MG	Scale:	NTS
Revision:	A	Date:	05/23/03
Written By:	T. Weil	Date:	05/23/03
Approved By:	B. Bisceglia	Date:	05/23/03
Page 1 of 2	Proprietary and confidential: The information contained in this specification is the sole property of S.R. Smith LLC. Any reproduction in part or whole without the written consent of S.R. Smith LLC is prohibited.		

S.R. Smith, LLC
P.O. Box 400, 1017 SW Berg Parkway
Canby, Oregon 97013
Tel: (888) 677-7776 (503) 266-2231
Fax: (503) 266-4334
www.srsmith.com



S.R. Smith LLC Commercial Division

Product Specifications - Written

Product Name: 12-Inch Commercial Dock Ladder

Part Number: LLS-4 to LLS-6-MG

General Notes:

The **12-Inch Dock Ladder** is a moderate height ladder. A keyhole tie down plate allows the ladder to be easily locked and unlocked from the deck. The frames and steps are polished type 304 stainless steel. The ladder is available in 4, 5, or 6 steps.

Application:

This ladder is suitable for use in commercial applications in most geographic areas.

Specifications:

- 1 **Frame:** The frames are made of 1.9" O.D. x .065 (48.3mm x 1.65) type 304 stainless steel and all bends are a nominal 6" (152.4mm) radius. The ladder frames rest against the top edge of the dock and extend at a nominal 5° angle. The lower ends of the frames are fitted with white rubber bumpers.
- 2 **Steps:** The steps are constructed of polished 304 stainless steel with nominal dimensions of 3" x 20 (76.2mm x 508). The step frames have replaceable, black, non-skid tread inserts.
- 3 **Keyhole Tie Down Plate:** This polished 304 stainless steel plate measures 1/4" x 2 x 15 (6.35mm x 50.8 x 381) and is welded to the frame. Keyholes are punched into the plate and allow for the ladder to easily be removed from docks and other appropriate surfaces. The plate slips over mounting bolt heads to lock the ladder in place. Mounting bolts are not included.

Additional Product Numbers and Shipping Weight:

Model Number	Description	Shipping Weight
LLS-4	4-Step Ladder	60 lbs (27.2kg)
LLS-5	5-Step Ladder	65lbs (29.5kg)
LLS-6	6-Step Ladder	70 lbs (31.8kg)
LLS-4-MG	Marine Grade 316 Stainless Steel 4-Step Ladder	60 lbs (27.2kg)
LLS-5-MG	Marine Grade 316 Stainless Steel 5-Step Ladder	65lbs (29.5kg)
LLS-6-MG	Marine Grade 316 Stainless Steel 6-Step Ladder	70 lbs (31.8kg)

Specification Number:	SRS-502		S.R. Smith, LLC P.O. Box 400, 1017 SW Berg Parkway Canby, Oregon 97013 Tel: (888) 677-7776 (503) 266-2231 Fax: (503) 266-4334 www.srsmith.com
Product Description:	12-Inch Commercial Dock Ladder		
S.R. Smith Part Number:	LLS-4 to LLS-6-MG		
Revision:	A	Date: 05/23/03	
Written By:	T. Weil	Date: 05/23/03	
Approved By:	B. Bisceglia	Date: 05/23/03	
Page 2 of 2	Proprietary and confidential: The information contained in this specification is the sole property of S.R. Smith LLC. Any reproduction in part or whole without the written consent of S.R. Smith LLC is prohibited.		