

- NOTES:**
- THESE ARE FINISHED DIMENSIONS READY FOR THE LINER.
  - DIMENSIONS ARE FROM INSIDE POOL PANELS.
  - ROPE AND FLOAT ASSEMBLY SHOULD BE INSTALLED IN ACCORDANCE WITH CURRENT ANSI/ASPS/ICC REGULATIONS
  - HYDRA LINER TRACK FOR STEPS IS INSTALLED WITH THE BARB FACING THE RISER WALL ON THE STEP.
- EXCAVATION NOTES:**
- ROUGH EXCAVATION SHOULD BE 2" DEEPER IN EACH INSTANCE.
  - SOIL TO HAVE MINIMUM BEARING CAPACITY OF 1500 PSF.
  - LOCATE TOP OF POOL AT LEAST 6" ABOVE THE SURROUNDING LAND ELEVATION.
  - SEE "OVER DIG DETAIL", IN INSTALLATION MANUAL, FOR EXCAVATION AROUND POOL.
  - FILL VOIDS UNDER BASE OF PANELS AND TAMP WELL.
  - BACK FILL WITH NON-EXPANSIVE MATERIAL.
  - FOLLOW ALL CURRENT ANSI / APSP / ICC GUIDELINES FOR RESIDENTIAL POOLS

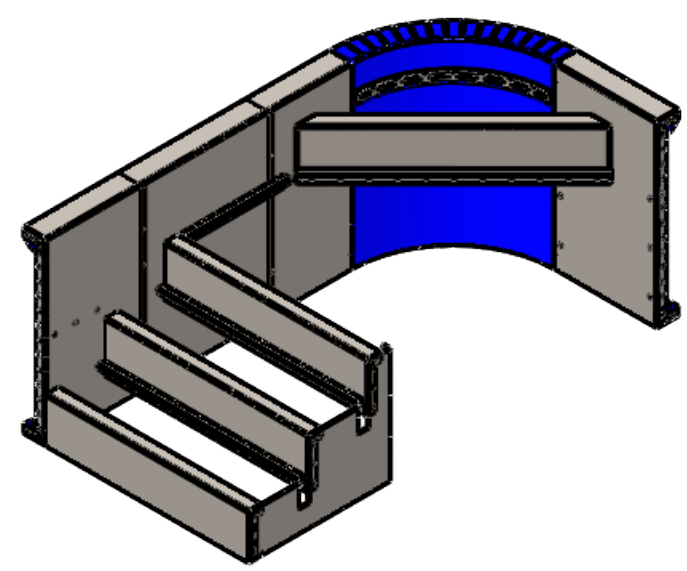
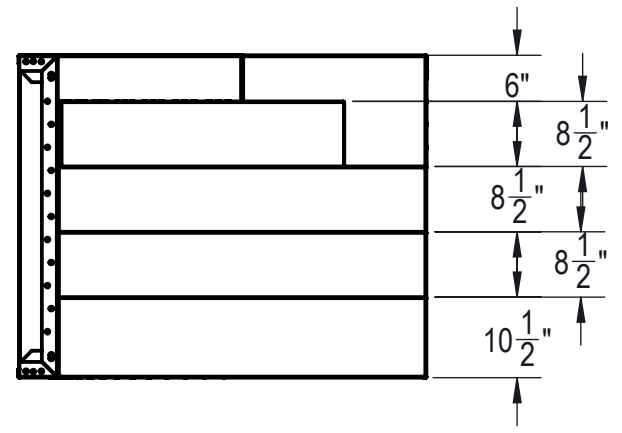
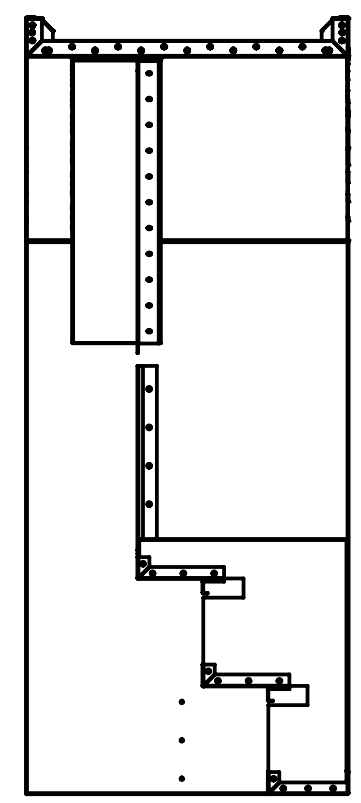
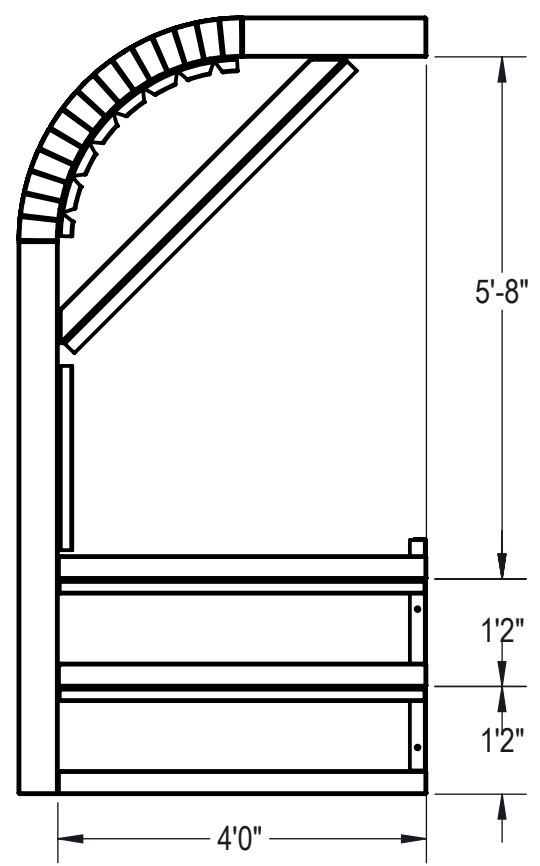
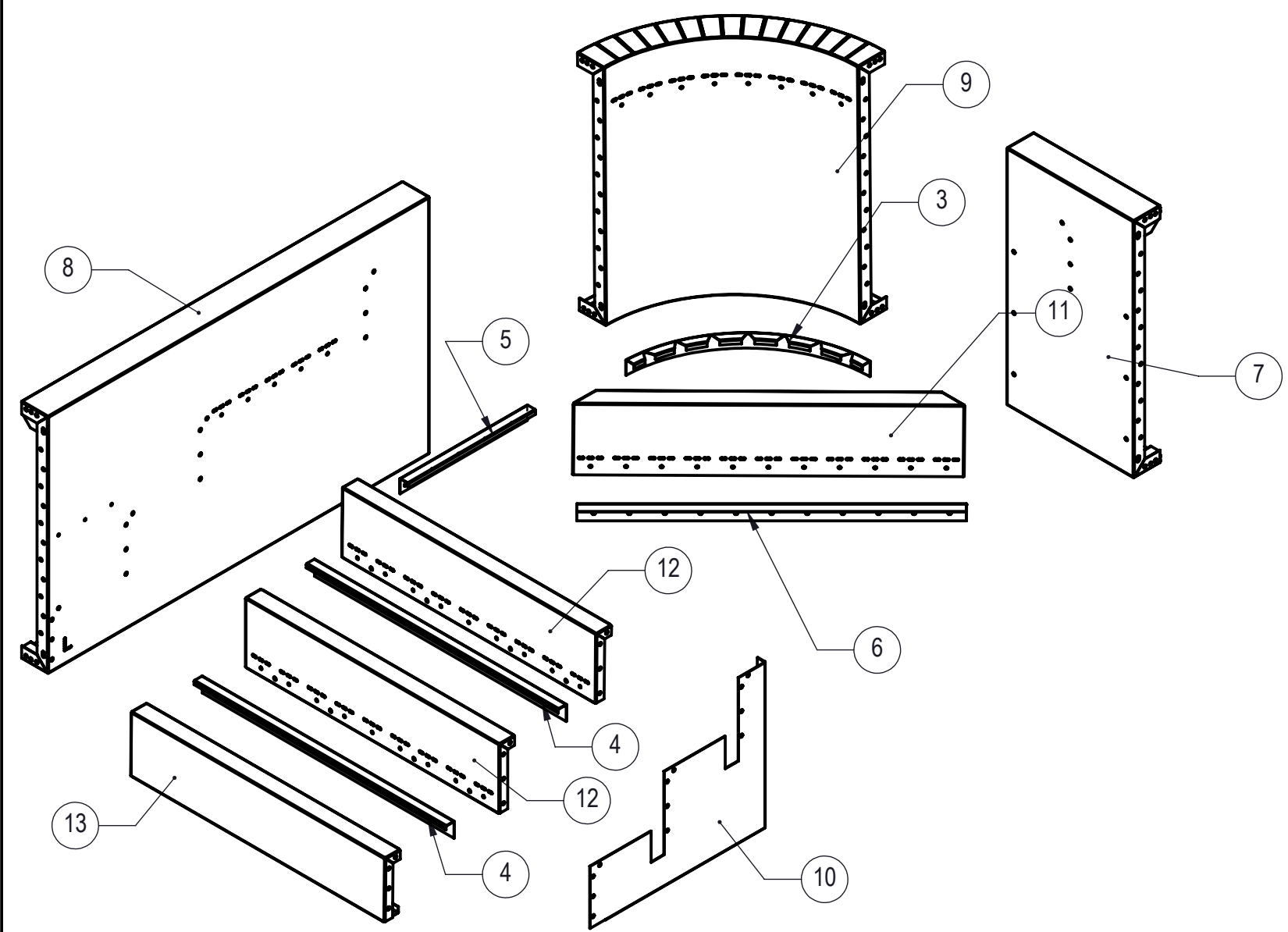
**IMPORTANT NOTES:**

THIS DOCUMENT IS FOR ILLUSTRATIVE PURPOSES ONLY. THE DEALER OR CONTRACTOR WHO SELLS OR INSTALLS YOUR POOL IS AN INDEPENDENT CONTRACTOR AND IS NOT AN AGENT OF THE MANUFACTURER. THE CONSTRUCTION METHODS ILLUSTRATED HERE ARE SUGGESTIONS AND APPLY ONLY TO NORMAL GROUND CONDITIONS. THERE MAY BE ADDITIONAL PRECAUTIONS AND/OR METHODS OF CONSTRUCTION. PROPER INSTALLATION IS THE RESPONSIBILITY OF THE DEALER/BUILDER/CONTRACTOR.

ITEM	FILE NAME	DESCRIPTION	CUSTOMER DRAWING #	VENDOR PART #	QTY.
1	00034950	STEP, CORNER TOP TREAD, 4" X 8", 2' RADIUS, 4 TREAD, LEFT, OPEN POUR, TANNING LEDGE, SUB ASSEMBLY	HSSM34950	HSSM34950	1
2	00034990	STEP, CORNER TOP TREAD, 4" X 8", 2' RADIUS, 4 TREAD, RIGHT, OPEN POUR, TANNING LEDGE, SUB ASSEMBLY	HSSM34990	00034990	1
3	00034420	STEP, CORNER TOP TREAD, 4" X 8", 6' RADIUS, 4 TREAD, 4 SECTION, OPEN POUR, TANNING LEDGE, SUB ASSEMBLY	HSSM34420	00034420	2
4	HPSFOB	ASSEMBLY, FOLD OVER BRACE, WITH TURNBUCKLE	HPSFOB		3
5	BOLT, PACK	BOLT, FLANGE, 3/8-16 X 1", PACK (50)	HPS1916	HPS1916	3

ENGINEERING DRAWING NUMBER <b>00034993</b>	WEIGHT: lbs	<b>UNLESS OTHERWISE SPECIFIED</b> DIMENSIONS ARE IN INCHES TOLERANCES DECIMALS: X ± XX ± XXX ± XXXX ± ANGULAR: X ± 0.5 THIRD ANGLE PROJECTION 	DESIGNED BY: ADOLD	CREATION DATE: 2/1/2021	<b>SAMSON STEEL</b>  TITLE: STEP, CORNER TOP TREAD, 8' X 16', 2' RADIUS, 4 TREAD, OPEN POUR, 5'8" TANNING LEDGE, ASSEMBLY  PART NUMBER: <h1 style="margin: 0;">HSS34993</h1>
	VOLUME: Inch <sup>3</sup>		DETAILED BY: adold	DETAILED DATE: 2/1/2021	
	COLOR:		LAST REVISED BY: adold	LAST REVISED DATE: 2/1/2021	
	HEAT TREAT:		MATERIAL:	SCALE: 1:32 SHEET: 1 OF 4 SIZE: B	
FINISH:					
TEXTURE:					

REVISION HISTORY				
REV.	DESCRIPTION	DATE	ECO	BY
A	RELEASED FOR PRODUCTION	12/22/2020		adold



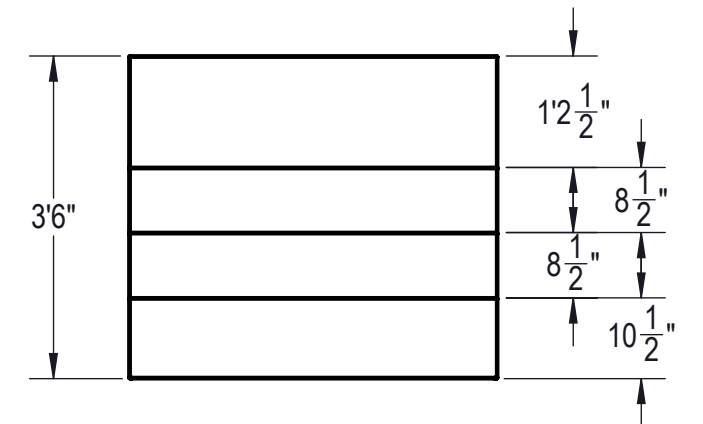
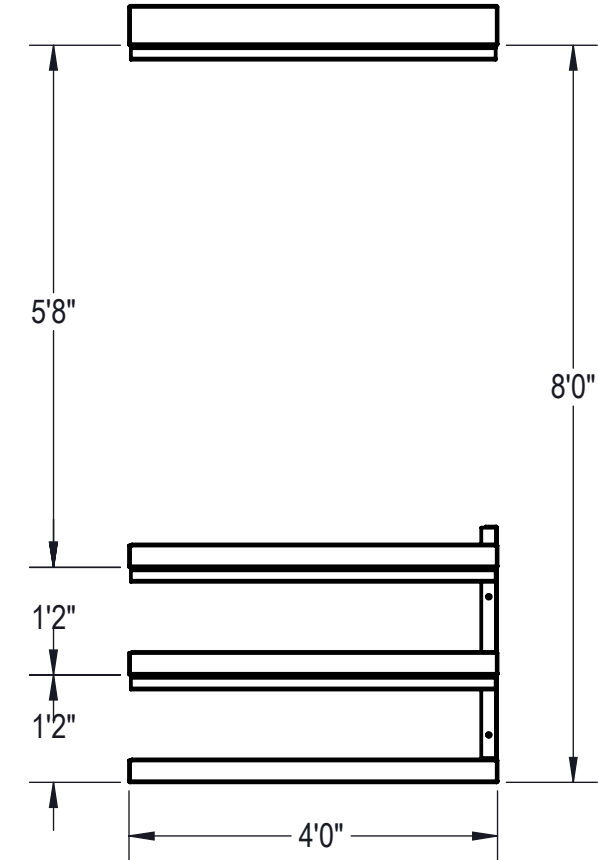
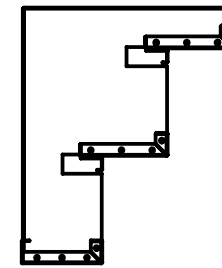
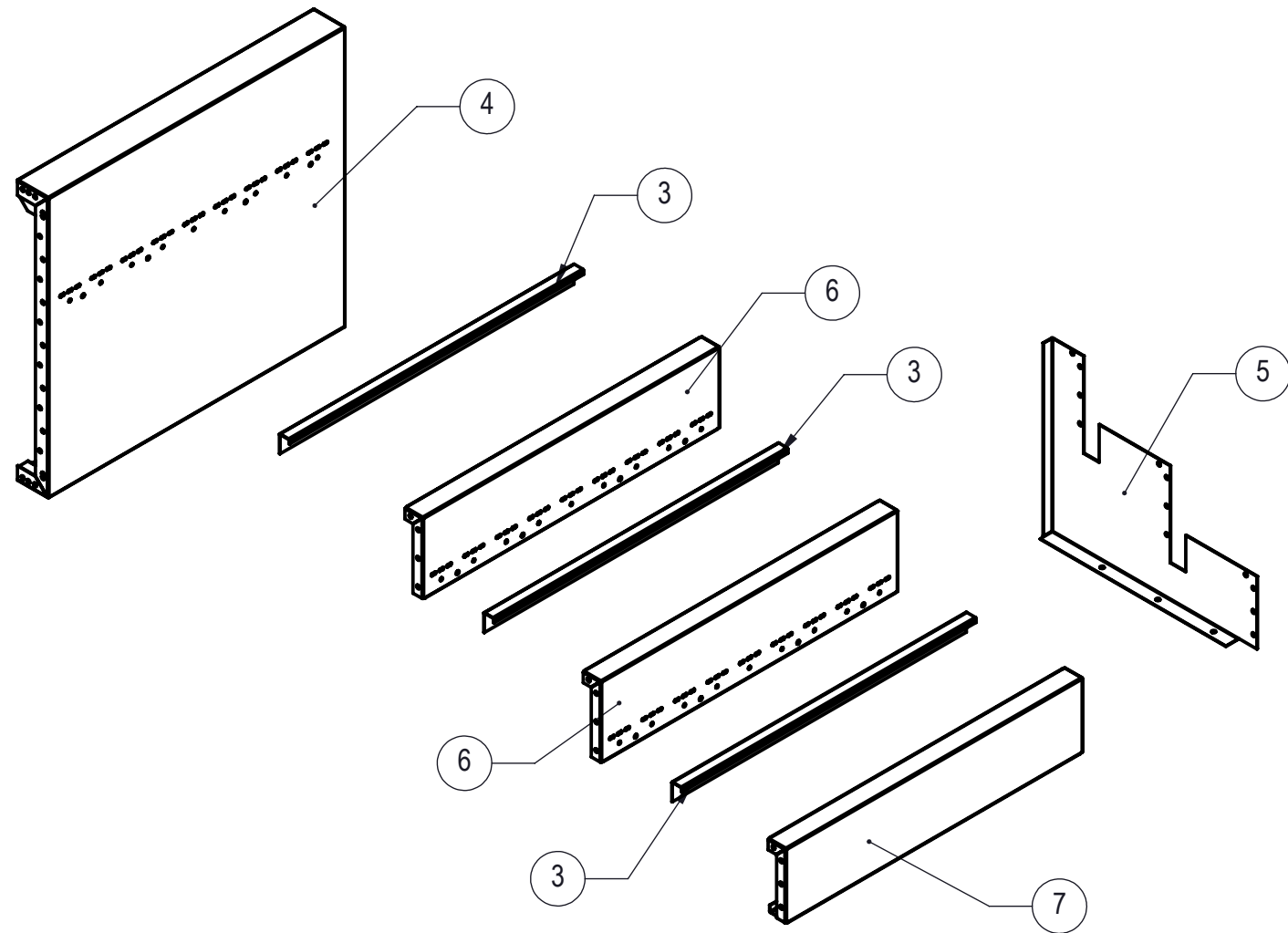
- NOTES:**
- THESE ARE FINISHED DIMENSIONS READY FOR THE LINER.
  - DIMENSIONS ARE FROM INSIDE POOL PANELS.
  - ROPE AND FLOAT ASSEMBLY SHOULD BE INSTALLED IN ACCORDANCE WITH CURRENT ANSI/ASPS/ICC REGULATIONS
  - HYDRA LINER TRACK FOR STEPS IS INSTALLED WITH THE BARB FACING THE RISER WALL ON THE STEP.
- EXCAVATION NOTES:**
- ROUGH EXCAVATION SHOULD BE 2" DEEPER IN EACH INSTANCE.
  - SOIL TO HAVE MINIMUM BEARING CAPACITY OF 1500 PSF.
  - LOCATE TOP OF POOL AT LEAST 6" ABOVE THE SURROUNDING LAND ELEVATION.
  - SEE "OVER DIG DETAIL" FOR EXCAVATION AROUND POOL.
  - FILL VOIDS UNDER BASE OF PANELS AND TAMP WELL.
  - BACK FILL WITH NON-EXPANSIVE MATERIAL.
  - FOLLOW ALL CURRENT ANSI / APSP / ICC GUIDELINES FOR RESIDENTIAL POOLS
- IMPORTANT NOTES:**

THIS DOCUMENT IS FOR ILLUSTRATIVE PURPOSES ONLY. THE DEALER OR CONTRACTOR WHO SELLS OR INSTALLS YOUR POOL IS AN INDEPENDENT CONTRACTOR AND IS NOT AN AGENT OF THE MANUFACTURER. THE CONSTRUCTION METHODS ILLUSTRATED HERE ARE SUGGESTIONS AND APPLY ONLY TO NORMAL GROUND CONDITIONS. THERE MAY BE ADDITIONAL PRECAUTIONS AND/OR METHODS OF CONSTRUCTION. PROPER INSTALLATION IS THE RESPONSIBILITY OF THE DEALER/BUILDER/CONTRACTOR.

ITEM	FILE NAME	DESCRIPTION	CUSTOMER DRAWING #	VENDOR PART #	QTY.
1	BOLT, PACK	BOLT, FLANGE, 3/8-16 X 1", PACK (50)	HPS1916	HPS1916	2
2	SBRACE	BRACE, FOLD OVER WITH TURNBUCKLE, STEEL, HPSFOB	HPSFOB	HPSFOB	1
3	00017208	LINER TRACK, 2' RADIUS, RIGHT OR LEFT	00017208	00017208	1
4	00017122	LINER TRACK, OPEN POUR	00017122	00017122	2
5	00034424	LINER TRACK, RIGHT OR LEFT, 28"	00034434	00034434	1
6	00028269	LINER TRACK, TREAD "B"	00028269	00028269	1
7	00034953	PANEL BACK, 2' LONG, 4' TREAD, OPEN POUR, TANNING LEDGE, LEFT ASSEMBLY	00034953	00034953	1
8	00034948	PANEL, STEP, 4' TREAD, CORNER TOP TREAD, TANNING LEDGE, LEFT SIDE, OPEN POUR ASSEMBLY	00034948	00034948	1
9	00034952	PANEL, 2' RADIUS, 4' TREAD, OPEN POUR, TANNING LEDGE	00034952	00034952	1
10	00034413	SUPPORT, CENTER, 4' TREAD, OPEN POUR	00034413	00034413	1
11	00034425	TREAD, STEP, 4' TREAD, CORNER, TREAD "A", OPEN POUR	00034425	00034425	1
12	00034411	TREAD, STEP, 4' TREAD, OPEN POUR, "B", 4"	00034411	00034411	2
13	00034412	TREAD, STEP, 4' TREAD, OPEN POUR, "C", 4' LONG	00034412	00034412	1

ENGINEERING DRAWING NUMBER <b>00034950</b>	WEIGHT: lbs VOLUME: Inch <sup>3</sup>	<b>UNLESS OTHERWISE SPECIFIED</b> DIMENSIONS ARE IN INCHES TOLERANCES DECIMALS: X ± XX ± XXX ± XXXX ± ANGLAR: X ± 0.5 THIRD ANGLE PROJECTION	DESIGNED BY: <b>ADOLD</b> DETAILED DATE: <b>2/1/2021</b> LAST REVISED BY: <b>adold</b> MATERIAL:	CREATION DATE: <b>1/9/2018</b> DETAILED DATE: <b>2/1/2021</b> LAST REVISED DATE: <b>2/1/2021</b>	<b>SAMSON STEEL</b>  TITLE: <b>STEP, CORNER TOP TREAD, 4' X 8', 2' RADIUS, 4 TREAD, LEFT, OPEN POUR, TANNING LEDGE, SUB ASSEMBLY</b>
	COLOR: NA HEAT TREAT: NA FINISH: NA TEXTURE: 576	SCALE: 1:32 SHEET: 2 OF 4	PART NUMBER: <b>HSSM34950</b>	SIZE: <b>B</b>	

REVISION HISTORY				
REV.	DESCRIPTION	DATE	ECO	BY
A	RELEASED FOR PRODUCTION	12/22/2020		adold



**NOTES:**

- THESE ARE FINISHED DIMENSIONS READY FOR THE LINER.
- DIMENSIONS ARE FROM INSIDE POOL PANELS.
- ROPE AND FLOAT ASSEMBLY SHOULD BE INSTALLED IN ACCORDANCE WITH CURRENT ANSI/APSP/ICC REGULATIONS
- HYDRA LINER TRACK FOR STEPS IS INSTALLED WITH THE BARB FACING THE RISER WALL ON THE STEP.

**EXCAVATION NOTES:**

- ROUGH EXCAVATION SHOULD BE 2" DEEPER IN EACH INSTANCE.
- SOIL TO HAVE MINIMUM BEARING CAPACITY OF 1500 PSF.
- LOCATE TOP OF POOL AT LEAST 6" ABOVE THE SURROUNDING LAND ELEVATION.
- SEE "OVER DIG DETAIL", IN INSTALLATION MANUAL, FOR EXCAVATION AROUND POOL.
- FILL VOIDS UNDER BASE OF PANELS AND TAMP WELL.
- BACK FILL WITH NON-EXPANSIVE MATERIAL.
- FOLLOW ALL CURRENT ANSI / APSP / ICC GUIDELINES FOR RESIDENTIAL POOLS

**IMPORTANT NOTES:**

THIS DOCUMENT IS FOR ILLUSTRATIVE PURPOSES ONLY. THE DEALER OR CONTRACTOR WHO SELLS OR INSTALLS YOUR POOL IS AN INDEPENDENT CONTRACTOR AND IS NOT AN AGENT OF THE MANUFACTURER. THE CONSTRUCTION METHODS ILLUSTRATED HERE ARE SUGGESTIONS AND APPLY ONLY TO NORMAL GROUND CONDITIONS. THERE MAY BE ADDITIONAL PRECAUTIONS AND/OR METHODS OF CONSTRUCTION. PROPER INSTALLATION IS THE RESPONSIBILITY OF THE DEALER/BUILDER/CONTRACTOR.

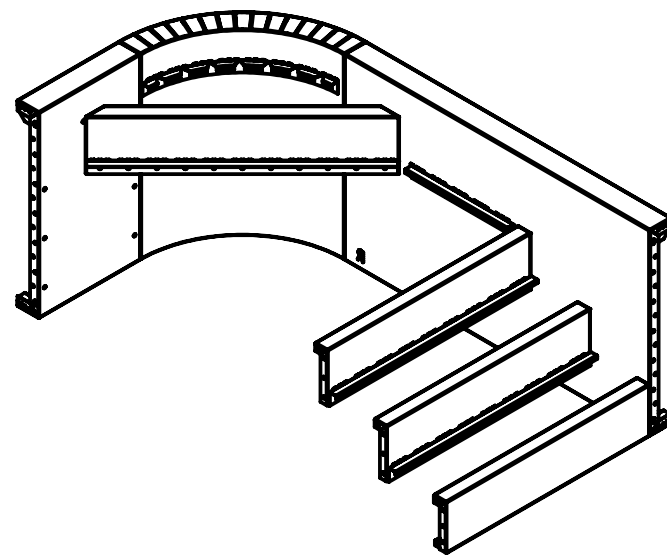
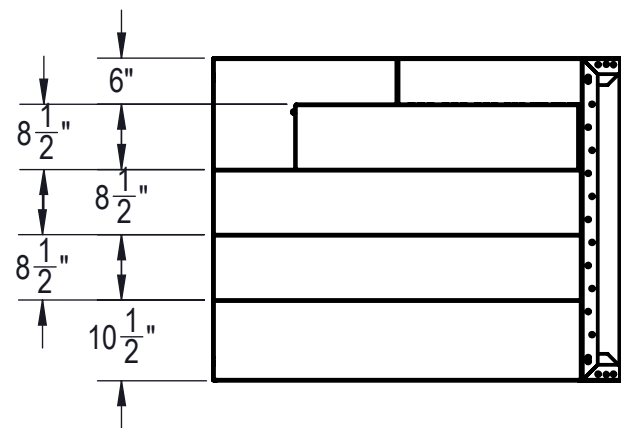
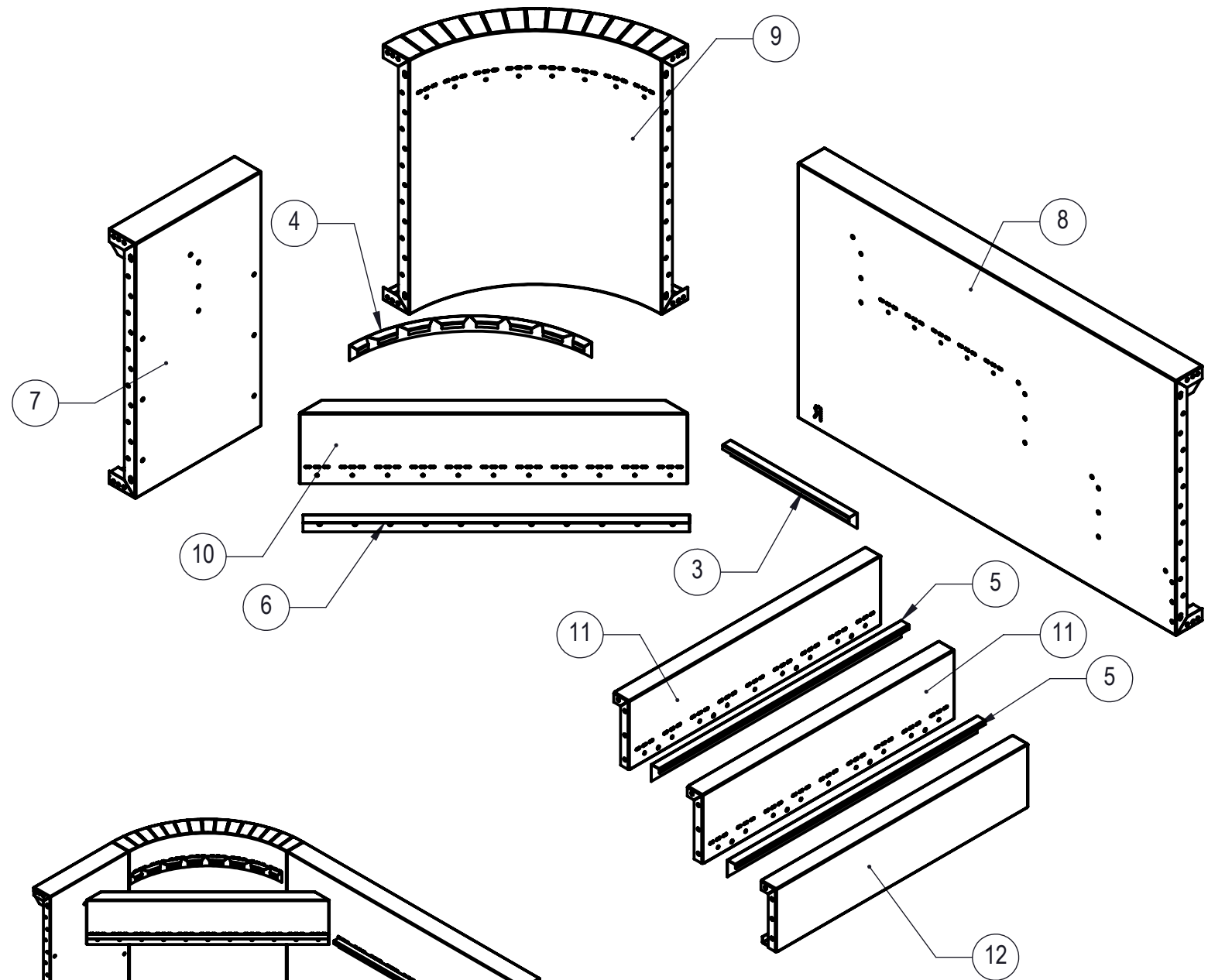
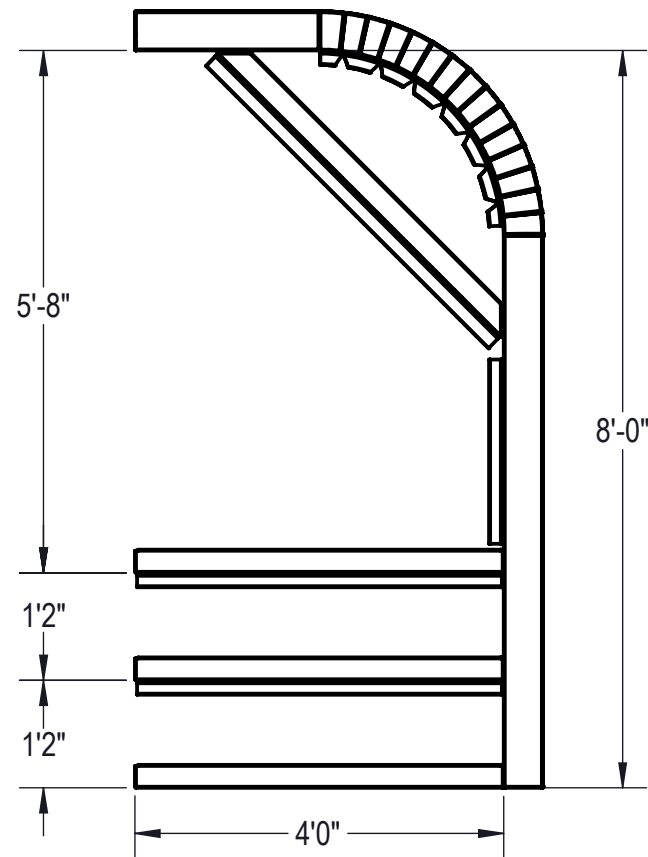
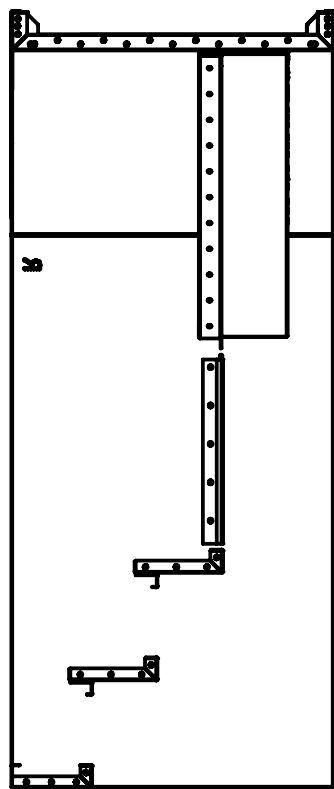
ITEM	FILE NAME	DESCRIPTION	CUSTOMER DRAWING #	VENDOR PART #	QTY.
1	BOLT, PACK	BOLT, FLANGE, 3/8-16 X 1", PACK (50)	HPS1916	HPS1916	2
2	SBRACE	BRACE, FOLD OVER WITH TURNBUCKLE, STEEL, HPSFOB	HPSFOB	HPSFOB	1
3	00017122	LINER TRACK, OPEN POUR	00017122	00017122	3
4	00034441	PANEL BACK, 4' LONG, 4 TREAD, OPEN POUR, TANNING LEDGE ASSEMBLY	00034441	00034418	1
5	00034413	SUPPORT, CENTER, 4 TREAD, OPEN POUR	00034413	00034413	1
6	00034411	TREAD, STEP, 4 TREAD, OPEN POUR, "B", 4'	00034411	00034411	2
7	00034412	TREAD, STEP, 4 TREAD, OPEN POUR, "C", 4' LONG	00034412	00034412	1

ENGINEERING DRAWING NUMBER <b>00034420</b>	WEIGHT: lbs	<b>UNLESS OTHERWISE SPECIFIED</b> DIMENSIONS ARE IN INCHES TOLERANCES DECIMALS: X ± XX ± XXX ± XXXX ±  ANGULAR: X ± 0.5 THIRD ANGLE PROJECTION	DESIGNED BY: <b>ADOLD</b>	CREATION DATE: <b>1/9/2018</b>	<b>SAMSON STEEL</b>
	VOLUME: Inch <sup>3</sup>		DETAILED BY: <b>adold</b>	DETAILED DATE: <b>2/1/2021</b>	
	COLOR: NA		LAST REVISED BY: <b>adold</b>	LAST REVISED DATE: <b>1/8/2021</b>	
	HEAT TREAT: NA		MATERIAL:		
FINISH: NA					TITLE: <b>STEP, CORNER TOP TREAD, 4' X 8', 6" RADIUS, 4 TREAD, 4' SECTION, OPEN POUR, TANNING LEDGE, SUB ASSEMBLY</b>
TEXTURE: 576					PART NUMBER: <b>HSSM34420</b>
					SCALE: 1:32 SHEET: 3 OF 4 SIZE: <b>B</b>

CHECK IN DATE/TIME: Friday, January 08, 2021 11:02:51 AM

REVISION HISTORY				
REV.	DESCRIPTION	DATE	ECO	BY
A	RELEASED FOR PRODUCTION	1/5/2021		adold

DRAWING NUMBER: HSSM34990



**NOTES:**

- THESE ARE FINISHED DIMENSIONS READY FOR THE LINER.
- DIMENSIONS ARE FROM INSIDE POOL PANELS.
- ROPE AND FLOAT ASSEMBLY SHOULD BE INSTALLED IN ACCORDANCE WITH CURRENT ANSI/ASPS/ICC REGULATIONS
- HYDRA LINER TRACK FOR STEPS IS INSTALLED WITH THE BARB FACING THE RISER WALL ON THE STEP.

**EXCAVATION NOTES:**

- ROUGH EXCAVATION SHOULD BE 2" DEEPER IN EACH INSTANCE.
- SOIL TO HAVE MINIMUM BEARING CAPACITY OF 1500 PSF.
- LOCATE TOP OF POOL AT LEAST 6" ABOVE THE SURROUNDING LAND ELEVATION.
- SEE "OVER DIG DETAIL" FOR EXCAVATION AROUND POOL.
- FILL VOIDS UNDER BASE OF PANELS AND TAMP WELL.
- BACK FILL WITH NON-EXPANSIVE MATERIAL.
- FOLLOW ALL CURRENT ANSI / APSP / ICC GUIDELINES FOR RESIDENTIAL POOLS

**IMPORTANT NOTES:**

THIS DOCUMENT IS FOR ILLUSTRATIVE PURPOSES ONLY. THE DEALER OR CONTRACTOR WHO SELLS OR INSTALLS YOUR POOL IS AN INDEPENDENT CONTRACTOR AND IS NOT AN AGENT OF THE MANUFACTURER. THE CONSTRUCTION METHODS ILLUSTRATED HERE ARE SUGGESTIONS AND APPLY ONLY TO NORMAL GROUND CONDITIONS. THERE MAY BE ADDITIONAL PRECAUTIONS AND/OR METHODS OF CONSTRUCTION. PROPER INSTALLATION IS THE RESPONSIBILITY OF THE DEALER/BUILDER/CONTRACTOR.

ITEM	FILE NAME	DESCRIPTION	CUSTOMER DRAWING #	VENDOR PART #	QTY.
1	BOLT, PACK	BOLT, FLANGE, 3/8-16 X 1", PACK (50)	HPS1916	HPS1916	2
2	SBRACE	BRACE, FOLD OVER WITH TURNBUCKLE, STEEL, HPSFOB	HPSFOB	HPSFOB	1
3	00034424	LINER TRACK, RIGHT OR LEFT, 28"	00034434	00034434	1
4	00017208	LINER TRACK, 2' RADIUS, RIGHT OR LEFT	00017208	00017208	1
5	00017122	LINER TRACK, OPEN POUR	00017122	00017122	2
6	00028269	LINER TRACK, TREAD "B"	00028269	00028269	1
7	00034987	PANEL BACK, 4' TREAD, 4' TREAD, OPEN POUR, TANNING LEDGE ASSEMBLY	00034987	00034953	1
8	00034988	PANEL, STEP, 4' TREAD, CORNER TOP TREAD, TANNING LEDGE, RIGHT SIDE, OPEN POUR ASSEMBLY	00034988	00034988	1
9	00034952	PANEL, 2' RADIUS, 4' TREAD, OPEN POUR, TANNING LEDGE	00034952	00034952	1
10	00034425	TREAD, STEP, 4' TREAD, CORNER, TREAD "A", OPEN POUR	00034425	00034425	1
11	00034411	TREAD, STEP, 4' TREAD, OPEN POUR, "B", 4"	00034411	00034411	2
12	00034412	TREAD, STEP, 4' TREAD, OPEN POUR, "C", 4' LONG	00034412	00034412	1

DRAWING NUMBER: 00034990	WEIGHT: lbs	<b>UNLESS OTHERWISE SPECIFIED</b>	DESIGNED BY: ADOLD	CREATION DATE: 1/9/2018	<b>SAMSON STEEL</b>	
	VOLUME: Inch <sup>3</sup>		DIMENSIONS ARE IN INCHES	DETAILED DATE: 2/1/2021		
	COLOR: NA		TOLERANCES DECIMALS: X ±, XX ±, XXX ±, XXXX ±	LAST REVISED BY: adold		LAST REVISED DATE: 2/1/2021
	HEAT TREAT: NA		ANGULAR: X ± 0.5	MATERIAL:		TITLE: STEP, CORNER TOP TREAD, 4' X 8', 2' RADIUS, 4 TREAD, RIGHT, OPEN POUR, TANNING LEDGE, SUB ASSEMBLY
FINISH: NA	THIRD ANGLE PROJECTION			PART NUMBER: <b>HSSM34990</b>	SCALE: 1:32	
TEXTURE: 576				SHEET: 4 OF 4	SIZE: <b>B</b>	