

Lolo WP 400

Part Number 27550



7100 Spectrum Lane ~ Missoula MT 59808
800.791.8056 ~ www.spectrumproducts.com

27550 Man Rev A

You have purchased a Spectrum Products Swim Lift® Lolo WP 400. Providing the unit is installed correctly and properly maintained, it will furnish you with many years of trouble free use. It is important to read this entire manual prior to beginning assembly or operation.

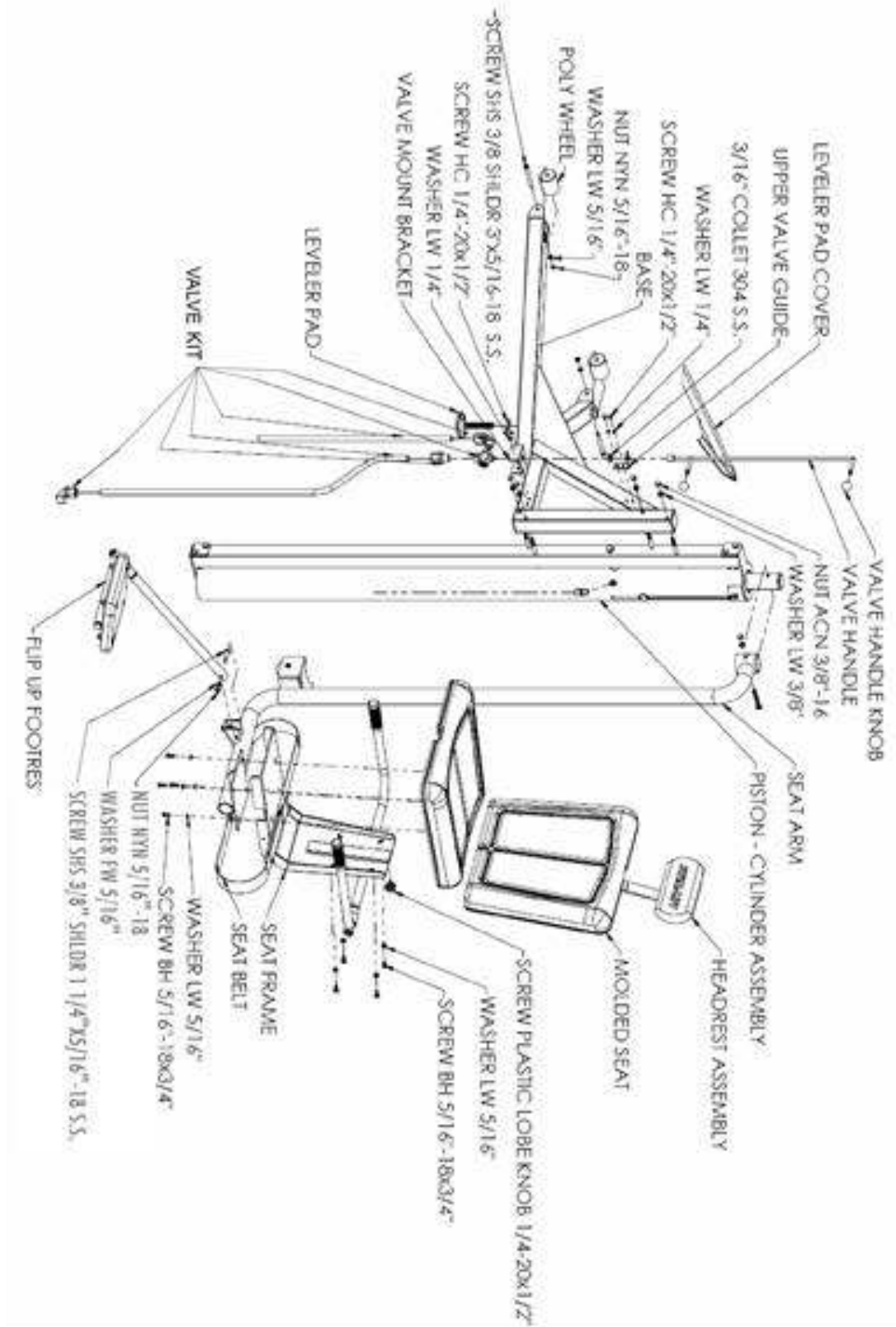
Shipping Information:

Each lift should arrive partially assembled in two boxes. Before accepting the shipment from the carrier, inspect for visible damage and match the contents with those listed below. Spectrum is not responsible for lost or damaged freight.

The boxes will contain all structural components and hardware. The following is a list of the components included with your shipment from Spectrum. Use Components and Hardware Figure, page 2, as a reference to identify each item listed.

1	Cylinder Assembly	1	Seat Arm
1	Headrest	1	Footrest
1	Seat Frame	1	Base
1	50 ft Hose	1	Leveler Pad Cover
1	Hardware Box		

Components and Hardware



Installation Overview

Read all instructions before attempting to assemble or install the Lift.

If you purchased and installed a Swim-Lift® Pre-Set Anchor previously or if your Retro-Fit Anchors are already installed, please proceed to the Lift Assembly Section on page 7.

Anchor Location

It is recommended that the Lolo be installed in or near the shallow end of the pool with sufficient deck space and operational area in the pool as shown in Figure 2. For reasons of safety and ADA guidelines, the lift must be installed in a location that is clear from obstacles and other hazards.

NOTE: Do not locate the lift in a corner or directly adjacent to pool ladders/handrails or grab rails that could interfere with the rotation of the lift. Do not place the lift where it may be cumbersome or hazardous to any pool users.

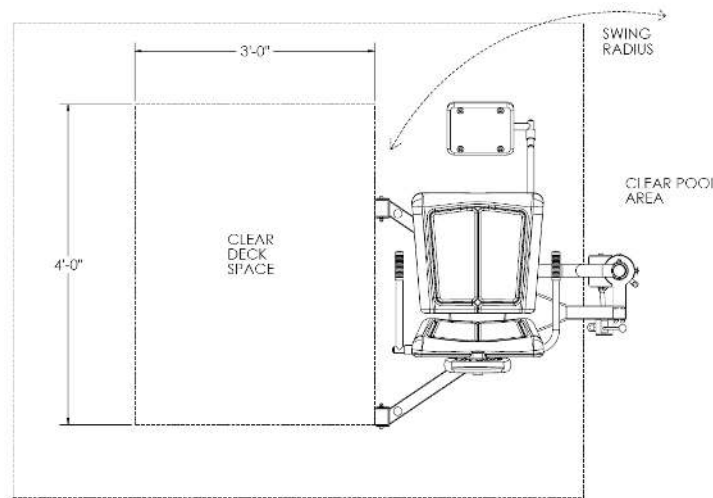


Figure 1

Because the lift can be stopped at any position during lowering, there is no minimum pool depth requirement for the Lolo. However, to comply with ADA guidelines, the Lolo must be installed at a pool depth no greater than 48-inches and the seat should submerge to a minimum depth of 18" below the surface of the water. For the standard base, anchors may be installed between 20" and 30" back from the pool/spa edge with the recommended anchor setback at 28". For the Short base, anchors may be installed between 18" and 24" back from the pool/spa edge with the recommended anchor setback at 22". Make sure that the centers of both anchors are the same distance from the edge of the pool. There must be at least 6" from the center of each anchor to the nearest joint, crack, curb or similar concrete structure to ensure the strength of the concrete. Refer to Figure 3 to optimize the position of the leveler foot.

In addition, all installations should be in accordance with the ADA guidelines (ADA guidelines are available at the website www.access-board.gov).

NOTE: Optional base stand configurations are available if this setback range or anchor location will not work with your pool.

Anchor Installation

1. Mark the location of each anchor on the deck and use a 1/2" diameter concrete drill bit to drill a 4" deep hole at each location. Make sure to drill straight down.

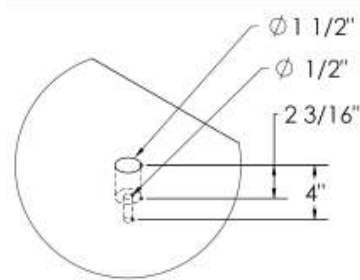


Figure 2

2. Use a 1-1/2" diameter concrete core drill to drill out the anchor holes to a depth of 2-3/16" as shown in Figure 4. Clean all of the debris from the holes. Check to see that the bottom of each hole is in solid concrete. The anchors will only hold if the surrounding concrete is solid. The top of the anchor should be 1/4" below the deck surface. The anchors can be installed deeper, if necessary, to mount to sufficiently solid concrete.

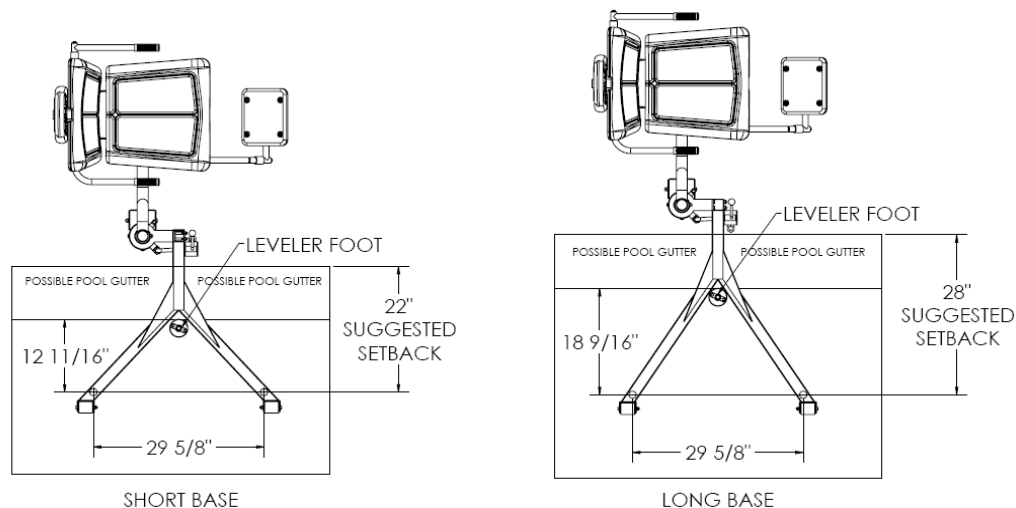


Figure 3

3. Use a small amount of two-part epoxy or hydraulic cement in each anchor hole and set an anchor into each hole. Set the expansion anchor at the bottom of the anchor hole by tapping the anchor pin with the supplied 1/4" diameter set tool rod with a hammer. Use a 9/16" deep well socket to tighten the internal anchor bolt to approximately 30 ft-lbs. Torque. Allow sufficient time for the epoxy or cement to completely harden before installing the lift in the anchors.

4. Locate a bonding source to bond (ground) the anchor. The steel rebar-bonding grid of the pool deck is the best choice for bonding the anchor. Attach a No. 8 solid copper wire (not included) from the bonding bolt on the base of the anchor to the bonding grid.

NOTE: *Article 680 of the National Electrical Code requires bonding of all metallic components in relationship to pools and spas.*

Lift Assembly

1. Attach the Base to the Cylinder Support Column Assembly with four 3/8" – 16 x 4-1/2" hex head bolts protruding from the support column, as shown on page 2. Secure the Base with four 3/8" lock washers and four 3/8" acorn nuts, torque to 20 lb-ft.
2. Install the Pressure Wheel and the Pressure Wheel Guard using a 3/8"x 5 1/2" hex head bolt, two 3/8" flat washers, a 3/8" lock washer, and a 3/8" acorn nut.
3. Remove the upper valve handle knob from the valve handle and slide the valve handle through the valve handle bracket. Match the flat on the valve post to the flat on the inside of the valve handle sleeve and slide the valve handle onto the valve post. Replace the upper valve handle knob on the valve handle.
4. Remove the upper valve handle knob from the valve handle and slide the valve handle through the valve handle bracket. Match the flat on the valve post to the flat on the inside of the valve handle sleeve and slide the valve handle onto the valve post. Replace the upper valve handle knob on the valve handle.

NOTE: *The two-piece collar on the valve handle holds the valve handle in place and may need to be repositioned. To move the collar, loosen the screws in the collar using a 7/64" hex key wrench. Move the collar so that it is just below the valve handle bracket and retighten the screws. See Page 2.*

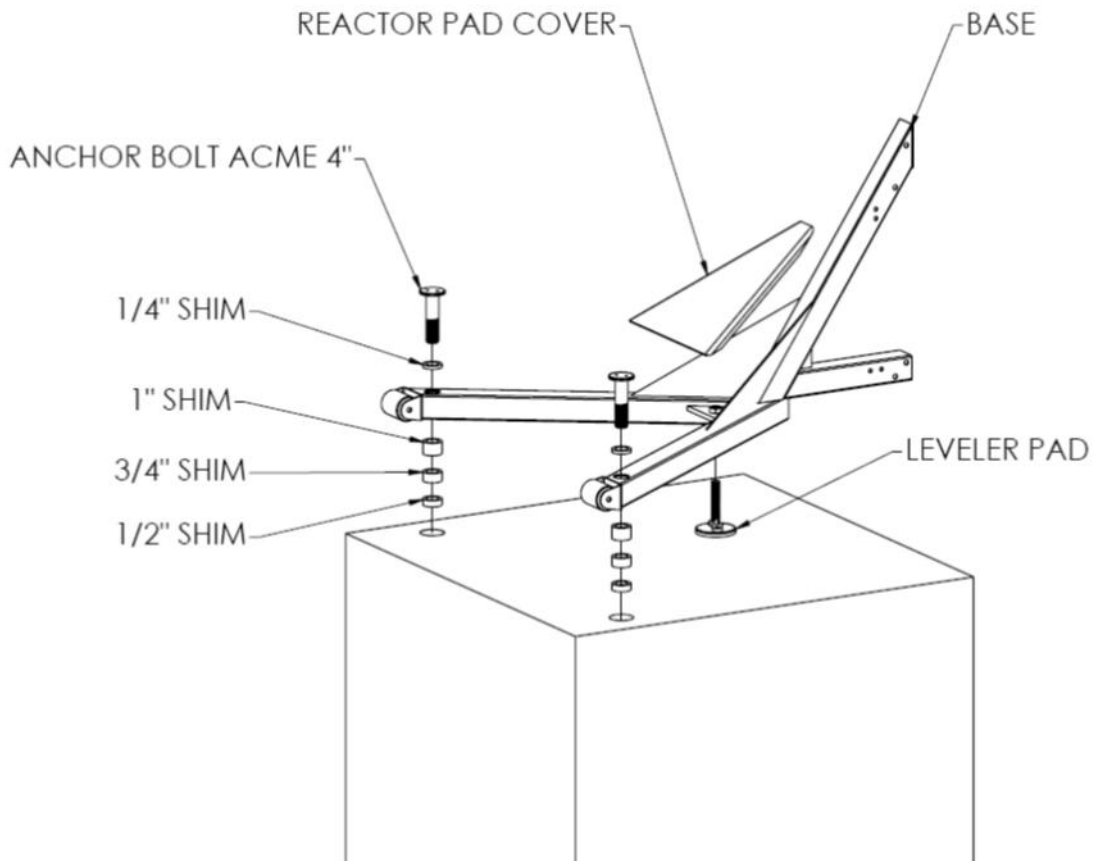


Figure 4

5. Screw the Leveler Pad into the Base assembly as shown in Figure 4, flush with the bottom of the Base stand until further adjustment.
6. Bolt the lift to the anchors in the deck using two 1" by 4" acme bolts as shown in Figure 4. **Do not completely tighten the 1" diameter acme bolts at this time.**
7. Attach the Seat back to the Seat Frame with four 5/16" – 18 x 3/4" Button Head screws torqued to 11 lb-ft, as shown on page 2.
8. Attach the Seat bottom to the Seat Pole by using two 5/16" – 18 x 1" Button Head screws. First install a 5/16" Flat washer on to a 5/16" – 18 x 1" button head screw and insert this through one of the two front holes of the Seat arm plate, then through the seat frame and finally set the screw into the seat bottom as shown on page 2, loosely.
9. After the Seat assembly has been secured with the two front 5/16" – 18 x 1" Button head screws. Insert two 5/16" – 18 x 1" Button head screws through two 5/16" flat washers and then through the Seat belt grommets and into the Seat assembly tightening all 5/16 – 18 x 1" Button head screws to 11 lb-ft at this time, as shown on page 2.

10. Level the lift front to back, if necessary, by using donut shims between the base stand and each anchor, and adjusting the Leveler Pad by screwing the Pad in or out. The donut shims can be used individually or in combination to level the lift. The donut shims can be used above the anchor base or below as shown in Figure 4 to prevent the acme bolts from bottoming out in the anchors.
11. Check that the cylinder is perpendicular to the deck in all directions with a carpenter's level. Adjust the Leveler pad or change donut shims at each anchor to level the lift. If the lift is not installed level and perpendicular, it may lower the lifting capacity, reduce the operational life of the lift or void the warranty.
12. Install Cover on lift as shown in Figure 4.

Connect Flip up footrest using one 3/8" – 16 x 1 1/4" Socket head shoulder screw, a 3/8" Flat washer and, a 3/8" nylock. Torque to screws 20 ft-lb as shown on page 2.

13. Install Headrest assembly in the receiver on the back of the seat frame and secure with the plastic Lobe knob screw as shown in figure 1.
14. Connect the water supply to the female garden hose coupling on the control valve. After purging the air (See lift preparation step three) from the cylinder the Swim-Lift® Lolo is ready for operation.

Lift Operation

WARNING! Read all operating instructions before operating the lift. Make sure that all individuals using the lift have read the instructions and have been made aware of all safety precautions.

WARNING! Do not exceed the maximum lifting capacity of 400 lbs (181.4 kg). This may result in damage to the lift or personal injury. Other lift models are available for loads in excess of 400 lbs.

The Swim-Lift® Lolo is a water-powered lifting aid designed for use with water systems that have a 55 PSI rating. This lift will function with as little as 45 PSI water pressure. Optional pump kits are available for supplying a constant pressure of 55 PSI. Lifting capacities are based on a continual pressure supply without pressure drops occasionally incurred during peak demand periods of city water systems. The lifting capacity/pressure ratios are as follows:

Pressure	Lift Capacity
55 PSI	400 lbs.
50 PSI	350 lbs.
45 PSI	300 lbs.

Note: A backflow check valve may be required on this lift to prevent contamination of the municipal water supply. Please check your state and local codes to see if a backflow check valve is required.

Lift Preparation:

1. Turn the control valve to the intermediate stop position and attach the water supply hose to the valve. Turn the water supply on.
2. With no weight on the chair, turn the control valve handle to the up position. Allow the chair to fully rise.
3. Turn the control valve handle to the down position. Allow the seat to lower to a fully down position. Repeat steps 2 and 3 until a smooth operation is attained. This process purges the air from the system and should not take more than 5 to 7 cycles to complete.

Lift Operation:

1. Lift operation is controlled through the use of the control valve. The valve handle turned clockwise will lower the chair, and turned counter-clockwise will raise the chair. The chair will stop at any point along its travel if the valve handle is turned to an intermediate position. Excessive force is not required to turn the valve handle. Instruct all operators on proper use of the control valve prior to operation of the lift.
2. The outer chair arm flips up and back for ease of transfer from a wheelchair to the lift seat. In addition, the stationary arm on the inside of the chair may assist in transferring. Use of

the seatbelt is recommended for all users. To facilitate safe loading and unloading of inexperienced users, we recommend that an attendant always be present. Instruct all operators on the proper use of the chair features and the transfer procedure.

3. A lock pin is attached to the top of the cylinder to lock the chair in the fully raised position or rotated 180° over the pool. Push the pin through the piston rod (lower hole) to lock the chair in the fully raised position when the lift is not in use and/or when the water supply is turned off. Use the 180° rotated lock pin hole (upper hole) to lock the chair in place when removing the lift from the anchors.

4. Keep other swimmers and children away from the lift at all times. Remove the lift from poolside when not in use if possible. A cover (part # 25186) is available from Spectrum Products® to aid in preventing unauthorized use of the lift.

5. To drain the water from the lift for storage: disconnect the water source, turn the control valve to down, push the chair down, turn the control valve to up, and push the chair back up. Repeating this step is necessary to get all of the water removed. This process will force the water from the cylinder, valve and hoses.

Care and Maintenance

The following should be performed periodically to ensure safe and dependable use.

1. Remove any discoloration with a 3M scratch pad (stainless steel components only). Wipe clean with a sponge dampened with Spectra Clean. Repeat these steps several times to passivate the stainless steel. Spectra Clean kits are available from Spectrum (Part Number 202050-00). Do not spray with high-pressure water, only clean with non-chlorinated water.
2. Check all water connections – Check any external hoses for wear and/or breakage in the outer tubing.
3. Check all mechanical connections – inspect the Nylock Nuts on all moving parts and make sure they are snug.
4. To ensure safe and dependable use, periodically disengage the deck anchors and lubricate the acme thread nut with a small amount of petroleum jelly. Also, check that the inside bolt is tight. If it is loose or corroded, replace it immediately. Do not operate the lift until the bolt is replaced.

Troubleshooting

Problem:	Cause:	Solution:
1. Lift will not operate at all:	Unit Not Level Valve Failure Kinked Hose Air in Cylinder Dirty Cylinder Worn Top Collar	Check for level and shim accordingly Replace Valve (P/N 27285, 27286) Un kink hose and recheck Run unit 5-7 times up and down while assisting motion Call for assistance Replace Top Collar (P/N 27315)
2. Lift chatters when moving.	Air in Cylinder Dirty Cylinder Worn Top Collar	Run unit 5-7 times up and down while assisting motion Call for assistance Replace Top Collar (P/N 27315)
3. Lift moves up slowly	Low water pressure Worn Seals Valve Failure	Use lift with Booster Pump (P/N 27028-00) Replace Seals (P/N 27245, 27246) Replace Valve (P/N 27285, 27286)
4. The seat travels much slower than normal.	Low battery Defective or worn-out battery	Recharge battery Replace battery*
5. Lift descends with valve in neutral position	Valve Failure Worn Seals	Replace Valve (P/N 27285, 27286) Replace Seals (P/N 27245, 27246)

*Please contact your local distributor or Spectrum Customer Service to order parts 406.532.6321