

# Figure 4 – Residential



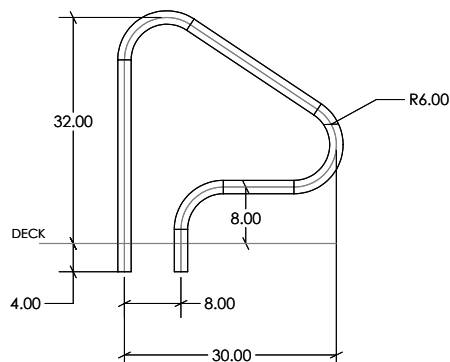
- Tubing: 1.90" OD
  - Wall Thickness: .049", .065"
  - Stainless Steel: 304 or 316L Marine Grade\* (add -MG to part number)
  - Bends: 6" Radius
  - Options: Powder-coating and SealedSteel Salt Friendly available
  - Recommended Anchors: AS-100B-SS
  - Recommended Escutcheons: EP-100F (order separately)
  - Sold as pairs, unless otherwise noted
- \* Minimum requirement for salt pools is 316L Marine Grade

Figure 4 (1.90" OD)

Model No.	Description	Shipping			
		Weight	Length	Width	Height
F4H-100	30" Figure 4, .065" wall, pair	24 lbs 11kg	39" 99cm	32" 81cm	4" 10cm
F4H-101	30" Figure 4, .049" wall, pair	19 lbs 9kg	39" 99cm	32" 81cm	4" 10cm
F4H-102	26" Figure 4, .049" wall, pair	18 lbs 8kg	39" 99cm	32" 81cm	4" 10cm
F4H-102S	26" Figure 4, .049" wall, single	12 lbs 5kg	39" 99cm	32" 81cm	4" 10cm

## 30-inch Setback

F4H-100 & F4H-101



## 26-inch Setback

F4H-102

