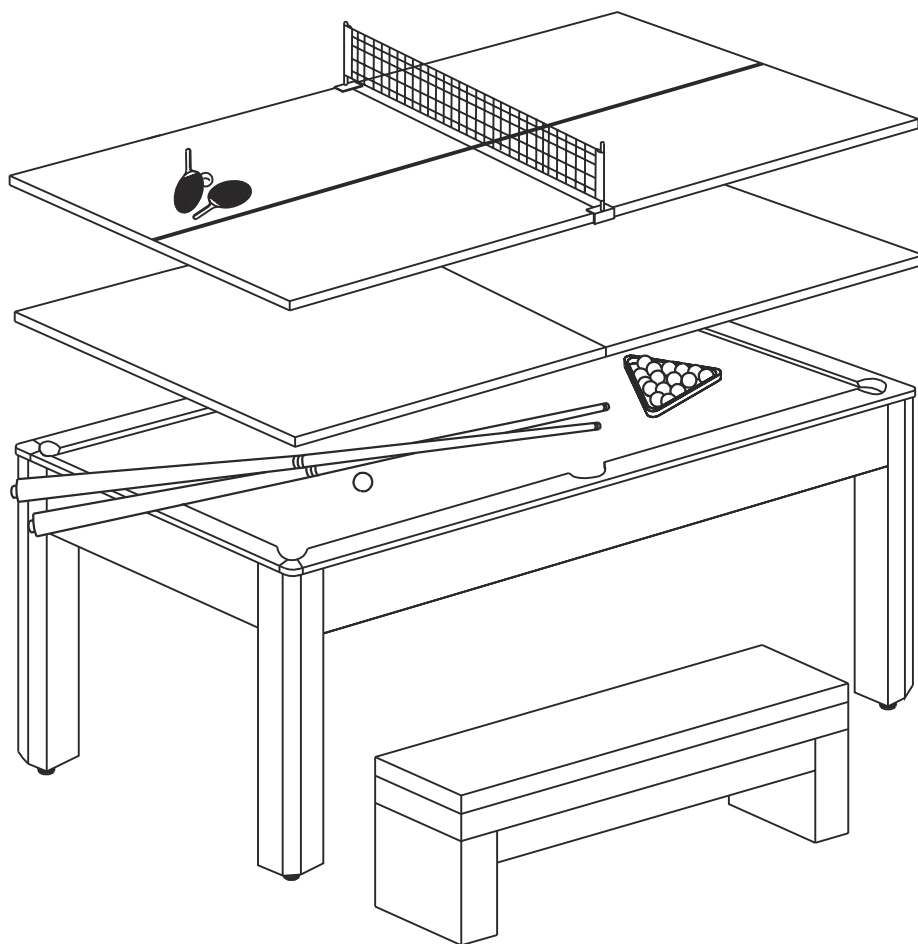
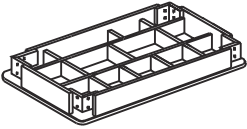
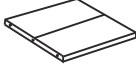
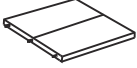


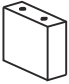
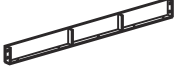

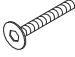



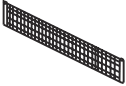







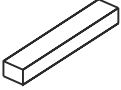






CHAMBERLAIN GAME TABLES

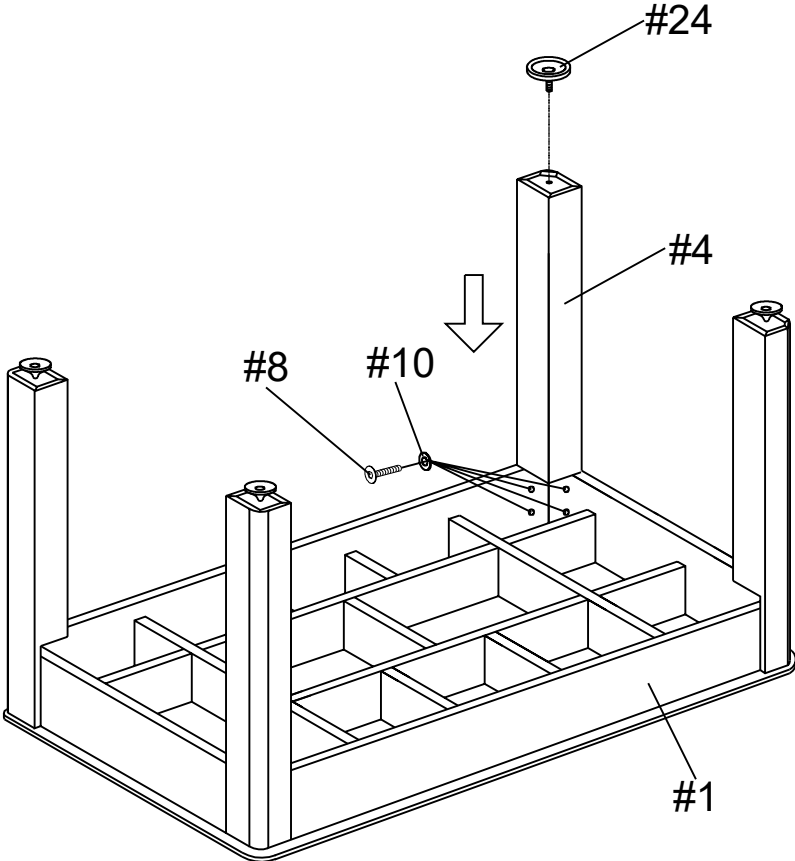
ASSEMBLY INSTRUCTIONS FOR
**NEW YORK NIGHTS 3 IN 1 POOL
TABLE WITH BENCHES**



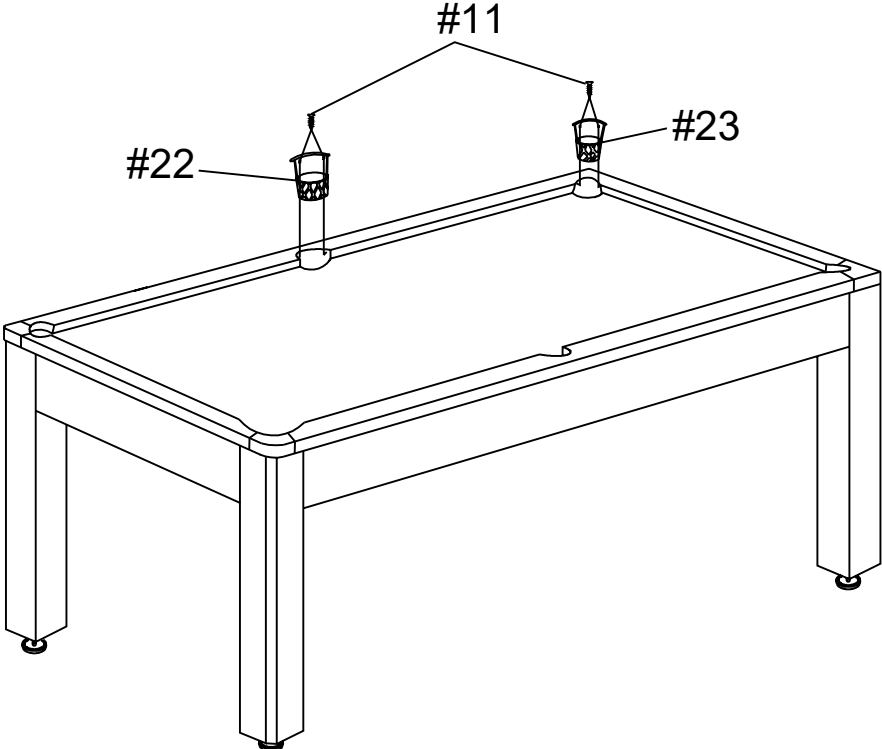
Part List

<p>#1</p>  <p>Cabinet 1 pc</p>	<p>#2</p>  <p>Table Tennis Table A 1 pc</p>	<p>#3</p>  <p>Table Tennis Table B 1 pc</p>	<p>#4</p>  <p>Legs 4 pcs</p>	<p>#5</p>  <p>Bench 2 pcs</p>
<p>#6</p>  <p>Bench Legs 4 pcs</p>	<p>#7</p>  <p>Bench Supporting Plate 4 pcs</p>	<p>#8</p>  <p>5/16" * 25mm Bolts 16 pcs</p>	<p>#9</p>  <p>5/16" * 35mm Bolts 44 pcs</p>	<p>#10</p>  <p>5/16" Washers 60 pcs</p>
<p>#11</p>  <p>Screws 12 pcs</p>	<p>#12</p>  <p>Table Tennis Paddles 2 pcs</p>	<p>#13</p>  <p>Table Tennis Net 1 pc</p>	<p>#14</p>  <p>Posts for Table Tennis 2 sets</p>	<p>#15</p>  <p>Balls 2 pcs</p>
<p>#16</p>  <p>Billiard Balls 1 set</p>	<p>#17</p>  <p>Chalk 2 pcs</p>	<p>#18</p>  <p>Triangle 1 pc</p>	<p>#19</p>  <p>Table Brush 1 pc</p>	<p>#20</p>  <p>Cue Sticks 2 pcs</p>
<p>#21</p>  <p>Supporter 2 pcs</p>	<p>#22</p>  <p>Middle Pocket 2 pcs</p>	<p>#23</p>  <p>Bottom Pocket 4 pcs</p>	<p>#24</p>  <p>Leg levellers 4 pcs</p>	<p>#25</p>  <p>Wrench 1 pc</p>

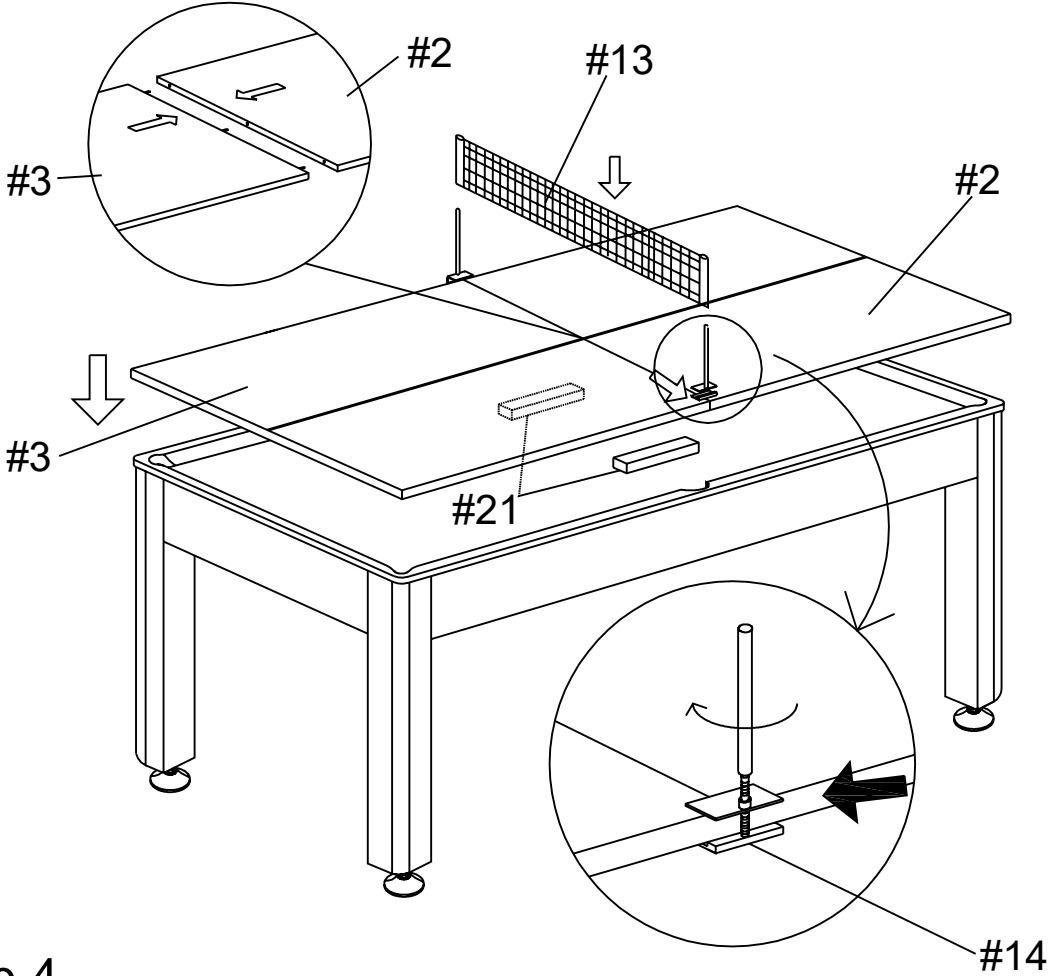
Step 1



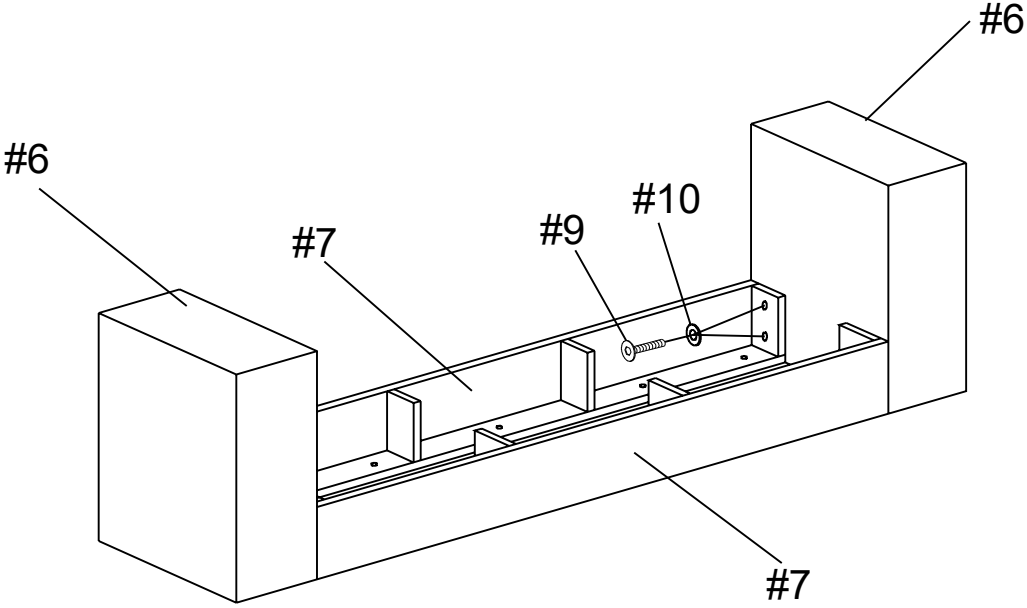
Step 2



Step 3



Step 4



Step 5

