

5 Seat Bar Top

Invite friends & family over to a resort style swim up bar.

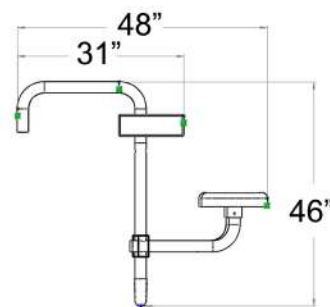
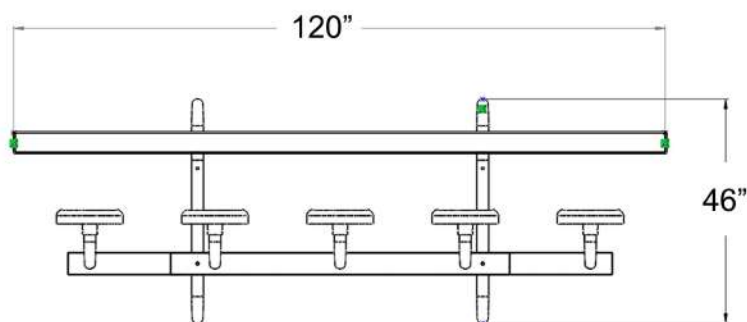
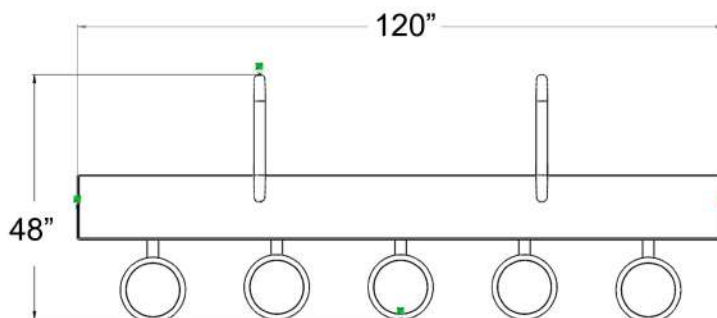


The Over the Edge 5 Seat Bar Top is a versatile high grade resort swim up style bar you can mount pool side to upgrade your pool experience. Enhance the look of your pool with the addition of the 5 seater swim up bar to enjoy time with friends and family, pool side. The 5 seat bar top easily slips in and out anchor sleeves for your convenience.

- 💧 304 Stainless Steel Construction
- 💧 Adjustable Seat Heights
- 💧 Quick & Easy assembly and installation
- 💧 Seats 5 People Comfortably



Model No.	Description	Width	Length	Height
GPPOTE-5ST-SV-S	5 SEAT BAR SILVER VEIN POWDER COATED FRAME - GRAY TOP	48"	120"	46"
GPPOTE-5ST-CV-S	5 SEAT BAR COPPER VEIN POWDER COATED FRAME - TAN TOP			
GPPOTE-5ST-SV	5 SEAT BAR SILVER VEIN POWDER COATED FRAME - GRANITE GRAY TOP	122cm	305cm	117cm
GPPOTE-5ST-CV	5 SEAT BAR COPPER VEIN POWDER COATED FRAME - GRANITE SAND TOP			



684 N. Port Crescent St., Suite C, Bad Axe, MI 48413
 P 989-269-5900 | TF 866-712-0606 | global-poolproducts.com