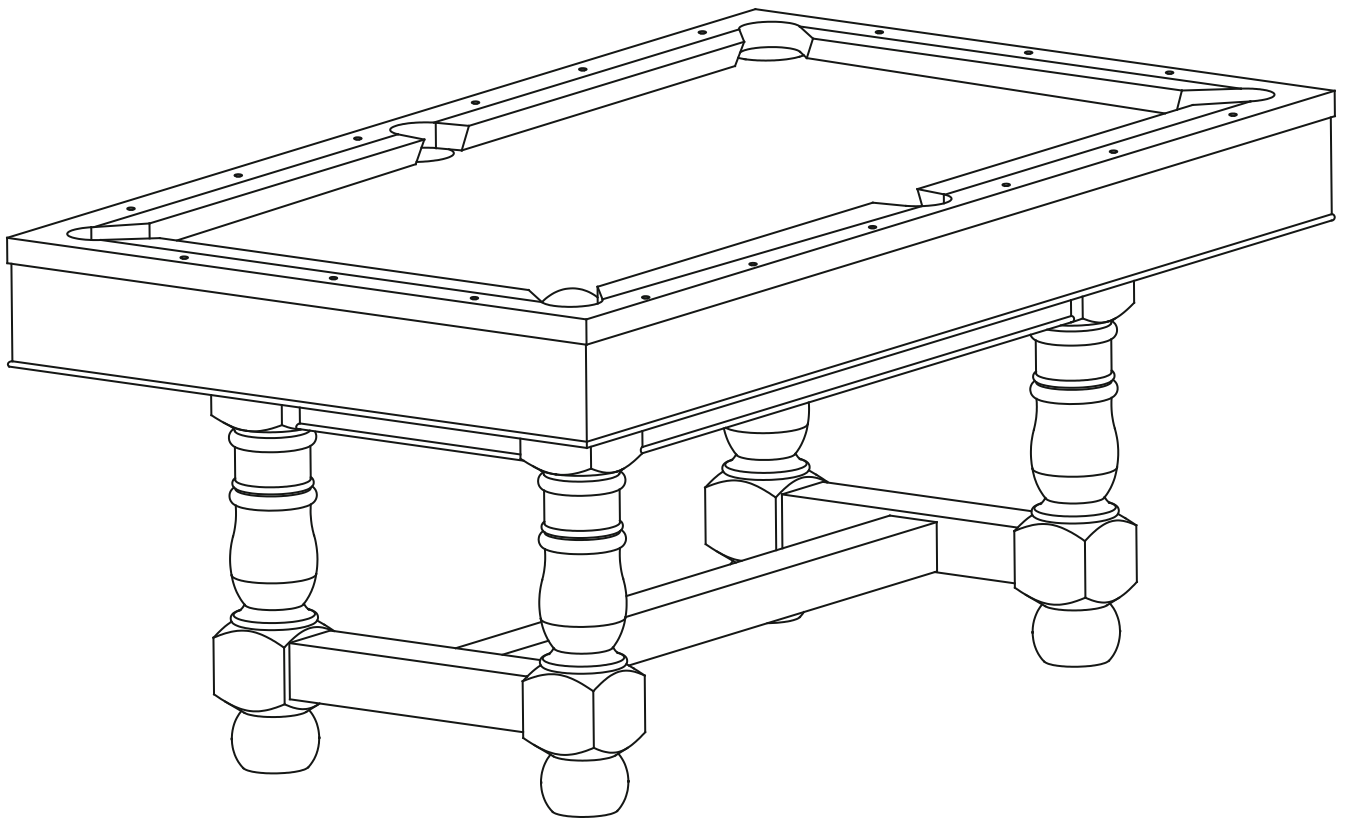
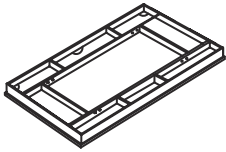


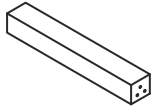
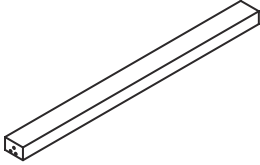
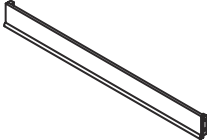
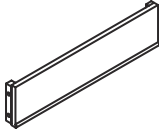
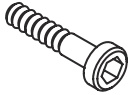


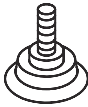

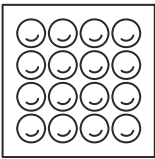
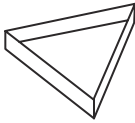
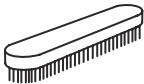
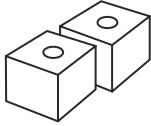

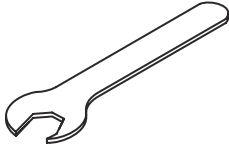


CHAMBERLAIN GAME TABLES

ASSEMBLY INSTRUCTIONS FOR
7 FT WD SAVANNAH
NIGHTS POOL TABLE

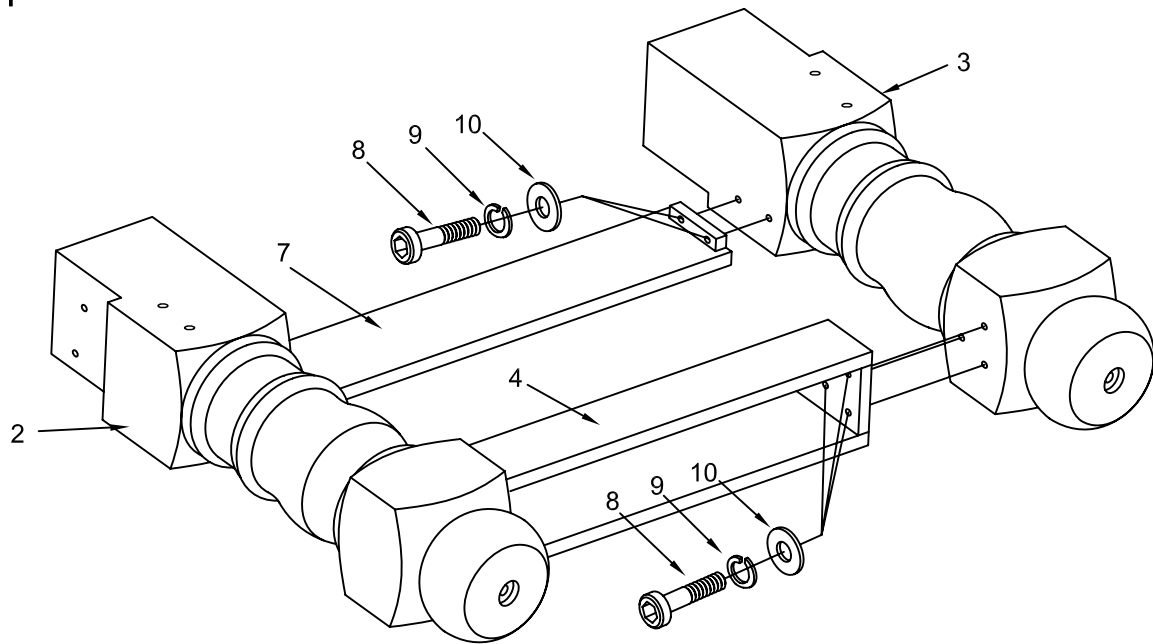


Parts List

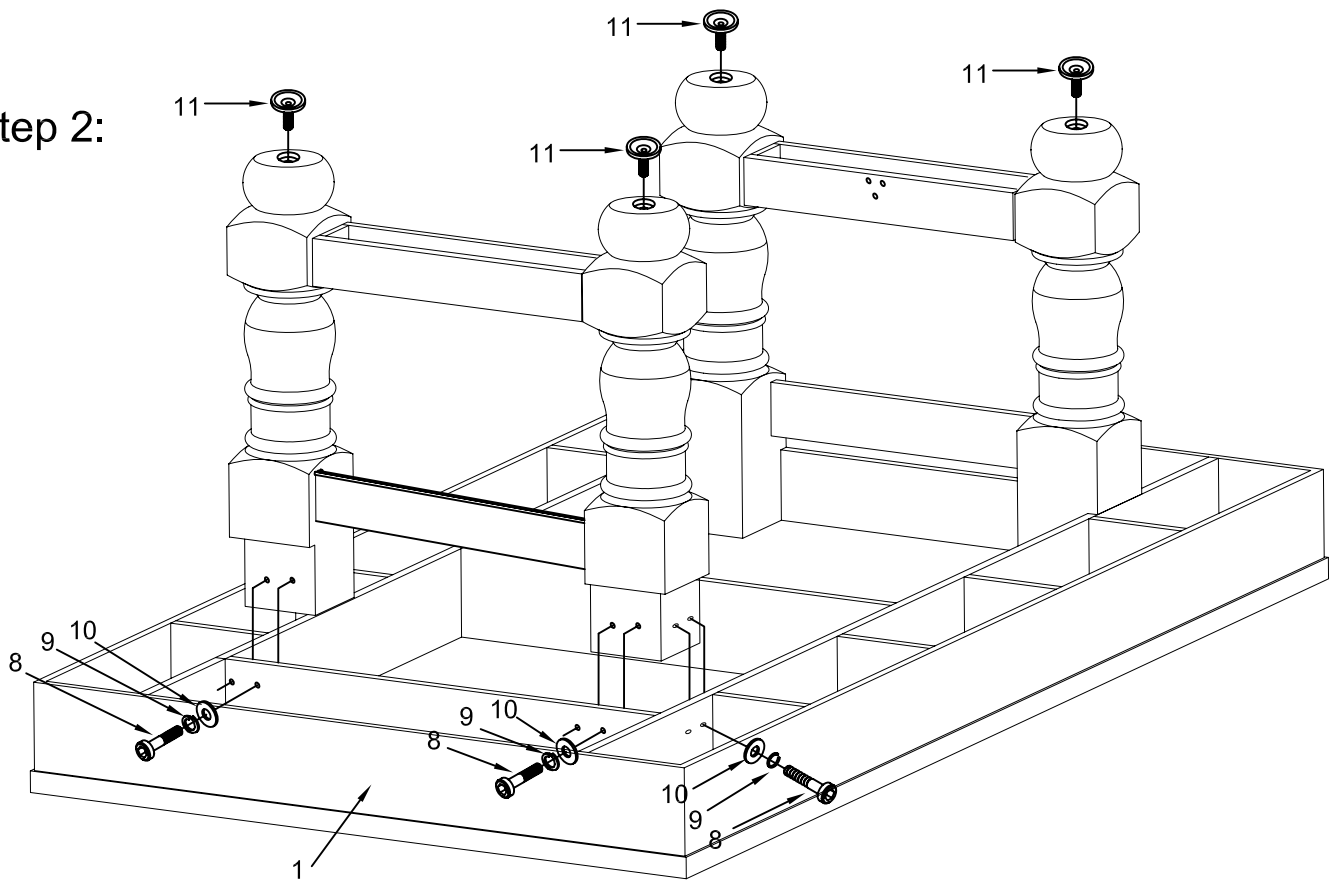
<p>#1</p>  <p>Main frame 1 piece</p>	<p>#2</p>  <p>Leg (A) 2 pieces</p>	<p>#3</p>  <p>Leg (B) 2 pieces</p>	<p>#4</p>  <p>Leg end panel 2 pieces</p>
<p>#5</p>  <p>Side panel 1 piece</p>	<p>#6</p>  <p>2 pieces</p>	<p>#7</p>  <p>2 pieces</p>	<p>#8</p>  <p>5/16"X1-1/2" Bolt 50 pieces</p>
<p>#9</p>  <p>5/16" Washer 50 pieces</p>	<p>#10</p>  <p>5/16" Washer 50 pieces</p>	<p>#11</p>  <p>Leg leveler 4 pieces</p>	<p>#12</p>  <p>Cue stick 2 pieces</p>
<p>#13</p>  <p>Billiard balls 1 set</p>	<p>#14</p>  <p>Triangle 1 piece</p>	<p>#15</p>  <p>Brush 1 piece</p>	<p>#16</p>  <p>Chalk 2 pieces</p>
<p>#17</p>  <p>Allen key 1 piece</p>	<p>#18</p>  <p>Wrench 1 piece</p>		

DO NOT SIT ON TABLE!

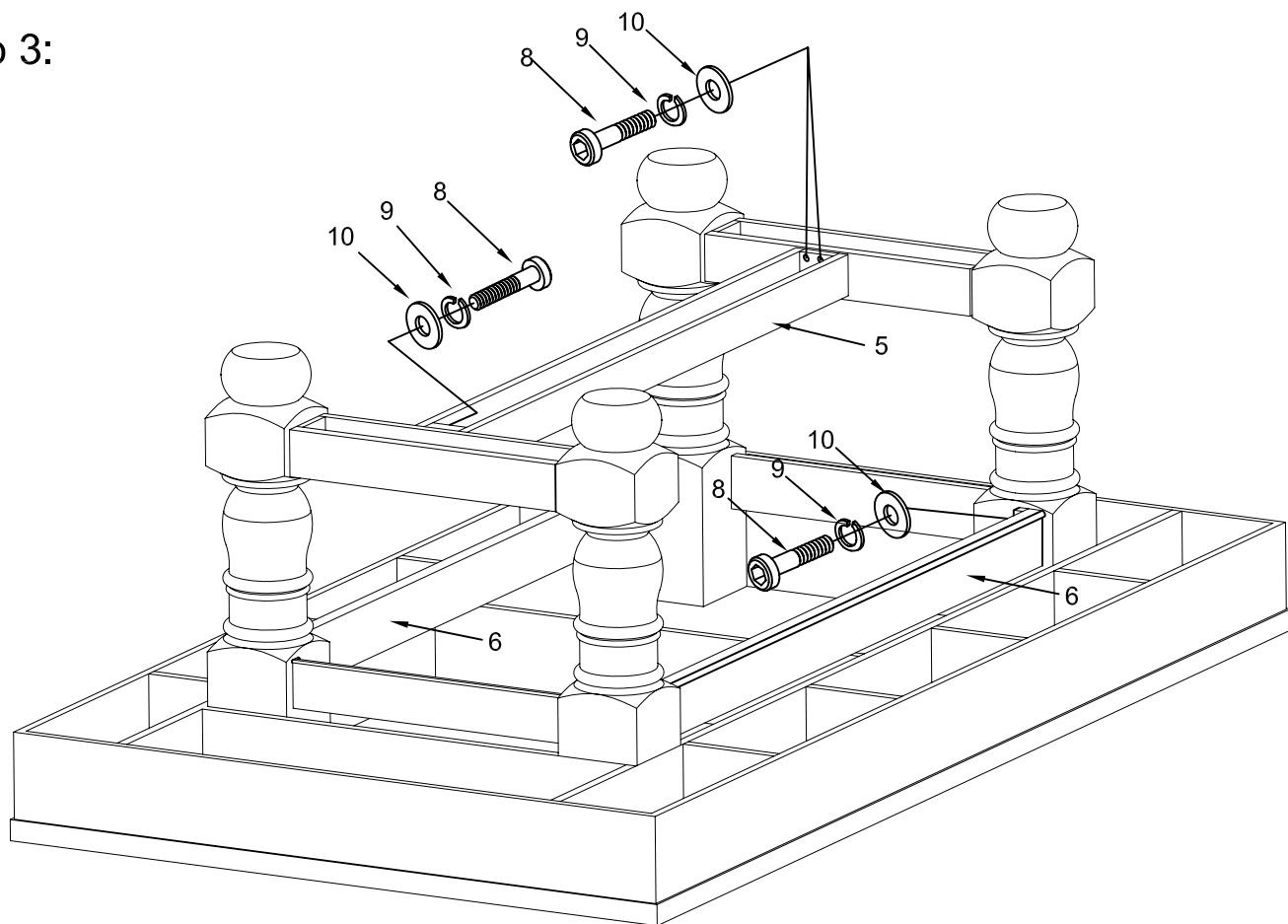
Step 1:



Step 2:



Step 3:



Step 4:

