

Cuisinart®

Outdoor Grilling Products

STAINLESS STEEL PROPANE PATIO HEATER

Model NO: COH-300

⚠ DANGER

If you smell gas:

1. Shut off gas to the appliance.
2. Extinguish any open flame.
3. If odor continues, keep away from the appliance and immediately call your gas supplier or fire department.

⚠ WARNING

Do not store or use gasoline or other flammable vapors and liquids in the vicinity of this or any other appliance.

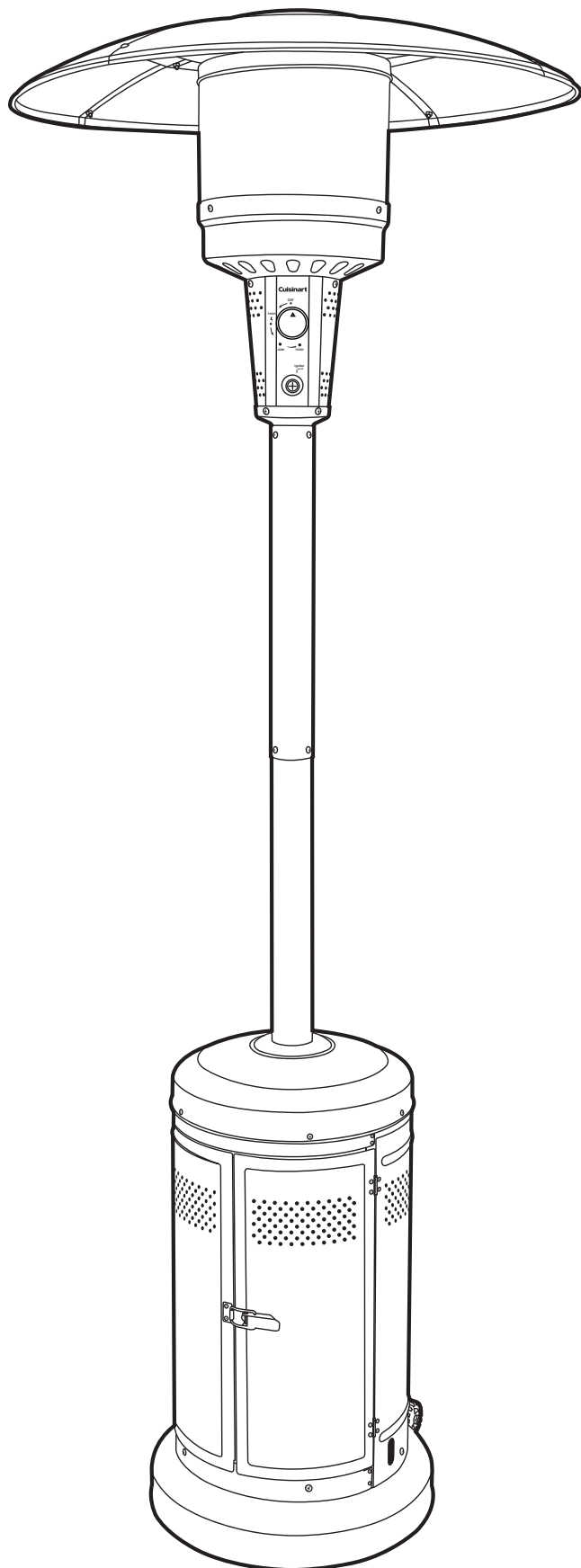
An LP-cylinder not connected for use shall not be stored in the vicinity of this or any other appliance.

⚠ WARNING

Improper installation, adjustment, alteration, service or maintenance can cause property damage, injury or death. Read the installation, operating and maintenance instructions thoroughly before installing or servicing this equipment.

⚠ WARNING

For outdoor use only.



Customer Service Hotline
1-866-994-6390

DO NOT RETURN YOUR PATIO
HEATER TO THE STORE

Before visiting your local retailer, call our customer service department at 1-866-994-6390 from 9:00 am to 5:00 pm Eastern time, Monday through Friday.

CALIFORNIA PROPOSITION 65 WARNING:

- **WARNING:** This product can expose you to lead, which is known to the State of California to cause cancer and birth defects or other reproductive harm. For more information go to www.P65Warnings.ca.gov

TABLE OF CONTENTS

Product Specification	2
Safety Information	3
Package Contents	5
Hardware Contents	6
Assembly Preparation	7
Assembly Instructions	7
Safety Check	11
Operation Instructions	11
Care and Maintenance	12
Troubleshooting	14
Replacement Part List	15
Warranty	16

PRODUCT SPECIFICATIONS

Certification	CSA
Height Overall	86.6 inches
Reflector Diameter	31.50 inches
Rated Heat Input	48,000 BTU/HR
Fuel	Propane-LP
Gas Supply	20-Lb LP-Gas cylinder
Manifold Pressure	11 inches W.C
Injector Size (diameter)	2.14 mm
Safety Features	Thermocouple & Tilt Switch
Gas Supply Pressure	Max 150 PSI, Min 5 PSI

Manufacturer:

Guangdong Chant Group Inc.No.42 Xiaolan Industrial Road South Zhongshan, Guangdong 528415, China



Please read and understand this entire manual before attempting to assemble, operate or install the product.

1. The installation must conform with local codes or, in the absence of local codes, with the National Fuel Gas Code, ANSI Z223.1 /NFPA 54, Natural Gas and Propane Installation Code, CSA B149.1, or Propane Storage and Handling Code, B149.2.
2. Minimum clearance to the combustible materials is 3.61 ft(1100mm).
3. Perform a leak test with a soapy solution:
 - (a) To check gas connections.
 - (b) After connecting a new cylinder.
 - (c) Upon re-assembly after disassembly.

Please refer to the leak test procedure indicated in this instruction manual on page 11.

Replace the hose assembly prior to the appliance being put into operation if there is evidence of excessive abrasion or wear, or if the hose is damaged. The pressure regulator and hose assembly supplied with the appliance must be used. The replacement hose assembly/ regulator shall be that specified by the manufacturer.

4. If you don't feel the heater is on a stable surface, use a ground screw to fix the base of the heater on the surface where the heater is installed. Fix the base on an incline no wider than 15 degrees.
5. Place the propane hose with regulator assembly out of pathways where people may trip over it or in areas where the hose will not be subjected to accidental damage.
6. Materials or items when stored under the heater will be subjected to intense heat and could be seriously damaged.
7. Clothing or other flammable materials should not be hung on the heater, or placed on, under or near the heater.
8. Children and adults should be alerted to the hazards of high surface temperatures and should stay away to avoid burns or clothing ignition.
9. Young children should be carefully supervised when they are in the area of the heater.
10. Any guard or other protective device removed for servicing the heater must be replaced prior to operating the heater.
11. Installation and repair should be done by qualified service person, the heater should be inspected before use and at least annual by a qualified service person.
12. More frequent cleaning may be required as necessary. It is imperative that the control compartment, burners and circulating air passageways of the heater to kept clean.
13. Keep the appliance area clear and free from combustible materials, gasoline and other flammable vapors and liquids.
14. Do not obstruct the flow of combustion and ventilation air.

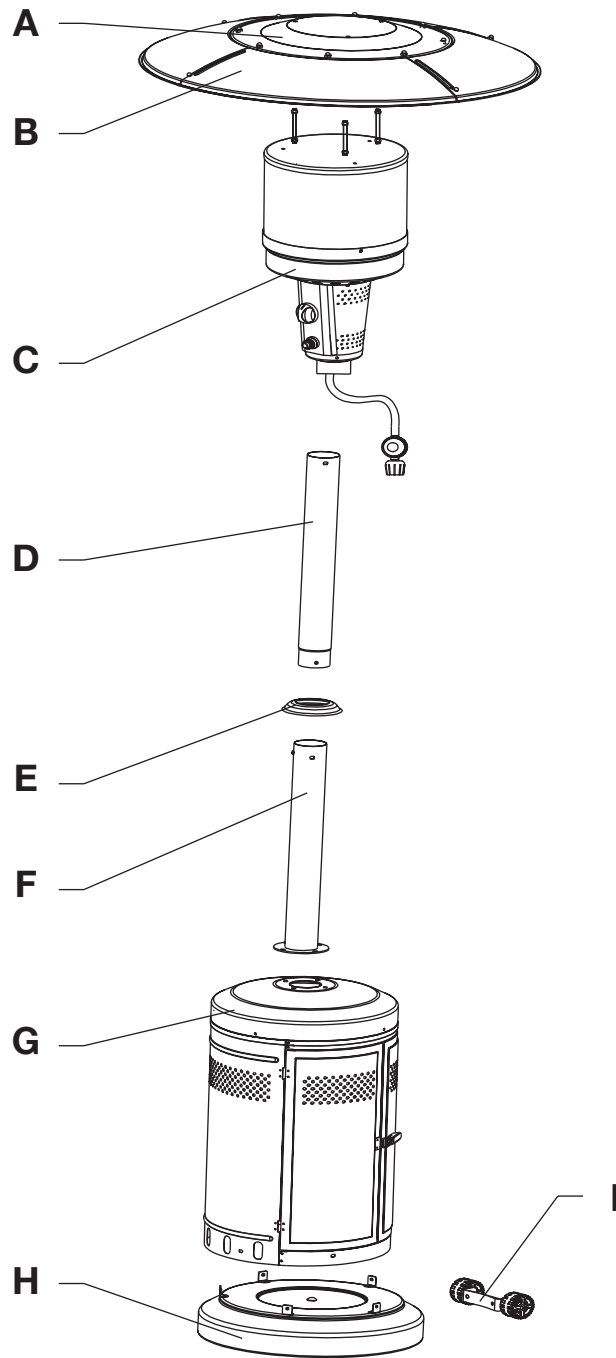
SAFETY INFORMATION

15. Keep the ventilation opening(s) of the cylinder enclosure free and clear from debris. Use this appliance in a well-ventilated space only. Do not use it in a building, garage, or any other enclosed area. Use this appliance in outdoor areas described below:
- (a) With walls on all sides, but at least one permanent opening at ground level and no overhead cover.
 - (b) Within a partial enclosure that includes overhead cover and no more than two walls. These walls may be parallel, or at right angles to each other.
 - (c) Within a partial enclosure that includes overhead cover and no more than two walls. The following shall apply:
 - (i) One wall that is equivalent to at least 25% of the total wall area is completely open.
 - (ii) 30% or more in total of the remaining wall area is open and unrestricted.
16. The LP-gas supply cylinder to be used must be:
- (a) Constructed and marked in accordance with the Specifications for LP-gas cylinders of the U.S. Department of Transportation of Dangerous Goods and Commission, CAN/CSA-B339, as applicable;
 - (b) Provided with a listed overfilling prevention device; and
 - (c) Provided with a cylinder connection device compatible with the connection for the appliance.
17. Disconnect the cylinder when the appliance is not in use.
18. Storage of an appliance indoors is permissible only if the cylinder is disconnected and removed from the appliance.
19. Store the cylinder outdoors in a well-ventilated area (not in a building, garage, or other enclosed area) out of the reach of children.
20. The cylinder used must include a collar to protect the cylinder valve.
21. Do not store a spare LP-gas cylinder under or near this appliance;
22. Never fill the cylinder beyond 80 percent full;
23. Place the dust cap tightly on the cylinder valve outlet whenever the cylinder is not in use. Install only the type of dust cap on the cylinder valve that is provided with the cylinder valve. Other types of caps or plugs may result in a propane leak.
24. Inspect the visible portion of the hose before each use of the appliance.
25. More frequent cleaning may be required as necessary. It is imperative that the control compartment, burners and circulating air passageways of the heater be kept clean.
26. Every part of the heater shall be secure against displacement and shall be constructed to maintain a fixed relationship between essential parts under normal and reasonable conditions of handling and usage. Parts not permanently secured shall be designed so they cannot be incorrectly assembled and cannot be improperly located or misaligned in removing or replacing during cleaning or other servicing.

CALIFORNIA PROPOSITION 65 WARNING:

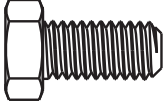


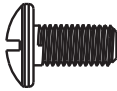
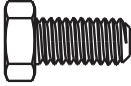
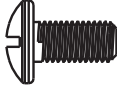



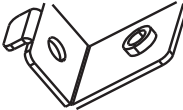
- (a) Combustion by-products produced when using this product contain chemicals known to the State of California to cause cancer and birth defects or other reproductive harm.
- (b) Handling the brass material on this product exposes you to lead, a chemical known to the State of California to cause cancer and birth defects or other reproductive harm. Wash hands after handling.
- (c) This product contains chemicals, including lead and lead compounds, known by the State of California to cause cancer, reproductive harm, or other birth defects.
- (d) **Wash your hands after using this product.**

PACKAGE CONTENTS



Part	Description	Quantity
A	Top Dome	1 pc
B	KD Dome	1 pcs
C	Burner Assembly	1 pc
D	Upper Pole	1 pc
E	Beauty Ring	1 pc
F	Lower Pole Assembly	1 pc
G	Cylinder Housing Assembly	1 pc
H	Base	1 pc
I	Wheel Assembly	1 pc

HARDWARE CONTENTS

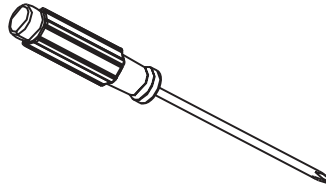
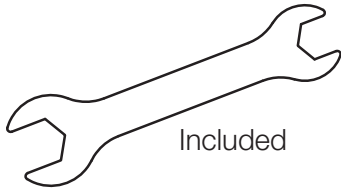
HARDWARE	DESCRIPTION	QTY
AA	M8 x 15 mm Bolt 	(x2)
BB	Reflector Spacer 	(x3)
CC	M8 Nut 	(x2)
DD	M5 x 8 mm Bolt 	(x16)
EE	M6 x 10 mm Bolt 	(x4)
FF	M5 x 8 mm Silver Bolt 	(x12)
GG	M5 Nut 	(x12)
HH	AAA Battery 	(x1)
II	Wing Nut 	(x3)
JJ	Shroud Fix Bracket 	(x5)

ASSEMBLY PREPARATION

Before beginning assembly of product, make sure all parts are present. Compare parts with package contents list and diagram above. If any part is missing or damaged, do not attempt to assemble the product. Contact customer service for replacement parts.

Estimated Assembly Time: 30 minutes

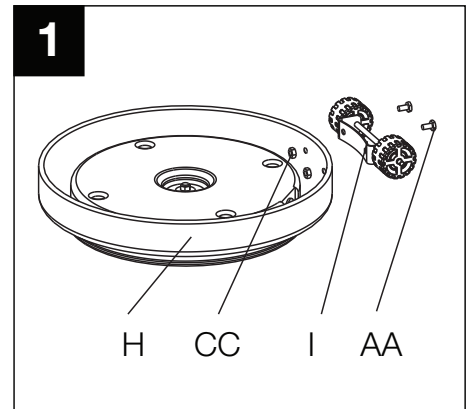
Tools required: Wrench, Magnetic Head Phillips Screwdriver (Not included)



ASSEMBLY INSTRUCTIONS

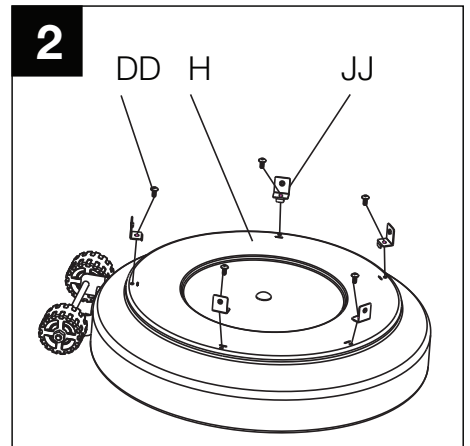
STEP 1

With the Base (H) upside down, attach Wheel Assembly (I) using M8 x 15 mm Bolts (AA) and M8 Nuts (CC).



STEP 2

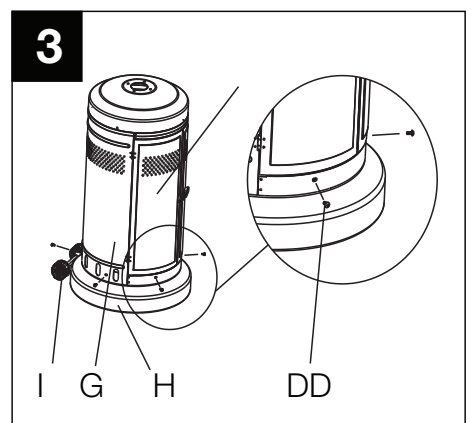
Reverse the Base (H), attach Shroud Fix Brackets (JJ) using M5 x 8 mm Bolts (DD).



STEP 3

Attach Cylinder Housing assembly (G) to base using M5 x 10 mm bolts (DD) through Shroud Fix Brackets (brackets will be on the inside).

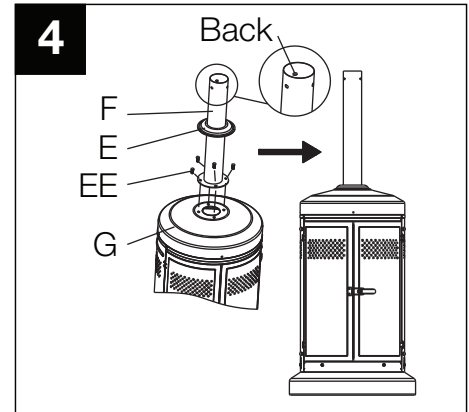
Note: The door on the cylinder assembly (G) should be on the opposite side of the wheel assembly (I).



ASSEMBLY INSTRUCTIONS

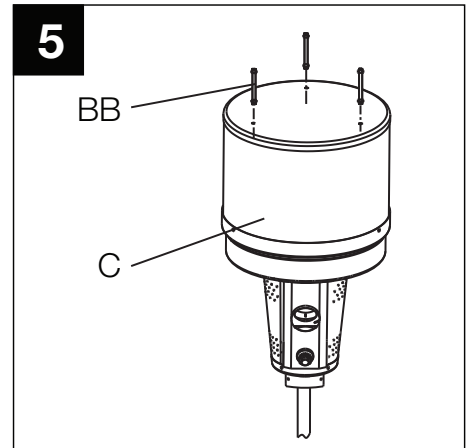
STEP 4

Attach Lower Pole assembly (F) to Cylinder Housing Assembly (G) using M6 x 10 mm bolts (EE), and then put Beauty Ring (E) through the Lower Pole assembly on top of Cylinder Housing Assembly (G).



STEP 5

Screw Reflector Spacers (BB) into the top of Burner Assembly (C).



STEP 6

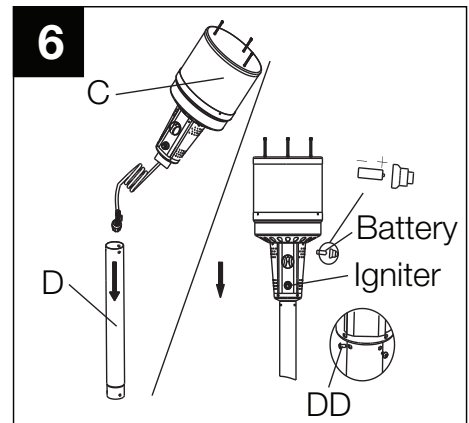
Feed the valve and gas hose and connect the Burner Assembly (C) to the Upper Pole (D).

Feed the valve and gas hose into and go through the Upper Pole (D).

Align the screw holes and secure Burner Assembly (C) onto Upper Pole (D) with M5 x 8 mm Bolts (DD).

Notes:

- Open the igniter cap by unscrewing the cap counter clock wise.
- Take out the AAA-battery included in the pack with instruction manual.
- Insert the AAA-battery to the igniter.
- Screw the igniter cap back clockwise



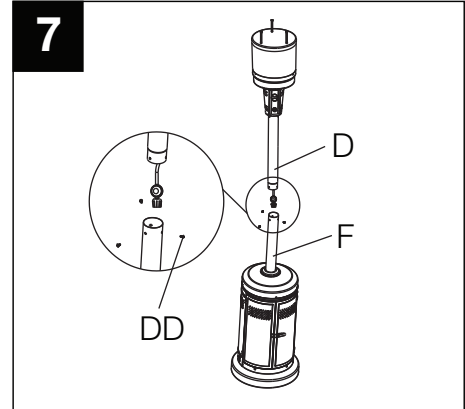
ASSEMBLY INSTRUCTIONS

STEP 7

Feed the valve and gas hose and connect Upper Pole (D) to the Lower Pole Assembly (F).

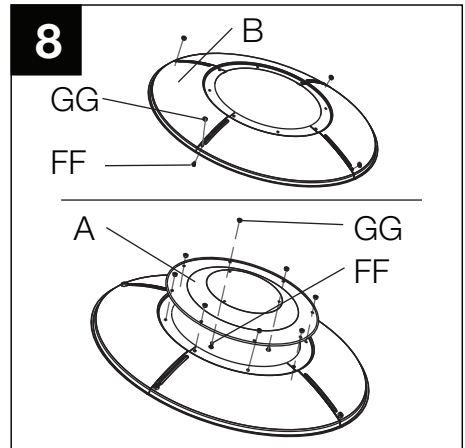
Feed the valve and gas hose into and go through the Lower Pole Assembly

Screw Upper Pole (D) onto Lower Pole Assembly (F) until the holes on Upper Pole (D) is aligned to the holes on top of Lower Pole Assembly (F). Fix them by using three M5 x 8 mm Bolts (DD). Ensure they are fully tightened.



STEP 8

Attach the four KD Domes (B) using M5 x 8 mm Silver Bolts (FF) and M5 Nuts (GG). Then, complete dome assembly by attaching Top Dome (A) to KD Domes (B) with M5 x 8 mm Silver Bolts (FF) and M5 Nuts (GG).



STEP 9

Attach dome assembly to Burner Assembly (C) by securing wing nuts (KK) to Reflector Spacers (BB).

Take out the AAA-battery included in the pack with instruction manual.

Insert the AAA-battery to the igniter.

Screw the igniter cap back clockwise.



ASSEMBLY INSTRUCTIONS

STEP 10

Connect Hose & Regulator Assembly to 20lb.LP-gas cylinder (sold separately).

Line up threads on fitting with those on regulator and rotate clockwise until tighten. **HAND TIGHTEN ONLY. DO NOT USE ANY HAND TOOLS TO MAKE THIS CONNECTION.** Be careful not to cross threads when screwing in fitting.

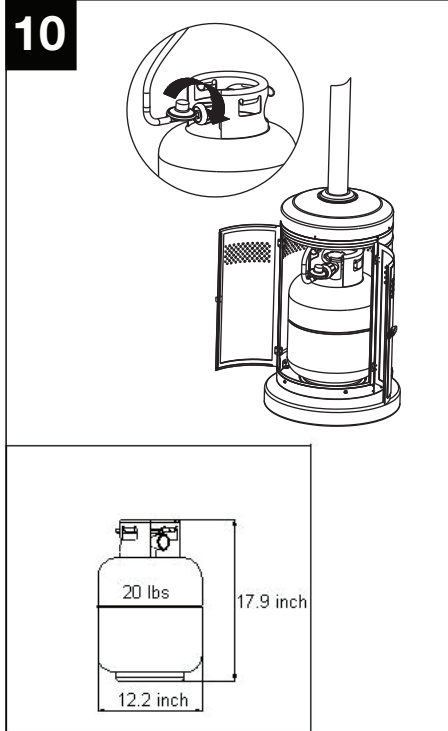
To disconnect the LP-Gas cylinder, first make sure the cylinder valve is "OFF".

Then, turn the knob on the regulator counterclockwise until it is loose.

Warning:

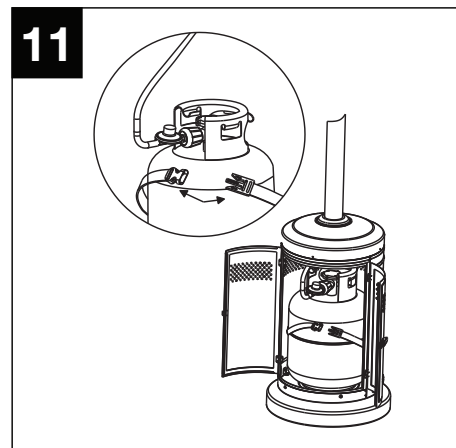
Before connecting, be sure that there is no debris caught in the head of the LP gas cylinder head of the regulator valve or in the head of the burner and burner ports.

Check for leaks after connecting the gas cylinder every time according to the "Checking for Leaks" section on page 11.



STEP 11

11. Attach strap inside of Cylinder Housing Assembly (G) to secure cylinder. Then, close door on Cylinder Housing Assembly (G) to complete installation.

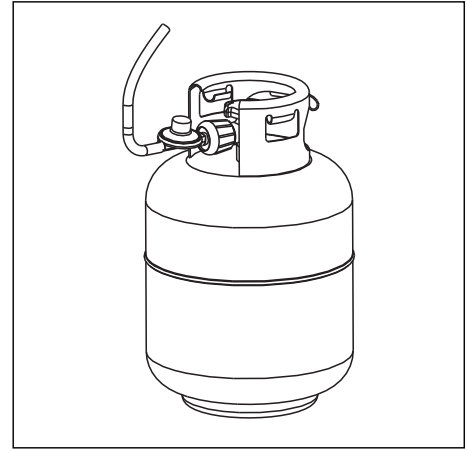


SAFETY CHECK

Checking for Leaks

Your patio heater has been checked at all factory connections for leakage. To check the connection at the gas hose/regulator/cylinder:

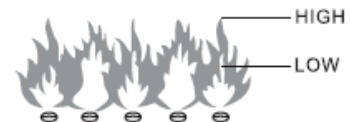
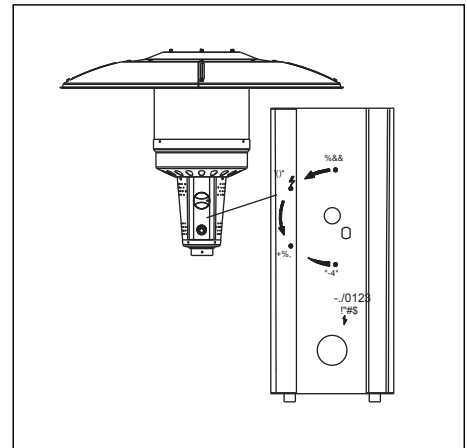
- a. Make leakage solution by mixing 1 part liquid dish soap and 3 part water.
- b. Spoon or brush several drops (or use squirt bottle) of the solution onto the gas hose/regulator and regulator/cylinder and hose connection.
- c. Turn on gas cylinder valve. Inspect the connections and look for bubbles.
- d. If no bubbles appear, the connection is safe.
- e. If bubbles appear, there is leakage. Loosen and re-tighten this connection.



OPERATION INSTRUCTIONS

Lighting Instructions

1. Ensure that the LP gas tank valve is OFF.
2. Push the control knob in, turn to OFF, and wait 5 minutes for any gas to clear.
3. Turn the LP tank valve ON.
4. Push control knob in and slowly rotate to HIGH. This will activate the built-in igniter and light the burner. Once burner is lit, hold control knob in for 30 seconds and then release. If the burner fails to remain lit or becomes extinguished, repeat step 4 before attempting to relight.
5. Turn the control knob from LOW to HIGH to the desired heat setting.



For complete shutdown

1. Please turn the knob to LOW first, then push and turn to OFF for complete shut off.
2. Turn the LP gas tank valve OFF before removing the LP gas tank. If you experience any ignition problem, turn off the heater and gas supply, and consult "Troubleshooting" on page 16.

Visually check the burner flame against the illustrations below:

Flame should be blue with slight yellow tips.

You should see a smaller flame in LOW position than seen on HIGH.

Perform flame check prior to each use. If only low flame is seen, refer to "Burner flame is low" in the "TROUBLESHOOTING" on page 14.

OPERATION INSTRUCTIONS

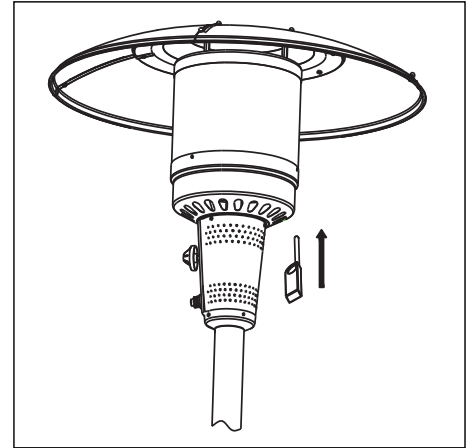
In any case of failure of normal ignition, please use a Lighter gun (Sold Separately) to reach the burner for ignition through the hole on the bottom of burner diffuser.

WARNING FOR YOUR SAFETY:

If at any time you are unable to light burner and smell gas, wait 5 minutes to allow gas to dissipate before attempting to light heater.

WARNING FOR YOUR SAFETY:

DO NOT touch or move heater for at least 45 minutes after use. Allow emitter and dome to cool before touching.



CAUTION:

Avoid inhaling fumes emitted from the heater's first use. Smoke and odor from the burning of oils used in manufacturing will appear. Both smoke and odor will dissipate after approximately 30 minutes. The heater should NOT produce thick black smoke.

CARE AND MAINTENANCE

- Abrasive cleaners will damage this product.
- Never use oven cleaner to clean any part of heater.
- Do not clean any heater part in a self-cleaning oven. The extreme heat will damage the finish.
- More frequent cleaning may be required as necessary. It is imperative that control compartment, burners and circulating air passageways of the heater be kept clean.
- Spiders and insects can create a dangerous condition that may damage heater or make it unsafe. Keep burner area clean of all spiders, webs or insects. Clean burner holes by using a heavy-duty pipe cleaner. Compressed air may help clear away smaller particles.
- Inspect heater before each use.
- Have heater inspected annually and repairs should be made by a qualified service person.
- Check heater immediately if any of the following conditions exist:
 - a. The smell of gas in conjunction with extreme yellow tipping of burner flames.
 - b. Heater does not reach proper temperature.
 - c. Heater's glow is excessively uneven.
 - d. Burner makes popping noises during use.

Note: A slight pop is normal when burner is extinguished.

- Carbon deposits may create a fire hazard. Keep dome and emitter clean at all times.
- Do not clean heater with combustible or corrosive cleaners. Use warm, soapy water.
- This heater should be thoroughly cleaned on a regular basis.
- After a period of storage and/or no use, check for leaks, burner obstructions and inspect for any abrasion, wear, cuts to the hose.

Cleaning

- Wipe surfaces clean with mild dish detergent or baking soda.
- For stubborn surfaces use a citrus-based degreaser and a nylon scrubbing brush.
- Rinse clean with water.

Note: While cleaning the unit, be sure to keep the area around the burner and pilot assembly dry at all times. Do not submerge the control valve assembly. If the gas control is submerged in water, do NOT use it. It must be replaced.

TIP: Use high-quality automobile wax to help maintain the appearance of the heater. Apply to exterior surfaces from the pole down. Do not apply to emitter screen or domes.

Maintenance

- Keep exterior surfaces clean.
- Air flow must be unobstructed. Keep controls, burner and circulating air passageways clean.

Signs of possible blockage include:

Gas odor with extreme yellow tipping of flame.

Heater does NOT reach the desired temperature.

Heater glow is excessively uneven.

Heater makes popping noises.

Note: In a salt-air environment (such as near an ocean) corrosion occurs more quickly than normal. Frequently check for corroded areas and repair them promptly.

Storage

Between uses or during periods of extended inactivity:

- Turn control knob to "OFF".
- Disconnect LP cylinder and move to a secure, well-ventilated location outdoors.
- Store heater upright in an area sheltered from direct contact with inclement weather (such as rain, sleet, hail, snow, dust and debris).

Note: Never leave LP gas tank exposed to direct sunlight or excessive heat.

- If desired, use cover (Sold Separately, Model Number CHC-301) to protect the heater and help prevent buildup in air passages.

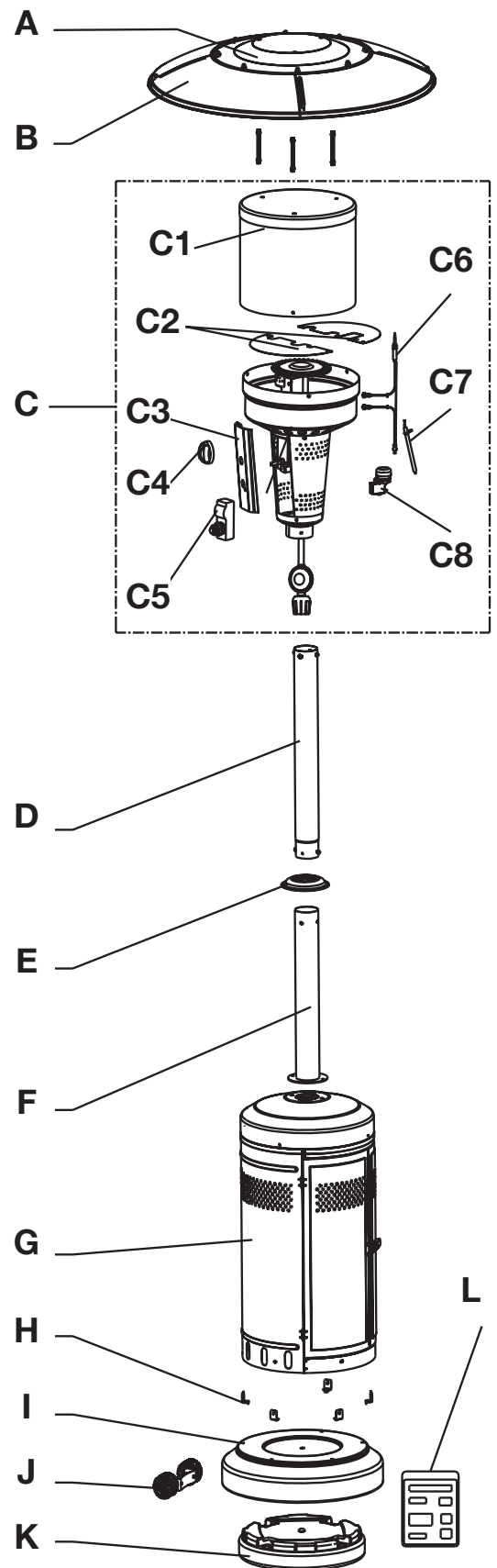
CAUTION: Wait until heater is cool before covering.

TROUBLESHOOTING

Problem	Possible Cause	Corrective Action
Burner won't light.	<ul style="list-style-type: none"> • Gas pressure is low. • The orifice is blocked. • Control knob is not in "High" position. 	<ul style="list-style-type: none"> • Turn tank valve "OFF" and replace the tank. • Clear blockage. • Turn control knob to "High".
Burner flame is low.	<ul style="list-style-type: none"> • Gas pressure is low. • The control knob is not positioned at "High". • The burner jet may be partially blocked. • Outdoor temperature is less than 40°F and tank is less than 1/4 full. • Supply hose is bent or kinked. 	<ul style="list-style-type: none"> • Turn tank valve "OFF" and replace the tank. • Position the control knob at "High". • Clear blockage. • Use a full tank. • Straighten the hose.
Carbon build-up.	<ul style="list-style-type: none"> • Build-up of carbon can accumulate over time. 	<ul style="list-style-type: none"> • Wipe off before lighting.
Thick black smoke.	<ul style="list-style-type: none"> • Blockage in burner. 	<ul style="list-style-type: none"> • Remove blockage and clean burner inside and outside.

REPLACEMENT PARTS LIST

Part	Description
A	Top Dome
B	KD Dome
C	Burner Assembly
C1	Burner Chamber Assembly
C2	Insulation Plate
C3	Control Panel
C4	Knob
C5	Igniter
C6	Thermocouple
C7	Ignition Pin
C8	Tilt Switch
D	Upper Pole
E	Beauty Ring
F	Lower Pole Assembly
G	Cylinder Housing Assembly
H	Shroud Fix Bracket
I	Base
J	Wheel Assembly
K	Weight Plate
L	Hardware Pack



WARRANTY

1-Year Limited Warranty

The appliance has been manufactured under the highest standards of quality and workmanship. We warrant to the original consumer / purchaser that all aspects of this product will be free of defects in material and workmanship for one (1) year from the date of purchase. A replacement for any defective part will be supplied free of charge for installation by the consumer. Defects or damage caused by the use of other than genuine parts are not covered by this warranty. This warranty shall be effective from the date of purchase as shown in the purchaser's receipt. This warranty is valid for the original consumer purchaser only and excludes industrial, commercial or business use of the product, product damage due to shipment or failure which results from alteration, product abuse, or product misuse, where performed by a container, service company, or consumer. We will not be responsible for labor charges and/or damage incurred in installation, repair or replacement, nor for incidental or consequential damage. This warranty gives you specific legal rights, and you may also have the other rights that vary from state to state.

For troubleshooting, FAQs or customer service, visit us at www.cuisinart.com/outdoorgrilling or contact us at 1-866-994-6390

Model # COH-300
North American Distributor:
The Fulham Group
Newton, MA 02466