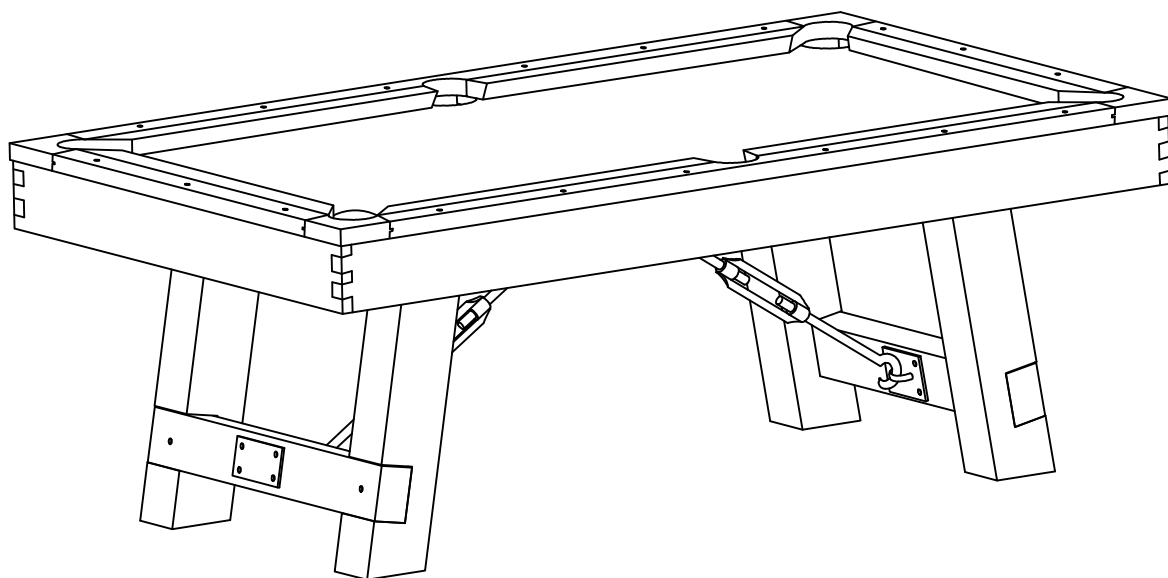


CHAMBERLAIN GAME TABLES

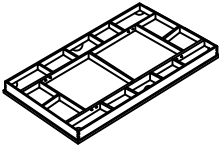


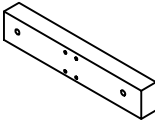
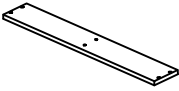
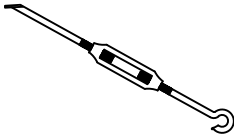
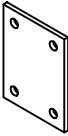





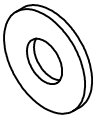
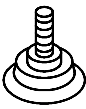

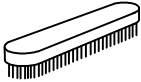
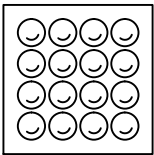
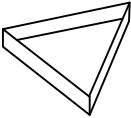
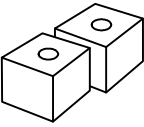
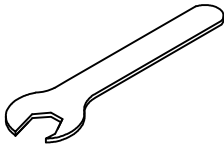
ASSEMBLY INSTRUCTIONS FOR

"ASPEN NIGHTS" DRIFTWOOD 7' WOOD POOL TABLE WITH TURNBUCKLE SUPPORT

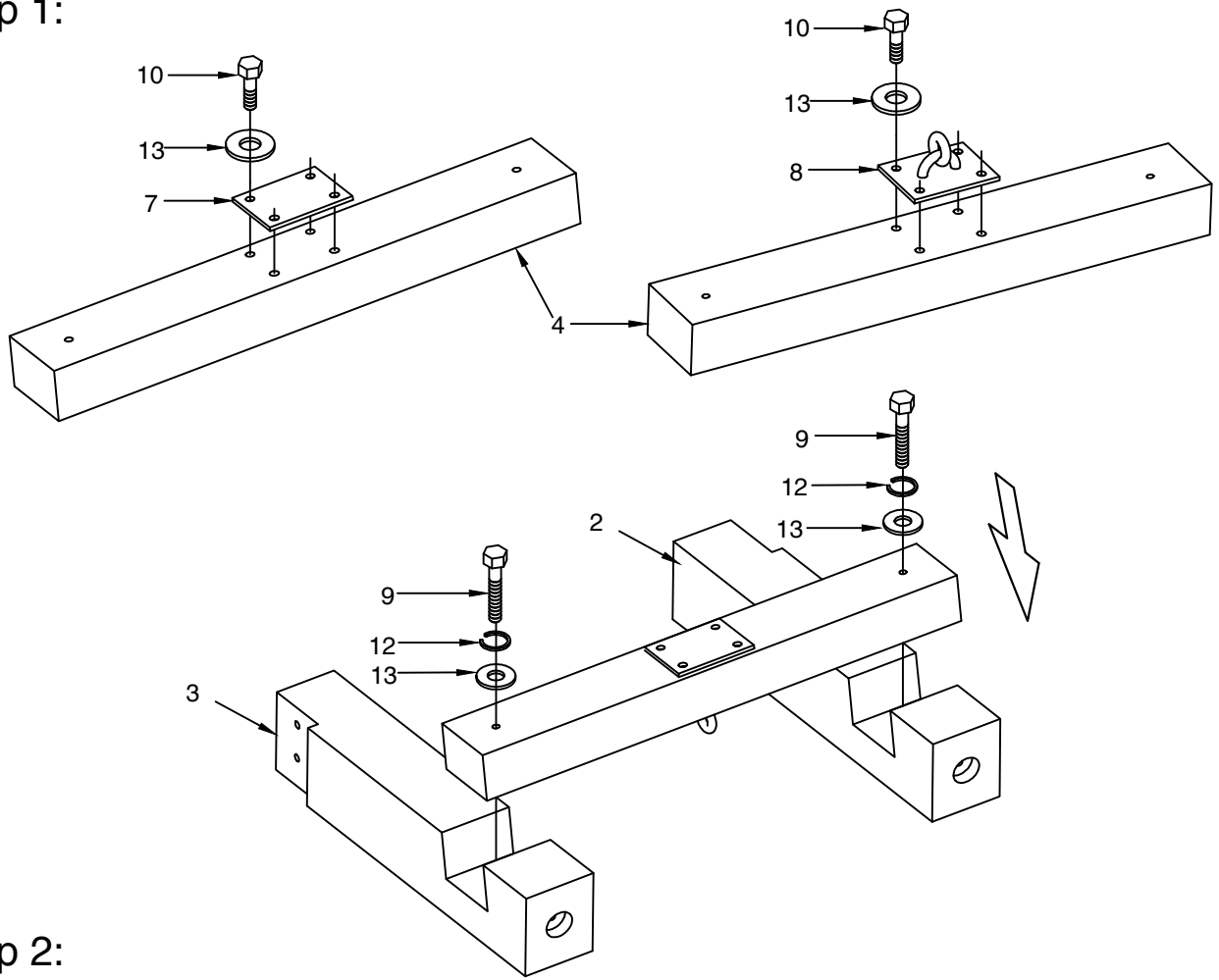


PG-4075

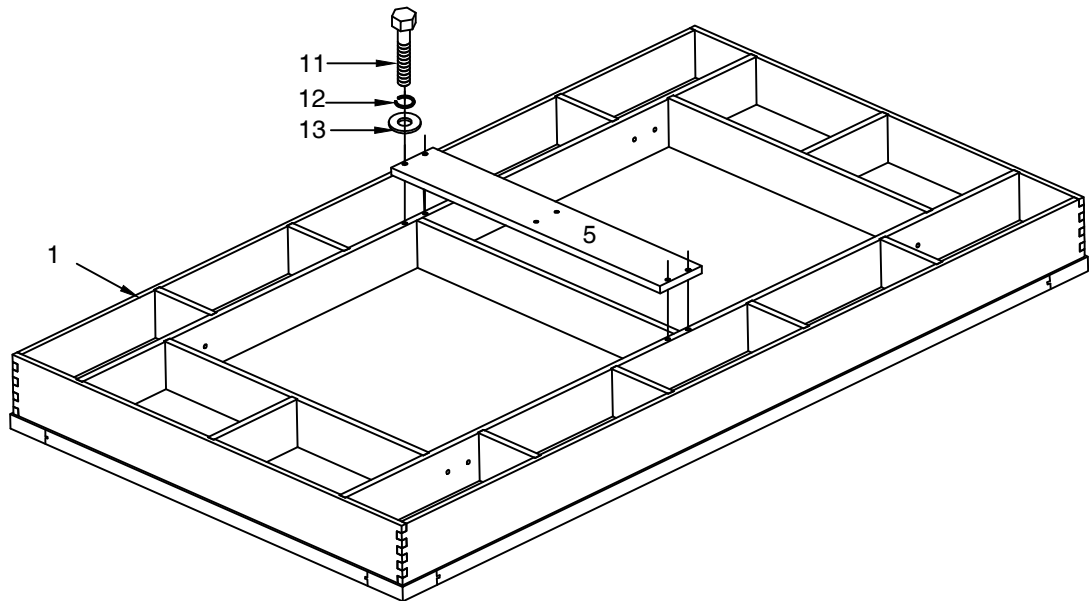
Parts List

<p>#1</p>  <p>Main frame 1 piece</p>	<p>#2</p>  <p>Leg (A) 2 pieces</p>	<p>#3</p>  <p>Leg (B) 2 pieces</p>	<p>#4</p>  <p>Leg end panel 2 pieces</p>
<p>#5</p>  <p>Support Brace 1 piece</p>	<p>#6</p>  <p>Metal Turnbuckle 2 pieces</p>	<p>#7</p>  <p>Metal Connector(A) 2 pieces</p>	<p>#8</p>  <p>Metal Connector(B) 2 pieces</p>
<p>#9</p>  <p>5/16"X4" Bolt 4 pieces</p>	<p>#10</p>  <p>5/16"X1" Bolt 18 pieces</p>	<p>#11</p>  <p>5/16"X1-1/2" Bolt 12 pieces</p>	<p>#12</p>  <p>5/16" Washer 16 pieces</p>
<p>#13</p>  <p>5/16" Washer 34 pieces</p>	<p>#14</p>  <p>Leg leveler 4 pieces</p>	<p>#15</p>  <p>Cue stick 2 pieces</p>	<p>#16</p>  <p>Brush 1 piece</p>
<p>#17</p>  <p>Billiard balls 1 set</p>	<p>#18</p>  <p>Triangle 1 piece</p>	<p>#19</p>  <p>Chalk 2 pieces</p>	<p>#20</p>  <p>Wrench 1 piece</p>

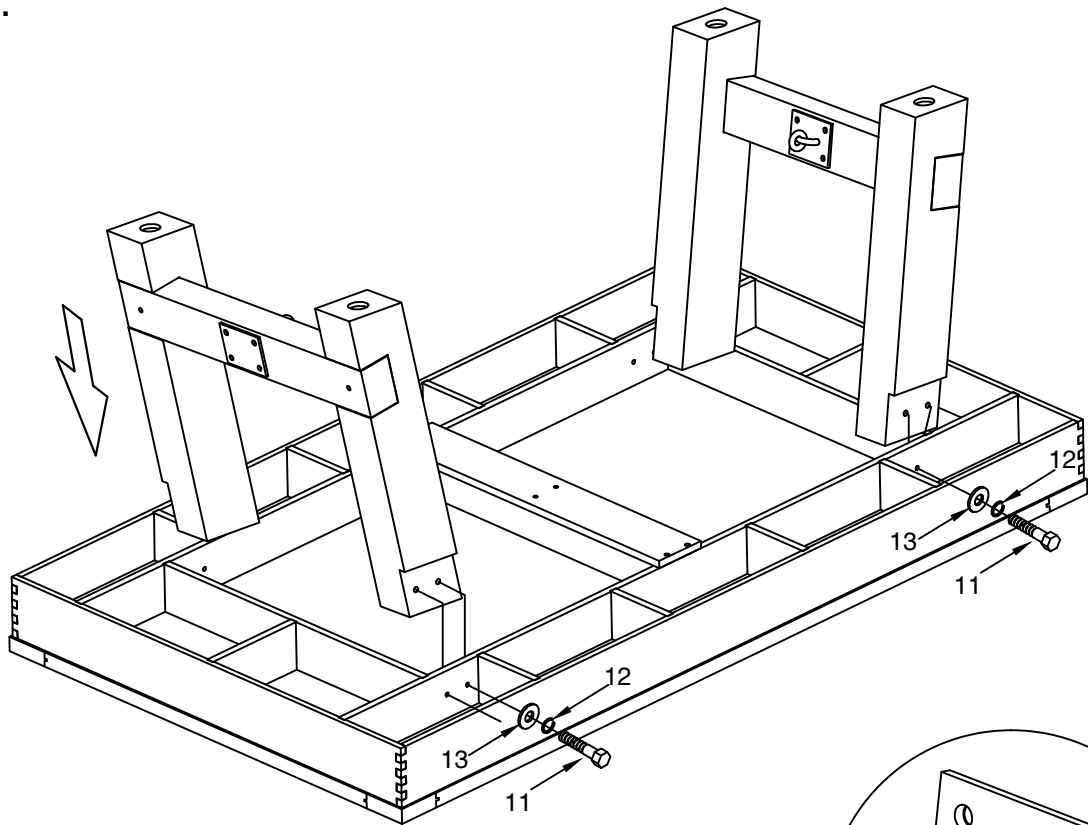
Step 1:



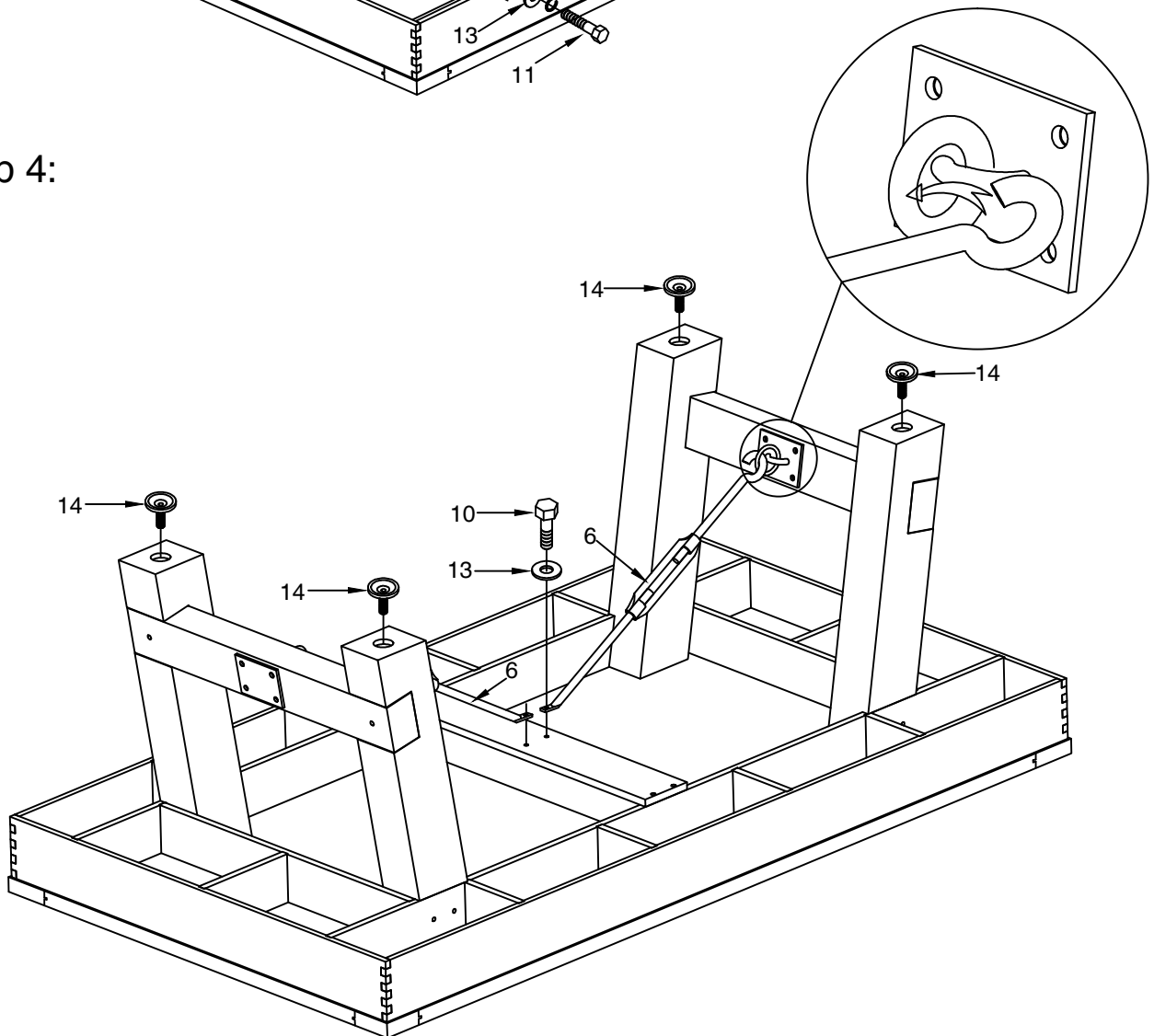
Step 2:



Step 3:



Step 4:



Step 5:

