

Outdoor Furniture



IMPORTANT

If you have any problems with this product (missing or damaged parts, assembly issues, etc.),

PLEASE DO NOT RETURN TO THE RETAILER/STORE

where you purchased the product.

Please call our Toll-Free Customer Service Hotline at: **1-866-988-3300**

Between 8:00 AM and 5:00 PM Pacific Standard Time, Monday through Friday

To expedite any future warranty claims, please retain the instruction sheet, warranty card and receipt for future use.

Care and Maintenance

Store furniture in an upright position. Be careful not to allow water to build up in frames, as this will cause corrosion and freeze damage in cold climates. Wash all frames with a solution of mild soap and water. Rinse with clean water and dry with a soft absorbent cloth towel. Frames can be treated with a liquid wax for maximum protection against UV rays and/or salty, damp air. If your set includes cushions, slings, and/or an umbrella, they may be cleaned by hand with a solution of soap and water with a clean water rinse. (Never machine wash cushions, slings or umbrella covers as this will result in shrinkage or damage). After cleaning cushions, tip on end and allow to drip dry. (Never use a commercial or home dryer to tumble dry fabric goods). Do not use bleach or solvents to clean any product! This will void the warranty.

Outdoor Furniture

1-Year Limited Warranty Program

For a period of one (1) year after date of purchase, the Manufacturer will either repair or replace defective components in accordance with this Limited Warranty. This warranty is between the Manufacturer and the original purchaser and is valid only when accompanied by the original purchaser's sales receipt showing original date of purchase and location of purchase. Replacements under this warranty revert back to the date of original purchase for future warranty.

The Manufacturer or its authorized dealer can accept or reject warranty claims based on its findings. This warranty applies in normal residential use only and is not intended for commercial use. The Manufacturer can make substitutions as required of materials, components, and sub-components of comparable value and utility. This warranty is limited to product repair or replacement (to be determined solely by the Manufacturer). Warranty return is limited to only the single affected component.

This limited warranty covers only manufacturing defects and does not cover normal wear and tear, damage due to acts of nature (such as, but not limited to freezing or high winds), abuse or misuse, including chemical damage from suntan oil or other chemicals, exposure to extreme heat or cold, abrasion or excessive weight. This product is intended to be used in standard installations only. This warranty is void if the product is not used for its intended purpose. The Manufacturer disclaims liability for any aspect of installation and any inconvenience caused by a defective part of a component.

Certain items are not covered by this warranty. These include, but are not limited to the following:

1. Components subjected to abuse, including abuse intended to simulate failure.
2. Damages caused by retailer, shipper or installation crew (such as scratches, dents, tears, chips, etc.).
3. Any part that merely exhibits normal wear yet functions essentially as new, including chips, scratches or stretching of materials and stitching.
4. Tears, punctures, scratches or any damage caused by improper installation or use.
5. Damage to frames/welds resulting from improper assembly or exposure to water and/or sub-freezing temperatures is not covered. General frame rusting is not covered.
6. Fading and/or discoloration of fabrics/cushions/straps/wicker resulting from exposure to the elements, chemicals, oils, fluids or any other cause are not covered.
7. Umbrella bases are not covered under any circumstances.
8. Items sold "as is" or floor models.

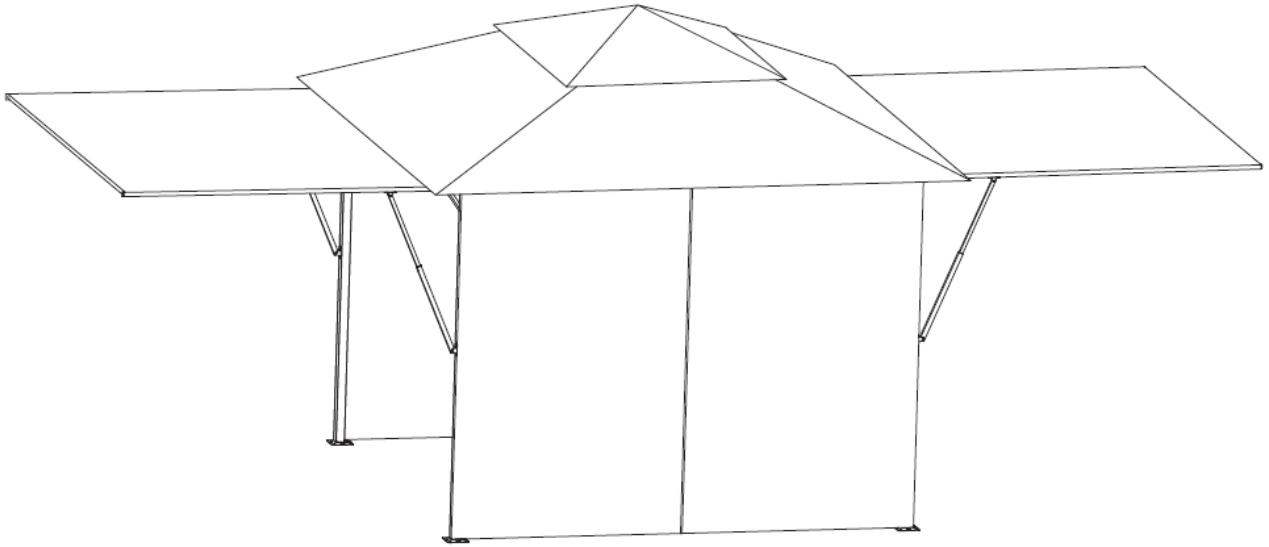
To make a claim, call the toll-free number below. Please have available a copy of the original sales receipt along with a brief description of the problem. Please also provide your email address and daytime telephone or cell phone number. All items may be charged actual freight costs plus \$15 for handling. Repairs or replacement will be made at the Manufacturer's option. ***Sales and use taxes, plus shipping and handling charges are the responsibility of the consumer.***

THIS IS THE ENTIRE EXCLUSIVE EXPRESS LIMITED LIABILITY. THE MANUFACTURER NEITHER MAKES NOR IS RESPONSIBLE FOR ANY OTHER WARRANTIES, EITHER EXPRESS OR IMPLIED, INCLUDING THOSE OF RETAILING DEALERS. THIS EXCLUSIVE REMEDY IS LIMITED TO RECEIPT OF A CREDIT IN CONNECTION WITH THE REPAIR OR REPLACEMENT OF ANY PRODUCT OR COMPONENT DEEMED TO BE DEFECTIVE UNDER THE TERMS AND CONDITIONS AS STATED IN THIS WARRANTY. NEITHER THE PRODUCT MANUFACTURER NOR ITS AGENTS SHALL BE LIABLE IN ANY CASE FOR INCIDENTAL, INDIRECT, SPECIAL OR CONSEQUENTIAL DAMAGES RESULTING FROM THE USE OF THIS PRODUCT OR ARISING OUT OF ANY BREACH OF THIS WARRANTY OR NEGLIGENCE EVEN IF IT HAS BEEN ADVISED OF THE POSSIBILITY OF SUCH DAMAGES. EXCEPT AS OTHERWISE MAY BE REQUIRED BY LAW, THERE ARE NO OTHER EXPRESS OR IMPLIED WARRANTIES OTHER THAN THE WARRANTY DESCRIBED HEREIN, AND ALL OTHER WARRANTIES, INCLUDING ANY IMPLIED WARRANTY OF MERCHANTABILITY OR FITNESS FOR A PARTICULAR PURPOSE ARE EXPRESSLY DISCLAIMED.

Contact Customer Service at 1-866-988-3300

Assembly Instructions

GFS00484A



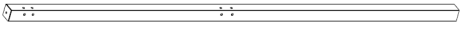






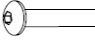

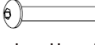



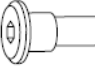








9.8'x9.8' Soft Top Gazebo with Pop Out Cover

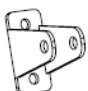


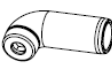



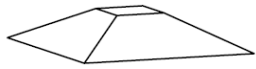
Questions, problems, or missing parts?
Before returning to the store, call Customer Service.

1-866-988-3300
8 a.m. -5 p.m., PST Monday - Friday

Retain this manual for future use.

Parts & Tools

PART	QTY	PICTURE & DESCRIPTION	PART	QTY	PICTURE & DESCRIPTION
A	4	 post leg	R	4	 Round Cloth
B	4	 beam	S	2	 Cover Cloth
C	4	 middle inclined tube	T	56+2	 M6*15mm bolt with washer
D	4	 corner inclined tube	U	26+2	 M6*30mm bolt with washer
E	2	 Shade rod	V	2	 M6*52mm bolt with washer
F	4	 Eaves tube 1	W	4	 Φ8.8*M6*20mm bolt with washer
G	6	 Eaves tube 2	X	4	 Φ8.8*M6*12mm bolt with washer
H	4	 Telescopic support pipe	Y	12+1	 Nut
I	1	 Top connector	Z	16	 ground spike
J1	4	 U-shaped part1	AA	1	 wrench
J2	4	 U-shaped part2	BB	2	 Allen wrench

K	4	 Connector A			
L	4	 Post base			
M	2	 plastic washer			
N	4	 Tube connector	<p>WARNING: To avoid damage of this production, please use either the carton or another soft surface such as carpet as a working surface to prevent product damage during assembly.</p> <p>Need for assembly:</p>  <p>2 people</p>		
O	20+2	 Connection buckle			
P	1	 Small Fabric Cover			
Q	1	 Large Fabric Cover			

WARNING: Please keep children out of the assembly area before assembly.

WARNING: Do not leave the gazebo where there is a risk of high wind, as possible damage will occur to the structure.

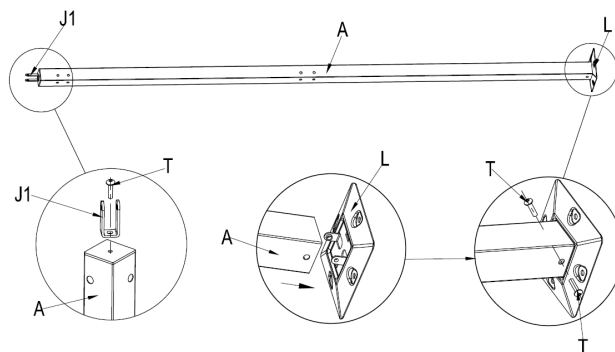
WARNING: Keep all flame and heat sources away from the fabric.

CAUTION: Do not climb on the top of the gazebo. Falling off the gazebo can result in serious injury, possibly even death.

Gazebo Assembly

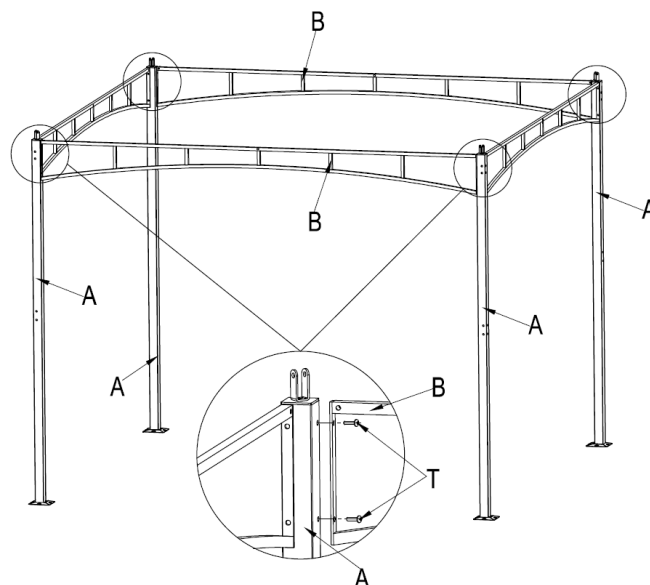
Step 1:

- Attach the U-shaped part 1 (J1) to the post leg (A), secure with M6*15mm bolt with washer (T) using the allen wrench (BB)
- Insert the post base (L) into the post leg (A), secure with M6*15mm bolt with washer (T) using the allen wrench (BB).
- Repeat above steps until 4 U-shaped part 1 (J1) and post base (L) are secured to the post legs (A).



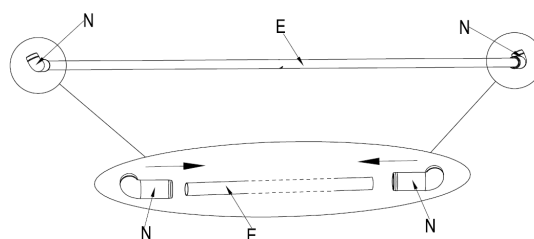
Step 2:

- Attach the beam (B) to the post leg (A), secure with M6*15mm bolt with washer (T) using allen wrench (BB).
- Repeat above step until the 4 beams (B) are secured to the post legs (A).



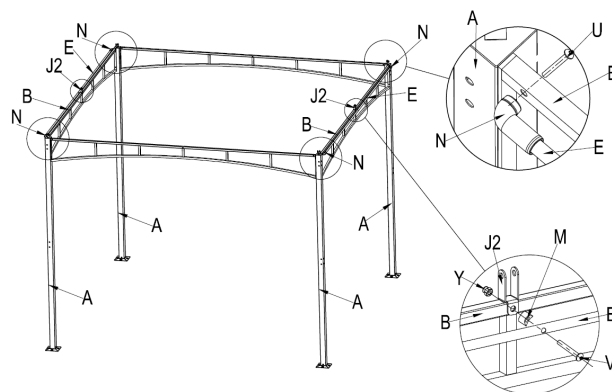
Step 3:

- Attach the tube connector (N) to the shade rod (E).
- Repeat above step until the 8 tube connectors (N) are attached to the shade rod (E).

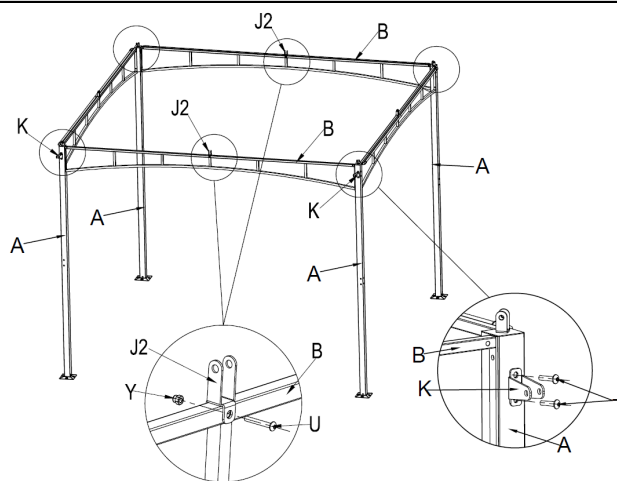


Step 4:

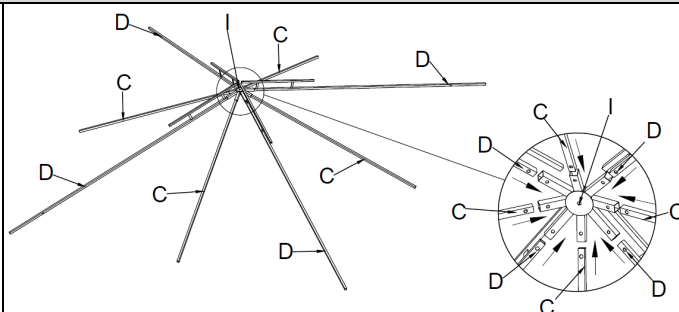
- Attach the tube connector (N) to the beam (B), secure with M6*30mm bolt with washer (U) using the allen wrench (BB).
- Attach the U-shaped part 2 (J2) to the beam (B), secure with M6*52mm bolt with washer (V), plastic washer (M) and nut (Y) using allen wrench (BB)
- Repeat above steps until 4 shade rods (E) and U-shaped part 2 (J2) are secured with the beam (B).

**Step 5:**

- Attach the U-shaped part 2 (J2) to the beam (B), secure with M6*30mm bolt with washer (U) and nut (Y) using the allen wrench (BB).
- Attach (K) to the post leg (A), secure with M6*15mm bolt with washer (T) using allen wrench (BB) and wrench (AA).
- Repeat above steps until 4 tube connector (N) are secured with the beam (B) and U-shaped part 2 (J2) are secured with the post leg (A).

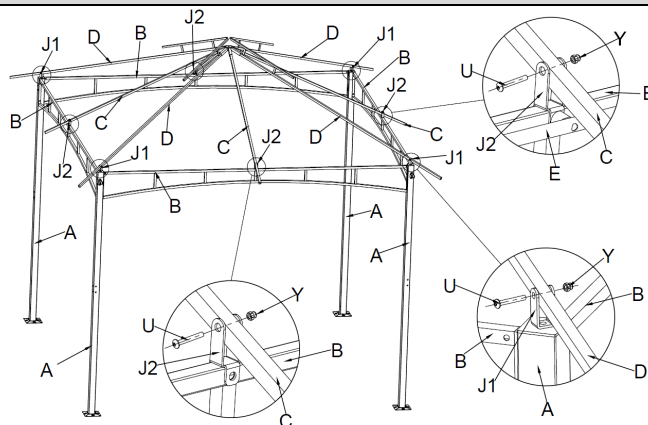
**Step 6:**

- Attach the corner inclined tube (D) and middle inclined tube (C) to the top connector (I).

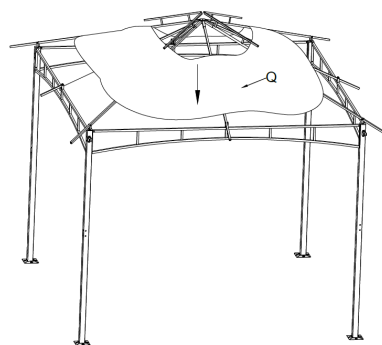


Step 7:

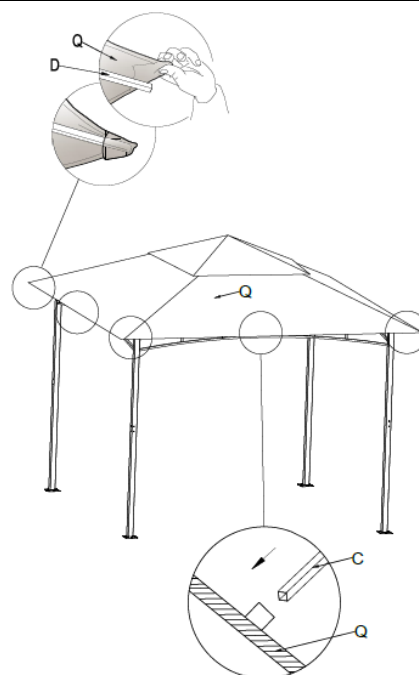
- Attach the middle inclined tube (C) to U-shaped part 2 (J2), secure with M6*30mm bolt with washer (U) and nut (Y) using allen wrench (BB) and wrench (AA).
- Attach the corner inclined tube (D) to U-shaped part 1 (J1), secure with M6*30mm bolt with washer (U) and nut (Y) using allen wrench (BB) and wrench (AA).
- Repeat above steps until the 4 middle inclined tube (C) are secured to the U-shaped part 2 (J2), and the 4 corner inclined tube (D) are secured to the U-shaped part 1 (J1).

**Step 8:**

- Attach the Large Fabric Cover(Q) and small Fabric Cover(P) on the top.

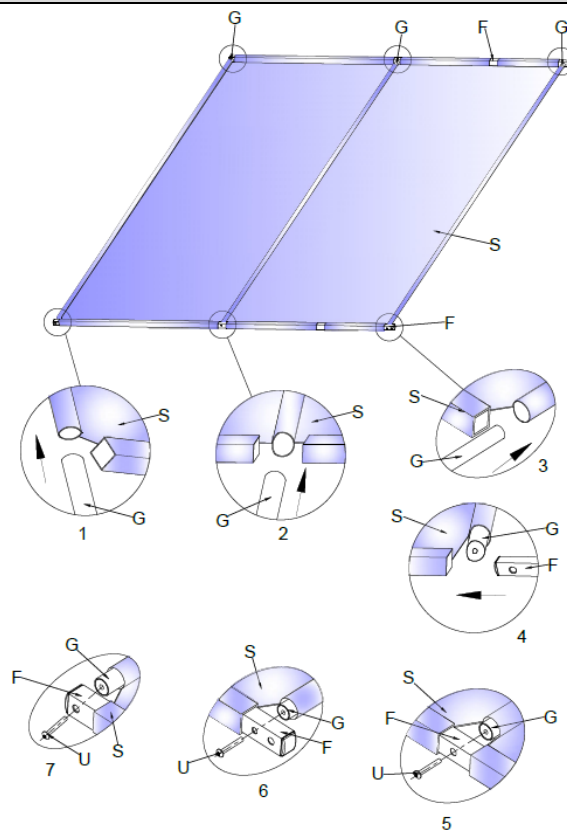
**Step 9:**

- Slip the corner inclined tube (D) and middle inclined tube (C) into the Small Fabric Cover(P) and Large Fabric Cover(Q).

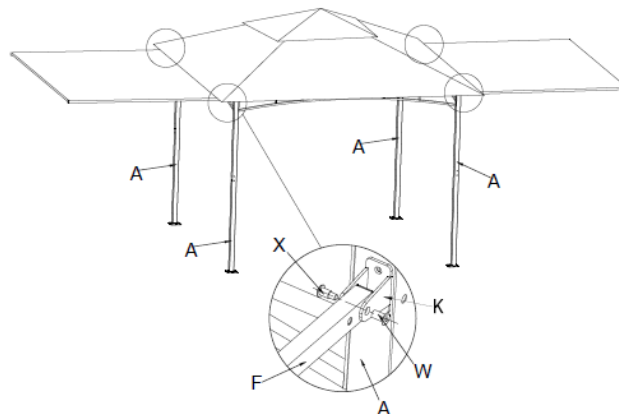


Step 10:

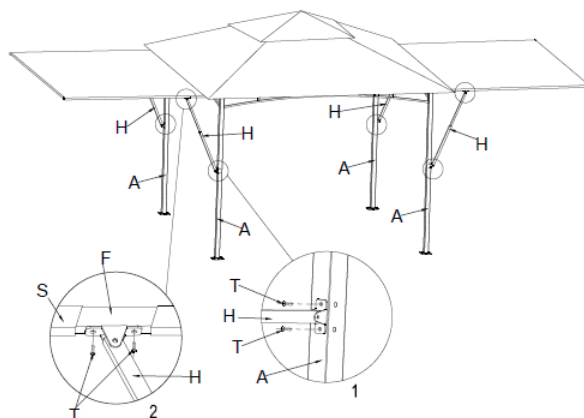
- Place Cover Cloth(S) on a clean floor, then insert Eaves tube 2 (G) into Cover Cloth(S), then insert Eaves tube 1 (F) as shown in the picture, the holes are aligned, use M6*30mm bolt with washer(U) to pass through Eaves tube 1 (F) and lock on Eaves tube 2 (G)

**Step 11:**

- Place the assembled part of STOP10 on Connector A(K), as shown in the figure, secure with $\Phi 8.8 \times M6 \times 12\text{mm}$ bolt with washer(X) and $\Phi 8.8 \times M6 \times 20\text{mm}$ bolt with washer(W) to pass through Eaves tube 1 (F), using allen wrench (BB) and wrench (AA).

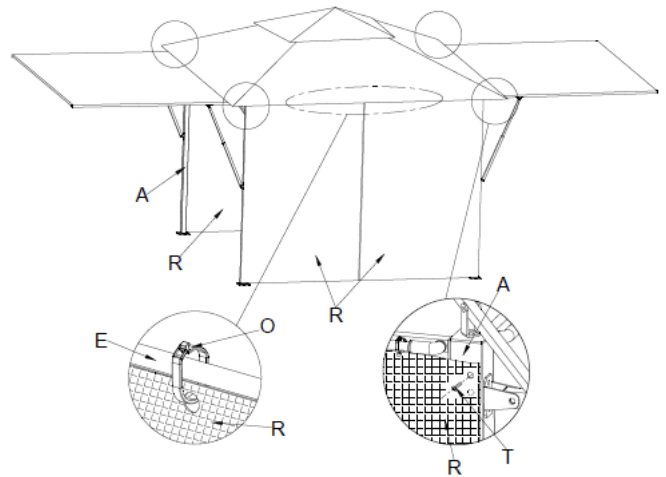
**Step 12:**

- Place one end of the thick pipe of Telescopic support pipe(H) on post leg(A) as shown, secure with M6*15mm bolt with washer(T), using allen wrench (BB) and wrench (AA).
- Place one end of the thin pipe of Telescopic support pipe(H) on Eaves tube 1 (F) as shown, secure with M6*15mm bolt with washer(T), using allen wrench (BB) and wrench (AA).

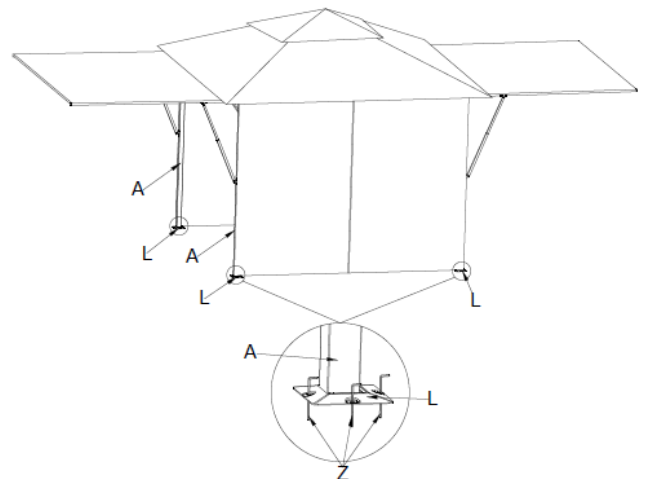


Step 13:

- Unfasten Connection buckle(O) pass one end through Round Cloth(R) , pass through Shade rod (E) and then fasten Connection buckle(O), as shown in the picture, pass through M6*15mm bolt with washer (T) at the corner of Round Cloth(R), align the holes, and lock on post leg(A).

**Step 14:**

- Move the assembled Gazebo to the ground, and then use ground spike(Z) through Post base (L),tapping into the ground

**Step 15:**

- The extension of the Gazebo can be lowered through the expansion function of Telescopic support pipe(H) , close to Post Leg(A), and fasten Eaves tube 1 (F) with the strap above Round Cloth(R).

