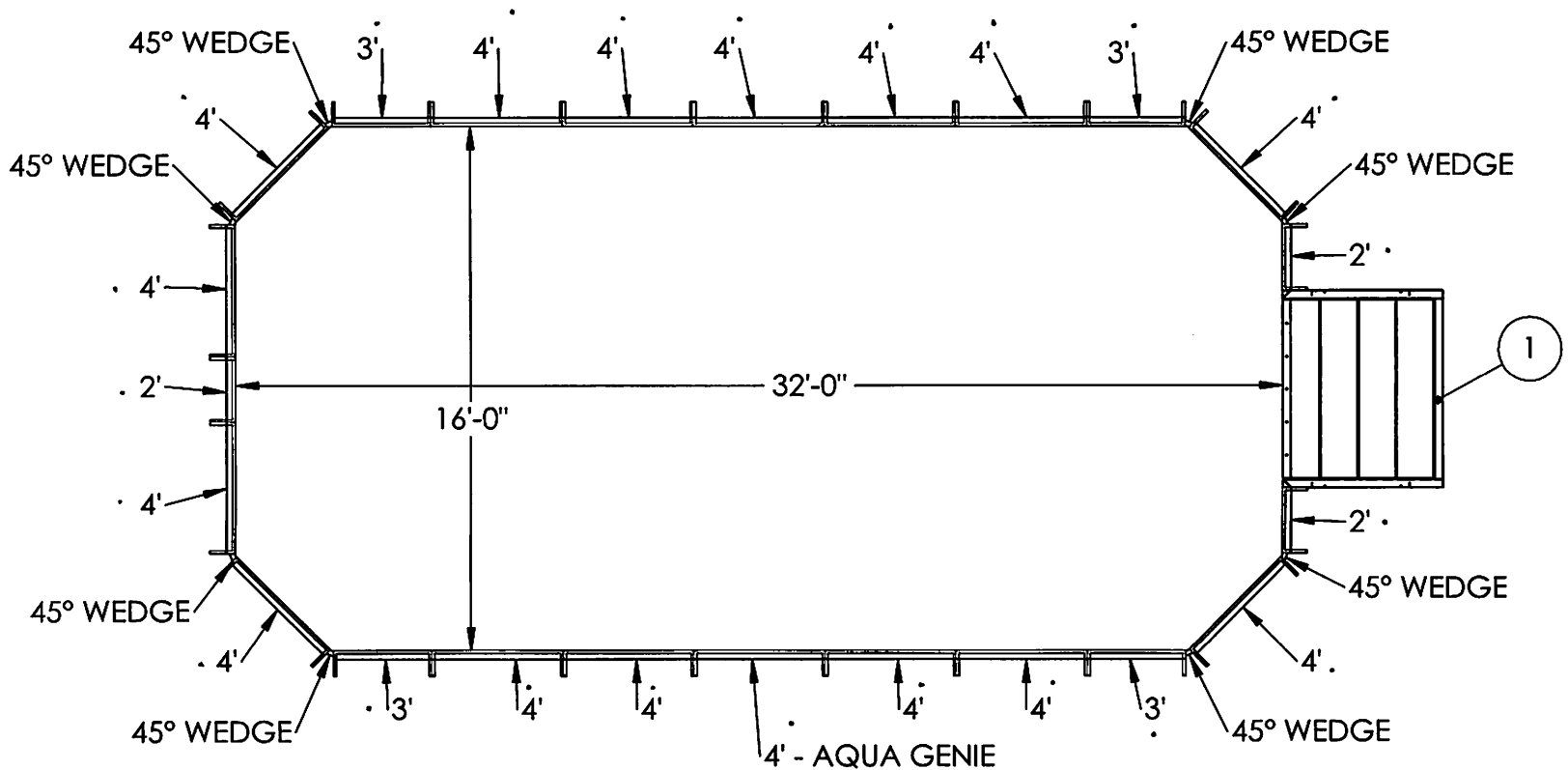


REVISION HISTORY				
REV	DESCRIPTION	DATE	ECO	BY
A	RELEASED FOR QUOTE	2/22/22		RMILLER
B	UPDATED PER TICKET #16581	3/10/22		RMILLER
C	UPDATED PER TICKET #24781	12/16/22		MROGERS
D	UPDATED PER TICKET #24781	12/16/22		MROGERS



**NOTES:**

- THESE ARE FINISHED DIMENSIONS READY FOR THE LINER.
- DIMENSIONS ARE FROM INSIDE POOL PANELS.
- ROPE AND FLOAT ASSEMBLY SHOULD BE INSTALLED IN ACCORDANCE WITH CURRENT ANSI/ASPS/ICC REGULATIONS
- HYDRA LINER TRACK FOR STEPS IS INSTALLED WITH THE BARB FACING THE RISER WALL ON THE STEP.

**EXCAVATION NOTES:**

- ROUGH EXCAVATION SHOULD BE 2" DEEPER IN EACH INSTANCE.
- SOIL TO HAVE MINIMUM BEARING CAPACITY OF 1500 PSF.
- LOCATE TOP OF POOL AT LEAST 6" ABOVE THE SURROUNDING LAND ELEVATION.
- SEE "OVER DIG DETAIL", IN INSTALLATION MANUAL, FOR EXCAVATION AROUND POOL.
- FILL VOIDS UNDER BASE OF PANELS AND TAMP WELL.
- BACK FILL WITH NON-EXPANSIVE MATERIAL.
- FOLLOW ALL CURRENT ANSI / APSP / ICC GUIDELINES FOR RESIDENTIAL POOLS

**IMPORTANT NOTES:**

THIS DOCUMENT IS FOR ILLUSTRATIVE PURPOSES ONLY. THE DEALER OR CONTRACTOR WHO SELLS OR INSTALLS YOUR POOL IS AN INDEPENDENT CONTRACTOR AND IS NOT AN AGENT OF THE MANUFACTURER. THE CONSTRUCTION METHODS ILLUSTRATED HERE ARE SUGGESTIONS AND APPLY ONLY TO NORMAL GROUND CONDITIONS. THERE MAY BE ADDITIONAL PRECAUTIONS AND/OR METHODS OF CONSTRUCTION. PROPER INSTALLATION IS THE RESPONSIBILITY OF THE DEALER/BUILDER/CONTRACTOR.

ITEM	FILE NAME	DESCRIPTION	CUSTOMER DRAWING #	VENDOR PART #	QTY.
1	00041345	ASSEMBLY STEP 5/2 IN WALL 4 TREAD 6 WIDE 90° CORNER	HSS27996		1
2	BOLT PACK	BOLT FLANGE 3/8" X 1" PACK (6)	HPS1916	HPS1916	14
3	5/2 IN BRACE	BRACE BUTTRESS 5/2" 850 SERIES	HPS21183C	00025245	32
4	5/2 IN PANEL STRAIGHT	PANEL 2 LONG 850 SERIES	HPS1102P	00027518	3
5	5/2 IN PANEL STRAIGHT	PANEL 3 LONG 850 SERIES	HPS1103P	00025340	4
6	5/2 IN PANEL STRAIGHT	PANEL 4 LONG 850 SERIES	HPS1104P	00025308	15
7	5/2 IN PANEL STRAIGHT	PANEL 4 LONG AQUA GENIE 850 SERIES	HPS1104AG	00027234	1
8	STAKE	STAKE 1/2 GA	HPS1104S	00002484	32
9	5/2 IN GRECIAN WEDGE	WEDGE 5/2 IN GRECIAN	HPS245	00026351	8

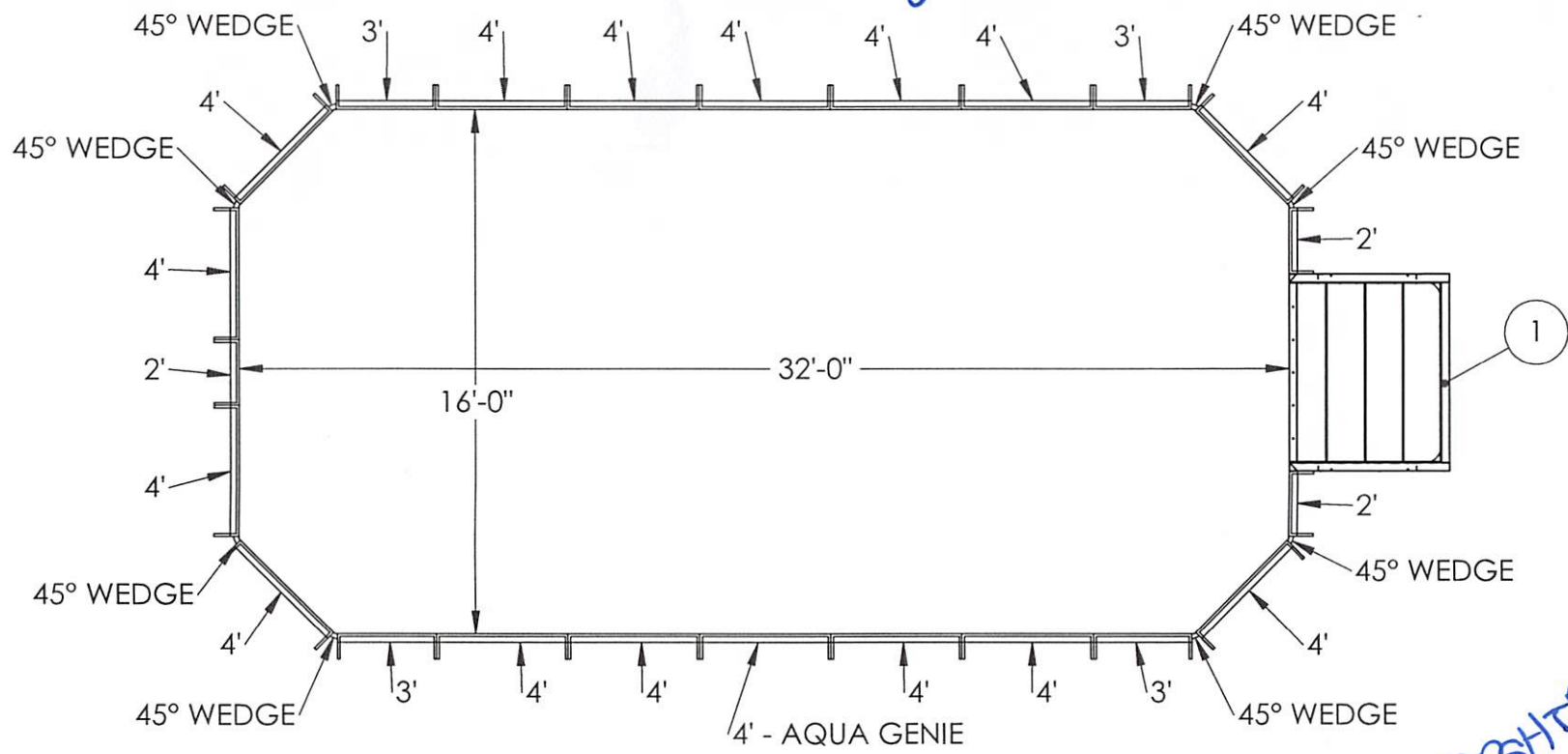
ENGINEERING DRAWING NUMBER: <b>00041345</b>	WEIGHT: lbs VOLUME: Inch <sup>3</sup> COLOR: HEAT TREAT: FINISH: TEXTURE:	<b>UNLESS OTHERWISE SPECIFIED</b> DIMENSIONS ARE IN INCHES TOLERANCES DECIMALS: X ± .1 XX ± .01 XXX ± .001 XXXX ± .0005 ANGULAR: X ± 0.5 THIRD ANGLE PROJECTION 	DESIGNED BY: <b>RMILLER</b> DETAILED BY: <b>RMILLER</b> LAST REVISED BY: <b>mrogers</b> MATERIAL:	CREATION DATE: <b>10/10/2019</b> DETAILED DATE: <b>12/20/2022</b> LAST REVISED DATE: <b>12/16/2022</b>	<b>SAMSON STEEL</b> TITLE: <b>LAYOUT, 16' X 32', GRECIAN, HSS27996, 1- AQUA GENIE, 850 SERIES</b> PART NUMBER: <b>00041345</b>	SCALE: <b>1:100</b> SHEET: <b>1 OF 2</b> SIZE: <b>A</b>
--	--	---	---	---	---	--



Ticket to fix  
Braces: 874731

REVISION HISTORY				
REV.	DESCRIPTION	DATE	ECO	BY
A	RELEASED FOR QUOTE	2/22/2022		RMILLER
B	UPDATED PER TICKET 475561	3/12/22		RMILLER
C	UPDATED PER TICKET 8937407	12/16/2022		MROGERS

MROGERS NUMBER: MADE FROM: CHECK IN DATE/TIME: Friday, December 16, 2022 4:35:57 PM



*X HPSHT RISEC*

- NOTES:**
- THESE ARE FINISHED DIMENSIONS READY FOR THE LINER.
  - DIMENSIONS ARE FROM INSIDE POOL PANELS.
  - ROPE AND FLOAT ASSEMBLY SHOULD BE INSTALLED IN ACCORDANCE WITH CURRENT ANSI/APSP/ICC REGULATIONS
  - HYDRA LINER TRACK FOR STEPS IS INSTALLED WITH THE BARB FACING THE RISER WALL ON THE STEP.

- EXCAVATION NOTES:**
- ROUGH EXCAVATION SHOULD BE 2" DEEPER IN EACH INSTANCE.
  - SOIL TO HAVE MINIMUM BEARING CAPACITY OF 1500 PSF.
  - LOCATE TOP OF POOL AT LEAST 6" ABOVE THE SURROUNDING LAND ELEVATION.
  - SEE "OVER DIG DETAIL", IN INSTALLATION MANUAL, FOR EXCAVATION AROUND POOL.
  - FILL VOIDS UNDER BASE OF PANELS AND TAMP WELL.
  - BACK FILL WITH NON-EXPANSIVE MATERIAL.
  - FOLLOW ALL CURRENT ANSI / APSP / ICC GUIDELINES FOR RESIDENTIAL POOLS

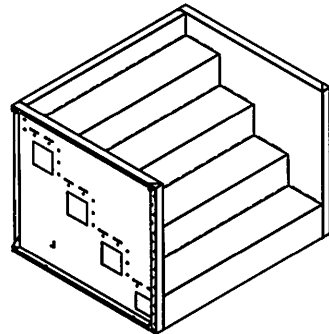
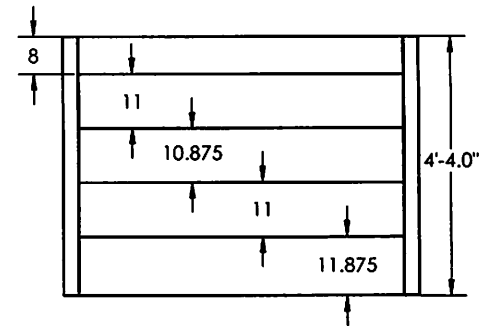
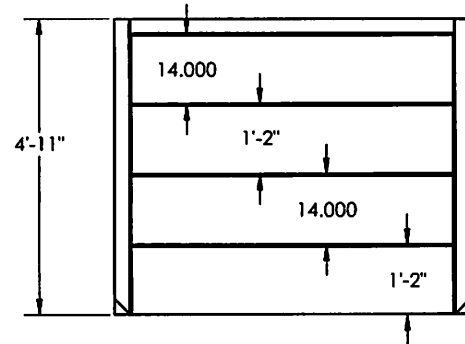
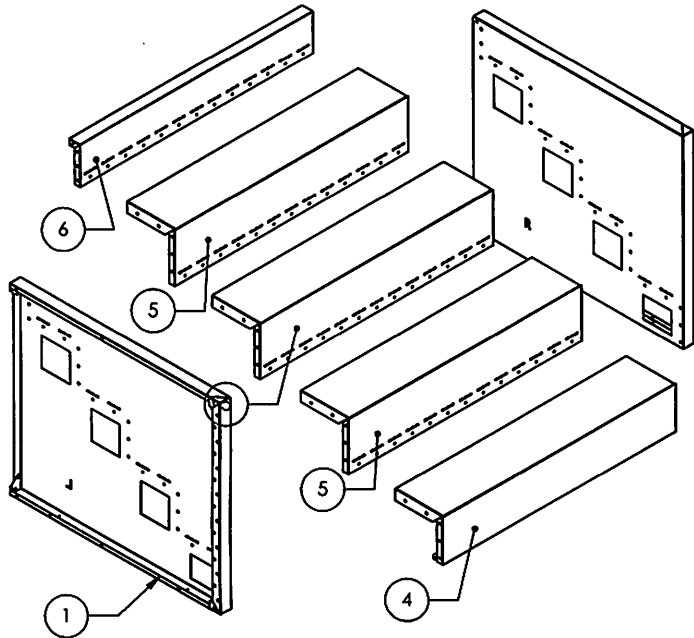
**IMPORTANT NOTES:**

THIS DOCUMENT IS FOR ILLUSTRATIVE PURPOSES ONLY. THE DEALER OR CONTRACTOR WHO SELLS OR INSTALLS YOUR POOL IS AN INDEPENDENT CONTRACTOR AND IS NOT AN AGENT OF THE MANUFACTURER. THE CONSTRUCTION METHODS ILLUSTRATED HERE ARE SUGGESTIONS AND APPLY ONLY TO NORMAL GROUND CONDITIONS. THERE MAY BE ADDITIONAL PRECAUTIONS AND/OR METHODS OF CONSTRUCTION. PROPER INSTALLATION IS THE RESPONSIBILITY OF THE DEALER/BUILDER/CONTRACTOR.

ITEM	FILE NAME	DESCRIPTION	CUSTOMER DRAWING #	VENDOR PART #	QTY.
1	00027996	ASSEMBLY STEP, 5/2 IN WALL, 4 TREAD, 6" WIDE, 90° CORNER	HSSH27996	HPS1916	1
2	BOLT PACK	BOLT, FLANGE, 3/8-16 X 1", PACK (50)	HPS1916	HPS1916	13
3	5/2 IN BRACE	BRACE, BUTTRESS, 5/2" 825 SERIES	HPSGTRBRC	00025945	32
4	5/2 IN PANEL, STRAIGHT	PANEL, 2' LONG, 850 SERIES	HPSH102P	00027618	3
5	5/2 IN PANEL, STRAIGHT	PANEL, 4' LONG, 850 SERIES	HPSH103P	00025940	4
6	5/2 IN PANEL, STRAIGHT	PANEL, 4' LONG, 850 SERIES	HPSH104P	00025308	15
7	5/2 IN PANEL, STRAIGHT	PANEL, 4' LONG, AQUA GENIE, 850 SERIES	HPSH104AG	00027234	1
8	STAKE	STAKE, 14 GA	HPSS14AG	00003484	32
9	5/2 IN GRECIAN WEDGE	WEDGE, 5/2 IN GRECIAN	HPSH45	00028361	8

ENGINEERING DRAWING NUMBER: <b>00041345</b>	WEIGHT: lbs	UNLESS OTHERWISE SPECIFIED DIMENSIONS ARE IN INCHES TOLERANCES DECIMALS: X ± .1 XX ± .01 XXX ± .001 XXXX ± .0005  ANGULAR: X ± 0.5 THIRD ANGLE PROJECTION	DESIGNED BY: <b>RMILLER</b>	CREATION DATE: <b>10/10/2019</b>	<b>SAMSON STEEL</b>
	VOLUME: Inch <sup>3</sup>		DETAILED BY: <b>RMILLER</b>	DETAILED DATE: <b>12/16/2022</b>	
	COLOR:		LAST REVISED BY: <b>mrogers</b>	LAST REVISED DATE: <b>12/16/2022</b>	
	HEAT TREAT:		MATERIAL:	TITLE: <b>LAYOUT, 16' X 32', GRECIAN, HSSF27996, 1- AQUA GENIE, 850 SERIES</b>	
	FINISH:			PART NUMBER: <b>00041345</b>	
TEXTURE:		SCALE: <b>1:100</b>	SIZE: <b>A</b>		
		SHEET: <b>1 OF 2</b>			

REVISION HISTORY					
NO.	DATE	BY	DESCRIPTION	APP.	SCALE
1					



**NOTES:**

1. THESE ARE FINISHED DIMENSIONS READY FOR THE LINER.
2. DIMENSIONS ARE FROM INSIDE POOL PANELS.
3. ROPE AND FLOAT ASSEMBLY SHOULD BE INSTALLED IN ACCORDANCE WITH CURRENT AQUASPRAC REGULATIONS.
4. HYDRA LINER TRACK FOR STEPS IS INSTALLED WITH THE BARB FACING THE RISER WALL ON THE STEP.

**EXCAVATION NOTES:**

5. ROUGH EXCAVATION SHOULD BE 2" DEEPER IN EACH INSTANCE.
6. SOIL TO HAVE MINIMUM BEARING CAPACITY OF 1500 PSF.
7. LOCATE TOP OF POOL AT LEAST 6" ABOVE THE SURROUNDING LAND ELEVATION.
8. SEE "OVER DIG DETAIL" FOR EXCAVATION AROUND POOL.
9. FILL VOIDS UNDER BASE OF PANELS AND TAMP WELL.
10. BACK FILL WITH NON-EXPANSIVE MATERIAL.
11. FOLLOW ALL CURRENT ANSI/APSP/ICC GUIDELINES FOR RESIDENTIAL POOLS.

**IMPORTANT NOTES:**

THIS DOCUMENT IS FOR ILLUSTRATIVE PURPOSES ONLY. THE DEALER OR CONTRACTOR WHO SELLS OR INSTALLS YOUR POOL IS AN INDEPENDENT CONTRACTOR AND IS NOT AN AGENT OF THE MANUFACTURER. THE CONSTRUCTION METHODS ILLUSTRATED HERE ARE SUGGESTIONS AND APPLY ONLY TO NORMAL GROUND CONDITIONS. THERE MAY BE ADDITIONAL PRECAUTIONS AND/OR METHODS OF CONSTRUCTION. PROPER INSTALLATION IS THE RESPONSIBILITY OF THE DEALER/BUILDER/CONTRACTOR.

IF 90 DEGREE SQUARE CORNERS ARE REQUIRED  
LEAVE OUT THE 00027999 RADIUS FILLERS

ITEM	FILE NAME	DESCRIPTION	CUSTOMER PART #	VENDOR PART #	QTY
1	00027998	ASSEMBLY PANEL, STEP, 52 IN WALL, 4 TREAD, LEFT SIDE	00027998		1
2	00027997	ASSEMBLY PANEL, STEP, 52 IN WALL, 4 TREAD, RIGHT SIDE	00027997		1
3	00027999	BOLT, FLANGE, 3/8 IN X 1 1/2 IN, PACK (50)	HP-31318	HP-31318	3
4	00028000	TREAD, STEP, 52 IN BOTTOM, 65.75" WIDE	00028000	00028000	1
5	00028001	TREAD, STEP, 52 IN TOP, 65.75" WIDE	00028001	00028001	3
6	00028002	TREAD, STEP, 52 IN TOP, 65.75" WIDE	00028002	00028002	1

PART NUMBER <b>00041345</b>	FINISH: _____ COLOR: _____ HEAT TREAT: _____ TEXTURE: _____	UNLESS OTHERWISE SPECIFIED DIMENSIONS ARE IN INCHES TOLERANCES: X ± .1 X ± .01 XXX ± .001 XXXX ± .0005	DRAWN BY: RMILLER DATE: 10/10/2019 CHECKED BY: RMILLER DATE: 12/16/2022	MATERIAL: _____ THRD ANGLE PROJECTION:	<b>SAMSON STEEL</b>
	TITLE: LAYOUT, 18' X 32', GREEKIAN, HSSP27996, 1- AQUA SERIES, 850 SERIES			PART NUMBER: <b>00041345</b>	SCALE: 1/8" = 1'-0" SIZE: 2 OF 2
	REV: 12/16/2022, DATE: JUL 27, 2015, DOCUMENT ID: CP7730, ANSIB				
	C:\P\000000\pools\Pool Layout\00041345				