

Danby®

Do the right thing. *Designer*

OWNER'S MANUAL
MANUEL DU PROPRIÉTAIRE
MANUAL DEL PROPIETARIO

MICROWAVE
Owner's Manual.....1 - 12

MICRO ONDE
Manuel du propriétaire.....13 - 24

MICROONDA
Manual del propietario.....25 - 36

MODEL • MODÈLE • MODELO

DDMW1125BBS

Welcome

Welcome to the Danby family. We are proud of our quality products and we believe in dependable service. We suggest that you read this owner's manual before plugging in your new appliance as it contains important operation information, safety information, troubleshooting and maintenance tips to ensure the reliability and longevity of your appliance.

Visit www.Danby.com to access self service tools, FAQs and much more. For additional assistance call **1-800-263-2629**.

Note the information below; you will need this information to obtain service under warranty. You must provide the original purchase receipt to validate your warranty and receive service.

Model Number: _____

Serial Number: _____

Date of Purchase: _____

Need Help?

Before you call for service, here are a few things you can do to help us serve you better.

Read this owner's manual:

It contains instructions to help you use and maintain your appliance properly.

If you receive a damaged appliance:

Immediately contact the retailer or builder that sold you the appliance.

Save time and money:

Check the troubleshooting section at the end of this manual before calling. This section will help you solve common problems that may occur.



1-800-26- Danby
(1-800-263-2629)



IMPORTANT SAFETY INSTRUCTIONS

READ AND FOLLOW ALL SAFETY INSTRUCTIONS

When using electrical appliances basic safety precautions should be followed, including the following:

WARNING - To reduce the risk of burns, electric shock, fire, injury to persons or exposure to excessive microwave energy:

1. Read all instructions before using the appliance.
2. Read and follow the specific "PRECAUTIONS TO AVOID POSSIBLE EXPOSURE TO EXCESSIVE MICROWAVE ENERGY" found on page 3.
3. This appliance must be grounded. Connect only to properly grounded outlet. See "GROUNDING INSTRUCTIONS" found on page 3.
4. Install or locate this appliance only in accordance with the provided installation instructions.
5. Some products such as whole eggs and sealed containers - for example, closed glass jars - are able to explode and should not be heated in this oven.
6. Use this appliance only for its intended use as described in this manual. Do not use corrosive chemicals or vapors in this appliance. This type of oven is specifically designed to heat, cook or dry food. It is not designed for industrial or laboratory use.
7. As with any appliance, close supervision is necessary when used by children.
8. Do not operate this appliance if it has a damaged cord or plug, if it is not working properly or if it has been damaged or dropped.
9. This appliance should be serviced only by qualified service personnel. Contact nearest authorized service facility for examination, repair, or adjustment.
10. Do not cover or block any openings on the appliance.
11. Do not store this appliance outdoors. Do not use this product near water - for example, near a kitchen sink, in a wet basement, near a swimming pool or similar location.
12. Do not immerse cord or plug in water.
13. Keep cord away from heated surface.
14. Do not let cord hang over edge of table or counter.
15. Either
 - 1) When cleaning surfaces of door and oven they come together on closing the door, use only mild, nonabrasive soaps, or detergent applied with a sponge or soft cloth, or
 - 2) See door surface cleaning instructions on page 10.
16. To reduce the risk of fire in the oven cavity:
 - 1) Do not overcook food. Carefully attend appliance when paper, plastic, or other combustible materials are placed inside the oven to facilitate cooking.
 - 2) Remove wire twist -ties from paper or plastic bag before placing bag in oven.
 - 3) If material inside of the oven ignites, keep oven door closed, turn oven off, and disconnect the power cord, or shut off power at the fuse or circuit breaker panel.
 - 4) Do not use the cavity for storage purposes. Do not leave paper products, cooking utensils, or food in the cavity when not in use.

Liquids, such as water, coffee, or tea are able to be overheated beyond the boiling point without appearing to be boiling. Visible bubbling or boiling when the container is removed from the microwave is not always present. **THIS COULD RESULT IN VERY HOT LIQUIDS SUDDENLY BOILING OVER WHEN THE CONTAINER IS DISTURBED OR A UTENSIL IS INSERTED INTO THE LIQUID.**

SAVE THESE INSTRUCTIONS!



IMPORTANT SAFETY INSTRUCTIONS READ AND FOLLOW ALL SAFETY INSTRUCTIONS

PRECAUTIONS TO AVOID POSSIBLE EXPOSURE TO EXCESSIVE MICROWAVE ENERGY

- (a) Do not attempt to operate this oven with the door open since open-door operation can result in harmful exposure to microwave energy. It is important not to defeat or tamper with the safety interlocks.**
- (b) Do not place any object between the oven front face and the door or allow soil or cleaner residue to accumulate on sealing surfaces.**
- (c) Do not operate the oven if it is damaged. It is particularly important that the oven door close properly and that there is no damage to the: (1) door (bent), (2) hinges and latches (broken or loosened), (3) door seals and sealing surfaces.**
- (d) The oven should not be adjusted or repaired by anyone except properly qualified service personnel.**

GROUNDING INSTRUCTIONS

This appliance must be grounded. In the event of an electrical short circuit, grounding reduces the risk of electrical shock by providing an escape wire for the electrical current.

This appliance is equipped with a cord that has a grounding wire with a grounding plug. The power cord must be plugged into an outlet that is properly grounded. If the outlet is a standard 2-prong wall outlet, it is your responsibility to have it replaced with a properly grounded 3-prong wall outlet. The serial rating plate indicates the voltage and frequency the appliance is designed for.

WARNING - Improper use of the grounding plug can result in a risk of electric shock. Consult a qualified electrician or service agent if the grounding instructions are not completely understood, or if doubt exists as to whether the appliance is properly grounded.

Do not connect your appliance to extension cords or together with another appliance in the same wall outlet. Do not splice the power cord. Do not under any circumstances cut or remove the third ground prong from the power cord.

If the power supply cord is damaged, it must be replaced by the manufacturer, its service agent or similar qualified person in order to avoid hazard.

Have a qualified electrician install a grounded outlet near the appliance if the power cord is too short.

A short power supply cord is provided to reduce the risks resulting from becoming entangled in or tripping over a longer cord.

SAVE THESE INSTRUCTIONS!



IMPORTANT SAFETY INSTRUCTIONS READ AND FOLLOW ALL SAFETY INSTRUCTIONS

RADIO FREQUENCY INTERFERENCE

This equipment generates and uses ISM frequencies and if not installed and used properly in strict accordance with the manufacturer's instructions, it may cause interference to radio and television reception. It has been type-tested and found to comply with limits for ISM Equipment pursuant to Part 18 of FCC Rules, which are designed to provide reasonable protection against such interference in a residential installation.

However, there is no guarantee that interference will not occur in particular installations. If this equipment does cause interference to radio or television reception, which can be determined by turning the equipment off and on, the interference can be corrected by one or more of the following methods:

- Reorient the receiving antenna of radio or television.
- Move the microwave oven away from the receiver.
- Plug the microwave into a different outlet so that microwave and receiver are on different branch circuits.

The manufacturer is not responsible for any radio or TV interference caused by unauthorized modification of this appliance. It is the responsibility of the user to correct such interference.

Oven capacity:	31 L 1.1 cu. ft.
Turntable diameter:	ø315 mm ø12.4 in
External dimensions:	51.3 x 40.1 x 30.7 cm 20.2 x 15.7 x 12.1 in
Net weight:	14.5 kg 32 lbs
Rated voltage:	120 V ~ 60 Hz

SAFETY - SUPERHEATED LIQUID

Liquids are able to be overheated beyond the boiling point without appearing to be boiling due to the surface tension of the liquid. Visible bubbling will not always be present when the liquid is removed from the appliance. This could result in very hot liquids suddenly boiling over when a utensil or other item such as a tea bag is inserted into the liquid.

To reduce the risk of injury:

- Do not overheat liquids. Do not heat any liquid for more than 2 minutes per cup.
- Stir liquids before and halfway through heating.
- Do not use straight-sided containers with narrow necks as this can cause a build up of steam.
- Superheated liquid can begin to spontaneously boil when removed from the microwave. After heating, allow the liquid to stand in the microwave for 30 seconds before removing.
- Use extreme care when inserting a utensil or other item into hot liquids.

The contents of milk bottles and baby food jars should be stirred or shaken and the temperature checked before serving in order to avoid burns.

Do not defrost frozen beverages, especially carbonated beverages, in this appliance as they could explode.

Hot foods and steam can cause burns. Be careful when opening any container that has been heated in the appliance. Direct the opening away from hands and face to avoid burns.

SAFETY - ARCING

Arcing refers to sparks inside the microwave while it is in operation. Arcing is caused by:

- Metal or foil inside the appliance.
- Recycled paper towels being used inside the appliance, as these can contain small pieces of metal.

If arcing is present, stop operation and remove any metal or paper towels from the appliance.

SAVE THESE INSTRUCTIONS!

INSTALLATION INSTRUCTIONS

INSTALLATION

- Remove all packing materials from the inside and outside of the appliance. Do not remove the cardboard mica sheet covering the magnetron.
- Check the appliance for damage before using, such as a misaligned or bent door, damaged door seals, broken or loose door hinges or latches, or dents inside the cavity or on the door. If there is any damage to the appliance, do not use it, return it to its point of purchase or contact consumer care.
- The appliance must be placed on a flat, stable surface that is able to hold its weight and the heaviest food likely to be placed in the appliance.
- Do not use this appliance where heat, moisture or high humidity are generated.
- Do not clean this appliance with or use near combustible materials.
- Allow 30 cm (12 inches) of space above the appliance, 7.5 cm (3 inches) at the back of the appliance and 7.5 cm (3 inches) on both sides for proper air flow around the appliance. Do not block any ventilation openings on the appliance.
- Do not operate the appliance without the glass tray, roller support and shaft in their correct positions.
- **WARNING:** Do not install the microwave over a range cooktop or other heat producing appliance. If installed near or above a heat source the microwave could be damaged and the warranty would be void.

OPERATING INSTRUCTIONS

COOKING TECHNIQUES

To achieve the best results when cooking in this appliance, follow the suggestions below.

STIRRING

Stir foods while cooking to distribute heat evenly. Food at the outside of the dish absorbs more energy and will heat more quickly so stir from the outside of the dish toward the center.

ARRANGEMENT

Arrange unevenly shaped foods thicker, meatier parts toward the outside of the turntable so they receive more heat. To prevent overcooking, place delicate items toward the center of the turntable.

SHIELDING

Delicate foods can be shielded with narrow strips of aluminum foil to prevent overcooking. Use only small amounts of foil as this can cause arcing and damage to the appliance.

TURNING

Turn food over midway through cooking to expose all parts to the microwave energy. This is important with large items and meat.

STANDING

Foods cooked in a microwave build up internal heat and continue to cook for a few minutes after heating stops. Let foods stand to complete cooking, especially meats and liquids. All liquids should be allowed to stand for a few minutes after cooking and should be shaken or stirred before consuming.

ADDING MOISTURE

Microwave energy is attracted to water molecules. Food that is uneven in moisture content should be covered and allowed to stand after cooking to allow the heat to disperse evenly. Add a small amount of water to dry food to help it cook.

OPERATING INSTRUCTIONS

COOKING UTENSILS GUIDE

Certain utensils are inappropriate for use in a microwave. See below for more information on which utensils are recommended, which should only have limited use and which are not recommended.

RECOMMENDED

Microwave Browning Dish: Used to brown the exterior of small food items. Follow the directions provided with the browning dish.

Microwavable Plastic Wrap: Used to retain steam. Leave a small opening to avoid a build up of steam. Do not place directly on food.

Glass and Ceramic Bowls and Dishes: Use for heating or cooking.

Paper Plates and Cups: Use for short term heating at low temperatures. Do not use recycled paper as they can contain metal and could ignite.

Paper Towels and Napkins: Use for short term heating and covering. They can absorb excess moisture and prevent splattering. Do not use recycled paper towels as they can contain metal and could ignite.

Wax Paper: Use as a cover to prevent splattering.

Thermometers: Only use those that are labeled "microwave safe" and follow all directions. Check the food in several places. Conventional thermometers can be used once the food has been removed from the microwave.

LIMITED USE

Aluminum Foil: Use narrow strips to prevent overcooking of exposed areas. Using too much foil can cause arcing and damage the appliance. Keep a distance of at least 1 inch (2.6 cm) between the foil and the inside of the appliance.

Ceramic, Porcelain and Stoneware: Only use if they are labeled "microwave safe".

Plastic: Only use if labeled "microwave safe".

NOT RECOMMENDED

Glass Jars and Bottles: Regular glass is too thin to be used in a microwave. It can shatter and cause damage or injury.

Paper Bags: These are a fire hazard and could ignite. The only exception is popcorn bags, which are designed for microwave use.

Styrofoam Plates and Cups: These can melt and leave an unhealthy residue on food.

Plastic Storage and Food Containers: These can melt and ignite.

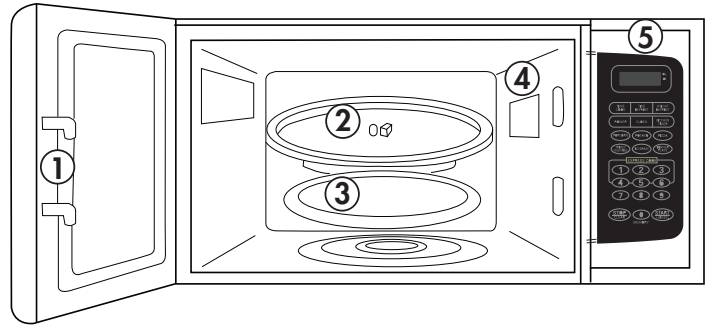
Metal Utensils: These can cause arcing and damage to the appliance. Remove all metal before operation.

Note: To check if a dish is safe for use in the microwave, place the empty dish in the appliance and microwave on high for 30 seconds. If the dish becomes very hot, it should not be used.

OPERATING INSTRUCTIONS

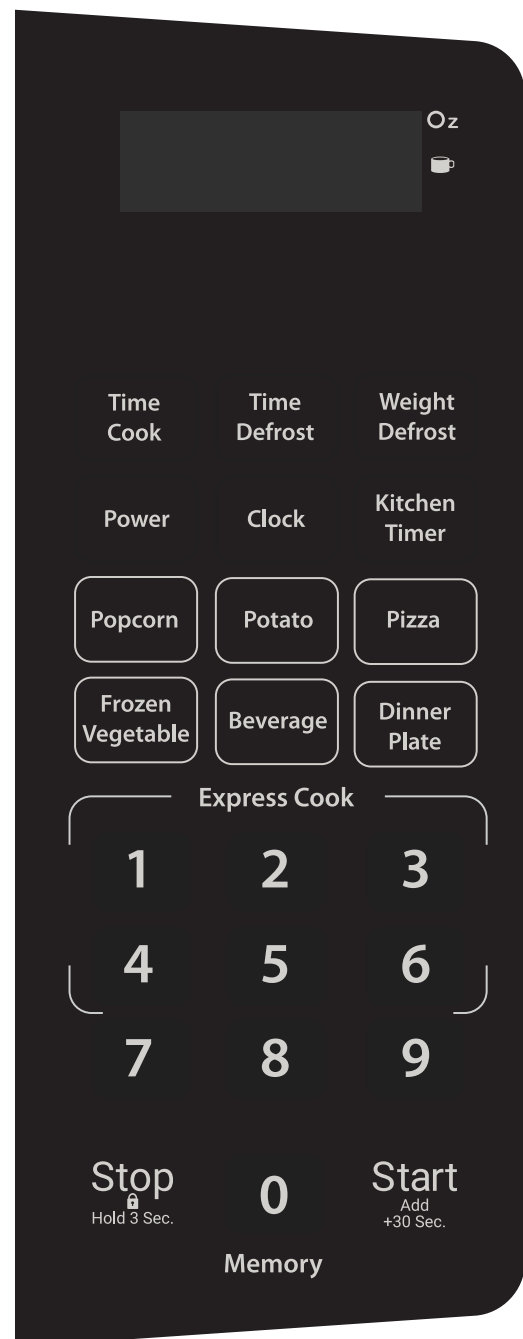
FEATURES

1. Door Lock System
2. Glass Tray
3. Roller Ring
4. Mica Sheet (Do Not Remove)
5. Control Panel



CONTROL PANEL

1. **Display:** Shows cooking time, power level and clock time.
2. **Time Cook:** Used to set the desired cook time.
3. **Time Defrost:** Used to set the defrost function based on time.
4. **Weight Defrost:** Used to set the defrost function based on weight.
5. **Power Button:** Used to select the power level.
6. **Clock Button:** Used to set the current time.
7. **Kitchen Timer Button:** Used to set the timer function.
8. **Auto Cook Menus:** Instant settings to cook popular foods such as popcorn, potato, pizza, frozen vegetable, beverage and dinner plate.
9. **Express Cook Buttons:** Used to set express cook options.
10. **Number Pad:** Used to set time or amounts.
11. **Stop Button:** Used to pause or clear a cooking program. Press and hold for 3 seconds to engage the child / control panel lock.
12. **0/Memory Button:** Used to set the memory function.
13. **Start/+30SEC Button:** Used to start a cooking program or add 30 seconds to a cooking program.



OPERATING INSTRUCTIONS

FIRST TIME USE

When the appliance is plugged in for the first time, the display will show "00:00". Use the number pad to enter the current time and then press the clock button to confirm

When setting the cook timer, the appliance will return to standby mode if there is no input within 25 seconds.

During operation:

- Press the **Start/+30SEC** button to begin operation.
- Press the **Stop** button to cancel the cooking program.
- The appliance will beep five times at the end of a cooking program.

SETTING THE CLOCK

The clock can be only be set as a 12 hour clock.

To set the current time:

1. Press the **Clock** button.
2. Use the number pad to enter the current time.
3. Press the **Clock** button to confirm.

During operation, press the **Clock** button to see the current time.

KITCHEN TIMER

To set the timer function:

1. Press the **Kitchen Timer** button.
2. Use the number pad to enter the desired time to run the timer. The maximum time is 99 minutes and 99 seconds.
3. Press the **Start/+30SEC** button to begin timer operation.

Note: Programs cannot be set while the timer is running.

MICROWAVE COOKING

1. Press the **Time Cook** button. The display will show "00:00".
2. Use the number pad to enter the desired cooking time. The maximum time is 99 minutes and 99 seconds.
3. Press the **Power** button to choose a power level. The default power level is 100%. The display will show "PL10". Use the number pad to enter the desired power level if 100% is not required. Consult the chart at the bottom of the page for information on power levels.
4. Press the **Start/+30SEC** button to begin operation.

Note: If "PLO" is selected, the appliance fan will run with no cooking function. This power level can be used to remove odors from the oven.

Note: During cooking, if the chosen power level is not sufficient, press the power button. The current power level will flash for three seconds. Use the number pad to choose a new power level and operation will continue in the new power level.

Two Stage Cooking

Some recipes require different stages of cooking at different temperatures. To set a two stage cook program:

1. Press the **Time Cook** button and use the number pad to enter the desired cooking time for the first stage.
2. Press the **Power** button and use the number pad to enter the desired power level for the first stage.
3. Press the **Time Cook** button and use the number pad to enter the desired cooking time for the second stage.
4. Press the **Power** button and use the number pad to enter the desired power level for the second stage.
5. Press the **Start/+30sec** button to begin operation.

Number Pad	0	1	2	3	4	5	6	7	8	9
Cooking Power	0%	10%	20%	30%	40%	50%	60%	70%	80%	90%
Display	PL0	PL1	PL2	PL3	PL4	PL5	PL6	PL7	PL8	PL9

OPERATING INSTRUCTIONS

AUTO COOK

The auto cook buttons can be used to set automatic cooking functions for the below food types.

POPCORN

1. Press the **Popcorn** button repeatedly to cycle through the options of "1.75", "3.0" and "3.5". These numbers refer to the size of the popcorn bag in ounces.
2. Press the **Start/+30SEC** button to begin operation.

POTATO

1. Press the **Potato** button repeatedly to cycle through the options of "1", "2" and "3". These numbers refer to the size of the portion in ounces. 1 is 8 ounces, 2 is 16 ounces and 3 is 24 ounces.
2. Press the **Start/+30SEC** button to begin operation.

PIZZA

1. Press the **Pizza** button repeatedly to cycle through the options of "4.0", "8.0" and "14.0". These numbers refer to the size of the portion in ounces.
2. Press the **Start/+30SEC** button to begin operation.

FROZEN VEGETABLE

1. Press the **Frozen Vegetable** button repeatedly to cycle through the options of "4.0", "8.0" and "16.0". These numbers refer to the size of the portion in ounces.
2. Press the **Start/+30SEC** button to begin operation.

BEVERAGE

1. Press the **Beverage** button repeatedly to cycle through the options of "1", "2" and "3". These numbers refer to the number of cups.
2. Press the **Start/+30SEC** button to begin operation.

DINNER PLATE

1. Press the **Dinner Plate** button repeatedly to cycle through the options of "9.0", "12.0" and "18.0". These numbers refer to the size of the portion in ounces.
2. Press the **Start/+30SEC** button to begin operation.

EXPRESS COOK

When the appliance is not in operation, press the number pad from 1 to 6 and the appliance will run between 1 and 6 minutes at 100% cooking power.

ADD 30 SECONDS

When the appliance is not in operation, pressing the **+30SEC** button will run the appliance for 30 seconds at 100% power level. This button can be pressed multiple times, each press will add a further 30 seconds to the cooking time. The maximum cooking time is 99 minutes and 99 seconds.

WEIGHT DEFROST

The defrosting time and power level are adjusted automatically once the weight is entered.

1. Press the **Weight Defrost** button. The display will show "dEF1".
2. Use the number pad to enter the weight of the food that will be defrosted between 4 ~ 100 oz.
3. Press the **Start/+30SEC** button to confirm.

During operation the appliance will pause and beep to indicate that the food should be turned over or stirred. Press the **Start/+30SEC** button to resume operation.

TIME DEFROST

1. Press the **Time Defrost** button. The display will show "dEF2".
2. Use the number pad to enter the desired defrosting time. The maximum time is 99 minutes and 99 seconds.
3. The default power level is 3, 30%. The display will show "PL3".
4. To change the power level, press the **Power** button and then press the number pad for the desired power level.
5. Press the **Start/+30SEC** button to confirm.

OPERATING INSTRUCTIONS

MEMORY FUNCTION

The memory function allows the programming of cooking times and powers that can be recalled and used again and again with minimal input. Three memory programs can be set at one time, they are labeled 1, 2 and 3.

To set Memory 1:

1. Press the **0/Memory** button once. The number 1 will display.
2. Press the **Time Cook** button and then use the number pad to enter the desired cook time.
3. Press the **Power** button once. The power level will default to 100%. "PL10" will display. To change the power level, use the number pad to enter the desired power level.
4. Press the **Start/+30SEC** button to save the setting.
5. To use the setting in future, press the **0/Memory** button once and when the number 1 is displayed, press the **Start/+30SEC** button to begin operation.

To set Memory 2 or 3, press the Memory button two or three times until the number 2 or 3 are displayed and then follow the steps above.

Note: If the power is lost or the appliance is unplugged, the memory settings will need to be reprogrammed.

SETTING THE CHILD LOCK

To set the child lock press and hold the **Stop** button for 3 seconds. The appliance will beep to indicate that the child lock is activated. While locked, the appliance cannot be used.

To cancel the child lock, press and hold the **Stop** button for 3 seconds. The appliance will beep to indicate that the child lock has been deactivated.

CARE AND MAINTENANCE

CLEANING

Turn off and unplug the appliance before performing any cleaning.

The inside of the appliance should be cleaned with a warm, damp cloth and mild detergents. Do not allow food splatters to build up on the inside of the appliance as this can affect the efficiency of the microwave and if sufficiently dirty, can ignite and cause fire.

The outside of the appliance should be cleaned with a warm, damp cloth. To avoid damage to internal components, do not allow any water to drip into the ventilation openings.

Clean the door and window on both sides, the door seals and the adjacent parts frequently with a damp cloth to remove any spills or splatters. Do not use abrasive cleaners.

Do not allow the control panel to become wet. If necessary, clean the control panel with a damp cloth and then wipe dry.

The glass tray can be removed and cleaned in warm water and mild detergent or can be placed in a dishwasher.

The roller ring and oven floor should be cleaned regularly to avoid excessive noise or spilling. The roller ring can be cleaned in warm water and mild detergent or can be placed in a dishwasher. Ensure that the roller ring and glass tray are replaced in the proper position to avoid noise or spilling.

MAINTENANCE

To remove odors from the microwave:

1. Combine a cup of water with the juice and skin of one lemon in a microwavable bowl.
2. Microwave on full power for 5 minutes.
3. Wipe the inside of the appliance and glass tray and roller ring thoroughly with a warm, damp cloth.

TROUBLESHOOTING

Danby Consumer Care: 1-800-263-2629

Hours of operation:

Monday to Thursday 8:30 am - 6:00 pm Eastern Standard Time

Friday 8:30 am - 4:00 pm Eastern Standard Time

Information in this manual is subject to change without notice.

PROBLEM	POSSIBLE CAUSE
No power	<ul style="list-style-type: none">• A fuse may be blown or the circuit breaker tripped• Plug not fully inserted into the wall outlet
Arcing or sparking during operation	<ul style="list-style-type: none">• Metallic items were left in the appliance during operation• The appliance is being operated while empty• Spilled food has built up inside the appliance or on the mica sheet
Unevenly cooked food	<ul style="list-style-type: none">• Food was not completely defrosted before cooking• Cooking time or power level were insufficient• Food was not turned or stirred during cooking
Overcooked food	<ul style="list-style-type: none">• The power level or cooking time were too high
Undercooked food	<ul style="list-style-type: none">• Food was not completely defrosted before cooking• Cooking time or power level were insufficient• Food was not turned or stirred during cooking• Ventilation openings are blocked
Poor Defrosting	<ul style="list-style-type: none">• Defrosting time or power level were insufficient• Food was not turned or stirred during defrosting

MICA SHEET

Inside the appliance there is a cardboard mica sheet protecting the magnetron. Do not remove this from the appliance as exposing the magnetron to food splatters can cause arcing or fire. If it becomes dirty, the mica sheet can be cleaned with a warm cloth.

DISPOSAL

This product should not be treated as ordinary household waste, it should be transported to the appropriate collection point for the recycling of electrical components. For information on local waste collection points, contact your local waste disposal agency or government office.

LIMITED "CARRY IN" WARRANTY

This quality product is warranted to be free from manufacturer's defects in material and workmanship, provided that the unit is used under the normal operating conditions intended by the manufacturer.

This warranty is available only to the person to whom the unit was originally sold by Danby Products Limited (Canada) or Danby Products Inc. (U.S.A.) (hereafter "Danby") or by an authorized distributor of Danby, and is non-transferable.

TERMS OF WARRANTY

Plastic parts are warranted for thirty (30) days from the date of purchase, with no extensions provided.

First 18 months During the first **eighteen (18) months**, any functional parts of this product found to be defective, will be repaired or replaced, at warrantor's option, at no charge to the original purchaser.

To obtain service Contact the dealer where the unit was purchased, or contact the nearest authorized Danby service depot, where service must be performed by a qualified service technician. If service is performed on the unit by anyone other than an authorized service depot, all obligations of Danby under this warranty shall be void.

It is the responsibility of the purchaser to transport the appliance to the nearest authorized service depot.

Transportation charges to and from the service location are not protected by this warranty and are the responsibility of the purchaser.

Nothing within this warranty shall imply that Danby will be responsible or liable for any spoilage or damage to food or other contents of this appliance, whether due to any defect of the appliance, or its use, whether proper or improper.

EXCLUSIONS

Save as herein provided, by Danby, there are no other warranties, conditions, representations or guarantees, express or implied, made or intended by Danby or its authorized distributors and all other warranties, conditions, representations or guarantees, including any warranties, conditions, representations or guarantees under any Sale of Goods Act or like legislation or statute is hereby expressly excluded. Save as herein provided, **Danby shall not be responsible for any damages to persons or property, including the unit itself, howsoever caused or any consequential damages arising from the malfunction of the unit and by the purchase of the unit, the purchaser does hereby agree to indemnify and hold harmless Danby from any claim for damages to persons or property caused by the unit.**

GENERAL PROVISIONS

No warranty or insurance herein contained or set out shall apply when damage or repair is caused by any of the following:

- 1) Power failure.
- 2) Damage in transit or when moving the appliance.
- 3) Improper power supply such as low voltage, defective house wiring or inadequate fuses.
- 4) Accident, alteration, abuse or misuse of the appliance such as inadequate air circulation in the room or abnormal operating conditions (ie. extremely high or low room temperature).
- 5) Use for commercial or industrial purposes (ie. If the appliance is not installed in a domestic residence).
- 6) Fire, water damage, theft, war, riot, hostility, acts of God such as hurricanes, floods etc.
- 7) Service calls resulting in customer education.
- 8) Improper Installation (ie. Building-in of a free standing appliance or using an appliance outdoors that is not approved for outdoor application, including but not limited to: garages, patios, porches or anywhere that is not properly insulated or climate controlled).

Proof of purchase date will be required for warranty claims; retain bills of sale. In the event that warranty service is required, present the proof of purchase to our authorized service depot.

Warranty Service
Carry In

Danby Products Limited
PO Box 1778, Guelph, Ontario, Canada N1H 6Z9
Telephone: (519) 837-0920 FAX: (519) 837-0449

1-800-263-2629
04/17

Danby Products Inc.
PO Box 669, Findlay, Ohio, U.S.A. 45840
Telephone: (419) 425-8627 FAX: (419) 425-8629

Bienvenue

Bienvenue à la famille Danby. Nous sommes fiers de la qualité de nos produits et nous croyons en le service fiable. Nous vous suggérons de lire ce manuel d'utilisation avant de brancher votre nouvel appareil car il contient des informations importantes sur l'utilisation, la sécurité, le dépannage et la maintenance, afin d'assurer la fiabilité et la longévité de votre appareil.

Visitez www.Danby.com pour accéder aux outils d'autoservice, aux FAQ et bien plus encore. Pour obtenir de l'aide supplémentaire, composez **1-800-263-2629**.

Notez les informations ci-dessous; Vous aurez besoin de cette information pour obtenir un service sous garantie.
Vous devez fournir le reçu d'achat original pour valider votre garantie et recevoir le service.

Numéro de modèle: _____

Numéro de serie: _____

Date d'achat: _____

Besoin d'assistance?

Avant d'appeler pour service, voici quelques choses que vous pouvez faire pour nous aider à mieux vous servir.

Lire ce manuel du propriétaire:

Il contient des instructions pour vous aider à utiliser et à maintenir votre appareil correctement.

Si vous recevez un appareil endommagé:

Contactez immédiatement le revendeur ou l'entrepreneur qui vous a vendu l'appareil.

Gagnez du temps et de l'argent:

Avant d'appeler pour service, consultez la section de dépannage à la fin de ce manuel. Cette section vous aidera à résoudre les problèmes courants pouvant survenir.



1-800-26- Danby
(1-800-263-2629)



CONSIGNES DE SÉCURITÉ IMPORTANTES LIRE ET SUIVRE TOUTES LES INSTRUCTIONS DE SÉCURITÉ

Lors de l'utilisation d'appareils électriques, les précautions de sécurité de base doivent être suivies, y compris les suivantes:

ATTENTION - Pour réduire les risques de brûlures, de chocs électriques, d'incendie, de blessures corporelles ou d'exposition à une énergie hyperfréquence excessive:

1. Lisez toutes les instructions avant d'utiliser l'appareil.
2. Lisez et suivez les "PRÉCAUTIONS POUR ÉVITER L'EXPOSITION POSSIBLE À L'ÉNERGIE MICRO-ONDES EXCESSIVES" qui se trouvent à la page 16.
3. Cet appareil doit être mis à la terre. Connectez seulement à une prise correctement mise à la terre. Voir la section "INSTRUCTIONS DE MISE À LA TERRE" à la page 16.
4. Installez ou localisez cet appareil uniquement conformément aux instructions d'installation fournies.
5. Certains produits tels que des œufs entiers et des récipients scellés - par exemple, des bocaux en verre fermés - peuvent exploser et ne doivent pas être chauffés dans ce four.
6. Utilisez cet appareil uniquement pour l'utilisation prévue, comme décrit dans ce manuel. N'utilisez pas de produits chimiques corrosifs contenant des vapeurs dans cet appareil. Ce type de four est spécialement conçu pour chauffer, cuire ou sécher des aliments. Il n'est pas conçu pour un usage industriel ou de laboratoire.
7. Comme pour tout appareil, une surveillance étroite est nécessaire lorsqu'il est utilisé par des enfants.
8. N'utilisez pas cet appareil si son cordon ou sa fiche est endommagé, s'il ne fonctionne pas correctement ou s'il a été endommagé ou tombé.
9. Cet appareil ne doit être entretenu que par du personnel qualifié. Contacter le centre de service agréé le plus proche pour un examen, une réparation ou un réglage.
10. Ne pas couvrir ou bloquer les ouvertures de l'appareil.
11. Ne rangez pas cet appareil à l'extérieur. N'utilisez pas ce produit près de l'eau, par exemple près d'un évier de cuisine, dans un sous-sol humide, à proximité d'une piscine ou d'un emplacement similaire.
12. Ne plongez pas le cordon d'alimentation et ne le branchez pas dans de l'eau.
13. Garder le cordon loin de la surface chauffée.
14. Ne laissez pas le cordon pendre au bord de la table ou du comptoir.
15. Non plus
 - 1) Lorsque vous nettoyez les surfaces de la porte et du four, fermez la porte en utilisant uniquement des savons doux et non abrasifs ou du détergent appliqué avec une éponge ou un chiffon doux.
 - 2) Voir les instructions de nettoyage de la surface de la porte en page 24.
16. Pour réduire le risque d'incendie dans la cavité du four:
 - 1) Ne pas trop cuire la nourriture. Assister avec attention à l'appareil lorsque du papier, du plastique ou d'autres matériaux combustibles sont placés à l'intérieur du four pour faciliter la cuisson.
 - 2) Enlevez les torsades de fil du papier ou du sac en plastique avant de placer le sac dans le four.
 - 3) Si le matériel à l'intérieur du four s'enflamme, gardez la porte du four fermée, éteignez le four, débranchez le cordon d'alimentation ou coupez le courant au niveau du fusible ou du panneau du disjoncteur.
 - 4) N'utilisez pas la cavité pour le stockage. Ne laissez pas de produits en papier, d'ustensiles de cuisine ou de nourriture dans la cavité lorsqu'ils ne sont pas utilisés.

Les liquides tels que l'eau, le café ou le thé peuvent surchauffer au-delà du point d'ébullition sans avoir l'air de bouillir. Un bullage visible ou une ébullition lorsque le récipient est retiré du micro-ondes n'est pas toujours présent. CELA POURRAIT ENTRAÎNER DES LIQUIDES TRÈS CHAUDS QUI BOUILLONNENT ABONDAMMENT LORSQUE LE RÉCIPIENT EST TROUÉ OU QU'UN USTENSILE EST INSÉRÉ DANS LE LIQUIDE.

GARDEZ CES INSTRUCTIONS!



CONSIGNES DE SÉCURITÉ IMPORTANTES LIRE ET SUIVRE TOUTES LES INSTRUCTIONS DE SÉCURITÉ

PRÉCAUTIONS POUR ÉVITER L'EXPOSITION POSSIBLE À L'ÉNERGIE MICRO-ONDES EXCESSIVE

(a) **N'essayez pas d'utiliser ce four avec la porte ouverte car le fonctionnement à porte ouverte peut entraîner une exposition dangereuse à l'énergie des micro-ondes. Il est important de ne pas vaincre ou altérer les verrouillages de sécurité.**

(b) **Ne placez aucun objet entre la face avant du four et la porte, et ne laissez pas de résidus de saleté ou de produit nettoyant s'accumuler sur les surfaces d'étanchéité.**

(c) **N'utilisez pas le four s'il est endommagé. Il est particulièrement important que la porte du four se ferme correctement et que la porte (courbée) ne soit pas abîmée; 2) les charnières et loquets (cassés ou desserrés); 3) les joints de porte et les surfaces d'étanchéité.**

(d) **Le four ne doit pas être ajusté ou réparé par quiconque sauf un personnel de service qualifié.**

INSTRUCTIONS DE MISE À LA TERRE

Cet appareil doit être mis à la terre. En cas de court-circuit électrique, la mise à la terre réduit le risque de choc électrique en fournissant un fil d'échappement pour le courant électrique.

Cet appareil est équipé d'un cordon qui a un fil de mise à la terre avec une fiche de mise à la terre. Le cordon d'alimentation doit être branché sur une prise correctement mise à la terre. Si la prise est une prise murale standard à 2 broches, il est de votre responsabilité de la faire remplacer par une prise murale à 3 broches correctement mise à la terre. La plaque signalétique en série indique la tension et la fréquence auxquelles l'appareil est conçu.

AVERTISSEMENT - Une utilisation incorrecte de la prise de terre peut entraîner un risque de choc électrique. Consultez un électricien qualifié ou un agent d'entretien si les instructions de mise à la terre ne sont pas complètement comprises ou s'il existe un doute quant à la mise à la terre de l'appareil.

Ne connectez pas votre appareil aux rallonges électriques ou à un autre appareil dans la même prise murale. Ne pas épisser le cordon d'alimentation. Ne coupez et ne retirez en aucun cas la troisième broche de masse du cordon d'alimentation.

Si le cordon d'alimentation est endommagé, il doit être remplacé par le fabricant, son agent de service ou une personne qualifiée similaire afin d'éviter tout risque.

Demandez à un électricien qualifié d'installer une prise mise à la terre près de l'appareil si le cordon d'alimentation est trop court.

Un cordon d'alimentation court est fourni afin de réduire les risques résultant de l'enchevêtrement ou de l'enchevêtrement d'un cordon plus long.

GARDEZ CES INSTRUCTIONS!



CONSIGNES DE SÉCURITÉ IMPORTANTES LIRE ET SUIVRE TOUTES LES INSTRUCTIONS DE SÉCURITÉ

INTERFÉRENCE AUX FRÉQUENCES RADIO ÉLECTRIQUES

Cet appareil génère et utilise des fréquences radio ISM et, s'il n'est pas installé et utilisé correctement en stricte conformité avec les instructions du fabricant, il peut causer des interférences au niveau de la réception des appareils de radio et de télévision. Il a été testé et s'est avéré conforme aux limites relatives aux équipements ISM, telles que définies à la partie 18 des règles de la FCC, qui fournissent les balises d'une protection raisonnable contre ces interférences dans une installation résidentielle.

Cependant, rien ne garantit que des interférences ne se produiront pas dans des installations particulières. Si cet appareil produit des interférences avec la réception de la radio ou de la télévision, ce qui peut être vérifié en éteignant et en allumant l'appareil, l'interférence peut être corrigée en appliquant l'une ou plusieurs des méthodes suivantes :

- Réorienter l'antenne de réception de la radio ou de la télévision.
- Déplacer le four à micro-ondes loin du récepteur.
- Brancher le four à micro-ondes dans une prise différente, afin que les micro-ondes et le récepteur se trouvent sur des circuits de dérivation différents.

Le fabricant n'est pas responsable des interférences radio ou TV causées par une modification non autorisée de cet appareil. Il incombe à l'utilisateur de corriger ces interférences.

Capacité du four:	31 L 1.1 cu. ft.
Diamètre du plateau tournant:	ø315 mm ø12.4 in
Dimensions extérieures:	51.3 x 40.1 x 30.7 cm 20.2 x 15.7 x 12.1 in
Poids net:	14.5 kg 32 lbs
Tension nominale:	120 V ~ 60 Hz

SÉCURITÉ - LIQUIDE SURCHAUFFÉ

Les liquides peuvent être surchauffés au-delà du point d'ébullition sans que cela soit apparent, en raison de la tension superficielle du liquide. Le bouillonnement visible occasionné par l'ébullition n'est donc pas toujours présent, lorsque le liquide est retiré de l'appareil. Une brusque ébullition pourrait donc se déclencher, lorsqu'un ustensile ou un autre objet, tel un sachet de thé, est inséré dans le liquide surchauffé.

Pour réduire le risque de blessure :

- Ne pas surchauffer les liquides. Ne pas chauffer aucun liquide pendant plus de 2 minutes par tasse.
- Incorporer les liquides avant ou à mi-chemin du chauffage.
- N'utilisez pas de récipients à surfaces rectilignes et à cols étroits, car cela peut entraîner une accumulation de vapeur.
- Le liquide surchauffé peut commencer à entrer en ébullition spontanément, lorsqu'il est retiré du four à micro-ondes. Après le chauffage, laissez le liquide reposer dans le four à micro-ondes pendant 30 secondes.
- Soyez particulièrement prudent lorsque vous insérez un ustensile ou tout autre objet dans des liquides chauds.

Le contenu des bouteilles de lait et des pots d'aliments pour bébés doit être secoué ou remué et la température doit être vérifiée avant l'utilisation, afin d'éviter les brûlures.

Ne pas décongeler les boissons congelées, en particulier les boissons gazeuses, dans cet appareil car elles pourraient exploser.

Les aliments chauds et la vapeur peuvent causer des brûlures. Faites attention lorsque vous ouvrez un récipient qui a été chauffé dans l'appareil. Diriger l'ouverture des mains et du visage pour éviter les brûlures.

SÉCURITÉ - PRODUCTION D'ÉTINCELLES

La production d'étincelles à l'intérieur du four à micro-ondes pendant qu'il fonctionne est causée par:

- Métal ou feuille d'aluminium à l'intérieur de l'appareil.
- Essuie-tout recyclés, contenant de petits morceaux de métal, utilisés à l'intérieur de l'appareil.

Lorsque vous constatez la présence d'étincelles, arrêtez l'appareil et retirez-en les objets métalliques ou les essuie-tout.

GARDEZ CES INSTRUCTIONS!

INSTRUCTIONS D'INSTALLATION

INSTALLATION

- Retirez tous les matériaux d'emballage de l'intérieur et de l'extérieur de l'appareil. Ne retirez pas la feuille de mica en carton couvrant le magnétron.
- Vérifiez si l'appareil est endommagé avant de l'utiliser, comme une porte mal alignée ou pliée, des joints d'étanchéité endommagés, des charnières ou des verrous ou des verrous de la porte défectueux ou défectueux, ou des bosses à l'intérieur de la cavité ou sur la porte. En cas de dommages à l'appareil, ne l'utilisez pas, le retourner à son point de vente ou contactez le service consommateur.
- L'appareil doit être placé sur une surface plane et stable qui peut contenir son poids et la nourriture la plus lourde susceptible d'être placée dans l'appareil.
- N'utilisez pas cet appareil lorsque de la chaleur, de l'humidité ou de l'humidité élevée sont générés.
- Ne pas nettoyer cet appareil avec ou à proximité de matériaux combustibles.
- Prévoyez un espace de 30 cm (12 pouces) au-dessus de l'appareil, 7,5 cm (3 pouces) à l'arrière de l'appareil et 7,5 cm (3 pouces) des deux côtés pour permettre à l'air de circuler correctement autour de l'appareil. Ne bloquez pas les orifices de ventilation de l'appareil.
- N'utilisez pas l'appareil sans le plateau en verre, le support de rouleau et l'arbre dans la position correcte.
- **AVERTISSEMENT:** N'installez pas le micro-ondes sur une table de cuisson ou un autre appareil produisant de la chaleur. S'il est installé à proximité ou au-dessus d'une source de chaleur, le micro-ondes pourrait être endommagé et la garantie annulée.

CONSIGNES D'UTILISATION

TECHNIQUES DE CUISSON

Pour obtenir les meilleurs résultats lors de la cuisson dans cet appareil, suivez les suggestions ci-dessous.

MÉLANGER

Mélanger les aliments pendant la cuisson pour répartir uniformément la chaleur. La nourriture à l'extérieur du plat absorbe plus d'énergie et chauffe plus rapidement, puis remuez de l'extérieur du plat vers le centre.

ARRANGEMENT

Disposez des aliments de forme inégale plus épais, des pièces plus légères vers l'extérieur du plateau tournant afin qu'ils reçoivent plus de chaleur. Pour éviter de trop cuire, placez des objets délicats vers le centre du plateau tournant.

COUVRANT

Les aliments délicats peuvent être protégés avec des bandes étroites de papier d'aluminium pour éviter la surcouverte. N'utilisez que de petites quantités de papier car cela peut provoquer des arcs et des dommages à l'appareil.

TOURNANT

Faire passer les aliments au milieu de la cuisson pour exposer toutes les pièces à l'énergie des micro-ondes. Ceci est important pour les gros objets et la viande.

REPOS

Les aliments cuits dans un micro-ondes augmentent la chaleur interne et continuent à cuire quelques minutes après le chauffage. Laissez reposer les aliments pour terminer la cuisson, en particulier les viandes et les liquides. Tous les liquides doivent être laissés au repos pendant quelques minutes après la cuisson et doivent être secoués ou agités avant de consommer.

AJOUTER L'HUMIDITÉ

L'énergie des micro-ondes est attirée par les molécules d'eau. Les aliments qui sont inégaux dans la teneur en humidité doivent être couverts et laisser reposer après la cuisson pour permettre à la chaleur de se disperser uniformément. Ajoutez une petite quantité d'eau à la nourriture sèche pour l'aider à cuire.

CONSIGNES D'UTILISATION

GUIDE DES USTENSILES DE CUISINE

Certains ustensiles sont inappropriés pour une utilisation dans un micro-ondes. Voir ci-dessous pour plus d'informations sur les ustensiles recommandés, qui ne devraient avoir qu'une utilisation limitée et qui ne sont pas recommandés.

RECOMMANDÉ

Plat de brunissement à micro-ondes: Utilisé pour brunir l'extérieur des petits produits alimentaires. Suivez les instructions fournies avec le plat brunissant.

Enveloppement en plastique à micro-ondes: Utilisé pour retenir la vapeur. Laissez une petite ouverture pour éviter une accumulation de vapeur. Ne placez pas directement sur les aliments.

Bols et plats en verre et en céramique: Utiliser pour le chauffage ou la cuisson.

Plaques et tasses en papier: Utilisé pour un chauffage à court terme à basse température. Ne pas utiliser de papier recyclé car ils peuvent contenir du métal et pourraient s'enflammer.

Serviettes en papier et serviettes de table: Utilisé pour un chauffage et un revêtement à court terme. Ils peuvent absorber l'excès d'humidité et éviter les éclaboussures. N'utilisez pas de papier recyclé car ils peuvent contenir du métal et pourraient s'enflammer.

Papier ciré: Utiliser comme couverture pour éviter les éclaboussures.

Thermomètres: Utilisez uniquement ceux qui sont étiquetés «Va au four à micro-ondes» et suivez toutes les instructions. Vérifiez la nourriture à plusieurs endroits. Les thermomètres conventionnels peuvent être utilisés une fois que les aliments ont été retirés du micro-ondes.

USAGE LIMITÉ

Feuille d'aluminium: Utilisez des bandes étroites pour éviter la surcoupe des zones exposées. L'utilisation de trop de papier d'aluminium peut provoquer des arcs et endommager l'appareil. Gardez une distance d'au moins 1 pouce (2,6 cm) entre la feuille et l'intérieur de l'appareil.

Céramique, porcelaine et les pots de grès: Utilisez uniquement si elles sont étiquetées «Va au four à micro-ondes».

Plastic: Utilisez uniquement si elles sont étiquetées «Va au four à micro-ondes».

NON RECOMMANDÉ

Bocaux et bouteilles en verre: Le verre régulier est trop fin pour être utilisé dans un micro-ondes. Il peut se briser et causer des dommages ou des blessures.

Sacs en papier: Ce sont des risques d'incendie et peuvent s'enflammer. La seule exception concerne les sacs à popcorn, conçus pour l'utilisation des micro-ondes.

Plaques et tasses en styromousse: Ceux-ci peuvent fondre et laisser un résidu malsain sur les aliments.

Récipients en plastique et pots de nourriture: Ils peuvent fondre et s'enflammer.

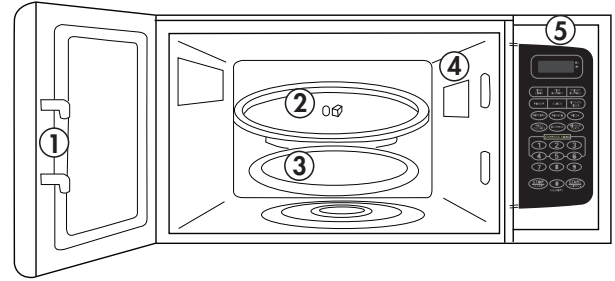
Ustensiles en métal: Cela peut provoquer des arcs et des dommages à l'appareil. Retirez tout le métal avant l'opération.

Remarque: Pour vérifier si un plat est sécurisé pour une utilisation au four micro-ondes, placez le plat vide dans l'appareil et micro-ondes en haut pendant 30 secondes. Si le plat devient très chaud, il ne doit pas être utilisé.

CONSIGNES D'UTILISATION

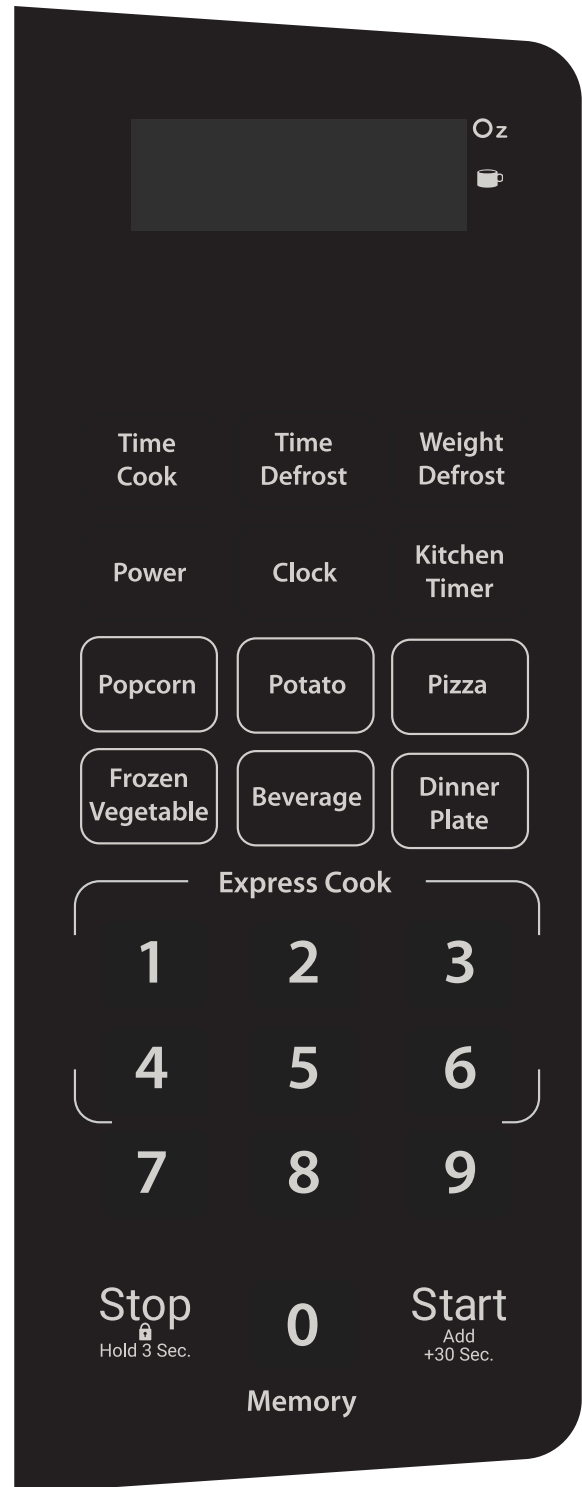
CARACTÉRISTIQUES

1. Système de verrouillage de porte
2. Plateau en verre
3. Anneau de rouleau
4. Feuille de mica (**Ne pas enlever**)
5. Panneau de contrôle



PANNEAU DE CONTRÔLE

1. **Affichage:** montre le temps de cuisson, le niveau de puissance et l'heure de l'horloge.
2. **Temps de cuisson:** utilisé pour régler le temps de cuisson désiré.
3. **Dégel par temps:** utilisé pour définir la fonction de dégivrage en fonction de l'heure.
4. **Dégel par poids:** utilisé pour régler la fonction de dégivrage en fonction du poids.
5. **Bouton de puissance:** utilisé pour sélectionner le niveau de puissance.
6. **Bouton d'horloge:** utilisé pour régler l'heure actuelle.
7. **Bouton de la minuterie:** utilisé pour régler la fonction de la minuterie.
8. **Menus de cuisson automatique:** réglages instantanés pour cuisiner des aliments populaires.
9. **Boutons cuisson rapide:** utilisé pour définir les options de cuisson express.
10. **Pavé numérique:** utilisé pour régler l'heure ou les montants.
11. **Bouton arrêt:** utilisé pour suspendre ou effacer un programme de cuisson. Appuyez et maintenez enfoncé pendant 3 secondes pour engager le verrouillage du panneau de commande / enfant.
12. **Bouton de 0/mémoire:** utilisé pour régler la fonction de mémoire.
13. **Bouton marche/+30SEC:** utilisé pour démarrer un programme de cuisson ou ajouter 30 secondes à un programme de cuisson.



CONSIGNES D'UTILISATION

PREMIÈRE UTILISATION

Lorsque l'appareil est branché pour la première fois, l'affichage indique "00:00". Utilisez le pavé numérique pour entrer l'heure actuelle, puis appuyez sur le bouton d'horloge pour confirmer.

Lorsque vous réglez la minuterie de cuisson, l'appareil revient en mode veille s'il n'y a pas d'entrée dans les 25 secondes.

Pendant l'opération:

- Appuyez sur le bouton **marche/+ 30SEC** pour commencer l'opération.
- Appuyez sur le bouton **arrêt** pour annuler le programme de cuisson.
- L'appareil émet un bip cinq fois à la fin d'un programme de cuisson.

RÉGLAGE DE L'HORLOGE

L'horloge ne peut être réglée que comme une horloge de 12 heures.

Pour définir l'heure actuelle:

1. Appuyez sur le bouton **horloge**.
2. Utilisez le pavé numérique pour entrer l'heure actuelle.
3. Appuyez sur le bouton **horloge** pour confirmer.

Pendant le fonctionnement, appuyez sur le bouton **Horloge** pour voir l'heure actuelle.

MINUTERIE DE CUISINE

Pour régler la fonction de la minuterie:

1. Appuyez sur le bouton **minuterie** de cuisine.
2. Utilisez le pavé numérique pour entrer dans le temps voulu pour exécuter la minuterie. La durée maximale est de 99 minutes et 99 secondes.
3. Appuyez sur le bouton **marche/+30SEC** pour lancer le fonctionnement de la minuterie.

Remarque: Les programmes ne peuvent pas être réglés pendant la mise en marche de la minuterie.

CUISSON À MICRO-ONDES

1. Appuyez sur le bouton **temps de cuisson**. L'affichage indique "00:00".
2. Utilisez le pavé numérique pour entrer le temps de cuisson désiré. Le temps maximum est de 99 minutes et 99 secondes.
3. Appuyez sur le bouton de **puissance** pour choisir un niveau de puissance. Le niveau de puissance par défaut est 100%. L'affichage affichera "PL10". Utilisez le pavé numérique pour entrer le niveau de puissance souhaité si 100% n'est pas nécessaire.
4. Appuyez sur le bouton **marche/+ 30SEC** pour commencer l'opération.

Remarque: Si "PLO" est sélectionné, le ventilateur de l'appareil fonctionnera sans fonction de cuisson. Ce niveau de puissance peut être utilisé pour éliminer les odeurs du four.

Remarque: Pendant la cuisson, si le niveau de puissance choisi n'est pas suffisant, appuyez sur le bouton d'alimentation. Le niveau de puissance actuel clignotera pendant trois secondes. Utilisez le pavé numérique pour choisir un nouveau niveau de puissance et l'opération se poursuivra dans le nouveau niveau de puissance.

Cuisine à deux étages

Certaines recettes nécessitent différentes étapes de cuisson à différentes températures. Pour définir un programme de cuisson en deux étapes:

1. Appuyez sur le bouton **temps de cuisson** et utilisez le pavé numérique pour entrer le temps de cuisson souhaité pour la première étape.
2. Appuyez sur le bouton de **puissance** et utilisez le pavé numérique pour entrer le niveau de puissance souhaité pour la première étape.
3. Appuyez sur le bouton **temps de cuisson** et utilisez le pavé numérique pour entrer le temps de cuisson désiré pour la deuxième étape.
4. Appuyez sur le bouton de **puissance** et utilisez le pavé numérique pour entrer le niveau de puissance souhaité pour la deuxième étape.
5. Appuyez sur le bouton **marche/+ 30SEC** pour commencer l'opération.

Pavé numérique	0	1	2	3	4	5	6	7	8	9
Puissance de cuisson	0%	10%	20%	30%	40%	50%	60%	70%	80%	90%
Afficher	PLO	PL1	PL2	PL3	PL4	PL5	PL6	PL7	PL8	PL9

CONSIGNES D'UTILISATION

CUISSON AUTOMATIQUE

Les boutons de cuisson automatique peuvent être utilisés pour régler les fonctions de cuisson automatiques pour les types d'aliments ci-dessous.

MAÏS SOUFFLÉ

1. Appuyez plusieurs fois sur le bouton **maïs soufflé** pour parcourir les options "1.75", "3.0" et "3.5". Ces nombres se rapportent à la taille du sac de maïs soufflé en onces.
2. Appuyez sur le bouton **marche/+30SEC** pour commencer l'opération.

POMME DE TERRE

1. Appuyez plusieurs fois sur le bouton **pomme de terre** pour parcourir les options de "1" "2" et "3". Ces chiffres se rapportent à la taille de la portion en onces. 1 est de 8 onces, 2 est de 16 onces et 3 est de 24 onces.
2. Appuyez sur le bouton **marche/+30SEC** pour commencer l'opération.

PIZZA

1. Appuyez plusieurs fois sur le bouton **pizza** pour parcourir les options "4.0", "8.0" et "14.0". Ces chiffres se rapportent à la taille de la portion en onces.
2. Appuyez sur le bouton **marche/+30SEC** pour commencer l'opération.

LÉGUME CONGELÉS

1. Appuyez plusieurs fois sur le bouton **légume congelés** pour parcourir les options "4.0", "8.0" et "16.0". Ces chiffres se rapportent à la taille de la portion en onces.
2. Appuyez sur le bouton **marche/+30SEC** pour commencer l'opération.

BREUVAGE

1. Appuyez plusieurs fois sur le bouton **breuvage** pour parcourir les options de "1", "2" et "3". Ces chiffres se rapportent au nombre de tasses.
2. Appuyez sur le bouton **marche/+30SEC** pour commencer l'opération.

REPAS

1. Appuyez plusieurs fois sur le bouton **repas** pour parcourir les options de "9.0", "12.0" et "18.0". Ces chiffres se rapportent à la taille de la portion en onces.
2. Appuyez sur le bouton **marche/+30SEC** pour commencer l'opération.

CUISSON EXPRESSE

Lorsque l'appareil n'est pas en service, appuyez sur le pavé numérique de 1 à 6 et l'appareil fonctionnera entre 1 et 6 minutes à 100% de la puissance de cuisson.

AJOUTER 30 SECONDES

Lorsque l'appareil ne fonctionne pas, appuyez sur la touche **marche/+30SEC** pour faire fonctionner l'appareil pendant 30 secondes à 100% du niveau de puissance. Ce bouton peut être pressé à plusieurs reprises, chaque pression ajoutera encore 30 secondes au temps de cuisson. Le temps de cuisson maximum est de 99 minutes et 99 secondes.

DÉGEL PAR POIDS

Le temps de dégivrage et le niveau de puissance sont réglés automatiquement lorsque le poids est entré.

1. Appuyez sur le bouton **dégel par poids**. L'affichage indique "dEF1".
2. Utilisez le pavé numérique pour entrer le poids de l'aliment à décongeler entre 4 et 100 oz.
3. Appuyez sur le bouton **marche/+30SEC** pour confirmer.

DÉGEL PAR TEMPS

1. Appuyez sur le bouton **dégel par temps**. L'affichage indique "dEF2".
2. Utilisez le pavé numérique pour entrer le temps de dégivrage souhaité. Le temps maximum est de 99 minutes et 99 secondes.
3. Le niveau de puissance par défaut est 3, 30%. L'affichage indique "PL3".
4. Pour changer le niveau de puissance, appuyez sur le bouton **puissance**, puis appuyez sur le pavé numérique pour connaître le niveau de puissance désiré.
5. Appuyez sur le bouton **marche/+30SEC** pour confirmer.

FONCTION MÉMOIRE

La fonction mémoire permet de programmer les temps de cuisson et les pouvoirs qui peuvent être rappelés et utilisés encore et encore avec une entrée minimale. Trois programmes de mémoire peuvent être définis à la fois, ils sont étiquetés 1, 2 et 3.

Pour configurer la mémoire 1 :

1. Appuyez une fois sur le bouton **0/mémoire**. Le numéro 1 s'affiche.
2. Appuyez sur le bouton **temps de cuisson**, puis utilisez le pavé numérique pour entrer le temps de cuisson désiré.
3. Appuyez une fois sur le bouton **d'alimentation**. Le niveau de puissance sera par défaut à 100%. "PL10" s'affiche. Pour changer le niveau de puissance, utilisez le pavé numérique pour entrer le niveau de puissance désiré.
4. Appuyez sur le bouton **marche/+30SEC** pour enregistrer le réglage.
5. Pour utiliser le réglage à l'avenir, appuyez une fois sur le bouton **0/mémoire** et lorsque le numéro 1 s'affiche, appuyez sur le bouton **marche/+30SEC** pour commencer l'opération.

Pour régler la mémoire 2 ou 3, appuyez deux fois sur trois sur le bouton **0/mémoire** jusqu'à ce que le numéro 2 ou 3 s'affiche, puis suivez les étapes ci-dessus.

Remarque: Si l'alimentation est perdue ou que l'appareil est débranché, les réglages de la mémoire devront être reprogrammés.

RÉGLAGE DE LA VERROUILLAGE DES ENFANTS

Pour régler le verrouillage enfant, pendant que l'appareil est en mode veille, appuyez et maintenez le bouton **arrêt** pendant 3 secondes. L'appareil émet un bip pour indiquer que le verrouillage enfant est activé. Lorsqu'il est verrouillé, l'appareil ne peut pas être utilisé.

Pour annuler le verrouillage enfant, appuyez et maintenez le bouton **arrêt** pendant 3 secondes. L'appareil émet un bip pour indiquer que le verrouillage enfant a été désactivé.

NETTOYAGE

Éteignez et débranchez l'appareil avant de procéder à un nettoyage.

L'intérieur de l'appareil doit être nettoyé avec un chiffon chaud et humide et des détergents doux. Ne laissez pas les éclaboussures de nourriture s'accumuler à l'intérieur de l'appareil, car cela peut affecter l'efficacité du micro-ondes et, si suffisamment sale, peut s'allumer et provoquer un incendie.

L'extérieur de l'appareil doit être nettoyé avec un chiffon chaud et humide. Pour éviter d'endommager les composants internes, ne laissez aucune eau s'écouler dans les ouvertures de ventilation.

Nettoyez la porte et la fenêtre des deux côtés, les joints de la porte et les parties adjacentes souvent avec un chiffon humide pour éliminer les déversements ou les éclaboussures. Ne pas utiliser de nettoyeurs abrasifs.

Ne laissez pas le panneau de commande se mouiller. Si nécessaire, nettoyez le panneau de commande avec un chiffon humide, puis essuyez.

Le bac en verre peut être enlevé et nettoyé dans de l'eau tiède et un détergent doux ou peut être placé dans un lave-vaisselle.

La bague de roulement et le plancher du four doivent être nettoyés régulièrement afin d'éviter un bruit ou un renversement excessif. L'anneau à rouleaux peut être nettoyé dans de l'eau tiède et un détergent doux ou peut être placé dans un lave-vaisselle. Assurez-vous que la bague de roulement et le plateau en verre sont remplacés dans la bonne position pour éviter le bruit ou le renversement.

ENTRETIEN

Pour éliminer les odeurs du micro-ondes:

1. Mélangez une tasse d'eau avec le jus et la peau d'un citron dans un bol à micro-ondes.
2. Micro-ondes à pleine puissance pendant 5 minutes.
3. Essayez complètement l'intérieur de l'appareil, le plateau en verre et l'anneau à rouleaux avec un chiffon chaud et humide.

DÉPANNAGE

Danby soins du consommateur: 1-800-263-2629

Heures d'ouverture:

Lundi à Jeudi 8 h 30 à 18 h, heure normale de l'Est
Vendredi de 8 h 30 à 16 h, heure normale de l'Est

Les informations contenues dans ce manuel sont sujettes à modification sans préavis.

PROBLEME	POSSIBLE CAUSE
Aucune puissance	<ul style="list-style-type: none">• Un fusible peut être soufflé ou le disjoncteur a déclenché• Branchement pas complètement inséré dans la prise murale
Arracher ou étinceler pendant l'opération	<ul style="list-style-type: none">• Les articles métalliques ont été laissés dans l'appareil pendant l'opération• L'appareil fonctionne alors qu'il est vide• Les aliments renversés ont été construits à l'intérieur de l'appareil ou sur la feuille de mica
Aliments cuits de façon inégale	<ul style="list-style-type: none">• La nourriture n'a pas été complètement décongelée avant de cuisiner• Le temps de cuisson ou le niveau de puissance étaient insuffisants• La nourriture n'a pas été tournée ou agitée pendant la cuisson
Aliments trop cuit	<ul style="list-style-type: none">• Le niveau de puissance ou le temps de cuisson étaient trop élevés
Aliments non cuits	<ul style="list-style-type: none">• La nourriture n'a pas été complètement décongelée avant de cuisiner• Le temps de cuisson ou le niveau de puissance étaient insuffisants• La nourriture n'a pas été tournée ou agitée pendant la cuisson• Les ouvertures de ventilation sont bloquées
Mauvaise décongélation	<ul style="list-style-type: none">• Le temps de dégivrage ou le niveau de puissance étaient insuffisants• La nourriture n'a pas été tournée ou agitée pendant le dégivrage

FEUILLE DE MICA

À l'intérieur de l'appareil, il y a une feuille de carton en mica protégeant le magnétron. Ne retirez pas cela de l'appareil car l'exposition du magnétron aux éclaboussures de nourriture peut provoquer un arc ou un incendie. Si elle devient sale, la feuille de mica peut être nettoyée avec un chiffon chaud.

DISPOSITION

Ce produit ne doit pas être considéré comme un ordures ménagères, il doit être transporté vers le point de collecte approprié pour le recyclage des composants électriques. Pour plus d'informations sur les points locaux de collecte des déchets, contactez votre agence locale d'élimination des déchets ou votre bureau gouvernemental.

GARANTIE LIMITÉE « EN ATELIER »

Cet appareil de qualité est garanti exempt de tout vice de matière première et de fabrication, s'il est utilisé dans les conditions normales recommandées par le fabricant.

Cette garantie n'est offerte qu'à l'acheteur initial de l'appareil vendu par Danby Products Limited (Canada) ou Danby Products Inc. (É.-U.) (ci-après « Danby ») ou par l'un des ses distributeurs agréés et elle ne peut être transférée.

CONDITIONS

Les pièces en plastique sont garanties pendant trente (30) jours seulement à partir de la date de l'achat, sans aucune prolongation prévue.

Premiers 18 mois Pendant les premiers **dix-huit (18) mois**, toutes les pièces fonctionnelles de ce produit qui s'avèrent défectueuses seront réparées ou remplacées, selon le choix du garant, sans frais à l'acheteur initial.

Pour obtenir un service Contactez le revendeur où l'appareil a été acheté ou contactez le dépôt de service Danby autorisé le plus proche, où le service doit être effectué par un technicien de service qualifié. Si le service est effectué sur l'appareil par une personne autre qu'un dépôt de service autorisé, toutes les obligations de Danby en vertu de cette garantie seront annulées.

Il est de la responsabilité de l'acheteur de transporter l'appareil vers le dépôt de service agréé le plus proche.

Les frais de transport entre votre domicile et le lieu de l'entretien ne sont pas couverts par la présente garantie et doivent être acquittés par l'acheteur.

Aucune partie de la garantie ne prévoit implicitement que le fabricant sera tenu responsable des dommages subis par les aliments ou d'autres types de contenu, qu'ils soient causés par la défectuosité de l'appareil ou par son usage adéquat ou inadéquat.

EXCLUSIONS

En vertu de la présente, il n'existe aucune autre garantie, condition ou représentation, qu'elle soit exprimée ou tacite, de façon manifeste ou intentionnelle, par Danby ou ses distributeurs agréés. De même, sont exclues toutes les autres garanties, conditions ou représentations, y compris les garanties, conditions ou représentations en vertu de toute loi régissant la vente de produits ou de toute autre législation ou règlement semblable. **En vertu de la présente, Danby ne peut être tenue responsable en cas de blessures corporelles ou de dégâts matériels, y compris à l'appareil, quelle qu'en soit la cause. Danby ne peut pas être tenue responsable des dommages indirects dus au fonctionnement défectueux de l'appareil. En achetant l'appareil, l'acheteur accepte de tenir sans reproche et de dégager Danby de toute responsabilité en cas de réclamation pour toute blessure corporelle ou tout dégât matériel causé par cet appareil.**

CONDITIONS GÉNÉRALES

La garantie ou assurance ci-dessus ne s'applique pas si les dégâts ou réparations sont dus aux cas suivants :

- 1) Panne de courant.
- 2) Dommages subis pendant le transport ou le déplacement de l'appareil.
- 3) Alimentation électrique incorrecte (tension faible, câblage défectueux, fusibles incorrects).
- 4) Accident, modification, emploi abusif ou incorrect de l'appareil tel qu'une circulation d'air inadéquate dans la pièce ou des conditions de fonctionnement anormales (température extrêmement élevée ou basse).
- 5) Utilisation dans un but commercial ou industriel (à savoir, si l'appareil n'est pas installé dans un domicile résidentiel).
- 6) Incendie, dommages causés par l'eau, le vol, la guerre, une émeute, des hostilités, ou en cas de force majeure (ouragan, inondation, etc.).
- 7) Visites d'un technicien pour expliquer le fonctionnement de l'appareil au propriétaire.
- 8) Installation inappropriée (par exemple, encastrement d'un appareil autoportant, ou utilisation extérieure d'un appareil non conçu à cet effet, y compris, mais sans s'y limiter : les garages, les patios, les porches ou ailleurs, qui ne sont pas correctement isolés ou climatisés).

La preuve de la date d'achat sera requise pour les réclamations de garantie; conserver la facture de vente. Dans le cas où un service de garantie est requis, présentez la preuve d'achat à notre dépôt de service agréé.

Service sous garantie

En Atelier

Danby Products Limited
PO Box 1778, Guelph, Ontario, Canada N1H 6Z9
Téléphone : (519) 837-0920 Télécopieur : (519) 837-0449

1-800-263-2629
02/18

Danby Products Inc.
PO Box 669, Findlay, Ohio, U.S.A. 45840
Téléphone : (419) 425-8627 Télécopieur : (419) 425-8629

Bienvenido

Bienvenido a la familia Danby. Estamos orgullosos de nuestros productos de calidad y creemos en el servicio fiable. Sugerimos que lea este manual del propietario antes de conectar el nuevo aparato ya que contiene información importante sobre la operación, información de seguridad, solución de problemas y consejos de mantenimiento para garantizar la fiabilidad y longevidad de su electrodoméstico.

Visite **www.Danby.com** para acceder a herramientas de autoservicio, preguntas frecuentes y mucho más. Para asistencia adicional, llame al **1-800-263-2629**.

Tenga en cuenta la información siguiente; Necesitará esta información para obtener un servicio bajo garantía.

Debe proporcionar el recibo de compra original para validar su garantía y recibir servicio.

Número de modelo: _____

Número de serie: _____

Fecha de compra: _____

Necesitas ayuda?

Antes de llamar al servicio, aquí hay algunas cosas que puede hacer para ayudarnos a servirle mejor.

Lea este manual del propietario:

Contiene instrucciones para ayudarlo a usar y mantener su aparato correctamente.

Si recibe un aparato dañado:

Inmediatamente póngase en contacto con el minorista o el constructor que le vendió el aparato.

Ahorre tiempo y dinero:

Consulte la sección de solución de problemas al final de este manual antes de llamar. Esta sección le ayudará a resolver problemas comunes que pueden ocurrir.



1-800-26- Danby
(1-800-263-2629)



INSTRUCCIONES DE SEGURIDAD IMPORTANTES

LEA Y SIGA TODAS LAS INSTRUCCIONES DE SEGURIDAD

Al usar aparatos eléctricos, se deben seguir las precauciones básicas de seguridad, que incluyen lo siguiente:

ADVERTENCIA: para reducir el riesgo de quemaduras, descargas eléctricas, incendios, lesiones a las personas o exposición a excesiva energía de microondas:

1. Lea todas las instrucciones antes de usar el aparato.
2. Lea y siga las "PRECAUCIONES PARA EVITAR LA POSIBLE EXPOSICIÓN A ENERGÍA DE MICROONDAS EXCESIVA" específicas que se encuentran en la página 29.
3. Este electrodoméstico debe estar conectado a tierra. Conecte solo a una toma de corriente debidamente conectada a tierra. Vea "INSTRUCCIONES DE CONEXIÓN A TIERRA" que se encuentran en la página 29.
4. Instale o localice este aparato solo de acuerdo con las instrucciones de instalación proporcionadas.
5. Algunos productos, como huevos enteros y recipientes sellados, por ejemplo, frascos de vidrio cerrados, pueden explotar y no deben calentarse en este horno.
6. Use este electrodoméstico solo para su uso como se describe en este manual. No use productos químicos corrosivos de vapores en este electrodoméstico. Este tipo de horno está diseñado específicamente para calentar, cocinar o secar los alimentos. No está diseñado para uso industrial o de laboratorio.
7. Al igual que con cualquier aparato, se necesita una estrecha supervisión cuando los niños los usan.
8. No utilice este electrodoméstico si tiene un cable o enchufe dañado, si no funciona correctamente o si se ha dañado o se ha caído.
9. Este electrodoméstico debe ser revisado solo por personal de servicio calificado. Póngase en contacto con el centro de servicio autorizado más cercano para que lo examinen, reparen o realicen ajustes.
10. No cubra ni bloquee ninguna abertura en el electrodoméstico.
11. No almacene este electrodoméstico al aire libre. No use este producto cerca del agua, por ejemplo, cerca de un fregadero de la cocina, en un sótano húmedo, cerca de una piscina o en una ubicación similar.
12. No sumerja el cable o enchufe el agua.
13. Mantenga el cable alejado de la superficie caliente.
14. No permita que el cable cuelgue sobre el borde de la mesa o el mostrador.
15. Ya sea
 - 1) Cuando limpie las superficies de la puerta y el horno, se unen al cerrar la puerta, use solo jabones suaves no abrasivos o detergentes aplicados con una esponja o un paño suave o
 - 2) Consulte las instrucciones de limpieza de la superficie de la puerta en página 37.
16. Para reducir el riesgo de incendio en la cavidad del horno:
 - 1) No cocine demasiado los alimentos. Cuidadosamente asista al electrodoméstico cuando se coloque papel, plástico u otros materiales combustibles dentro del horno para facilitar la cocción.
 - 2) Retire las tiras de alambre del papel o de la bolsa de plástico antes de colocar la bolsa en el horno.
 - 3) Si el material dentro del horno se enciende, mantenga la puerta del horno cerrada, apague el horno y desconecte el cable de alimentación, o apague el fusible o el panel del interruptor de circuito.
 - 4) No use la cavidad para fines de almacenamiento. No deje productos de papel, utensilios de cocina o alimentos en la cavidad cuando no los use.

Los líquidos, como el agua, el café o el té, se pueden sobrecalentar más allá del punto de ebullición sin que parezcan estar hirviendo. El burbujeo o ebullición visible cuando el contenedor se retira del microondas no siempre está presente. ESTO PODRÍA RESULTAR EN LÍQUIDOS MUY CALIENTES REPENTINAMENTE HIRVIENDO SOBRE CUANDO EL CONTENEDOR ESTÁ DISTURBIDO O SE INSERTA UN UTENSILIO EN EL LÍQUIDO.

¡GUARDE ESTAS INSTRUCCIONES!



INSTRUCCIONES DE SEGURIDAD IMPORTANTES LEA Y SIGA TODAS LAS INSTRUCCIONES DE SEGURIDAD

PRECAUCIONES PARA EVITAR LA POSIBLE EXPOSICIÓN A LA ENERGÍA DE MICROONDAS EXCESIVA

(a) No intente operar este horno con la puerta abierta ya que la operación de puerta abierta puede resultar en una exposición dañina a la energía de microondas. Es importante no vencer o manipular los enclavamientos de seguridad.

(b) No coloque ningún objeto entre la cara frontal del horno y la puerta ni permita que se acumulen residuos de suciedad o limpiadores en las superficies de sellado.

(c) No opere el horno si está dañado. Es particularmente importante que la puerta del horno se cierre correctamente y que no haya daños en: (1) puerta (doblada), (2) bisagras y pestillos (rotos o sueltos), (3) sellos de las puertas y superficies de sellado.

(d) El horno no debe ser reparado ni reparado por nadie, excepto el personal de servicio debidamente calificado.

INSTRUCCIONES DE CONEXIÓN A TIERRA

Este electrodoméstico debe estar conectado a tierra. En caso de un cortocircuito eléctrico, la conexión a tierra reduce el riesgo de descarga eléctrica al proporcionar un cable de escape para la corriente eléctrica.

Este electrodoméstico está equipado con un cable que tiene un cable de conexión a tierra con un enchufe a tierra. El cable de alimentación debe estar conectado a una toma de corriente que esté conectada a tierra correctamente. Si el tomacorriente es un tomacorriente estándar de pared de 2 clavijas, es su responsabilidad que se lo reemplace con un tomacorriente de pared de 3 clavijas debidamente conectado a tierra. La placa de clasificación de serie indica el voltaje y la frecuencia para la que está diseñado el dispositivo.

ADVERTENCIA: el uso inadecuado de la conexión a tierra puede generar un riesgo de descarga eléctrica. Consulte a un electricista calificado o agente de servicio si las instrucciones de conexión a tierra no se comprenden completamente o si existen dudas sobre si el aparato está conectado a tierra correctamente.

No conecte su aparato a los cables de extensión ni a otro aparato en la misma toma de corriente. No empalme el cable de alimentación. Bajo ninguna circunstancia, corte o quite la tercera punta de tierra del cable de alimentación.

Si el cable de alimentación está dañado, debe ser reemplazado por el fabricante, su agente de servicio o persona calificada similar para evitar riesgos.

Haga que un electricista calificado instale una toma de corriente con conexión a tierra cerca del aparato si el cable de alimentación es demasiado corto.

Se proporciona un cable de alimentación corto para reducir los riesgos derivados de enredarse o tropezarse con un cable más largo.

¡GUARDE ESTAS INSTRUCCIONES!



INSTRUCCIONES DE SEGURIDAD IMPORTANTES LEA Y SIGA TODAS LAS INSTRUCCIONES DE SEGURIDAD

INTERFERENCIA DE RADIO FRECUENCIA

Este equipo genera y usa frecuencias en la banda ISM (Industrial, Scientific and Medical) y si no se instala y se usa estrictamente de acuerdo a las instrucciones del fabricante, este aparato puede causar interferencia en la recepción de sus equipos de radio y televisión. Este aparato se ha comprobado que cumple con los límites establecidos para equipo ISM y esta en conformidad con la Parte 18 de las normas de la FCC, Los cuales están diseñados para proporcionar una protección razonable contra tales interferencias en una instalación domestica y de uso residencial.

Sin embargo, no hay garantía que la interferencia no ocurrirá en ciertas instalaciones. Si este equipo causa interferencia en la recepción de señales de radio o televisión, la cual pudiera determinarse encendiendo y apagando el equipo, la interferencia puede corregirse por uno o mas de los siguientes métodos:

- Reoriente la antena receptora de radio o televisión.
- Aleje el horno de microondas de la antena receptora.
- Conecte el microondas en una clavija/enchufe diferente, de modo que el microondas y el equipo receptor estén en diferentes circuitos eléctricos.

El fabricante no será responsable por cualquier interferencia de radio o televisión causada por cualquier modificación no autorizada a este electrodoméstico, En todo caso será responsabilidad del usuario corregir dicha interferencia.

Capacidad del horno:	31 L 1.1 cu. ft.
Diámetro de la placa giratoria:	ø315 mm ø12.4 in
Dimensiones externas:	51.3 x 40.1 x 30.7 cm 20.2 x 15.7 x 12.1 in
Peso neto:	14.5 kg 32 lbs
Tensión nominal:	120 V ~ 60 Hz

SEGURIDAD – LIQUIDOS SUPER-CALENTADOS

Los líquidos pueden ser sobre-calentados mas allá de su punto de ebullición si que asi parezca debido la tensión de la superficie del liquido en cuestión. Burbujas visibles no siempre estarán presentes cuando el recipiente con liquido es retirado del aparato microondas. Esto podría resultar en líquidos muy calientes y repentinamente hervir cuando un utensilio u otro artículo como una bolsa de té se introduce en el líquido.

Para reducir el riesgo de alguna lesión o daño:

- No sobrecaliente líquidos, no caliente ningún liquido por más de 2 minutos por cada taza o recipiente.
- Agitar el liquido antes y durante el calentamiento.
- No utilice recipientes con lados rectos o con cuello estrechos ya que esto puede causar acumulación de vapor.
- Un liquido súper-calentado puede espontáneamente comenzar a hervir cuando este es retirado del microondas. Después del calentamiento, Deje que el liquido permanezca en por espacio de 30 segundos antes de retirarlo del microondas.
- Mantenga extreme cuidado cuando introduzca algún utensilio o algún otro objeto dentro de un liquido caliente.

El contenido de botellas de leche o frascos con comida para bebe debe de batirse o agitarse y verificar la temperatura antes de ser servidos para evitar quemaduras.

No descongele bebidas congeladas, especialmente aquellas que puedan contener gas (bebidas carbonatadas) ellas podrían explotar en este electrodoméstico.

Los alimentos calientes y el vapor pueden causar quemaduras. Tenga cuidado al abrir cualquier recipiente que haya sido calentado en el aparato. Dirija la abertura lejos de las manos y la cara para evitar quemaduras.

SEGURIDAD – CHISPAS Y RUIDOS

Chispas y ruidos dentro del microondas cuando este esta en funcionamiento, pueden ser causados por:

- Metal o aluminio dentro del horno microondas/ electrodoméstico.
- Toallas de papel recicladas que hayan sido usadas dentro del electrodoméstico que pudieran contener pequeñas partículas de metal.

Si chispas y ruidos llegasen a ocurrir, o presentarse, detenga inmediatamente la operación y funcionamiento de su horno, luego retire cualquier objeto de metal o toallas de papel del electrodoméstico.

¡GUARDE ESTAS INSTRUCCIONES!

INSTRUCCIONES DE INSTALACIÓN

INSTALACIÓN

- Retire todos los materiales de embalaje del interior y del exterior del aparato. No retire la hoja de mica de cartón que cubre el magnetrón.
- Compruebe si el aparato está dañado antes de usarlo, como una puerta desalineada o doblada, sellos dañados de la puerta, bisagras o pestillos de la puerta rotos o sueltos o abolladuras dentro de la cavidad o en la puerta. Si hay algún daño en el aparato, no lo utilice, devuélvalo a su punto de compra o póngase en contacto con el consumidor.
- El aparato debe colocarse sobre una superficie plana y estable que sea capaz de sostener su peso y el alimento más pesado que pueda ser colocado en el aparato.
- No utilice este aparato donde se genere calor, humedad o humedad elevada.
- No limpie este aparato con o cerca de materiales combustibles.
- Deje 30 cm (12 pulgadas) de espacio sobre el aparato, 7,5 cm (3 pulgadas) en la parte posterior del aparato y 7,5 cm (3 pulgadas) en ambos lados para que el aire fluya correctamente alrededor del aparato. No bloquee las aberturas de ventilación del aparato.
- No opere el aparato sin la bandeja de vidrio, el soporte del rodillo y el eje en sus posiciones correctas.
- **ADVERTENCIA:** No instale el microondas sobre una estufa u otro electrodoméstico que produzca calor. Si se instala cerca o encima de una fuente de calor, el microondas podría dañarse y la garantía quedaría anulada.

INSTRUCCIONES DE OPERACIÓN

TÉCNICAS DE COCCIÓN

Para obtener los mejores resultados al cocinar en este aparato, siga las siguientes sugerencias.

REVOLVIENDO

Revuelva los alimentos mientras cocina para distribuir el calor uniformemente. Alimentos en el exterior de la antena absorbe más energía y se calienta más rápidamente para agitar desde el exterior del plato hacia el centro.

ARREGLO

Organizar los alimentos de forma irregular, más gruesos, partes más caras hacia el exterior de la plataforma giratoria para que reciban más calor. Para evitar que se quemem demasiado, coloque los artículos delicados hacia el centro de la mesa giratoria.

ESCUDO

Los alimentos delicados pueden ser protegidos con tiras estrechas de papel de aluminio para evitar la cocción excesiva. Utilice sólo pequeñas cantidades de papel de aluminio ya que esto puede provocar arcos y dañar el aparato.

TORNEADO

Convierte los alimentos a la mitad de la cocción para exponer todas las partes a la energía de microondas. Esto es importante con los artículos grandes y la carne.

REPOSEN

Los alimentos cocinados en un microondas acumulan calor interno y continúan cocinando durante unos minutos después de que se detenga la calefacción. Deje que los alimentos reposen para completar la cocción, especialmente carnes y líquidos. Todos los líquidos deben dejarse reposar durante unos minutos después de la cocción y deben ser sacudidos o revueltos antes de consumirlos.

AÑADIR HUMEDAD

La energía de la microonda se atrae a las moléculas de agua. Los alimentos que son desiguales en el contenido de humedad deben ser cubiertos y dejar reposar después de cocinar para permitir que el calor se dispersen uniformemente. Añadir una pequeña cantidad de agua para secar los alimentos para ayudar a cocinar.

INSTRUCCIONES DE OPERACIÓN

GUÍA DE UTENSILIOS DE COCINA

Ciertos utensilios son inadecuados para su uso en un microondas. Vea a continuación para más información sobre qué utensilios se recomiendan, que sólo deben tener un uso limitado y que no se recomiendan.

RECOMENDADO

Plato para dorar en el microondas: Se utiliza para dorar el exterior de los alimentos pequeños. Siga las instrucciones proporcionadas con el plato de dorado.

Envoltura de plástico para microondas: Se utiliza para retener el vapor. Deje una pequeña abertura para evitar una acumulación de vapor. No coloque directamente sobre los alimentos.

Tazones y platos de vidrio y cerámica: Uso para calentar o cocinar.

Platos y tazas de papel: Utilice para calentar a corto plazo a bajas temperaturas. No utilice papel reciclado ya que pueden contener metal y podrían encenderse.

Toallas de papel y servilletas: Utilizar para calefacción y cubrimiento a corto plazo. Pueden absorber el exceso de humedad y evitar salpicaduras. No utilice toallas de papel recicladas ya que pueden contener metal y podrían encenderse.

Papel encerado: Utilizar como tapa para evitar salpicaduras.

Termómetros: Utilice solamente aquellos que están etiquetados como "seguros para microondas" y siga todas las instrucciones. Compruebe la comida en varios lugares. Los termómetros convencionales se pueden utilizar una vez que los alimentos se han retirado del microondas.

USO LIMITADO

Papel de aluminio: Utilice tiras estrechas para evitar la cocción excesiva de las áreas expuestas. Utilizar demasiada lámina puede provocar arcos y dañar el aparato. Mantenga una distancia de por lo menos 1 pulgada (2.6 cm) entre la lámina y el interior del aparato.

Cerámica, porcelana y gres: Úselo sólo si están etiquetados como "seguros para microondas".

El plástico: Utilice solamente si está marcado como "seguro para microondas".

NO RECOMENDADO

Tarros y botellas de vidrio: El vidrio regular es demasiado delgado para ser utilizado en un microondas. Puede romperse y causar daños o lesiones.

Bolsas de papel: Estos son un peligro de incendio y podrían encenderse. La única excepción son las bolsas de palomitas de maíz, que están diseñados para uso de microondas.

Placas y tazas de espuma de poliestireno: Estos pueden derretirse y dejar un residuo poco saludable en los alimentos.

Almacenamiento de plástico y contenedores de alimentos: Estos pueden fundir y encender.

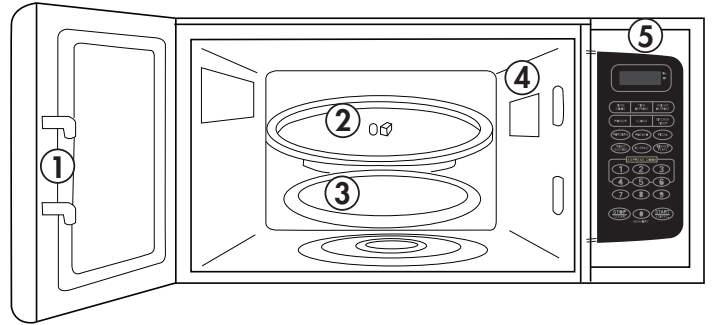
Utensilios de metal: Pueden producirse arcos y daños en el aparato. Retire todo el metal antes de la operación.

Nota: Para comprobar si un plato es seguro para su uso en el microondas, coloque el plato vacío en el aparato y el microondas en la parte alta durante 30 segundos. Si el plato se pone muy caliente, no debe utilizarse.

INSTRUCCIONES DE OPERACIÓN

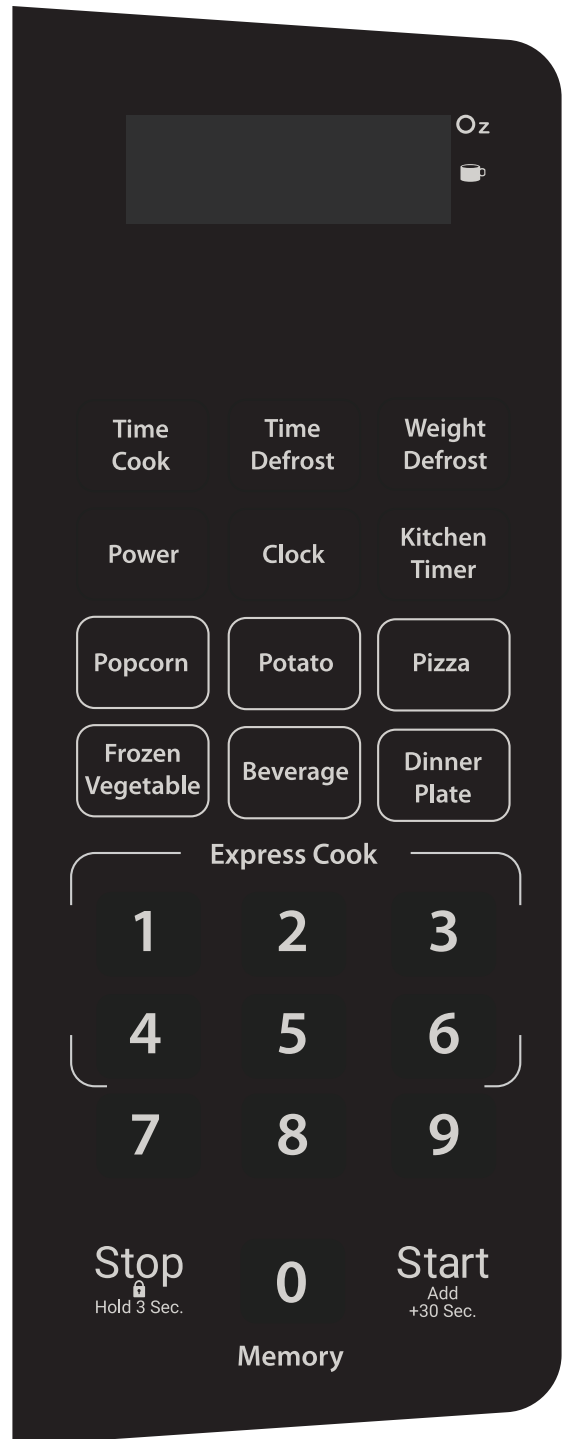
CARACTERÍSTICAS

1. Sistema de cierre de puerta
2. Bandeja de vidrio
3. Anillo de rodillos
4. Hoja de mica (No quitar)
5. Panel de control



PANEL DE CONTROL

1. **Pantalla de visualización:** Muestra el tiempo de cocción, el nivel de potencia y la hora del reloj.
2. **Botón de cocción programada:** Se utiliza para ajustar el tiempo de cocción deseado.
3. **Tiempo de descongelación:** Se utiliza para ajustar la función de descongelación en función del tiempo.
4. **Descongelar por peso:** Se utiliza para ajustar la función de descongelación en función del peso.
5. **Botón de encendido:** Se utiliza para seleccionar el nivel de potencia.
6. **Botón de reloj:** Se utiliza para ajustar la hora actual.
7. **Botón del temporizador:** Se utiliza para ajustar la función del temporizador.
8. **Menús de cocción automática:** Configuración instantánea para cocinar alimentos populares.
9. **Botones cocción express:** Se utiliza para configurar las opciones de cocción express.
10. **Teclado numérico:** Se utiliza para establecer el tiempo o las cantidades.
11. **Botón de parada:** se utiliza para pausar o borrar un programa de cocción. Mantenga presionado durante 3 segundos para activar el bloqueo del panel de control / niño.
12. **Botón de memoria:** Se utiliza para configurar la función de memoria.
13. **Botón Inicio/+30SEC :** Se utiliza para iniciar un programa de cocción o añadir 30 segundos a un programa de cocción.



INSTRUCCIONES DE OPERACIÓN

USO PRIMERO

Cuando el aparato esté enchufado por primera vez, la pantalla mostrará "00:00". Utilice el teclado numérico para introducir la hora actual y luego pulse el botón de reloj para confirmar.

Al configurar el temporizador de cocción, el aparato volverá al modo de espera si no hay entrada en 25 segundos.

Durante la operación:

- Pulse el botón **inicio/+30SEC** para iniciar la operación.
- Pulse el botón **parada** para cancelar el programa de cocción.
- Al final de un programa de cocción, el aparato emitirá un pitido cinco veces.

AJUSTE DEL RELOJ

El reloj sólo se puede configurar como un reloj de 12 horas.

Para ajustar la hora actual:

1. Pulse el botón **reloj**.
2. Utilice el teclado numérico para introducir la hora actual.
3. Pulse el botón **reloj** para confirmar.

Durante el funcionamiento, pulse el botón **reloj** para ver la hora actual.

TEMPORIZADOR DE COCINA

Para ajustar la función del temporizador:

1. Presione el botón **temporizador** de cocina.
2. Use el teclado numérico para ingresar el tiempo deseado para ejecutar el temporizador. El tiempo máximo es de 99 minutos y 99 segundos.
3. Presione el botón **inicio/+30SEC** para comenzar la operación del temporizador.

Nota: Los programas no se pueden configurar mientras el temporizador está funcionando.

COCCIÓN DE MICROONDAS

1. Presione el botón **cocción programada**. La pantalla mostrará "00:00".
2. Utilice el teclado numérico para introducir el tiempo de cocción deseado. El tiempo máximo es de 99 minutos y 99 segundos.
3. Pulse el botón de **encendido** para seleccionar un nivel de potencia. El nivel de potencia predeterminado es 100%. La pantalla mostrará "PL10". Use el teclado numérico para ingresar el nivel de potencia deseado si no se requiere 100%.
4. Pulse el botón **inicio/+30SEC** para iniciar la operación.

Nota: Si se selecciona "PL0", el ventilador del aparato funcionará sin función de cocción. Este nivel de potencia se puede utilizar para eliminar olores del horno.

Nota: Durante la cocción, si el nivel de potencia elegido no es suficiente, presione el botón de encendido. El nivel de potencia actual parpadeará durante tres segundos. Use el teclado numérico para elegir un nuevo nivel de potencia y la operación continuará en el nuevo nivel de potencia.

Cocina de dos etapas

Algunas recetas requieren diferentes etapas de cocción a diferentes temperaturas. Para establecer un programa de cocción en dos etapas:

1. Pulse el botón **cocción programada** y utilice el teclado numérico para introducir el tiempo de cocción deseado para la primera etapa.
2. Pulse el botón de **encendido** y utilice el teclado numérico para introducir el nivel de potencia deseado para la primera etapa.
3. Pulse el botón **cocción programada** y utilice el teclado numérico para introducir el tiempo de cocción deseado para la segunda etapa.
4. Pulse el botón de **encendido** y utilice el teclado numérico para introducir el nivel de potencia deseado para la segunda etapa.
5. Pulse el botón **inicio/+30SEC** para iniciar la operación.

Teclado numérico	0	1	2	3	4	5	6	7	8	9
Potencia de cocinar	0%	10%	20%	30%	40%	50%	60%	70%	80%	90%
Pantalla	PL0	PL1	PL2	PL3	PL4	PL5	PL6	PL7	PL8	PL9

INSTRUCCIONES DE OPERACIÓN

COCCIÓN AUTOMÁTICA

Los botones de cocción automática se pueden utilizar para configurar las funciones de cocción automática para los tipos de alimentos siguientes.

PALOMITAS DE MAIZ

1. Pulse repetidamente el botón **palomitas de maiz** para recorrer las opciones de "1.75", "3.0" y "3.5". Estos números se refieren al tamaño de la bolsa de palomitas de maiz en onzas.
2. Pulse el botón **inicio/+30SEC** para iniciar la operación.

PATATA

1. Presione el botón de **patata** varias veces para recorrer las opciones de "1", "2" y "3". Estos números se refieren al tamaño de la porción en onzas. 1 es 8 onzas, 2 es 16 onzas y 3 es 24 onzas.
2. Pulse el botón **inicio/+30SEC** para iniciar la operación.

PIZZA

1. Presione repetidamente el botón **pizza** para recorrer las opciones de "4.0", "8.0" y "14.0". Estos números se refieren al tamaño de la porción en onzas.
2. Pulse el botón **inicio/+30SEC** para iniciar la operación.

VEGETAL CONGELADO

1. Pulse repetidamente el botón **vegetal congelado** para recorrer las opciones de "4.0", "8.0" y "16.0". Estos números se refieren al tamaño de la porción en onzas.
2. Pulse el botón **inicio/+30SEC** para iniciar la operación.

BEBIDA

1. Presione repetidamente el botón **bebida** para recorrer las opciones de "1", "2" y "3". Estos números se refieren al número de copas.
2. Pulse el botón **inicio/+30SEC** para iniciar la operación.

PLATO DE CENA

1. Presione repetidamente el botón **plato de cena** para recorrer las opciones de "9.0", "12.0" y "18.0". Estos números se refieren al tamaño de la porción en onzas.
2. Pulse el botón **inicio/+30SEC** para iniciar la operación.

COCCIÓN EXPRESA

Cuando el aparato no esté en funcionamiento, presione el botón numérico de 1 a 6 y el aparato funcionará entre 1 y 6 minutos con una potencia de cocción del 100%.

AÑADIR 30 SEGUNDOS

Cuando el aparato no esté en funcionamiento, al presionar el botón **inicio/+30SEC**, el aparato funcionará durante 30 segundos a un nivel de potencia del 100%. Este botón se puede pulsar varias veces, cada vez que se presione, se añadirán otros 30 segundos al tiempo de cocción. El tiempo máximo de cocción es de 99 minutos y 99 segundos.

DESCONGELAMIENTO POR PESO

El tiempo de descongelación y el nivel de potencia se ajustan automáticamente una vez que se introduce el peso.

1. Pulse el botón **descongelar por peso**. La pantalla mostrará "dEF1".
2. Use el teclado numérico para ingresar el peso de los alimentos que se descongelarán entre 4 ~ 100 oz.
3. Pulse el botón **inicio/+30SEC** para confirmar.

Durante el funcionamiento, el aparato hará una pausa y un pitido para indicar que los alimentos deben ser dados vuelta o agitados. Presione el botón **inicio/+30SEC** para reanudar el funcionamiento.

TIEMPO DE DESCONGELACIÓN

1. Presione el botón **tiempo de descongelación**. La pantalla mostrará "dEF2".
2. Utilice el teclado numérico para introducir el tiempo de descongelación deseado. El tiempo máximo es de 99 minutos y 99 segundos.
3. El nivel de potencia predeterminado es 3, 30%. La pantalla mostrará "PL3".
4. Para cambiar el nivel de potencia, presione el botón de **encendido** y luego presione el teclado numérico para el nivel de potencia deseado.
5. Pulse el botón **inicio/+30SEC** para confirmar.

INSTRUCCIONES DE OPERACIÓN

FUNCIÓN DE MEMORIA

La función de memoria permite programar tiempos de cocción y potencias que se pueden recuperar y utilizar una y otra vez con una entrada mínima. Tres programas de memoria se pueden configurar al mismo tiempo, están etiquetados como 1, 2 y 3.

Para configurar la memoria 1:

1. Pulse el botón **0/memoria** una vez. Aparecerá el número 1.
2. Pulse el botón **cocción programada** y luego utilice el teclado numérico para introducir el tiempo de cocción deseado.
3. Presione el botón de encendido una vez. El nivel de potencia predeterminado será 100%. Aparecerá "PL10". Para cambiar el nivel de **encendido**, utilice el teclado numérico para introducir el nivel de potencia deseado.
4. Presione el botón **inicio/+30SEC** para guardar el ajuste.
5. Para usar la configuración en el futuro, presione el botón **0/memoria** una vez y cuando aparezca el número 1, presione el botón **inicio/+30SEC** para comenzar la operación.

Para configurar la memoria 2 o 3, presione el botón de memoria dos o tres veces hasta que aparezca el número 2 o 3 y luego siga los pasos anteriores.

Nota: Si se pierde la alimentación o se desenchufa el aparato, es necesario reprogramar los ajustes de memoria.

CONFIGURACIÓN DEL BLOQUEO PARA NIÑOS

Para configurar el bloqueo de niños, mientras la unidad esté en modo de espera, mantenga presionado el botón **parar/borrar** durante 3 segundos. El aparato emitirá un pitido para indicar que el bloqueo para niños está activado. Mientras está bloqueado, el aparato no puede utilizarse.

Para cancelar el bloqueo para niños, mantenga presionado el botón **parar/borrar** durante 3 segundos. El aparato emitirá un pitido para indicar que el bloqueo para niños ha sido desactivado.

CUIDADO Y MANTENIMIENTO

LIMPIEZA

Apague y desenchufe el aparato antes de realizar cualquier limpieza.

El interior del aparato se debe limpiar con un paño húmedo y suave y detergentes suaves. No permita que salpicaduras de alimentos se acumulen en el interior del aparato, ya que esto puede afectar la eficiencia del microondas y, si está lo suficientemente sucio, puede encenderse y provocar un incendio.

El exterior del aparato se debe limpiar con un paño húmedo y caliente. Para evitar daños a los componentes internos, no permita que gotee agua en las aberturas de ventilación.

Limpie la puerta y la ventana de ambos lados, los sellos de la puerta y las partes adyacentes con frecuencia con un paño húmedo para eliminar cualquier derrame o salpicaduras. No utilice limpiadores abrasivos.

No permita que el panel de control se moje. Si es necesario, limpie el panel de control con un paño húmedo y luego séquelo.

La bandeja de cristal se puede quitar y limpiar en agua tibia y detergente suave o se puede colocar en un lavaplatos.

El anillo de rodillos y el piso del horno deben limpiarse regularmente para evitar ruidos o derrames excesivos. El anillo de rodillos se puede limpiar en agua tibia y detergente suave o se puede colocar en un lavavajillas. Asegúrese de que el anillo de rodillos y la bandeja de vidrio se cambien en la posición adecuada para evitar ruidos o derrames.

MANTENIMIENTO

Para eliminar los olores del microondas:

1. Combine una taza de agua con el jugo y la piel de un limón en un tazón microwavable.
2. Cocinar a plena potencia durante 5 minutos.
3. Limpie completamente el interior del aparato y la bandeja de vidrio y el anillo de rodillos con un paño húmedo y caliente.

SOLUCIÓN SUGERIDA

Danby cuidado del consumidor: 1-800-263-2629

Horas de operación:

Lunes a Jueves 8:30 am - 6:00 pm Hora estándar del este

Viernes 8:30 am - 4:00 pm Hora estándar del este

La información de este manual está sujeta a cambios sin previo aviso.

PROBLEM	POSSIBLE CAUSE
Ninguna energía	<ul style="list-style-type: none">• Se puede quemar un fusible o disparar el disyuntor• El enchufe no está completamente insertado en la toma de corriente
Arco o chispas durante la operación	<ul style="list-style-type: none">• Se dejaron artículos metálicos en el aparato durante el funcionamiento• El aparato está funcionando mientras está vacío• Los alimentos derramados se han acumulado dentro del aparato o en la hoja de mica
Alimentos cocinados de forma pareja	<ul style="list-style-type: none">• La comida no estaba completamente descongelada antes de cocinar• El tiempo de cocción o el nivel de potencia eran insuficientes• La comida no se dio vuelta o se removió durante la cocción
Alimentos sobrecocidos	<ul style="list-style-type: none">• El nivel de potencia o el tiempo de cocción fueron demasiado altos
Alimentos poco cocidos	<ul style="list-style-type: none">• La comida no estaba completamente descongelada antes de cocinar• El tiempo de cocción o el nivel de potencia eran insuficientes• La comida no se dio vuelta o se removió durante la cocción• Las aberturas de ventilación están bloqueadas
Encasa descongelación	<ul style="list-style-type: none">• El tiempo de descongelación o el nivel de potencia eran insuficientes• Los alimentos no se revolvieron o revolvieron durante la descongelación

HOJA DE MICA

Dentro del aparato hay una hoja de mica de cartón que protege el magnetrón. No lo quite del aparato, ya que exponer el magnetrón a las salpicaduras de alimentos puede causar arcos o incendios. Si se ensucia, la hoja de mica se puede limpiar con un paño caliente.

DISPOSICIÓN

Este producto no debe ser tratado como un desecho doméstico ordinario, debe ser transportado al punto de recogida apropiado para el reciclaje de componentes eléctricos. Para obtener información sobre los puntos de recogida de residuos locales, póngase en contacto con la agencia local de eliminación de residuos o con la oficina gubernamental.

GARANTÍA LIMITADA "ACARREADO SOLAMENTE"

Este producto de calidad está garantizado contra defectos de fabricación, incluyendo partes y mano de obra, siempre y cuando la unidad se utilice bajo las condiciones normales de funcionamiento para las que fue diseñado.

Esta garantía está solamente disponible para la persona que haya comprado originalmente esta unidad directamente de Danby Products Limited (Canada) o Danby Products Inc. (U.S.A.) (en adelante "Danby") o uno de sus distribuidores autorizados, y no es transferible.

CONDICIONES DE LA GARANTÍA

Las piezas plásticas, se autorizan por treinta (30) días solamente a partir de la fecha de la compra, sin las extensiones proporcionadas.

Primeros 18 meses Durante los primeros **dieciocho (18) meses**, cualquier parte en buen estado de este producto que resulte defectuosa, incluyendo cualquier sistema sellado, será reparado o reemplazado, a opción del fabricante, sin cargo para el comprador original.

Para obtener servicio Póngase en contacto con el distribuidor donde adquirió el electrodoméstico o póngase en contacto con el centro de servicio autorizado más cercano de Danby, donde el servicio debe ser realizado por un técnico cualificado. Si el servicio es realizado por cualquier persona que no sea un depósito de servicio autorizado, todas las obligaciones de Danby bajo esta garantía serán nulas.

Es responsabilidad del comprador transportar el aparato al centro de servicio autorizado más cercano.

Los cargos de transporte desde y hacia el lugar de servicio no están protegidos por esta garantía y son responsabilidad del comprador.

Nada dentro de esta garantía implica que Danby será responsable por cualquier daño que hayan sufrido los alimentos u otros contenidos de este aparato, ya sea debido a un defecto del aparato, o su uso, adecuado o inadecuado.

EXCLUSIONES

Salvo lo aquí indicado por Danby, no existen otras garantías, condiciones o representaciones, explícitas o implícitas, concretas o intencionales por parte de Danby o sus distribuidores autorizados y todas las demás garantías, condiciones o representaciones, incluyendo cualquier garantía, condiciones o representaciones bajo cualquier Acta de Venta de Productos o legislación o estatuto similar, quedan de esta forma expresamente excluidas. **Salvo lo aquí indicado, Danby no serán responsables por ningún daño a personas o bienes, incluyendo la propia unidad, sin importar su causa, o de ningún daño indirecto causado por el desperfecto de la unidad, y al comprar esta unidad, el comprador acepta por la presente, indemnizar y proteger a Danby contra cualquier reclamo por daños a personas o bienes causados por la unidad.**

CONDICIONES GENERALES

No se considerará ninguna de estas garantías o seguros cuando el daño o la necesidad de reparación sea el producto de los siguientes casos:

- 1) Falla del suministro eléctrico.
- 2) Daños en tránsito o durante el transporte de la unidad.
- 3) Alimentación incorrecta, como bajo voltaje, instalación eléctrica defectuosa o fusibles inadecuados.
- 4) Accidente, modificación, abuso o uso incorrecto del artefacto, tal como insuficiente ventilación del ambiente o condiciones de operación anormales (temperatura ambiente extremadamente alta o baja).
- 5) Utilización comercial o industrial (v.g., si el electrodoméstico no está instalado en una vivienda particular).
- 6) Incendio, daños por agua, robo, guerra, disturbios, hostilidades, actos de fuerza mayor como huracanes, inundaciones, etc.
- 7) Pedidos de servicio debido a desinformación del usuario.
- 8) Instalación inadecuada (v.g., instalación de un electrodoméstico independiente o uso de un aparato al aire libre que no esté aprobado para aplicaciones en exteriores, incluyendo pero no limitado a: garajes, patios, porches o cualquier lugar que no esté bien aislado o controlado por el clima).

Se requerirá una prueba de la fecha de compra para reclamaciones de garantía; conservar las facturas de venta. En el caso de que se requiera servicio de garantía, presente el comprobante de compra a nuestro depósito de servicio autorizado.

Servicio de Garantía
Acarreado Solamente

Danby Products Limited
PO Box 1778, Guelph, Ontario, Canada N1H 6Z9
Telephone: (519) 837-0920 FAX: (519) 837-0449

1-800-263-2629
04/17

Danby Products Inc.
PO Box 669, Findlay, Ohio, U.S.A. 45840
Telephone: (419) 425-8627 FAX: (419) 425-8629

MODEL • MODÈLE • MODELO

DDMW1125BBS

DANBY PRODUCTS LIMITED, ONTARIO, CANADA N1H 6Z9
DANBY PRODUCTS INC., FINDLAY, OHIO, USA 45840

Printed in China
Imprimé en Chine
Impreso en China