

Galanz

24" Electric Convection Wall Oven Installation Instructions

Model# GL1BO24FSAN
GL1BO24SBAN
GL1BO24BKAN



Thank you for purchasing a Galanz product. Please read this manual carefully for correct usage and safety, and keep for future reference. For service, support and warranty information, call 1-800-562-0738.

IMPORTANT: Save for local electrical inspector's use.

©2020 Galanz Americas Limited Company

CONTENTS

Important Safety Instructions	1
Installation Requirements	7
Tools and Parts	7
Location Requirements	7
Electrical Requirements.....	8
Installation Instructions	10
Unpack the Oven	10
Electrical Connection	11
Install Oven	14
Product View	15
Appliance Dimensions	15
Front View.....	15
Top View.....	16
Rear View	16
Side View.....	17
Cabinet Dimensions	18
Wall Mounted Unit	18
Unit under the Counter	19


IMPORTANT SAFETY INSTRUCTIONS

Warning and Important Safety Instructions appearing in this manual are not meant to cover all possible conditions and situations that may occur. Common sense, caution, and care must be exercised when installing, maintaining, or operating the appliance.

ALWAYS contact the manufacturer about problems or conditions you do not understand.

RECOGNIZE SAFETY SYMBOLS, WORDS, LABELS

 DANGER
Hazards or unsafe practices which WILL result in severe personal injury or death
 WARNING
Hazards or unsafe practices which COULD result in death or severe personal injury

 CAUTION
Hazards or unsafe practices which COULD result in minor personal injury. All safety messages will identify the hazard, tell you how to reduce the chance of injury, and tell you what can happen if the instructions are not followed.

Read and follow all instructions before using this appliance to prevent the potential risk of fire, electric shock, personal injury or damage to the appliance as a result of improper usage of the appliance. Use appliance only for its intended purpose as described in this manual.

To ensure proper and safe operation: Appliance must be properly installed and grounded by a qualified technician. **DO NOT** attempt to adjust, repair, service, or replace any part of your appliance unless it is specifically recommended in this manual. All other servicing should be referred to a qualified servicer.

SAVE THESE INSTRUCTIONS

IMPORTANT SAFETY INSTRUCTIONS

WARNING

To avoid risk of property damage, personal injury or death; follow information in this manual exactly to prevent a fire or explosion. **DO NOT** store or use gasoline or other flammable vapors and liquids in the vicinity of this or any appliance.

WARNING

To reduce the risk of fire, electric shock, or injury to persons, installation work and electrical wiring must be done by qualified standards, including fire-rated conditions.

WARNING

DO NOT use commercial oven cleaners inside the oven. Use of these cleaners can produce hazardous fumes or can damage the porcelain finishes.

WARNING

NEVER use this appliance as a space heater to heat or warm the room. Doing so may result in carbon monoxide poisoning and overheating of the drawer.

WARNING

To prevent possible damage to cabinets and cabinet finishes, use only materials and finishes that will not discolor or delaminate and will withstand temperatures up to 194°F (90°C). Heat and moisture resistant adhesive must be used if the product is to be installed in laminated cabinetry. Check with your builder or cabinet supplier to make sure that the materials meet these requirements.

SAVE THESE INSTRUCTIONS

IMPORTANT SAFETY INSTRUCTIONS



CAUTION

This appliance is not to be used by persons (including children) with reduced physical, sensory or mental capabilities, or lack of experience and knowledge, unless they have been given supervision or instruction concerning the use of the appliance by a person responsible for their safety. Children should be supervised to ensure that they do not play with the appliance. Children should not be left alone or unattended in area where appliance is in use. They should never be allowed to sit or stand on any part of the appliance.



WARNING

BURN/ELECTRIC SHOCK HAZARD

Make sure all controls are OFF and cavity is COOL before cleaning. Failure to do so can result in burns or electric shock.



WARNING

NEVER cover any slots, holes or passages in the cavity or cover an entire rack with materials such as aluminum foil. Doing so blocks air flow through the oven and may cause carbon monoxide poisoning. Aluminum foil linings may also trap heat, causing a fire hazard.



CAUTION

DO NOT store items of interest to children over the unit. Children climbing to reach items could be seriously injured.



WARNING

DO NOT cook on the oven bottom. This could result in damage to your appliance. Always use oven racks when cooking in the oven.

SAVE THESE INSTRUCTIONS

IMPORTANT SAFETY INSTRUCTIONS

WARNING

ELECTRIC SHOCK HAZARD

Disconnect the electric power at the main fuse or circuit breaker before replacing bulb.

NOTICE

Avoid any damage to oven vents. The vents need to be unobstructed and open to provide proper airflow for optimal oven performance.

WARNING

FIRE HAZARD

Remove all packing and foreign materials from the oven. Any material of this sort left inside may melt or burn when the appliance is used.

Failure to do so can result in death or fire.

WARNING

STATE OF CALIFORNIA PROP 65

The California Safe Drinking Water and Toxic Enforcement Act requires the Governor of California to publish a list of substances known to the state to cause cancer, birth defects or other reproductive harm and requires business to warn customers of potential exposure to such substances.

Exposure can be minimized by venting with an open window or using a ventilation fan or hood.

CAUTION

BURN HAZARD

The oven door, especially the glass, can get hot. Danger of burning: **DO NOT** touch the glass!

SAVE THESE INSTRUCTIONS

IMPORTANT SAFETY INSTRUCTIONS

WARNING

Wear Proper Apparel

Loose-fitting or hanging garments should never be worn while using the appliance.

WARNING

Storage in or on Appliance

Flammable materials should not be stored in an oven or near surface units.

WARNING

Do Not Use Water on Grease Fires

Smother fire or flame or use dry chemical or foam-type extinguisher.

WARNING

Use Only Dry Potholders

Moist or damp potholders on hot surfaces may result in burns from steam. Do not let potholder touch hot heating elements. Do not use a towel or other bulky cloth.

WARNING

Use Care When Opening Door

Let hot air or steam escape before removing or replacing food.

WARNING

Do Not Heat Unopened Food Containers

Build-up of pressure may cause container to burst and result in injury.

SAVE THESE INSTRUCTIONS

IMPORTANT SAFETY INSTRUCTIONS



WARNING

Keep oven vent ducts unobstructed

The oven vent is located above the right rear surface unit. This area could become hot during oven use. Never block this vent or place plastic or heat-sensitive items on it.



WARNING

Placement of Oven Racks

Always place oven racks in desired location while oven is cool. If rack must be moved while oven is hot, do not let potholder contact hot heating element in oven.



WARNING

DO NOT TOUCH HEATING ELEMENTS OR INTERIOR SURFACES OF OVEN

Heating elements may be hot even though they are dark in color. Interior surfaces of an oven become hot enough to cause burns. During and after use, do not touch, or let clothing or other flammable materials contact heating elements or interior surfaces of oven until they have had sufficient time to cool. Other surfaces of the appliance may become hot enough to cause burns – among these surfaces are (identification of surfaces – for example, oven vent openings and surfaces near these openings, oven doors, and windows of oven doors).

SAVE THESE INSTRUCTIONS

INSTALLATION REQUIREMENTS

TOOLS AND PARTS

Gather the required tools before starting installation. Read and follow the instructions provided with any tools listed here.

Tools Needed:

- Tape Measure
- Straightedge
- Pencil
- Phillips Screwdriver
- Level
- Wire Cutters and Wire Stripper
- Hand or Sabre Saw
- 1" Hole Saw
- Drill and Drill Bit
- Safety Gloves and Goggles
- Volt Meter (0-240VAC)

TECHNICAL DATA							
OVEN	DIMENSION		MODEL	Electrical Rating and Maximum Connected Load			
				240 Volts 60 Hz		208 Volts 60 Hz	
SINGLE OVEN	24"	(60 cm)	GL1BO24FSAN GL1BO24BKAN GL1BO24SBAN	Amperes	Watts	Amperes	Watts
				13.3	3340	11.7	2600

LOCATION REQUIREMENTS

IMPORTANT: Observe all governing codes and ordinances.

- Cabinet opening dimensions that are shown must be used. Given dimensions provide minimum clearance with oven.
- Recessed installation area must provide complete enclosure around the recessed portion of the oven.

- The oven support surface must be a minimum ¾" (2 cm) thick plywood platform. The platform must support 100 lbs (45 kg), and be solid, level and flush with the bottom of the cabinet cutout.
- Grounded electrical supply is required. See "Electrical Requirements" section.
- Electrical supply junction box should be located 3" (7.6 cm) maximum below the support surface when the oven is installed in a wall cabinet. A 1" (2.5 cm) minimum diameter hole should have been drilled in the right rear or left rear corner of the support surface to pass the appliance cable through to the junction box.

NOTE: For undercounter installation, it is recommended that the junction box be located in the adjacent right or left cabinet. If you are installing the junction box on rear wall behind oven, it is recommended that the junction box be recessed and located in the upper center of the cabinet.

- Oven support surface must be solid, level and flush with bottom of cabinet cutout. Floor must be able to support a single oven weight of 129 lbs (59 kg) for 27" (68.6 cm) models.

IMPORTANT: To avoid damage to your cabinets, check with your builder or cabinet supplier to make sure that the materials used will not discolor, delaminate or sustain other damage. This oven has been designed in accordance with the requirements of UL and CSA International and complies with the maximum allowable wood cabinet temperatures of 194°F (90°C).

INSTALLATION REQUIREMENTS

ELECTRICAL REQUIREMENTS

If codes permit and a separate ground wire is used, it is recommended that a qualified electrical installer determine that the ground path is adequate and wire gauge is in accordance with local codes. Do not use an extension cord.

In U.S.A.:

Be sure that the electrical connection and wire size are adequate and in conformance with the National Electrical Code, ANSI/NFPA No. 70-latest edition and all local codes and ordinances.

A copy of the above code standards can be obtained from:

National Fire Protection Association
One Batterymarch Park
Quincy, MA 02269

In Canada:

Be sure that the electrical connection and wire size are adequate and in conformance with CSA standard C22.1, Canadian Electrical Code, Part 1 - latest edition, and all local codes and ordinances.

A copy of the above code standards can be obtained from:

Canadian Standards Association
178 Rexdale Blvd.
Toronto, ON M9W 1R3 CANADA

INSTALLATION REQUIREMENTS



WARNING

ELECTRIC SHOCK HAZARD

The electrical power to the oven branch circuit must be shut off while line connections are being made. **Do not** use an extension cord with this appliance. Electrical ground is required on this appliance. The free end of the green wire (the ground wire) must be connected to a suitable ground. This wire must remain grounded to the oven.

If cold water pipe is interrupted by plastic, non metallic gaskets, union connections or other insulating materials. **Do not** use for grounding.

Do not ground to a gas pipe. **Do not** have a fuse in the **neutral** or **grounding** circuit. A fuse in the **neutral** or **grounding** circuit could result in an electric shock.

Check with a qualified electrician if you are in doubt as to whether the appliance is properly grounded. Failure to do so could result in death, fire or electric shock.

Electrical Connection

To properly install your oven, you must determine the type of electrical connection you will be using and follow the instructions provided for it here.

- Oven must be connected to the proper electrical voltage and frequency as specified on the model/serial number rating label. All models are dual rated, and designed to be connected to either 208/240V AC, 60Hz, 3-wire or 4-wire, two-phase power supply.

Circuit Required	
208V, 60 Hz	240V, 60 Hz
12 Amp	15 Amp

- The electrical supply should be a 3-wire or 4-wire, two-phase AC. Install a suitable conduit box (not furnished). An appropriately sized, UL conduit connector must be used to correctly attach the conduit to the junction box.

IMPORTANT: Local Codes may vary; installation electrical connections and grounding must comply with all applicable local codes.

If local codes permit grounding through the electrical supply neutral, connect both the white neutral wire and the green ground wire from the oven to the white neutral electrical supply wire.

INSTALLATION INSTRUCTIONS

UNPACK THE OVEN



WARNING

EXCESSIVE WEIGHT HAZARD

Use two (2) or more people to move and install oven. Failure to do so can result in back or other injury.

1. Using two (2) or more people, remove the oven and set it on cardboard to avoid floor damage.
NOTE: Do not use the handle or any portion of the front frame for lifting.
2. Remove the shipping materials and tape from the oven.
3. Remove the hardware package from inside the bag containing literature.
4. Remove and set aside racks and other parts from inside the oven.
5. Move oven and cardboard close to the oven's final location.

INSTALLATION INSTRUCTIONS

ELECTRICAL CONNECTION

DIRECT WIRE



WARNING

Electric Shock Hazard

Disconnect power before servicing.
Use 8 gauge copper or 6 gauge aluminum wire.
Electrically ground range.
Failure to do so can result in death, fire or electric shock.

Be sure your appliance is properly installed and grounded by a qualified technician. Ask your dealer to recommend a qualified technician or an authorized repair service.

This appliance is manufactured with a green GROUND wire connected to the oven chassis. After making sure that the power has been turned off, connect the flexible conduit from the oven to the junction box using a UL listed or CSA approved conduit connector. The Grounded Neutral and Ungrounded Neutral Graphics on the following pages and the instructions provided, present the most common way of connecting the ovens. Your local codes and ordinances, of course, take precedence over these instructions. Complete electrical connections according to local codes and ordinances.

3-WIRE CONNECTION (GROUNDED NEUTRAL)



WARNING

Electric Shock Hazard

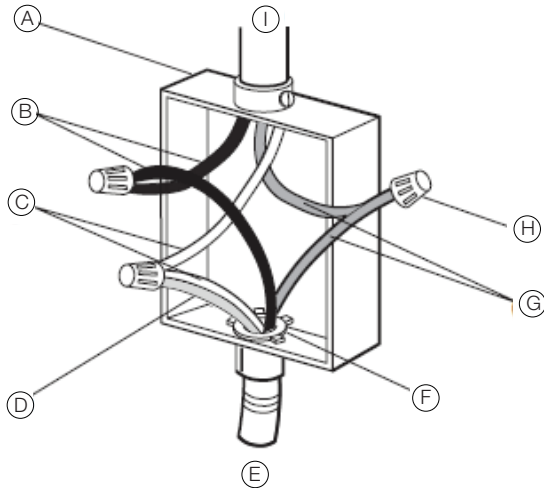
Grounding through the neutral conductor is prohibited for new branch-circuit installations (1996 NEC); mobile homes; and recreational vehicles, or in an area where local codes prohibit grounding through the neutral conductor. For installations where grounding through the neutral conductor is prohibited, see the Ungrounded Neutral graphic. Use grounding terminal or lead to ground unit. Connect neutral terminal or lead to branch circuit neutral in usual manner. Failure to do so can result in death, fire or electric shock.

INSTALLATION INSTRUCTIONS

3-Wire Cable from Home Power Supply - U.S. Only

IMPORTANT: Use the 3-wire cable from home power supply where local codes permit a 3-wire connection.

Grounded Neutral



- Ⓐ Junction Box
- Ⓑ Black Wires
- Ⓒ Neutral(White) Wires
- Ⓓ Ground(Green or Bare)Wires
- Ⓔ Cable from Oven
- Ⓕ UL listed or CSA Approved Conduit Connector
- Ⓖ Red Wires
- Ⓗ UL listed or CSA approved Wire Connectors
- Ⓘ House Electrical Supply

1. Disconnect power before servicing.
2. Connect the 2 black wires **B** together using a UL listed or CSA approved wire connector.
3. Connect the 2 neutral (white) wires **C** and the ground (green or bare) wire **D** (of the oven cable) using a UL listed or CSA approved wire connector.
4. Connect the 2 red wires **G** together using a UL listed or CSA approved wire connector.
5. Install junction box cover.

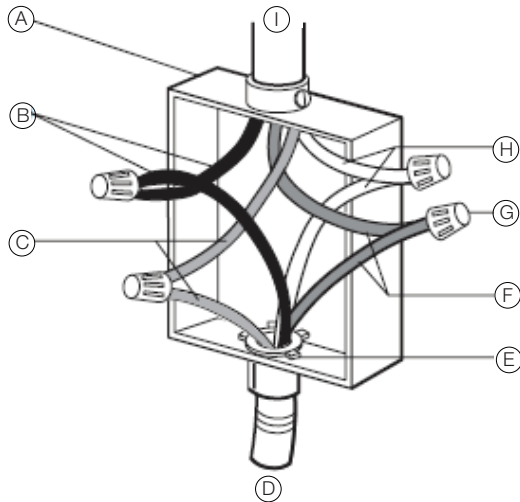
INSTALLATION REQUIREMENTS

4-WIRE CONNECTION (UNGROUNDING NEUTRAL)

3-Wire Cable from Home Power Supply

IMPORTANT: Use the 4-wire cable from home power supply in the U.S. where local codes do not allow grounding through neutral, New Branch circuit installations (1996 NEC), mobile homes and recreational vehicles, new construction and in Canada.

Ungrounded Neutral



- Ⓐ Junction Box
- Ⓑ Black Wires
- Ⓒ Red Wires
- Ⓓ Cable from Oven

- Ⓔ UL listed or CSA Approved Conduit Connector
- Ⓕ Ground (Green or Bare) Wires

- Ⓖ UL listed or CSA approved Wire
- Ⓗ Connector
- Ⓘ Neutral (White) Wires House Electrical Supply

1. Disconnect power before servicing.
2. Connect the 2 black wires **B** together using a UL listed or CSA approved wire connector.
3. Connect the 2 red wires **C** together using a UL listed or CSA approved wire connector.
4. Connect the 2 neutral (white) wires **H** together using a UL listed or CSA approved wire connector.
5. Connect the ground (green or bare) wire **F** from the oven cable to the ground (green or bare) wire (in the junction box) using a UL listed or CSA approved wire connector.
6. Install junction box cover.

INSTALLATION REQUIREMENTS

INSTALL OVEN



WARNING

Excessive Weight Hazard

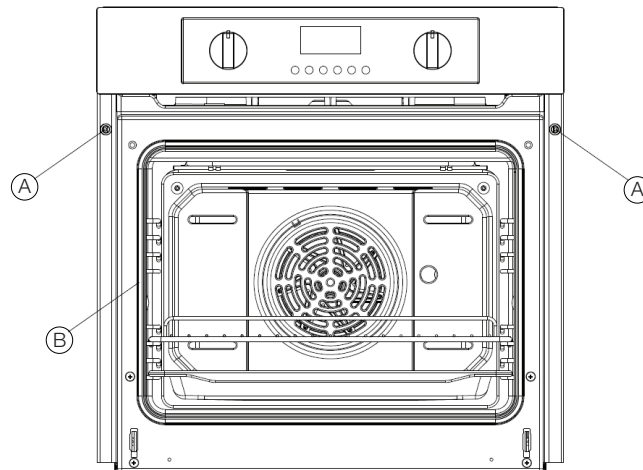
Use two (2) or more people to move and install oven. Failure to do so can result in back or other injury.

1. Using two (2) or more people, lift the oven partially into the cabinet cutout. Use the oven opening as an area to grip.

NOTE: Push against seal area of the oven front frame when pushing the oven into the cabinet. Do not push against the outside edges.

2. Push the oven completely into the cabinet until the back surface of the front frame touches the front wall of the cabinet. Center the oven within the cabinet cutout.

NOTE: With the oven door open, you will see two (2) holes on each side of the front frame of the oven door opening.



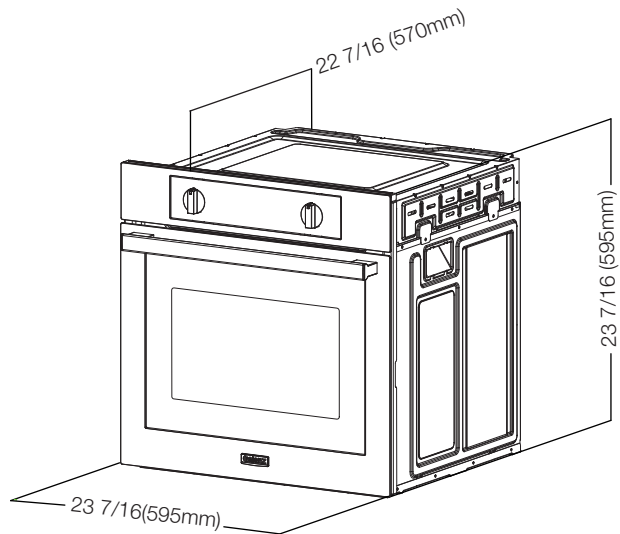
(A) Holes

(B) Seal Area of Oven

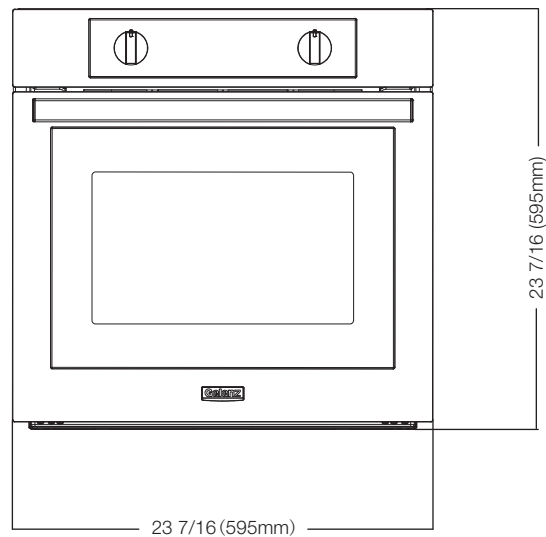
3. Drill 1/8" pilot holes, through the four (4) holes in the front frame and into the front wall of the cabinet.
4. Using the four (4) screws (provided), install the oven to the cabinet. Replace the oven racks.
5. Reconnect power to the oven.

PRODUCT VIEW

Appliance Dimensions

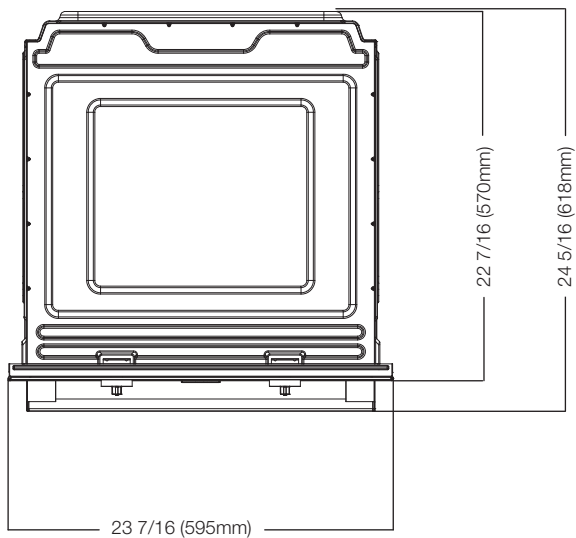


Front View

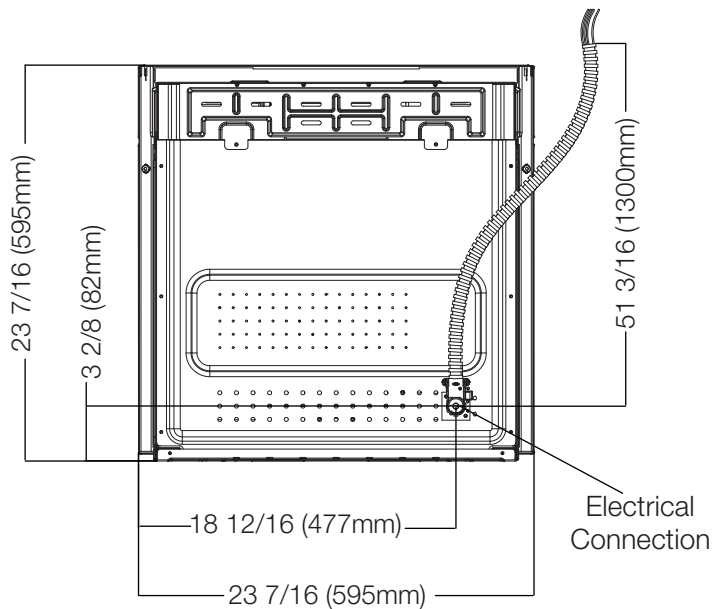


PRODUCT VIEW

Top View

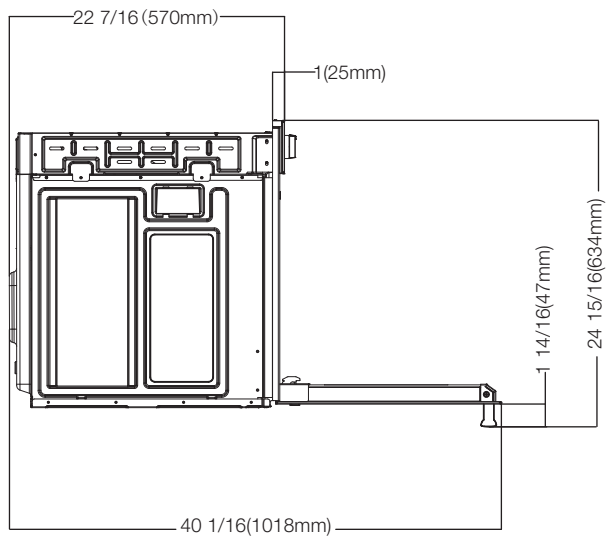


Rear View



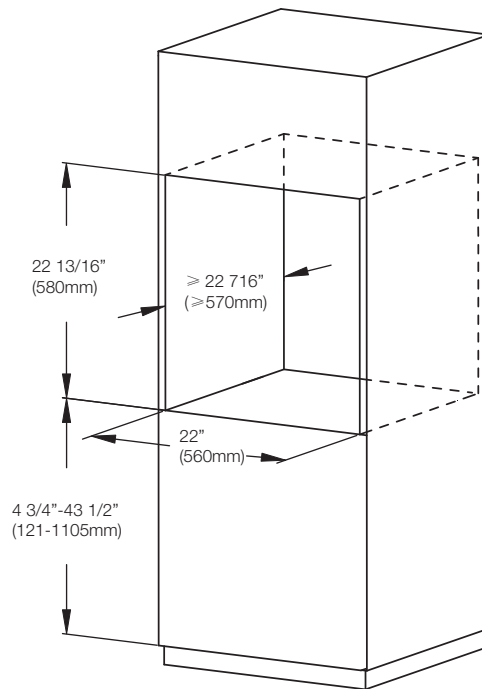
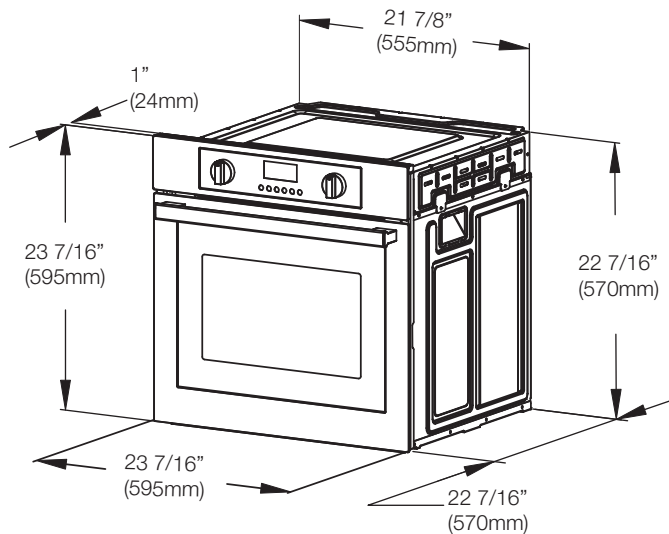
PRODUCT VIEW

Side View



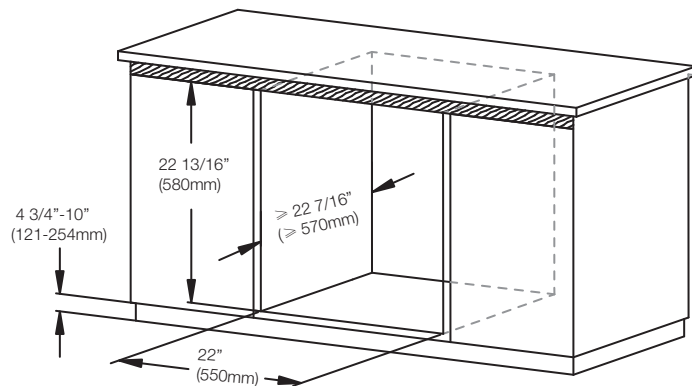
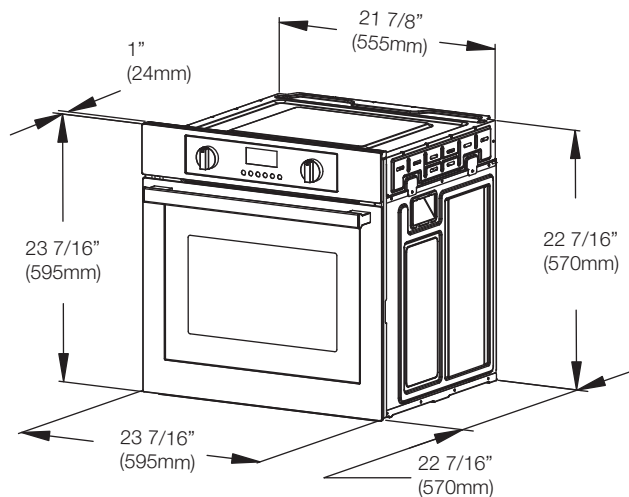
CABINET DIMENSIONS

Wall Mounted Unit



CABINET DIMENSIONS

Unit Under The Counter



IMPORTANT

Do Not Return This Product To The Store
If you have a problem with this product, please contact the
“Galanz Customer Satisfaction Center” at
1-800-562-0738.

**DATED PROOF OF PURCHASE, MODEL #, AND SERIAL #
REQUIRED FOR WARRANTY SERVICE**

IMPORTANT

Ne pas Réexpédier ce Produit au Magasin
Pour tout problème concernant ce produit, veuillez contacter
le service des consommateurs “Galanz Customer Satisfaction Center”
au 1-800-562-0738.

UNE PREUVE D’ACHAT DATEE EST REQUISE POUR BENEFICIER DE LA GARANTIE.

IMPORTANTE

No regrese este producto a la tienda
Si tiene algún problema con este producto, por favor contacte el
“Centro de Servicio al Consumidor de Galanz”
al 1-800-562-0738 (Válido solo en E.U.A).

**NECESITA UNA PRUEBA DE DE COMPRA FECHADA, NÚMERO DE MODELO
Y DE SERIE PARA EL SERVICIO DE LA GARANTÍA**

**Made in China
Fabriqué en Chine
Hecho en China**

Galanz