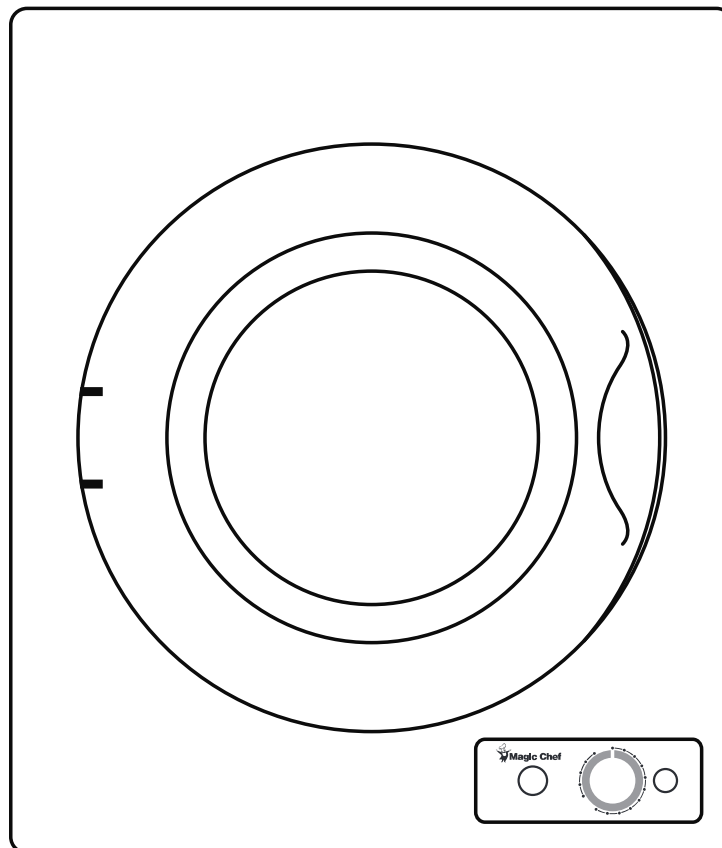




2.6 Cu. Ft. Compact Dryer

User's Manual



PRODUCT REGISTRATION

Thank you for purchasing a Magic Chef® product. The first step to protect your new product is to complete the product registration on our website: www.mcappliance.com/register. The benefits of registering your product include the following:

1. Registering your product will allow us to contact you regarding a safety notification or product update.
2. Registering your product will allow for more efficient warranty service processing when warranty service is required.
3. Registering your product could act as your proof of purchase in the event of insurance loss.

Once again, thank you for purchasing a Magic Chef® product.



CONTENTS

- 02 PRODUCT REGISTRATION
- 04 PRECAUTIONS
- 05 IMPORTANT SAFETY INSTRUCTIONS
- 06 INSTALLATION
- 09 SPECIFICATIONS
- 10 PARTS AND FEATURES
- 11 OPERATION
- 15 CARE AND MAINTENANCE
- 17 TROUBLESHOOTING
- 18 WARRANTY

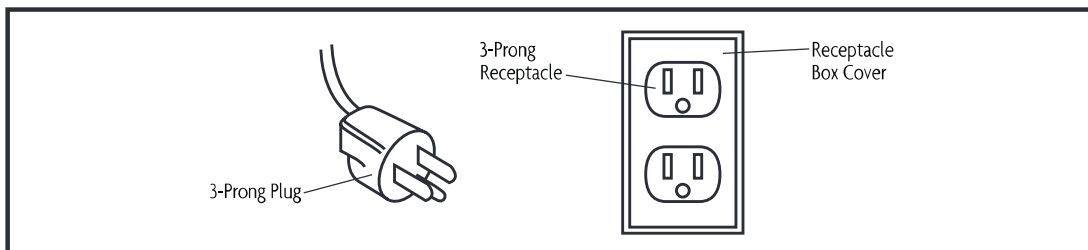
PRECAUTIONS

READ THIS GUIDE CAREFULLY

The user guide is intended to help you operate and maintain your new appliance properly. Keep it handy to answer your questions. If you do not understand certain aspects or you need additional help, please call Magic Chef® Customer Service: 1-888-775-0202. Keep proof of the original purchase date (i.e. sales receipt) with this guide to establish the warranty period.

GROUNDING INSTRUCTIONS

This appliance must be grounded. In the event of an electrical short circuit, the grounding plug reduces the risk of electric shock by providing an escape wire for electric current. This appliance is equipped with a power cord that has a grounding wire with a grounding plug. The plug must be plugged into an electrical outlet that is properly installed and grounded.



This appliance requires a standard 120 Volt, 60 Hz electrical outlet with a 3-prong ground receptacle. To prevent accidental injury, the cord should be secured behind the appliance and not left exposed or dangling.

WARNING: Improper use of the grounding plug and/or outlet can result in a risk of electric shock. Consult a qualified electrician or serviceman if the grounding instructions are not completely understood, if doubt exists as to whether the appliance is properly grounded, or either:

- If it is necessary to use an extension cord, use only a 3-wire extension cord that has a 3-blade grounding plug, and a 3-slot receptacle that will accept the plug on the appliance. The marked rating of the extension cord shall be equal to or greater than the electrical rating of the appliance.
- If the power supply cord is too short, have a qualified electrician or serviceman install an outlet near the appliance.

WARNING: DO NOT cut or remove the third (ground) prong from the power cord under any circumstances.

IMPORTANT SAFETY INSTRUCTIONS

WARNING: To reduce the risk of fire, electric shock, and/or injury to persons, basic safety precautions should always be followed when using electrical appliances.

When using electrical appliances, basic safety precautions should be followed, including the following:

1. Read all instructions before using the appliance.
2. Risk of child entrapment and suffocation; never allow children to operate, play with, or crawl inside the appliance.
3. This appliance must be grounded. Connect only to a properly grounded outlet. See the “GROUNDING INSTRUCTIONS” section found on page 4.
4. Install or locate the appliance only in accordance with the provided installation instructions.
5. DO NOT place the dryer in steamy rooms or where the dryer is directly exposed to rain. Moisture may destroy the electrical insulation causing an electrical shock hazard.
6. Use the dryer only for its intended use as described in the user guide. This type of dryer is specifically designed to dry clothes. It is not designed for industrial or laboratory use.
7. As with any appliance, close supervision is necessary when used around children or incapacitated persons.
8. DO NOT operate the dryer if it has a damaged power cord or plug, if it is not working properly, or if it has been damaged or dropped in any manner.
9. The dryer should be serviced only by qualified service personnel. Contact the nearest authorized service facility for examination, repair, or adjustment.
10. DO NOT cover or block any openings on the appliance.
11. DO NOT put your hand in the spin basket during operation. The spin basket is rotating at a high speed and the rotating parts may cause injury to your hand.
12. DO NOT immerse the power cord or plug in water.
13. Keep the cord away from all heated surfaces.
14. DO NOT store or use gasoline or any other flammable vapors and liquids in the vicinity of this or any other appliance. The fumes can create a fire hazard or explosion.
15. When cleaning the surfaces of the door and the frame, use only mild, nonabrasive soaps or detergents applied with a sponge or soft cloth. Never clean appliance parts with flammable fluids. The fumes can create a fire hazard or explosion.

SAVE THESE INSTRUCTIONS

INSTALLATION

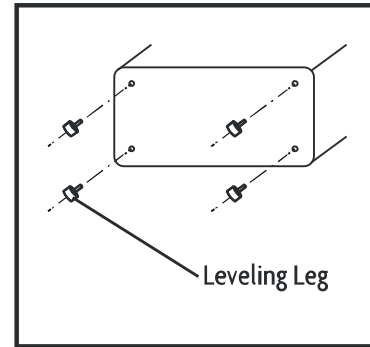
LOCATION

1. Examine the dryer after unpacking. Check for damage such as a misaligned door, broken door or dent in the cavity. If any damage is visible, DO NOT install, and notify your dealer immediately.
2. Check to ensure that you have the wall-mounting kit and four (4) leveling legs.
3. Install the dryer on a flat, level surface. If the surface is uneven, adjust the leveling legs. If you are going to wall mount your dryer, use the included wall-mounting kit.
4. Install the dryer away from direct sunlight; direct sunlight may affect the acrylic coating, plastic and electrical components. The room temperature should not fall below 32°F.
5. Check the ventilation. DO NOT block the air vents, especially when the dryer is installed on a carpeted floor. If the air vents are blocked during operation, the dryer may overheat and eventually fail. For proper ventilation, allow at least 5 inches of space between the dryer top, sides, rear, and adjacent surfaces.
6. Install the dryer away from heating appliances and water taps. Keep the dryer away from heat, steam, or splashing liquids. Never splash water onto the control panel. These things can adversely affect the wiring and electrical conduction contacts of the dryer.
7. Check the power supply.
 - a) Check your local power source. The dryer requires a current of approximately 12 Amperes, 120 Volts, and a 60 Hz grounded outlet.
 - b) A short power-supply cord is provided to reduce the risks resulting from becoming entangled in or tripping over a longer cord. Ensure that the dryer does not stand on its power cord.
 - c) Use of an extension cord is not recommended. If an extension cord is used:
 - The marked electrical rating of the cord set or extension cord should be at the very least equal to the electrical rating of the appliance.
 - The extension cord must be a grounding type, 3-wire cord.
 - A longer cord should be arranged so that it will not drape over the appliance where it can be pulled on by children or tripped over unintentionally.
 - d) Plug the dryer into a properly installed receptacle box that is fully grounded. DO NOT under any circumstances modify, cut or remove the third (ground) prong from the power cord. Any questions concerning power and/or grounding should be directed toward a certified electrician or an authorized service center.

ADJUSTING THE LEVELING LEGS

The dryer is shipped with a bag containing the user guide and four (4) leveling legs. See the illustration to the right to install and adjust the leveling legs.

If the dryer is placed on an uneven or weak surface, noise or vibrations will occur from the appliance. If the floor is uneven, adjust the height level of the leveling legs accordingly. **DO NOT** insert pieces of wood or any other objects under the legs.

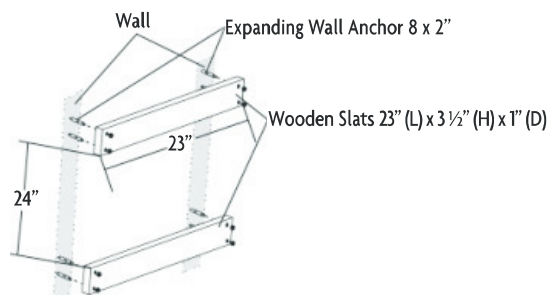


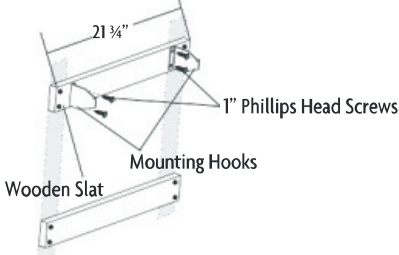
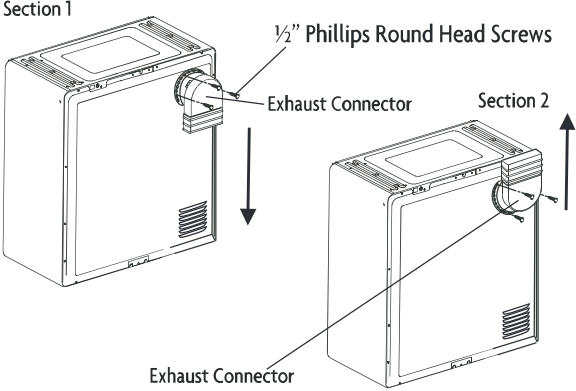
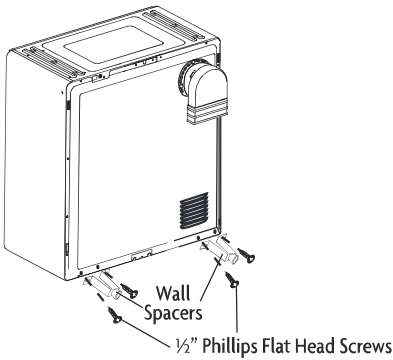
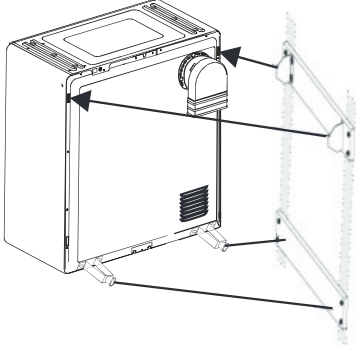
WALL-MOUNTING INSTRUCTIONS

Tools and Parts Required for Plaster and/or Wood Installation (Not Included)	
Drill & Drill Bit	1
Phillips Head Screwdriver	1
Expanding Wall Anchor	8
Wooden Slats	2

Wall-Mounting Kit Includes	
Wall-Mounting Hooks	2
1" Phillips Head Screws	4
Plastic Spacers	2
½" Phillips Flat Head Screws	4
Exhaust Connector	1
½" Phillips Round Head Screws	3

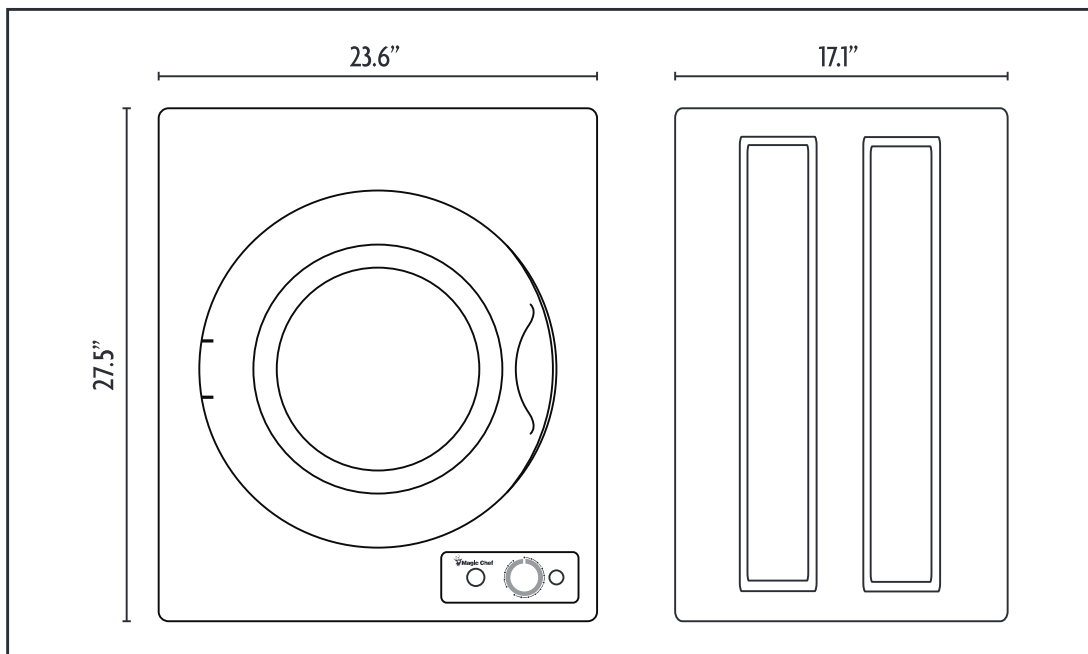
Wall-Mounting Instructions	
*	<p>NOTE: It is recommended to complete the following procedure with at least 2 people.</p> <p>NOTE: As wall materials vary, the supplied hardware for fixing to the wall may be inappropriate for your wall type. Consult your local hardware / home improvement center for suggestions on the necessary hardware for your particular wall type.</p>
1	<p>Determine the position where you will be installing the mounting hooks.</p> <ul style="list-style-type: none"> This dryer is not designed to sit on top of your washing machine. A minimum of 2 inches is required between the top of the dryer and the ceiling above to allow easy installation and adequate spacing for exhaust. <p>If mounting above a top load washing machine, allow sufficient spacing to open the lid of the washer. In the case of a front loading washer, allow sufficient breathing space.</p>
2	<p>Although the supplied mounting hooks can be installed directly to the wall using the existing wooden studs, the preferred method of installation is using wooden slats that provide a flat, level installation surface and added stability to the whole wall installation.</p>
3	<p>Use two wooden slats (not included) between the studs to mount the hooks. Recommended wooden slat size is 23" (L) x 3½" (H) x 1" (D).</p> <p>When using the wooden slats to install on drywall material, you must use expansion wall anchor bolts to safely secure the slats to the drywall.</p>



4	<p>Install the wall-mounting hooks to the wooden slats installed in the previous step.</p> <p>Using the (4) 1" Phillips head screws included, affix the mounting hooks to the wooden slats as shown in the diagram to the right.</p>	 <p>21 3/4"</p> <p>1" Phillips Head Screws</p> <p>Mounting Hooks</p> <p>Wooden Slat</p>
5	<p>Install the exhaust connector as shown in the illustration using the (3) 1/2" long Phillips round head screws included.</p> <ul style="list-style-type: none"> • For a downward exhaust, join the sections (1) pointing downward. • For an upward exhaust, join the sections (2) pointing upward 	 <p>Section 1</p> <p>1/2" Phillips Round Head Screws</p> <p>Exhaust Connector</p> <p>Section 2</p> <p>Exhaust Connector</p>
6	<p>Install the lower wall spacers (included) using the (4) 1/2" long Phillips flat head screws (included).</p> <p>These spaces are required when installing the unit on the wall to allow the necessary ventilation for efficient operation.</p> <p>Failure to install the spacers will both reduce the ventilation needed to operate your unit as well as put the appliance in a tilted position on the wall which could present a possible unstable wall installation.</p>	 <p>Wall Spacers</p> <p>1/2" Phillips Flat Head Screws</p>
7	<p>Mounting the dryer to the wall hanging assembly.</p> <p>With the assistance of a 2nd person, lift the dryer and align the mounting holes at the rear of the dryer with the mounting hooks.</p> <p>Tilting the dryer to a 45° angle, insert the hanging brackets into the mounting holes on the dryer as shown in the figure to the right.</p> <p>Once the dryer mounts are in place, slowly lower the dryer in place and check all installation points for stress or weakened contact.</p>	

SPECIFICATIONS

Power Supply	120V AC, 60Hz
Capacity	2.6 cu. ft.
Unit Dimensions	23.6" x 27.5" x 17.1" (W x H x D)
Net Weight	48.4 lbs.



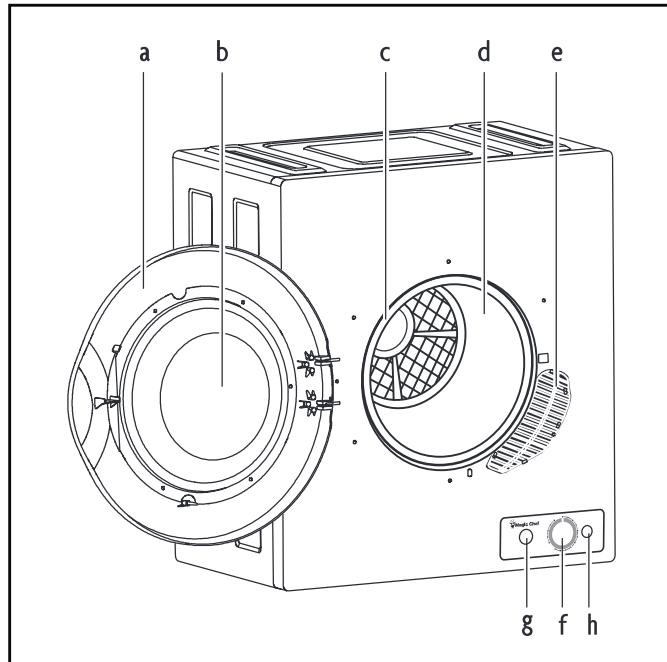
* Due to continuing product development, specifications and design may be subject to change without prior notice.

PARTS AND FEATURES

FRONT

The appearance of your model may slightly differ from the illustrations in this manual.

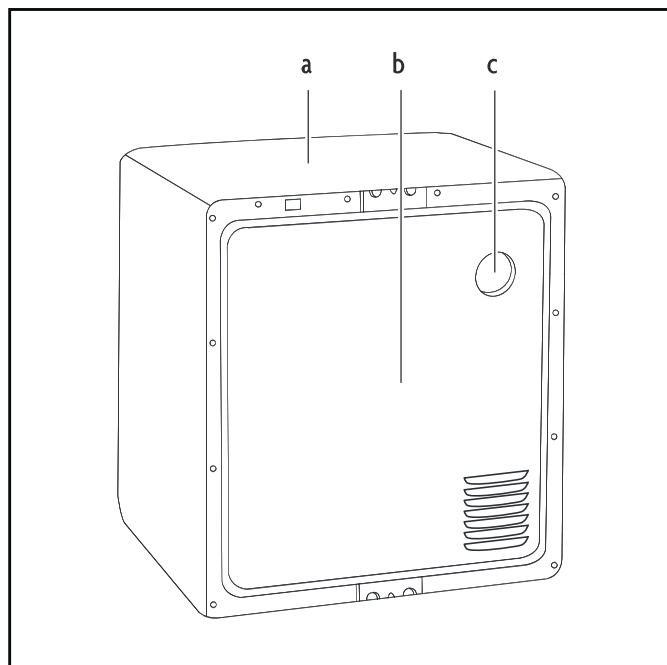
- a. Door
- b. Window
- c. Door Gasket
- d. Drum
- e. Air Intake Shroud
- f. Timer
- g. Sensor Dry
- h. Mode



BACK

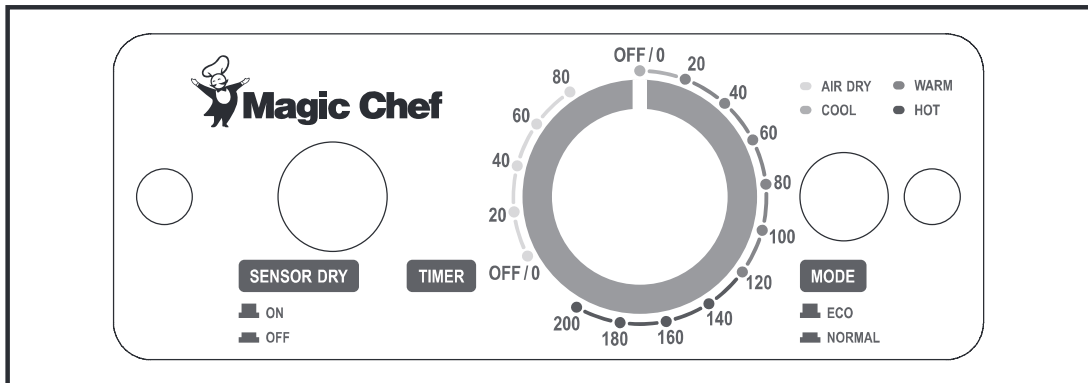
The appearance of your model may slightly differ from the illustrations in this manual.

- a. Dryer Housing
- b. Back Cover
- c. Exhaust Vent



OPERATION

CONTROL PANEL



MODE SELECTOR

NORMAL: By default, the dryer operates under the 'NORMAL' mode (the mode button is pressed/pushed in), in combination with the presets, 'SENSOR DRY' and 'TIMER', for optimal drying performance. The 'SENSORY DRY' function can be turned 'ON' or 'OFF', while the 'TIMER' function can be adjusted to your drying needs by using the dial and temperature guidelines.

ECO: The dryer operates using an energy-saving mode, independent of the 'SENSOR DRY' and the 'TIMER' functions. The dryer will automatically run in 'ECO' mode for a total duration of 270 minutes. The dryer will begin air drying the laundry for 150 minutes with cool air, followed by another 120 minutes using hot air by activating the heating element. Simply open and load the dryer, close the door, then depress the 'Mode' button, and the dryer will run in the 'ECO' mode.

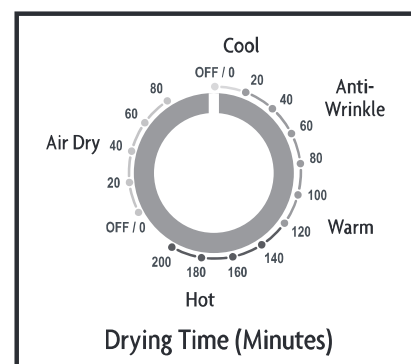
SENSOR DRY SELECTOR

ON: When the drying time reaches 120 minutes, the sensor dry function measures the moisture and humidity levels during the cycle and automatically adjusts the heating time for a more efficient drying performance. As a result, the dryer may stop generating heat in advance of the 'TIMER' preset, but the preset cycle continues by pushing cool air until the drying time finishes in the 'OFF/0' position.

OFF: The dryer operates according to the time set by the 'TIMER' until the preset finishes in the 'OFF/0' position.

TIMER SETTING

- **OFF:** When the 'TIMER' is in the 'OFF/0' position, power is not supplied to the unit. Turning the dial clockwise to the desired program will start the dryer.
- **COOL:** This setting is generally used to cool items that have just been dried to help prevent creasing. It will generate cool air, instead of the motor pushing heat into the drum of the dryer.



- **ANTI-WRINKLE:** For laundry loads that are difficult to iron (e.g. cotton shirts and linen), set the 'TIMER' between 30-60 minutes, depending on the load size. Once the cycle stops, the items will still contain moisture, thereby making the ironing process easier.
- **WARM:** This setting is used to dry and cool, and depending on the material, leave items wrinkle free. Set the 'TIMER' by turning the dial clockwise between 60-150 minutes.
- **HOT:** This setting is used for drying large quantities or bulky items (i.e. the dryer drum is more than 1/2 full). Set the 'TIMER' by turning the dial clockwise to 150+ minutes.
- **AIR DRY:** This setting is used without any heat to freshen items by letting cool air move through it (e.g. clothes that have been stored for an extended period of time).

DRYING TIME REFERENCE

Drying Capacity	Approximate Drying Times
3 Lbs. (Three Pounds)	30 Minutes
5 Lbs. (Five Pounds)	60 Minutes
7 Lbs. (Seven Pounds)	120 Minutes
9 Lbs. (Nine Pounds)	200 Minutes

NOTE: Load weights and respective drying times are approximate.

SORTING AND LOADING LAUNDRY

For the best results, your laundry should be sorted properly. Separate the lint shedders (e.g. chenille and terry cloth) from the lint collectors (e.g. synthetics, flannels, velvets, and corduroys). Separate non-colorfast from light colored items, heavy fabrics from lightweight fabrics, and permanent press from heavy, bulky items.

Delicate clothes, especially those with ribbon or lace, should be placed in a nylon mesh bag before drying to prevent tangling.

NOTE: Before drying, check all pockets. If nails, coins, or pins remain in pockets, the objects may damage the dryer and/or clothes. Place your laundry into the dryer evenly. Uneven laundry may cause noise or vibrations.

Clothes with zippers, buckles buttons or fasteners should be closed or turned inside out to reduce the impact of noise between the metal and the dryer's drum.

DO NOT TUMBLE DRY: Read all permanent care labels carefully. If the care label on the garment reads "Drip Dry", "Line Dry", or "Dry Flat", DO NOT dry the garments in the dryer. In addition, certain materials will melt or become dangerously flammable if heated, while other garments may lose their shape. Other items that should not be tumble dried are the following:

1. Garments that have been dry cleaned at home.
2. Garments made from wool, unless the garment manufacturer recommends it.
3. Garments with fiberglass materials.
4. Garments containing vinyl, rubber, plastic or similar materials, including bras, tennis shoes, rubber galoshes, bath mats, rugs, bibs, baby pants, plastic bags, pillows, etc., as they may melt or burn. Under certain circumstances, some rubber materials, when heated, can produce fire by spontaneous combustion.

NOTE: DO NOT use fabric softeners or related products that help eliminate static, unless recommended by the manufacturer of the fabric softener or related products.

























FABRIC CARE

- For optimum results, load the dryer with cloths of similar fabric, weight and construction.
- Check for stains that may not have been removed in washing. The dryer heat may permanently set some stains.
- Separate dark and light colored items, like you do when washing laundry.
- **DRYING TIME:** The drying time depends on many factors, such as the type of fabric. In addition, the drying duration is dependent on how dry you want the laundry to be when taken out of the dryer.
- **DRYER ADDED FABRIC SOFTENERS:** Certain dryer added fabric softeners may cause damage to automatic dryers. Therefore, only use fabric softeners with written assurance from the manufacturer that their softeners can safely be used in your dryer.
- **SINGLE ITEMS:** Use the timed drying mode when there is only one item to be dried. This is because the moisture sensor in the automatic drying mode may disable the heating element too early in the cycle, thereby failing to adequately dry the garment.
- **OVERDRYING GARMENTS:** When using the timed drying mode, it is possible to overdry the garments, especially if the timer has been set too long. This can cause the fabrics to wrinkle, shrink, or feel harsh. Synthetic materials can also become charged with static electricity.

NOTE: Refer to the Fabric Care Chart on page 14 for commonly used fabric care symbols.

NOTE: Always remove the laundry load from the dryer as soon as possible.

FABRIC CARE CHART

Fabric Care Symbol	Definition
	Resistant material
	Delicate fabric
	May be washed at 200°F/95°C
	May be washed at 140°F/60°C
	May be washed at 105°F/40°C
	May be washed at 85°F/30°C
	Item may be hand washed
	Dry clean only
	Can be bleached in cold water
	Do not bleach
	Can be ironed at 392°F/200°C max
	Can be ironed at 302°F/150°C max
	Can be ironed at 212°F/100°C max
	Do not iron
	Dry clean with any solvent
	Dry clean with perchloride, lighter fuel, pure alcohol or R113 only
	Dry clean with aviation fuel, pure alcohol or R113 only
	Do not dry clean
	Dry flat
	Can be hung to dry
	Dry on clothes hanger
	Tumble dry, normal heat
	Tumble dry, reduced heat
	Do not tumble dry

CARE AND MAINTENANCE

UNIT

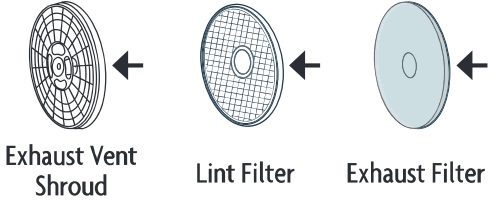
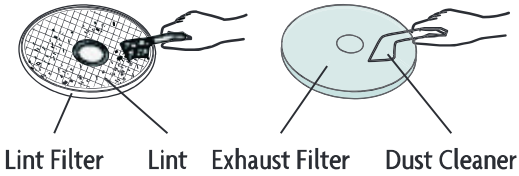
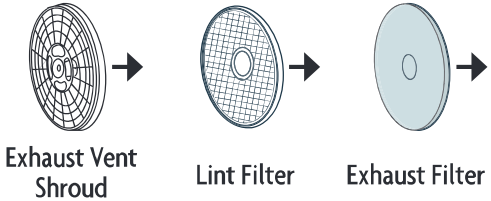
The dryer should be cleaned regularly, including the control panel, with a soft cloth and non-abrasive household detergents. The use of harsh detergent or abrasives is not recommended. Do not pour water on the dryer or control panel. Use a soft cloth to dry the surfaces. Failure to maintain the dryer in a clean condition could lead to deterioration of the surface which could adversely affect the life of the appliance and possibly result in a hazardous situation.

NOTE: Unplug the power cord before cleaning any part of the dryer.

LINT FILTER ASSEMBLY

The dryer should be cleaned regularly, including the lint filter assembly. Refer to the Lint Filter Assembly chart when cleaning the filter assembly.

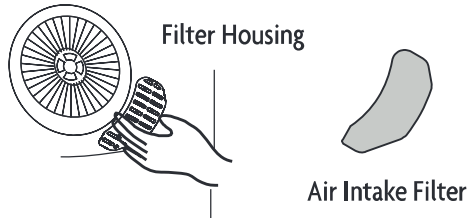

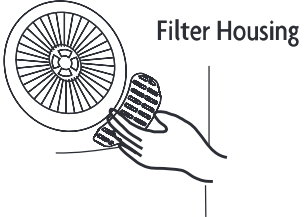
NOTE: Unplug the power cord before cleaning any part of the dryer.

Lint Filter Assembly	
1	Remove the lint filter by pulling outward using the four (4) grip holes in the filter assembly. NOTE: The lint filter assembly must be installed when operating the dryer. The lint filter assembly must be cleaned before and after each use
2	The lint filter assembly consists of three (3) parts: exhaust vent shroud, lint filter, and exhaust filter. 
3	Separate the three (3) parts of the assembly and clean the individual pieces using a soft brush or a vacuum cleaner. Do not damage the filter assembly. 
4	Reassemble the filter assembly in the following order: exhaust filter - lint filter - exhaust vent shroud. Align the entire assembly with the recessed position in the back of the drum and press firmly until the entire filter assembly is secured 

AIR INTAKE FILTER

The dryer should be cleaned regularly, including the air intake filter. Refer to the Air Intake Filter chart when cleaning the filter.

NOTE: Unplug the power cord before cleaning any part of the dryer.

Air Intake Filter	
1	Remove the air intake filter by pulling outward while holding the filter housing by its top and bottom. NOTE: The air intake filter must be installed when operating the dryer. The air intake filter must be cleaned before and after each use.
2	The air intake filter consists of two (2) parts: filter housing and air intake filter.  <p>Filter Housing</p> <p>Air Intake Filter</p>
3	Remove the air intake filter inside the filter housing. Clean the filter using a soft brush or a vacuum cleaner.  <p>Cleaning the Air Intake Filter</p>
4	Reassemble the air intake filter inside the filter housing, then reinstall the filter housing by pushing the housing upwards with your thumb until the latch is secured to the dryer.  <p>Filter Housing</p>

TROUBLESHOOTING

Before you call for service, refer to following checklist for common problems:

The 'TIMER' dial will not rotate	<ul style="list-style-type: none">• The dryer is not plugged in.• The circuit breaker tripped or a fuse blew. Check for a blown circuit fuse or tripped main circuit breaker in your house.• The door is not closed.
The dryer does not operate	<ul style="list-style-type: none">• The dryer is not plugged in.• The circuit breaker tripped or a fuse blew. Check for a blown circuit fuse or tripped main circuit breaker in your house.• The door is not closed.
The dryer drum does not rotate	<ul style="list-style-type: none">• The dryer is not plugged in.• The circuit breaker tripped or a fuse blew. Check for a blown circuit fuse or tripped main circuit breaker in your house.• The door is not closed.
The laundry is not completely dry	<ul style="list-style-type: none">• Verify the presets used for 'TIMER', 'MODE', and 'SENSOR DRY'.• Clean the filter.• Reduce the laundry load in the dryer. Do not overload the dryer.• Dry these items further in the timed drying mode for 10+ minutes.• Ensure the items are not knotted or bulked together.• The dryer is not located in a properly ventilated area.• Make sure your washer's spin cycle is extracting water properly.

NOTE: If the problem persists, contact Magic Chef® Customer Service: 1-888-775-0202 for assistance.

WARRANTY

LIMITED WARRANTY

MC Appliance Corporation warrants each new Compact Dryer to be free from defects in material and workmanship and agrees to remedy any such defect or to furnish a new part(s) (at the company's option) for any part(s) of the unit that has failed during the warranty period. Parts and labor expenses are covered on this unit for a period of one year after the date of purchase. A copy of the dated sales receipt/invoice is required to receive warranty service, replacement or refund.

This warranty covers appliances in use within the continental United States, Hawaii, and Puerto Rico. The warranty does not cover the following:

- Damages due to shipping damage or improper installation
- Damages due to misuse or abuse
- Content losses due to failure of the unit
- Inside components such as filters, etc.
- Repairs performed by unauthorized service agents
- Service calls that do not involve defects in material and workmanship such as instruction on proper use of the product or improper installation
- Replacement or resetting of house fuses or circuit breakers
- Failure of this product if used for purposes other than its intended purpose
- Disposal costs of failed units not returned to our factory
- Any delivery or installation costs incurred as the result of a unit that fails to perform as specified
- Expenses for travel and transportation for product service if your appliance is located in a remote area where service by an authorized service technician is not available
- The removal and reinstallation of your appliance if it is installed in an inaccessible location or is not installed in accordance with published installation instructions
- Refunds for non-repairable products are limited to the price paid for the unit per the sales receipt

LIMITATIONS OF REMEDIES AND EXCLUSIONS

Product repair in accordance with the terms herein, is your sole and exclusive remedy under this limited warranty. Any and all implied warranties including merchantability and fitness for a particular purpose are hereby limited to one year or the shortest period allowed by law. MC Appliance Corporation is not liable for incidental or consequential damages and no representative or person is authorized to assume for us any other liability in connection with the sale of this product. Under no circumstances is the consumer permitted to return this unit to the factory without the prior written consent of MC Appliance Corporation.

Some states prohibit the exclusion or limitation of incidental or consequential damages, or limitations on implied warranties. This warranty gives you specific rights, and you may also have other rights which vary from state to state.

Model	Parts	Labor	Type of Service
MCSDRY1S	One Year	One Year	Carry In

For Service or Assistance, please call 888-775-0202. Or visit us on the web at www.mcappliance.com to request warranty service or order parts.



**CNA International, Inc. d/b/a MC Appliance Corporation. All rights reserved.
Magic Chef® is a registered trademark of CNA International, Inc.**