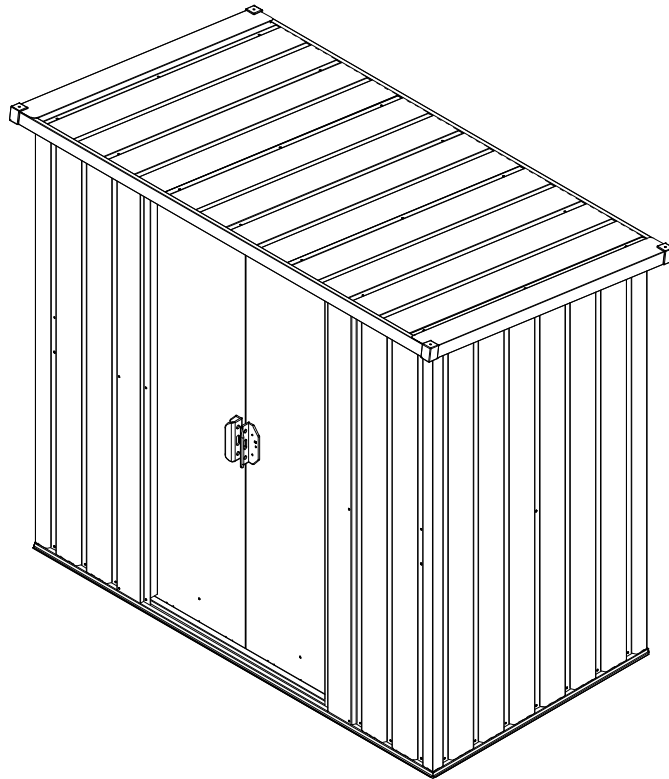


Metal Cabinet

OWNER'S MANUAL

Instructions for Assembly



9820011

Size:L86 x W147 x H134cm
Size: L2.8' x W4.8' x H4.4'

Requires two people and takes 2 - 3 hours for Installation.

Quick & Easy Assembly

Ridge Reinforced Walls

BEFORE YOU START

Owner's Manual

Prior to installation, it is important that you contact your local government authority to determine if building approval is required. Study and understand this owner's manual. Important information and helpful tips will make your construction easier and more enjoyable.

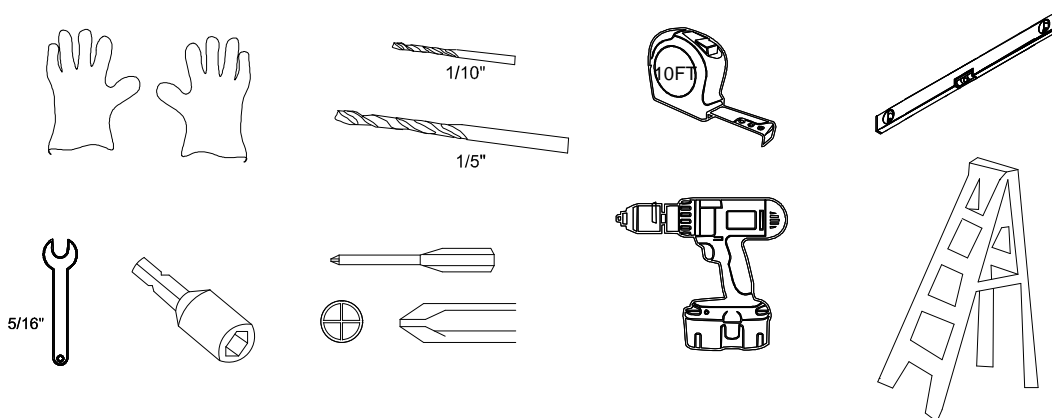
Assembly instructions

Instructions are supplied in this manual and contain all appropriate information for your building model. Review all instructions before you begin. During assembly, follow the step sequence carefully for correct results

Parts

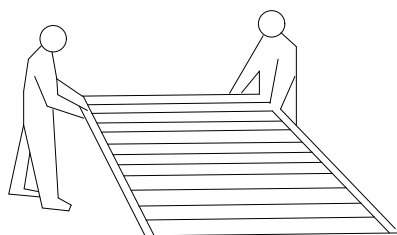
Check to be sure that you have all the necessary parts for the building. Separate contents of the carton by the part number while reviewing parts list. Familiarize yourself with the hardware and fasteners for easier use during construction. These are packaged within the carton. Note that extra fasteners have been supplied for your convenience.

TOOLS MAY REQUIRED



Use heavy duty gloves when handling steel sheets and flashing

PLAN AHEAD



Watch the weather:

Please be sure the day you select for installation is dry and calm.

DO NOT attempt to assemble your shed in windy weather because of risk of damage to panels, or personal injury. Be careful of wet or muddy ground.

Teamwork:

Whenever possible, two or more people should work together to assemble the building. One person can position parts or panels while the other is able to handle the fasteners and the tools.

PLAN AHEAD

Site Selection

- Avoid overhanging trees as much as possible as leaves will make regular cleaning necessary and broken branches are a potential hazard.
- Small trees, bushes or fences nearby can be helpful, acting as a wind break.

Site Preparation

The site must be prepared so that the base of the shed is level all round and checking with a spirit level is required.

The base can be constructed by treated timber or concrete, in order to stop the moisture getting into the shed. **The shed is not designed to be built onto lawn directly.** Also the ground will get muddy during rainy days.

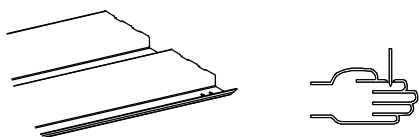
If a concrete pad is made, it is important that this slopes towards the edges to prevent water ingress.

Time must be allowed for any concrete or cement to dry before building the shed on top.

Bases can also be constructed from bricks, blocks, or mounted on a concrete pad.

The bricks or blocks should be cemented onto firm and level concrete footings and the greenhouse frame drilled and screwed to the base.

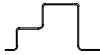






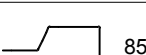


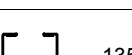
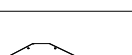
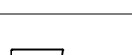
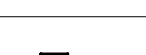
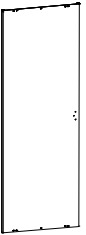
Sharp edges

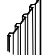
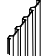
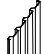
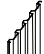
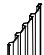



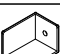


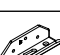


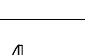




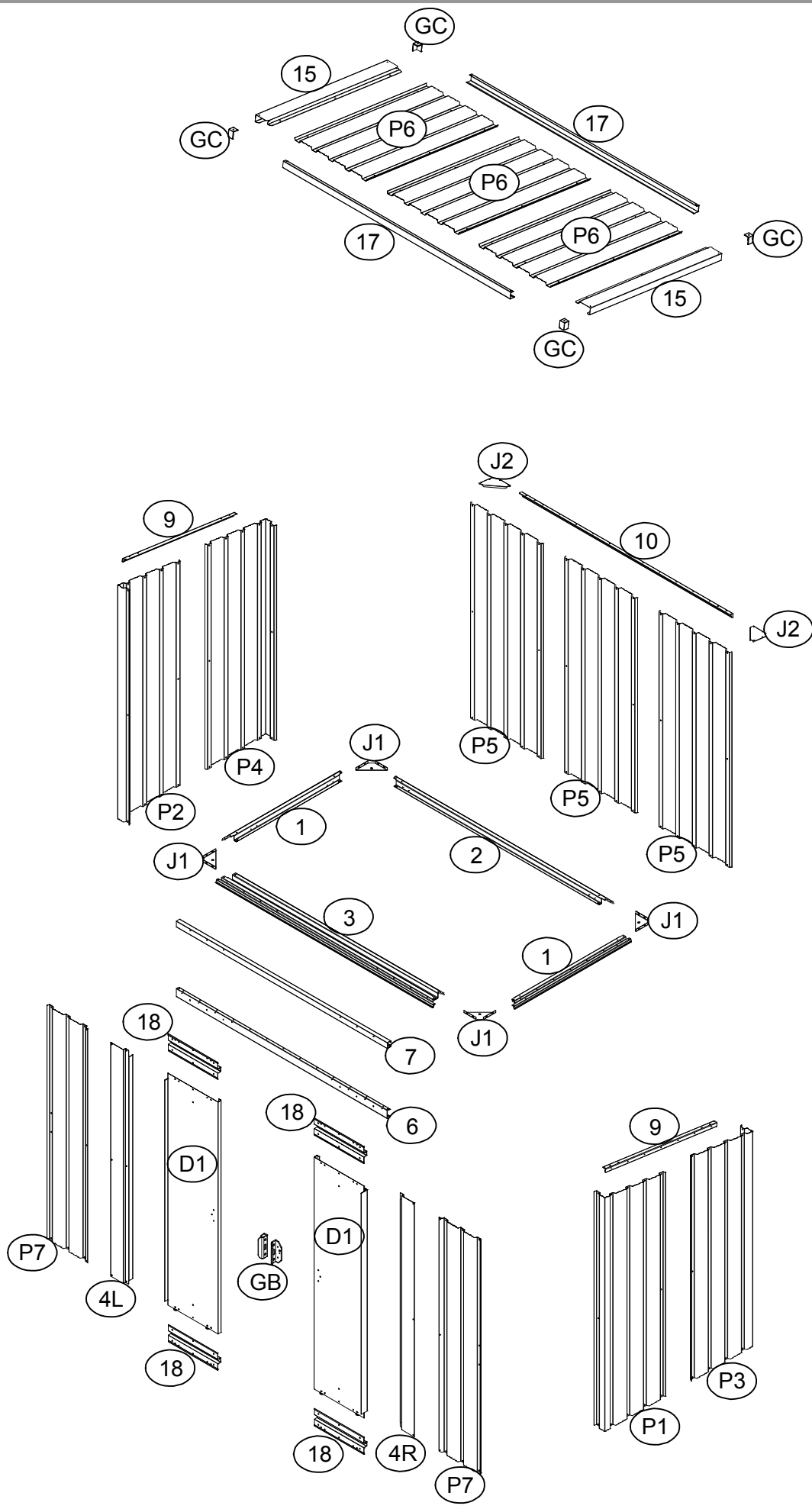
Pay attention to the sharp edges. Please wear work gloves, long sleeves and eye glasses, when assembling or performing.

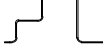
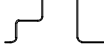
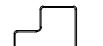

IMPORTANT NOTES:

- Find someone to help you: it is much easier with someone to hold parts, pass tools ect. Also some steps require two people to lift structures together. This is not very heavy work so would suit most able-bodied people.
- Allow plenty of time: rushing often causes errors and the re-doing of incorrect assemblies. If you have never built a shed before, it can take most of a day to carefully complete the construction.
- Have the right tools to hand.
- Safety clothing as recommended in the 'Tools' section.
- Ideally lay out the parts and check that all are present before commencing construction. Lay on cloths or plastic sheets if there is any risk of scratching the parts.
- Tighten all nuts carefully, being sure not to miss any. Check the frame is square and using a spirit level to check that it is upright.

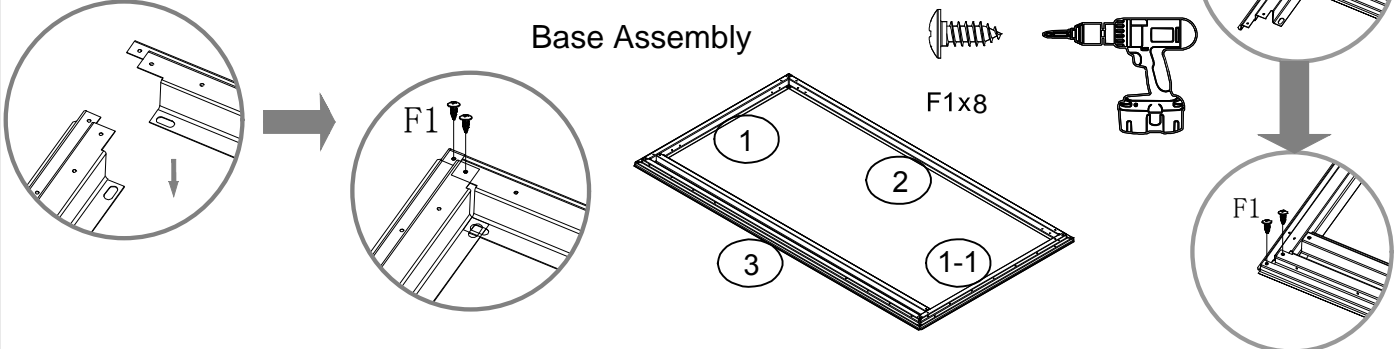
NO.	PART	Qty.
1	 752mm / 29.6"	1
1-1	 752mm / 29.6"	1
2	 1394mm / 54.8"	1
3	 1394mm / 54.8"	1
9	 724mm / 28.5"	2
10	 1354mm / 47.5"	1
17	 1460mm / 57.5"	2
15	 852mm / 33.5"	2
4L	 1300mm / 51"	1
4R	 1300mm / 51"	1
7	 1354mm / 47.5"	1
J2	 2	
6	 1354mm / 47.5"	1
18	 318mm / 12.5"	4
D1	 50.6"X12.6"	2

NO.	PART	Qty.
P1	 1300mm 51"	1
P2	 1300mm 51"	1
P3	 1250mm 49.2"	1
P4	 1250mm 49.2"	1
P5	 1195mm 47"	3
P6	 852mm 33.5"	3
P7	 1300mm 51"	2
J1	 4	
GC	 4	
G2	 4	
GD	 4	
GB	 2	
F1	 140	
F2	 30	
F3	 8	
S2	 40	
S3	 120	




NO.	PART	Qty.	NO.	PART	Qty.
1		1	2		1
1-1		1	3		1

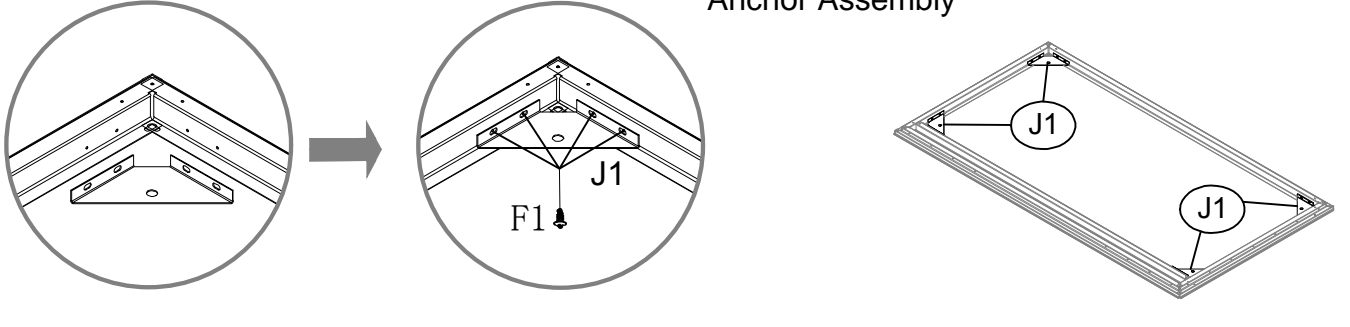
Base Assembly



The diagram shows the assembly of the base frame. It includes a list of parts (NO. 1, 2, 3 and 1-1) and their quantities. A central diagram shows the frame with parts labeled 1, 2, 3, and 1-1. To the right, a screw (F1x8) and a power drill are shown. Two circular callouts show close-up views of the profiles being joined together with screws.

NO.	PART	Qty.
J1		4

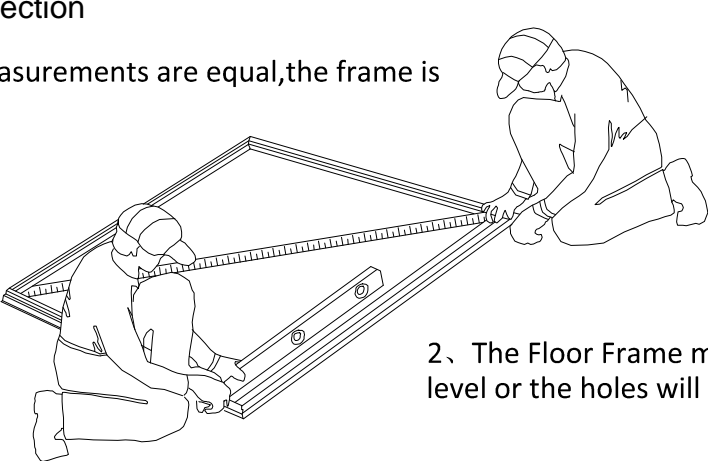
Anchor Assembly



The diagram shows the installation of anchors. A list of parts (NO. J1) and their quantity (4) is provided. A central diagram shows the frame with anchors labeled J1. To the right, a screw (F1x16) and a power drill are shown. Two circular callouts show close-up views of the anchor being secured to the frame with a screw.

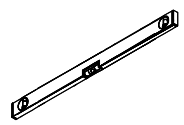
Base Assembly Inspection

1. When diagonal measurements are equal, the frame is square.

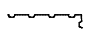



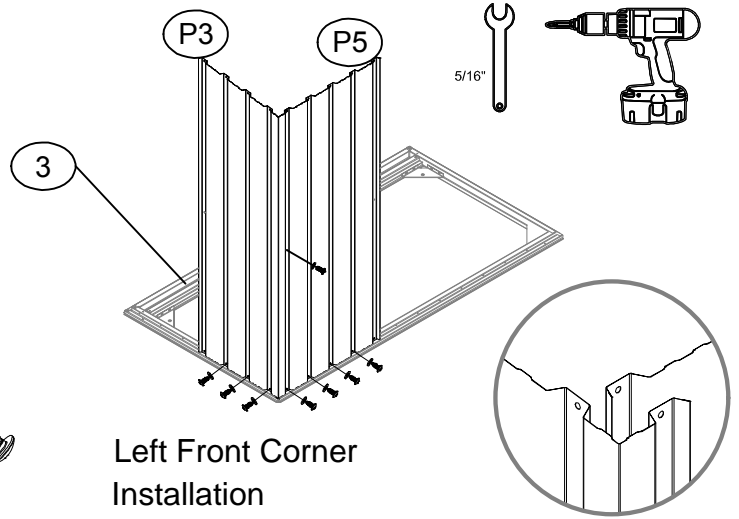
The diagram shows two workers inspecting the floor frame. One worker is using a long measuring tape to measure a diagonal of the frame, while the other worker is using a level to check the frame's levelness.

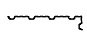
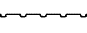
2. The Floor Frame must be BOTH square AND level or the holes will not line up properly.

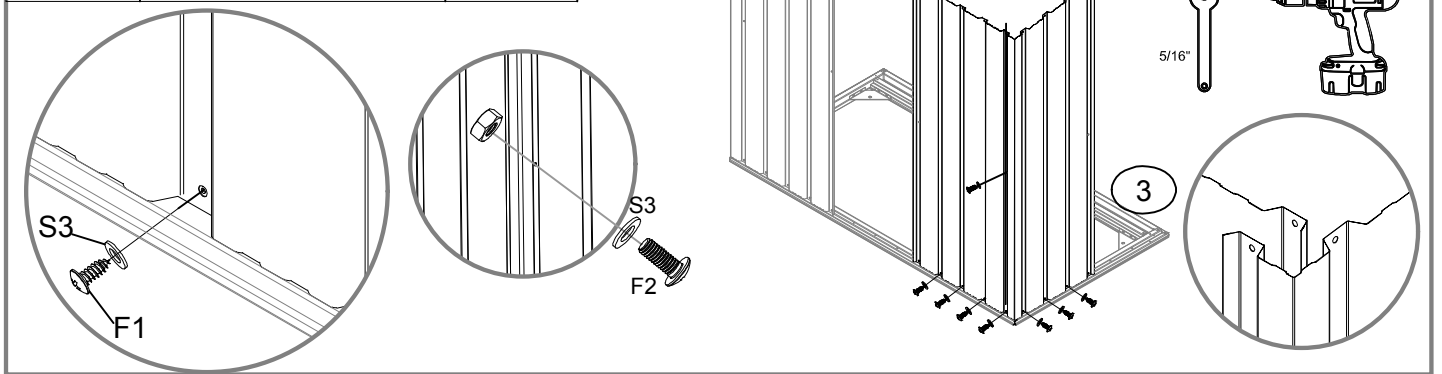


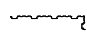
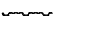
The diagram shows a level tool being used to check the frame's levelness.

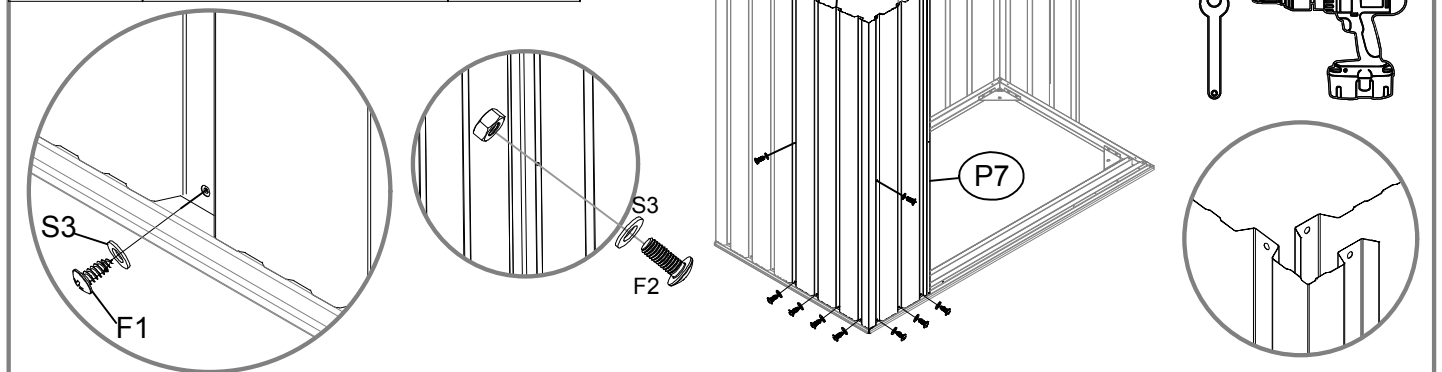
NO.	PART	Qty.
P3		1
P5		1

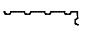
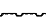


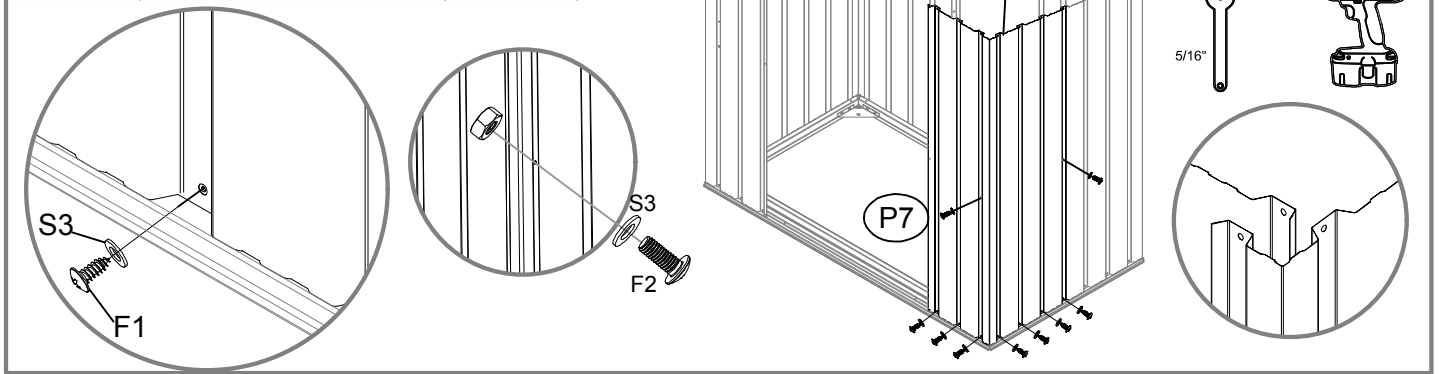
NO.	PART	Qty.
P4		1
P5		1

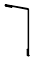


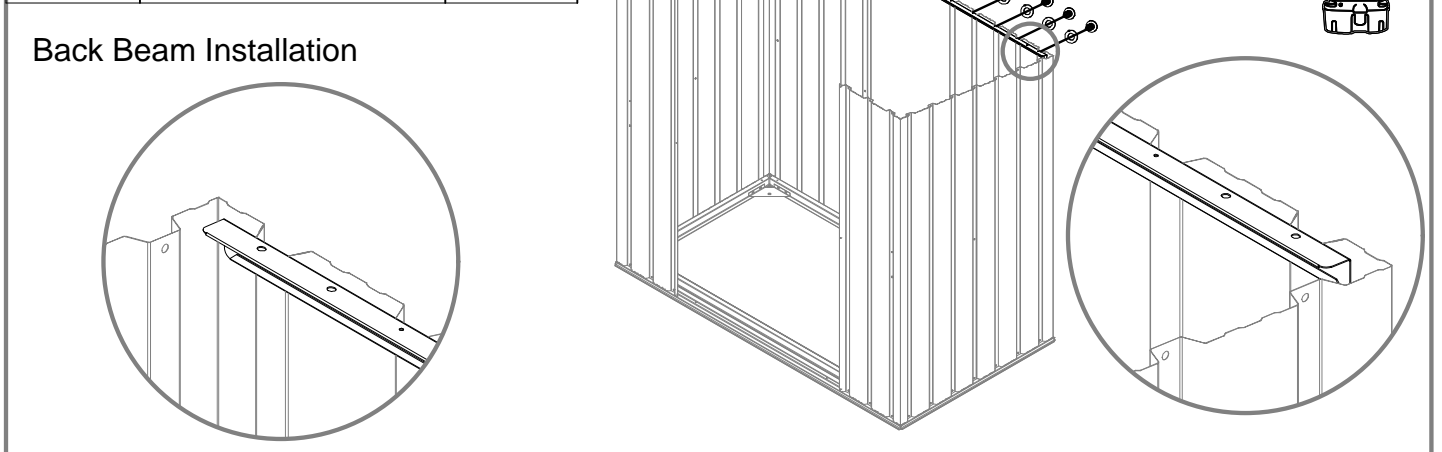
NO.	PART	Qty.
P2		1
P7		1




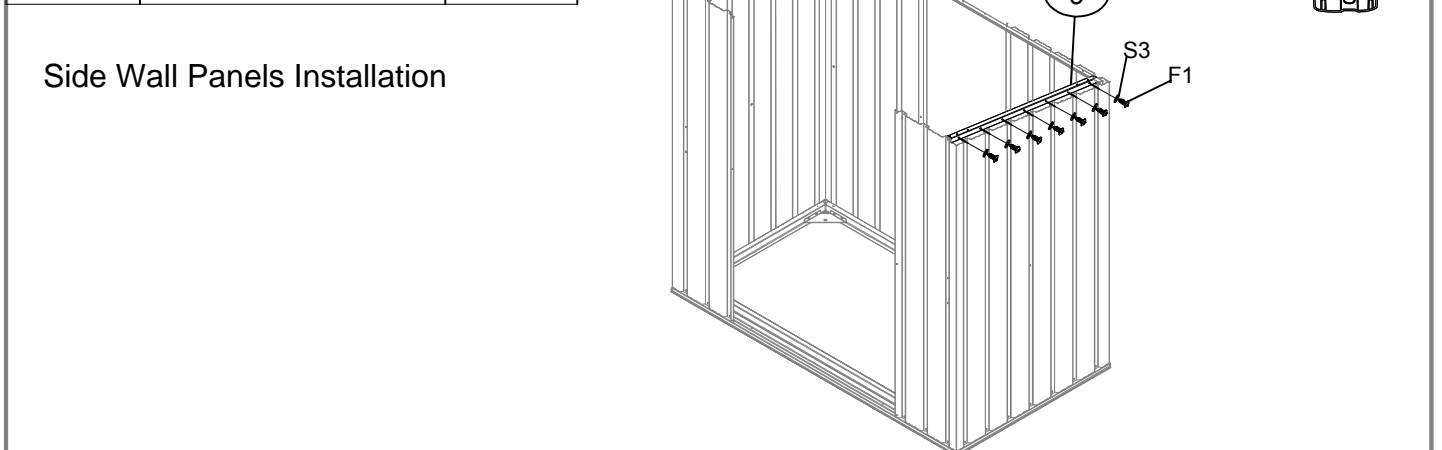
NO.	PART	Qty.
P1		1
P7		1



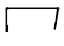


NO.	PART	Qty.
10		1

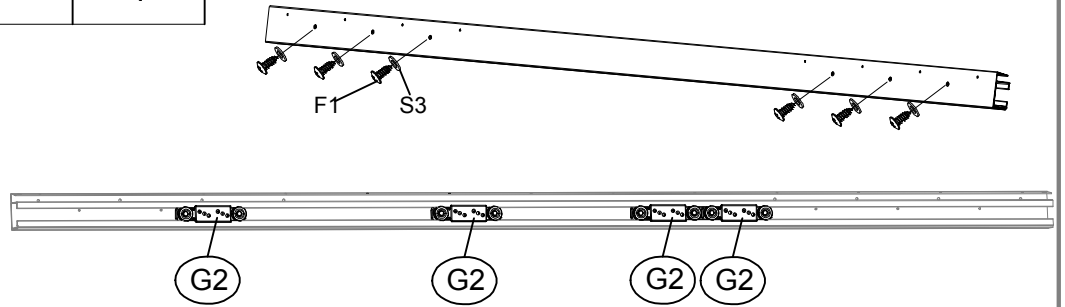
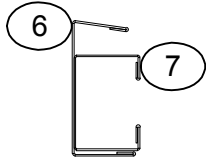
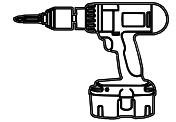


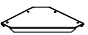
NO.	PART	Qty.
9		2



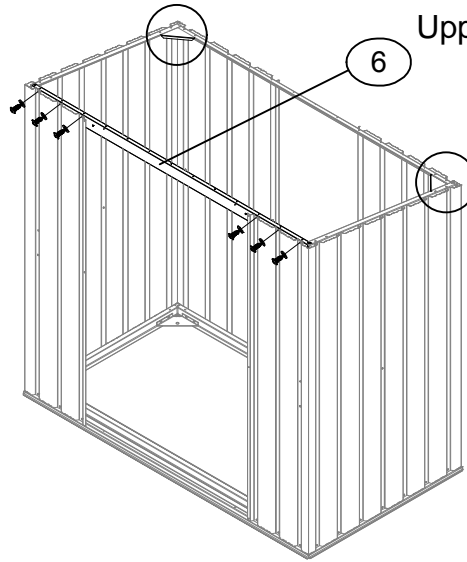
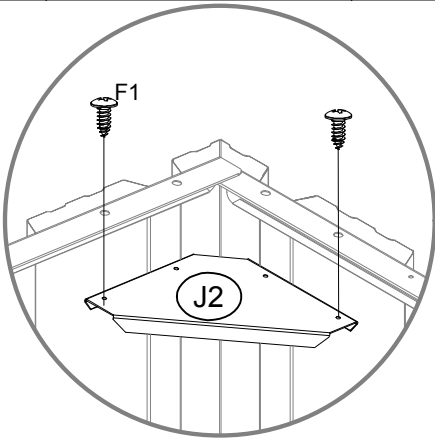
NO.	PART	Qty.
7		1
G2		4
6		1

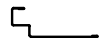
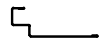
Front Beam Installation
Door Slider Installation



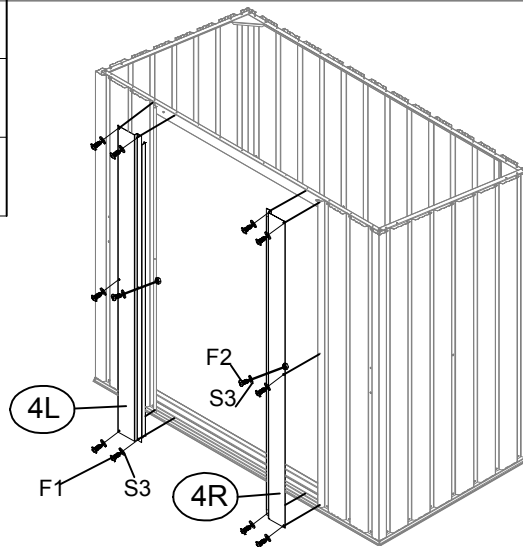
NO.	PART	Qty.
J2		2

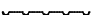
Upper Corner Connecting
Installation



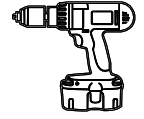
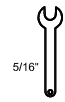
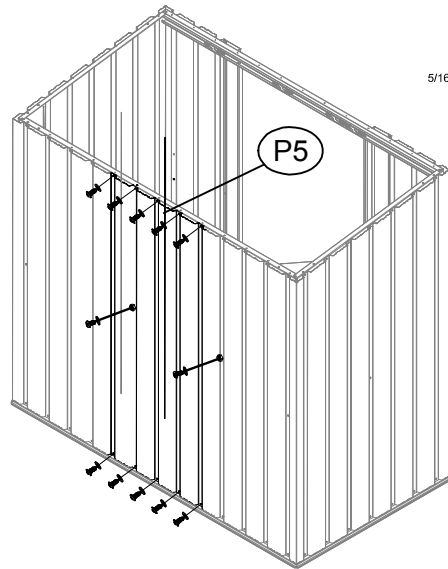
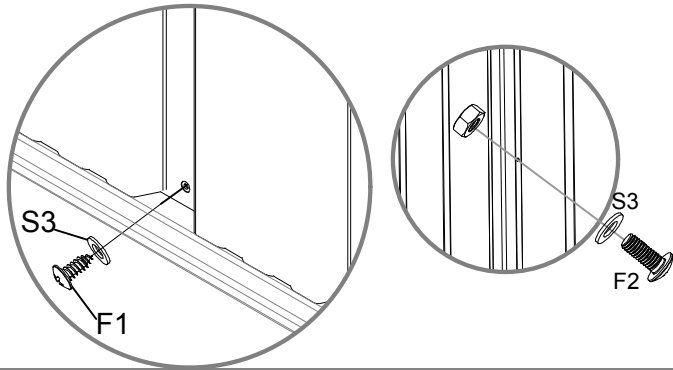
NO.	PART	Qty.
4L		1
4R		1


Door Frame Installation



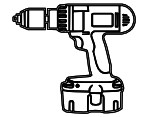
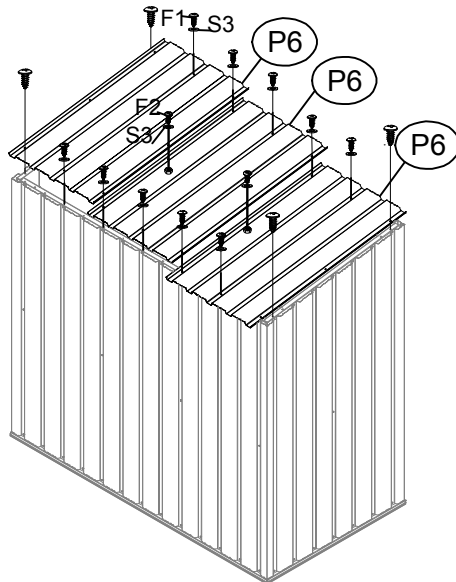
NO.	PART	Qty.
P5		1

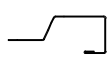
Back Panel Installation



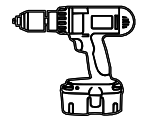
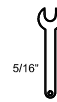
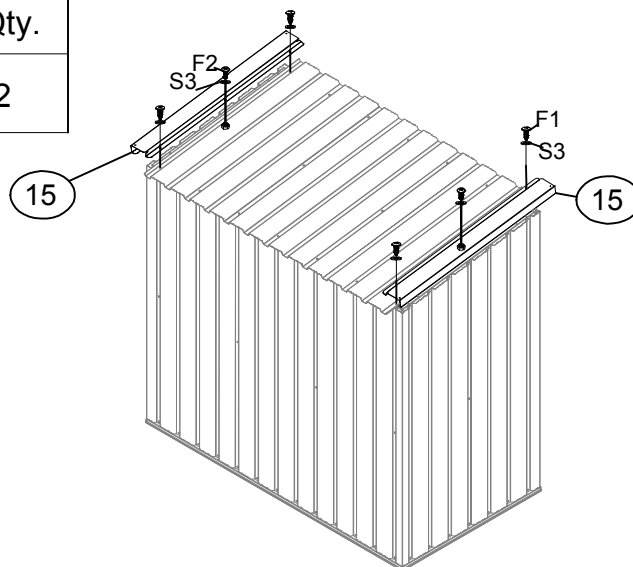
NO.	PART	Qty.
P6		3

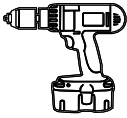
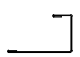
Roof Panel Installation

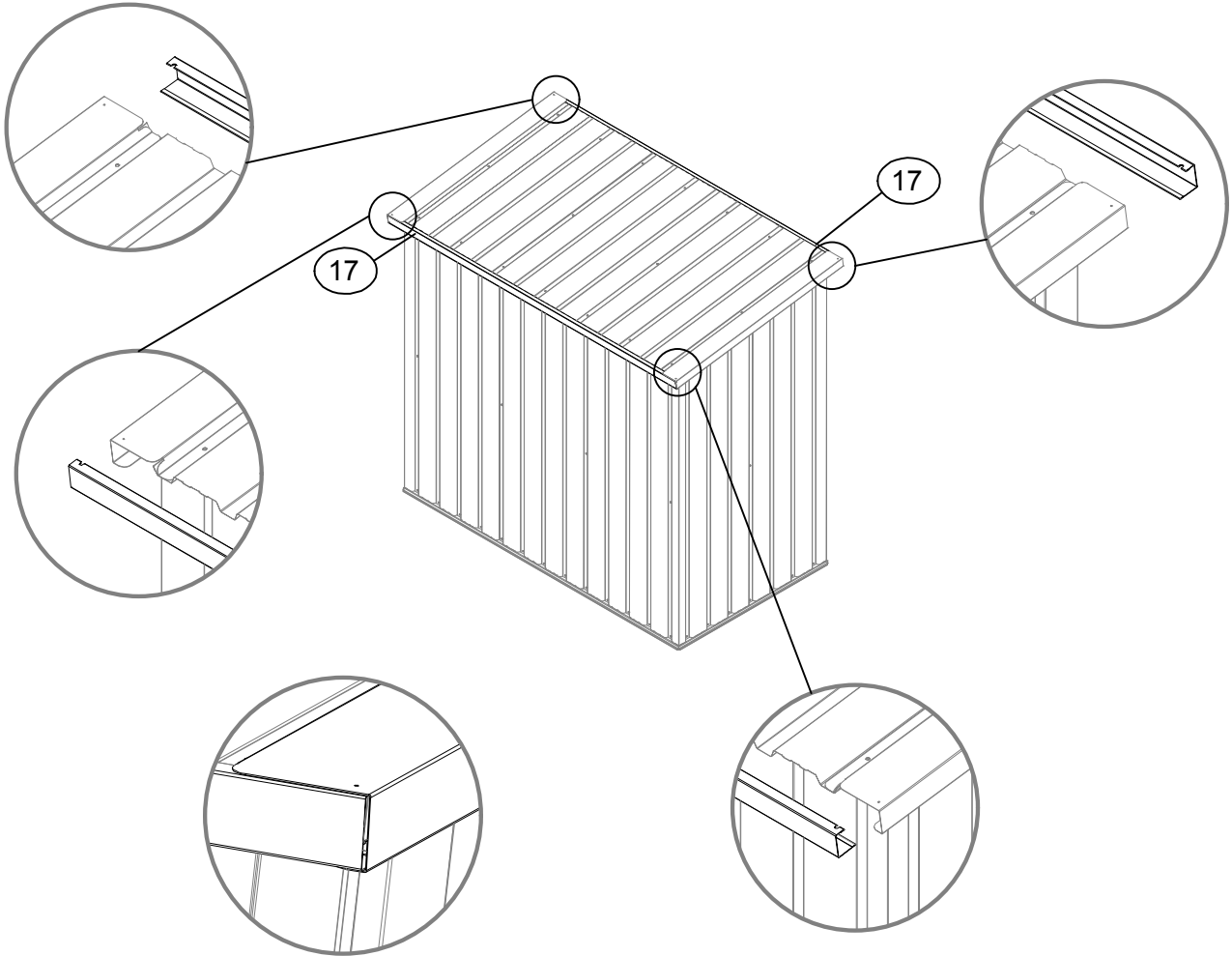


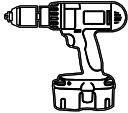

NO.	PART	Qty.
15		2

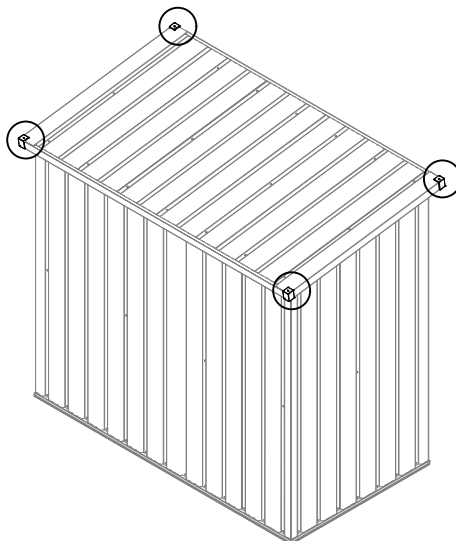
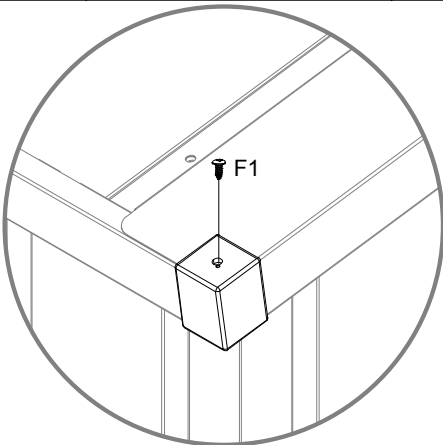
Roof Beam Installation



NO.	PART	Qty.		Eaves Fixation
17		2		

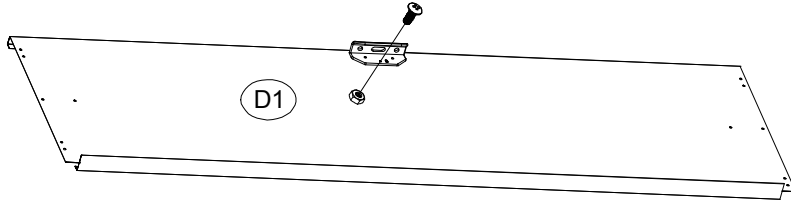
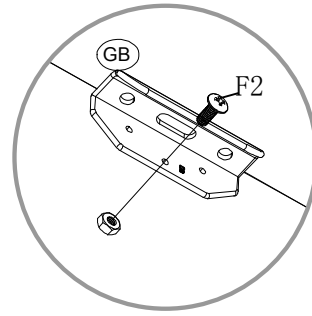
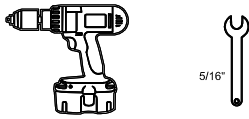


NO.	PART	Qty.		Eave Corner Caps Installation
GC		4		



NO.	PART	Qty.
D1		1
GB		2

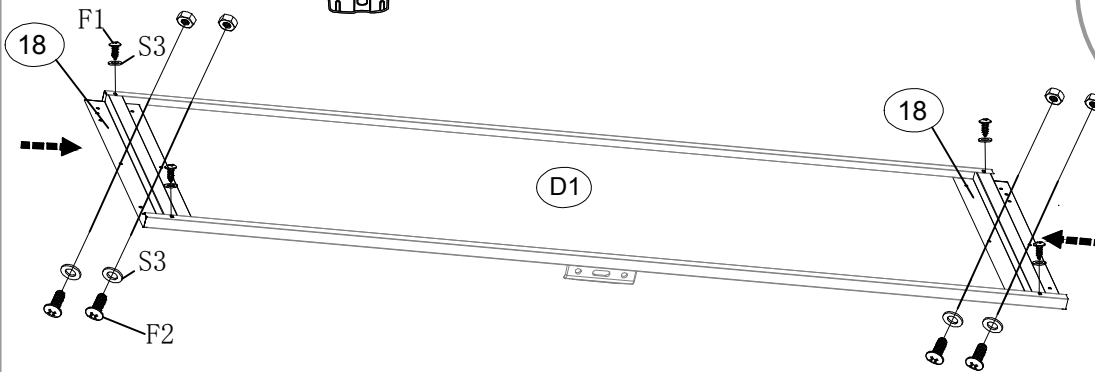
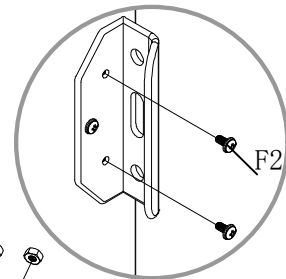
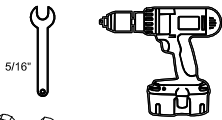
Door Handle Assembly



x2

NO.	PART	Qty.
18		4

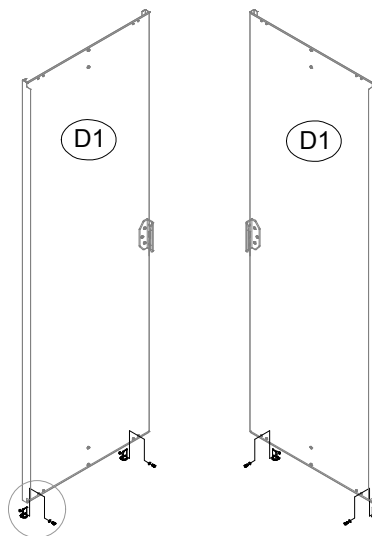
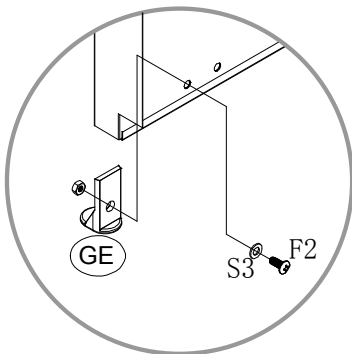
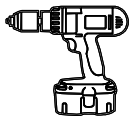
Door Frame Assembly



x2

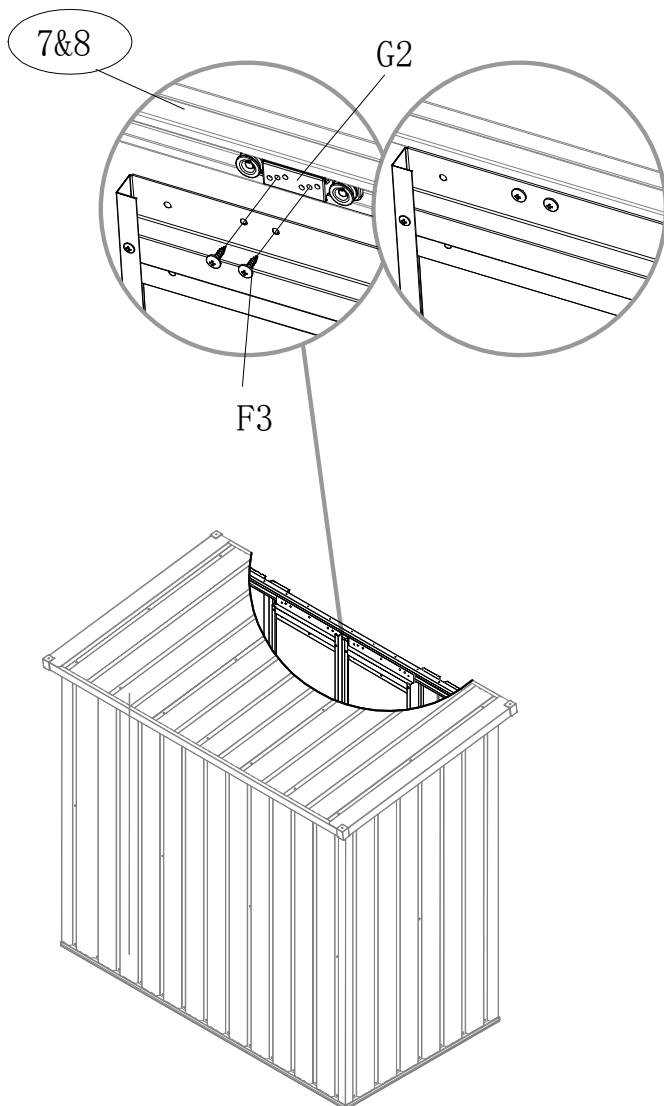
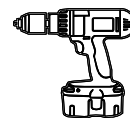
NO.	PART	Qty.
GD		4

Door Feet Assembly

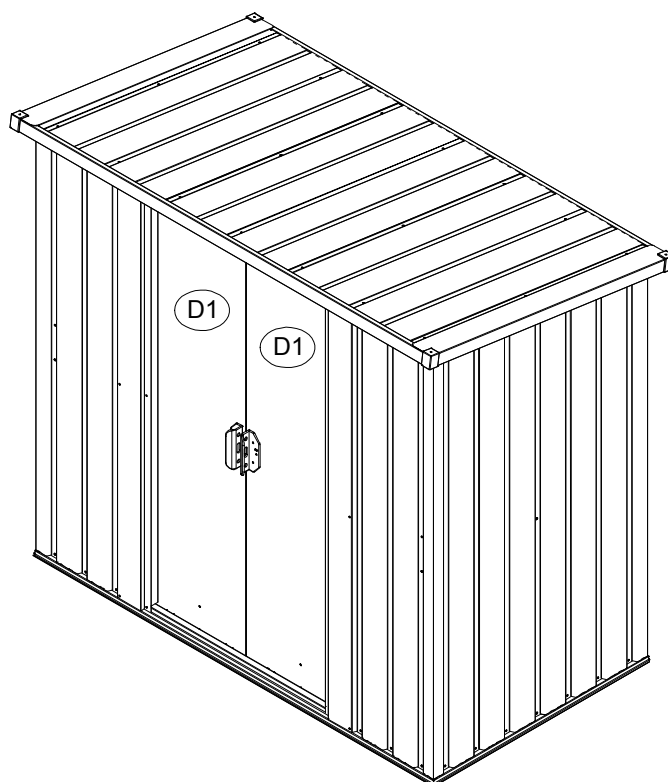


Assemble another Door in the same way

Door Fixation



Assembly Completed
Well done!





IMPORTANT

If you have any problems with this product, please

DO NOT RETURN THIS ITEM

To the Retailer/Store from where you purchased the product.

Please email us anytime with the nature of the problem at:

ContactUs@Hanover-Products.com

Please include:

- Pictures of the issue(s) and receipt (if available)
- Name and address of the Purchaser
- Name of retailer

Or call our Customer Service team between 9:00 AM and 5:00 PM Eastern Time,
Monday through Friday at:

1-877-397-5144

or visit our website at:

www.Hanover-Products.com

To expedite any future warranty claims, please retain your receipt for future use.

For additional on-line support on assembly, troubleshooting and care & maintenance of your outdoor product, please visit our website at: **www.Hanover-Products.com**.

8/1/2019

Outdoor Products

1-Year Limited Warranty Program

For a period of one (1) year after purchase, Hanover (“Manufacturer”) will either repair or replace defective components in accordance with this Limited Warranty. This warranty is between Manufacturer and the original purchaser and is valid only when accompanied by the original purchaser’s sales receipt showing original date of purchase and location of purchase. Replacements under this warranty revert back to the date of original purchase for future warranty.

Manufacturer or its authorized dealer can accept or reject warranty claims based on its findings. This warranty applies in normal residential use only and is not intended for commercial use. Manufacturer can make substitutions as required of materials, components, and sub-components of comparable value and utility. This warranty is limited to product repair or replacement (to be determined solely by Manufacturer). Warranty return is limited to only the single affected component.

This warranty covers only manufacturing defects and does not cover normal wear and tear, damage due to acts of nature, abuse or misuse, including chemical damage from suntan oil or other chemicals, exposure to extreme heat or cold, abrasion or excessive weight. This product is intended to be used in standard installations only. This warranty is invalid if the product is not used for intended purpose. Manufacturer disclaims liability for any aspect of installation and any inconvenience caused by a defective part of a component.

Certain items are not covered by this warranty. These include, but are not limited to the following:

1. Items subjected to abuse, including abuse intended to simulate failure.
2. Any part which merely exhibits normal wear yet functions essentially as new, including tears/rips, chips, scratches or stretching of materials and stitching.
3. Tears, rips, punctures, scratches or any damage caused by improper installation or use.
4. Fading and/or discoloration of materials resulting from exposure to the elements, chemicals, oils, fluids or any other cause are not covered.

To make a claim, contact us by the email address or the toll-free number below. Please have available a copy of the original sales receipt along with a brief description of the problem. Please also provide your email address and daytime telephone or cell phone #. All items may be charged actual freight costs plus \$15 for handling. Repairs or replacement will be made at the Manufacturer’s option. ***Sales and use taxes, plus shipping and handling charges are the responsibility of the consumer.***

THIS IS THE ENTIRE EXCLUSIVE EXPRESS LIMITED LIABILITY. THE MANUFACTURER NEITHER MAKES NOR IS RESPONSIBLE FOR ANY OTHER WARRANTIES, EITHER EXPRESS OR IMPLIED, INCLUDING THOSE OF RETAILING DEALERS. THIS EXCLUSIVE REMEDY IS LIMITED TO RECEIPT OF A CREDIT IN CONNECTION WITH THE REPAIR OR REPLACEMENT OF ANY PRODUCT OR COMPONENT DEEMED TO BE DEFECTIVE UNDER THE TERMS AND CONDITIONS AS STATED IN THIS WARRANTY. NEITHER HANOVER, THE PRODUCT MANUFACTURER NOR ITS AGENTS SHALL BE LIABLE IN ANY CASE FOR INCIDENTAL, INDIRECT, SPECIAL OR CONSEQUENTIAL DAMAGES RESULTING FROM THE USE OF THIS PRODUCT OR ARISING OUT OF ANY BREACH OF THIS WARRANTY OR NEGLIGENCE EVEN IF IT HAS BEEN ADVISED OF THE POSSIBILITY OF SUCH DAMAGES. EXCEPT AS OTHERWISE MAY BE REQUIRED BY LAW, THERE ARE NO OTHER EXPRESS OR IMPLIED WARRANTIES OTHER THAN THE WARRANTY DESCRIBED HEREIN, AND ALL OTHER WARRANTIES, INCLUDING ANY IMPLIED WARRANTY OF MERCHANTABILITY OR FITNESS FOR A PARTICULAR PURPOSE ARE EXPRESSLY DISCLAIMED.

Contact Warranty Services at **1-877-397-5144**

Or email us at:

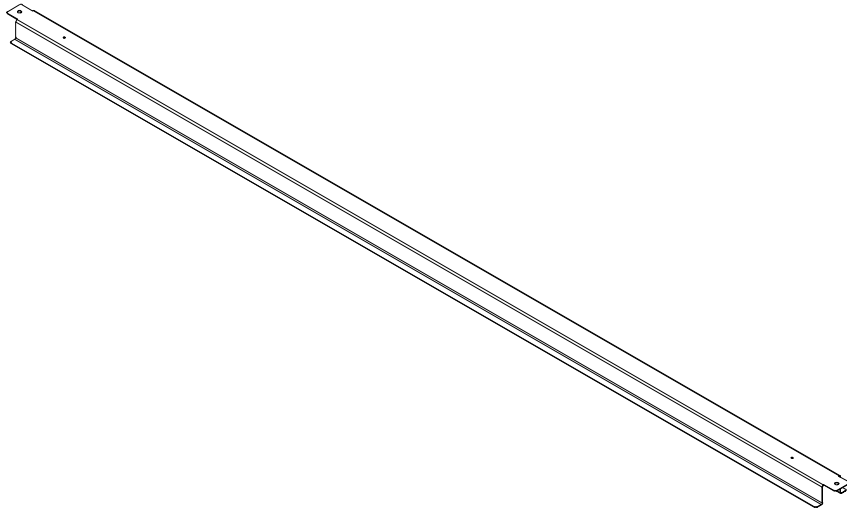
ContactUs.Hanover-Products.com



or

www.Hanover-Products.com

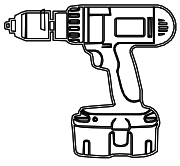
8/1/2019

Metal Garden Shed
Foundation Kit
Instructions for Assembly
9820011



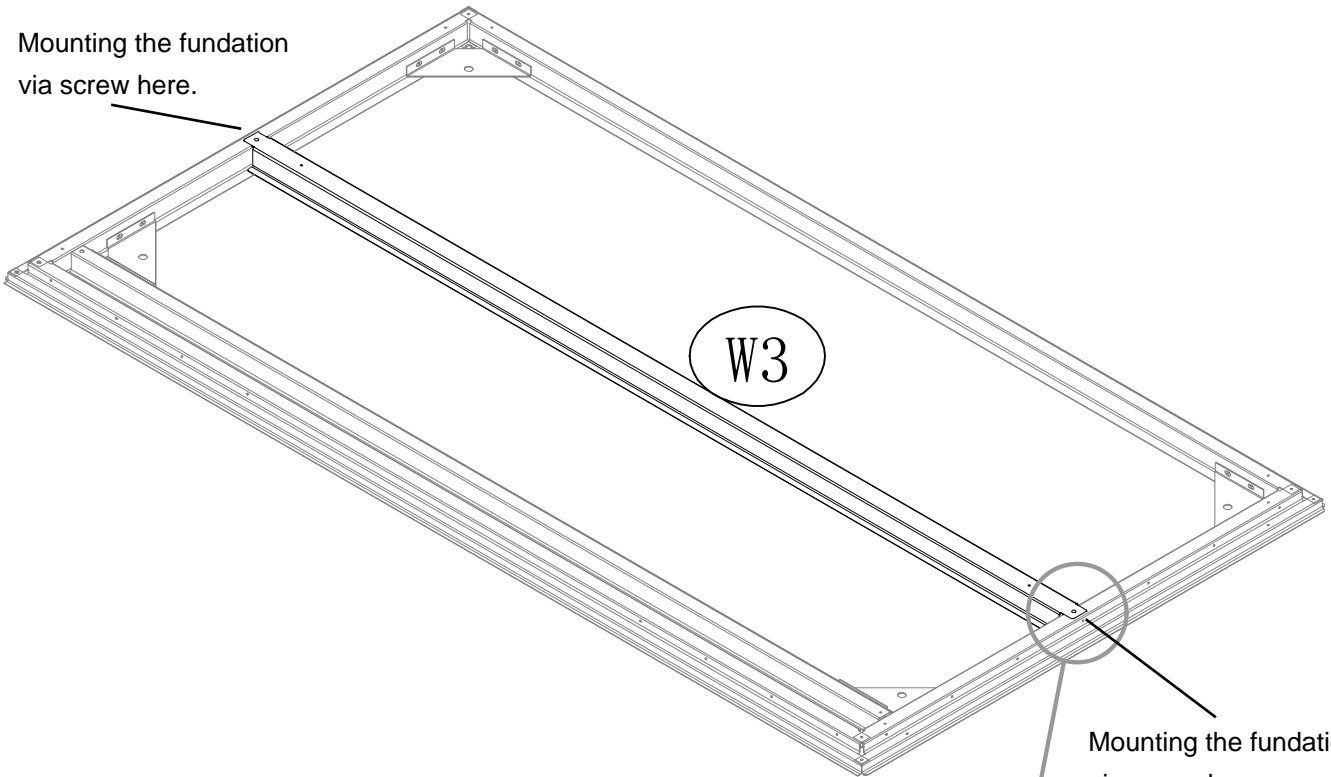
NO.	PART	Qty.
W3	 1355mm / 53.3"	1
F1		20

20pcs F1 screws are our standard quantity for foundation.
Only 2 pcs F1 screws are needed for this model.



Metal Foundation Assembly

Mounting the foundation
via screw here.



Mounting the foundation
via screw here.

