

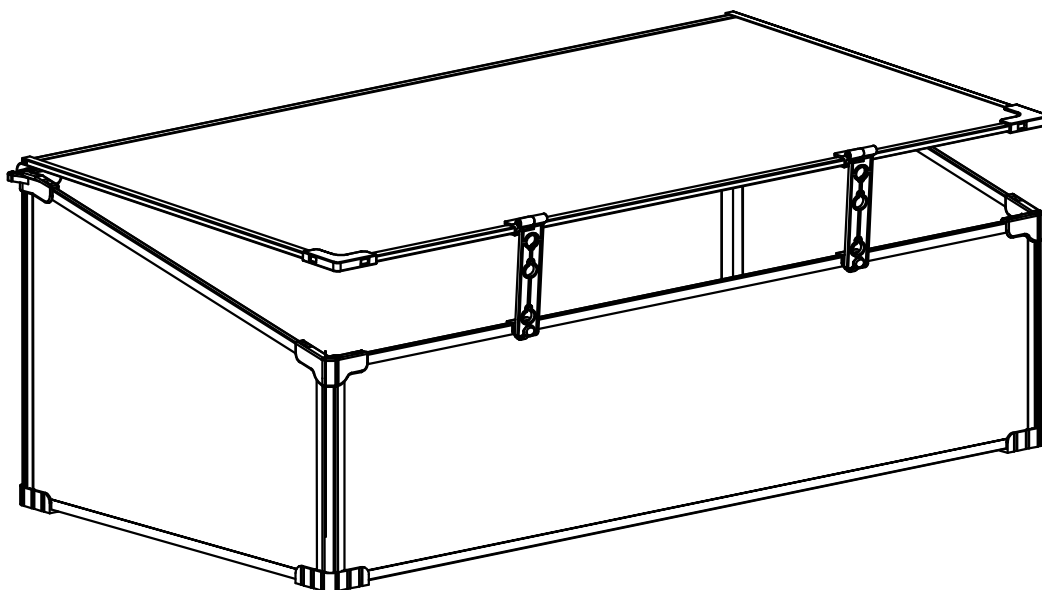
# Cold Frame

## Assembly Instruction

---

**Overall Size/CM: L120 x W51 x H51**

**Overall Size/inch: L47"x W20"x H20"**



**9820112**

### **IMPORTANT**

You must read these instructions carefully before you start to assemble it.

Please ensure that you find all parts in the correct type and quantity as mentioned in the list.

Please carry out the steps according to the instructions.

**Do not tighten the steps until completing on the assembly of the whole product.**

Keep the instruction manuals in a safe place for future reference.



# IMPORTANT

If you have any problems with this product, please

**DO NOT RETURN THIS ITEM**

To the Retailer/Store from where you purchased the product.

Please email us anytime with the nature of the problem at:

**ContactUs@Hanover-Products.com**

Please include:

- Pictures of the issue(s) and receipt (if available)
- Name and address of the Purchaser
- Name of retailer

Or call our Customer Service team between 9:00 AM and 5:00 PM Eastern Time,  
Monday through Friday at:

**1-877-397-5144**

or visit our website at:

**www.Hanover-Products.com**

To expedite any future warranty claims, please retain your receipt for future use.

For additional on-line support on assembly, troubleshooting and care & maintenance of your outdoor product, please visit our website at: **www.Hanover-Products.com**.

8/1/2019

# BEFORE YOU START

---

## Owner's Manual

### Assembly instructions

Instructions are supplied in this manual and contain all appropriate information for your building model. Review all instructions before you begin. During assembly, follow the step sequence carefully for correct results

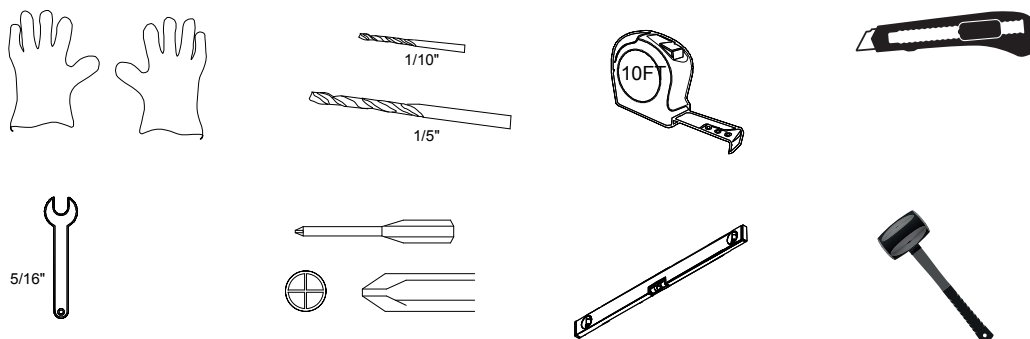
### Parts

Check to be sure that you have all the necessary parts for the building. Separate contents of the carton by the part number while reviewing parts list. Familiarize yourself with the hardware and fasteners for easier use during construction. These are packaged within the carton. Note that extra fasteners have been supplied for your convenience.

---

## TOOLS MAY REQUIRED

---

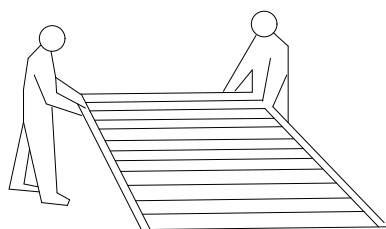


**Use heavy duty gloves when handling steel sheets and flashing**

---

## PLAN AHEAD

---



### Watch the weather:


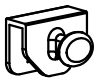

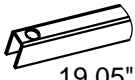
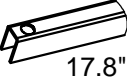

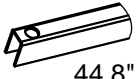



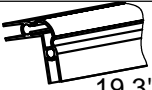



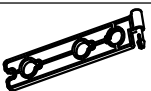

Please be sure the day you select for installation is dry and calm.

**DO NOT attempt to assemble your shed in windy weather** because of risk of damage to panels, or personal injury. Be careful of wet or muddy ground.

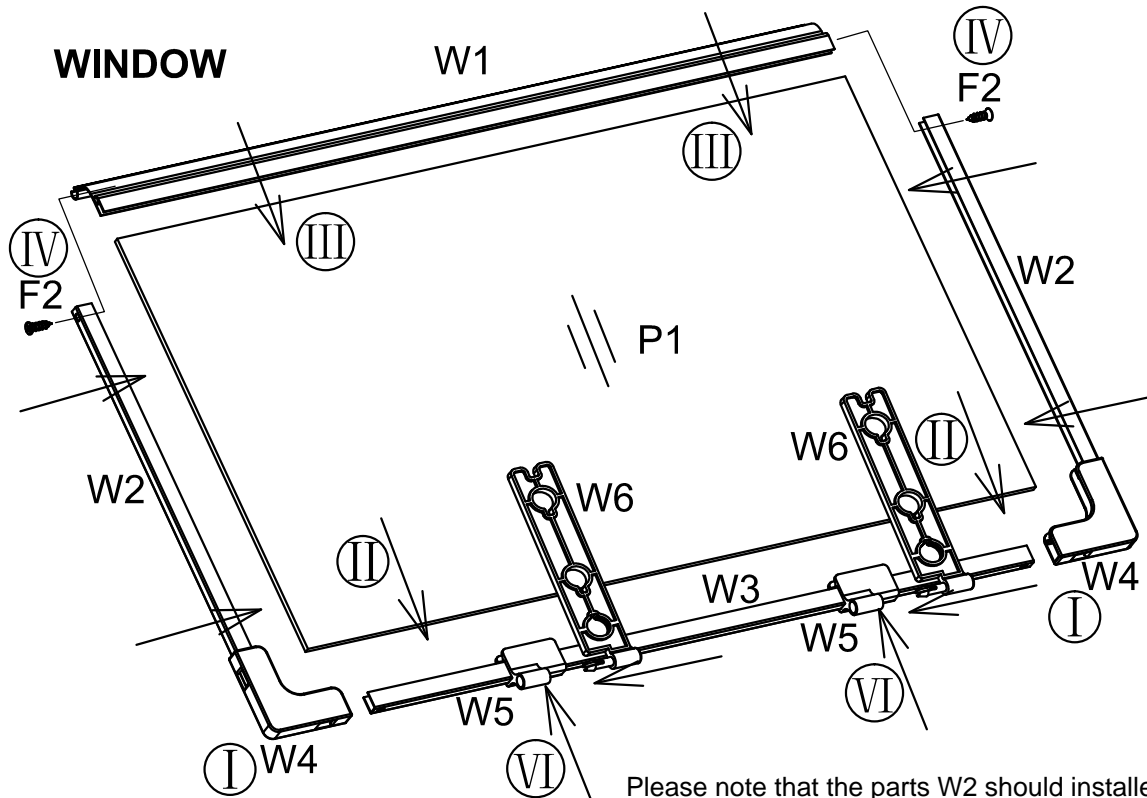
### Teamwork:

Whenever possible, two or more people should work together to assemble the building. One person can position parts or panels while the other is able to handle the fasteners and the tools.

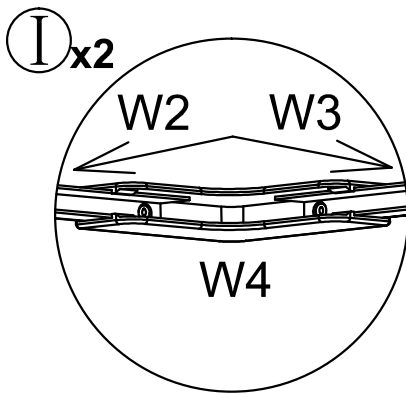
## PARTS LIST

PART	NO.	Qty.	PART	NO.	Qty.	PART	NO.	Qty.
 47"	W1	1		W7	2		S1	4
 19.05"	W2	2	 17.8"	1	2		S2L	1
							S2R	1
 44.8"	W3	1	 45.1"	2	4		S3L	1
							S3R	1
	W4	2	 19.3"	3	2		F2	10
	W5	2	 15"	4	2	<div style="display: flex; justify-content: space-around; align-items: center;"> <div style="border: 1px solid black; padding: 2px;">P1</div> <div style="border: 1px solid black; padding: 2px;">P2</div> <div style="border: 1px solid black; padding: 2px;">P3</div> </div> <div style="display: flex; justify-content: space-around; align-items: center; margin-top: 10px;"> <div style="border: 1px solid black; padding: 2px;">P4L</div> <div style="border: 1px solid black; padding: 2px;">P4R</div> </div>		
	W6	2	 18"	5	2			

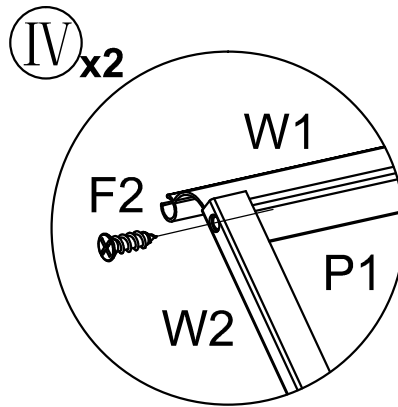
# Window Assembly



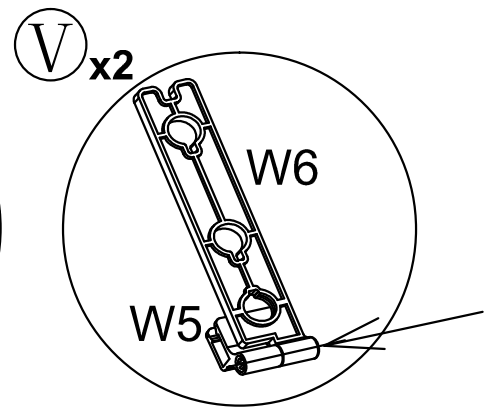
Please note that the parts W2 should be installed on the two short edges of the window.



Insert the other end of W2 and W3 into corner guard W4.

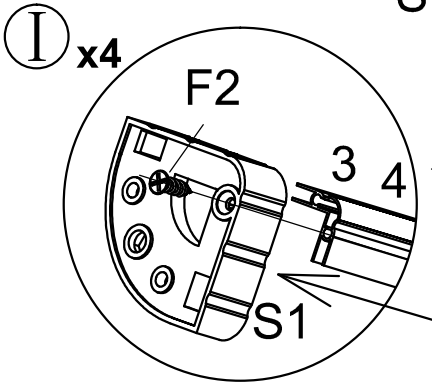
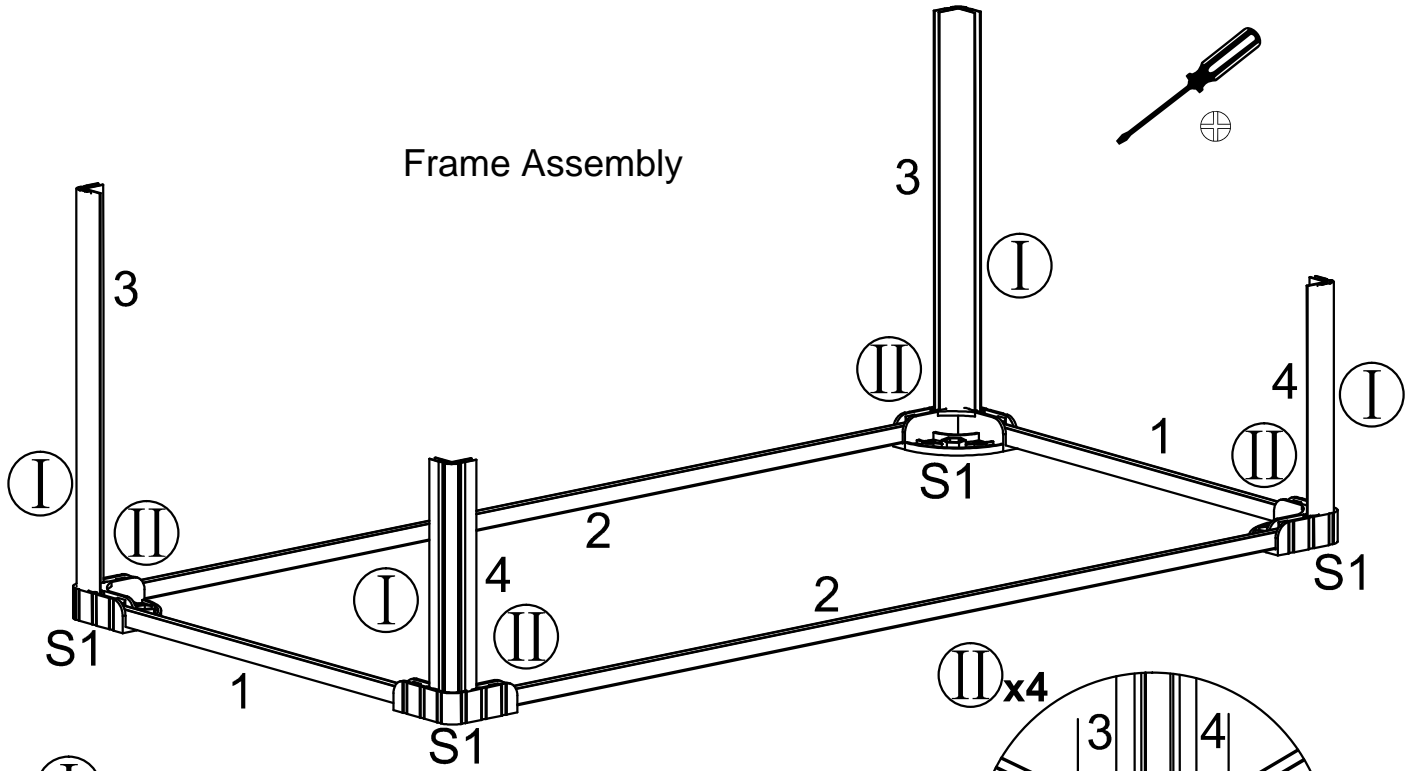


Connect W1 and W2 with F2 screw at each corner.

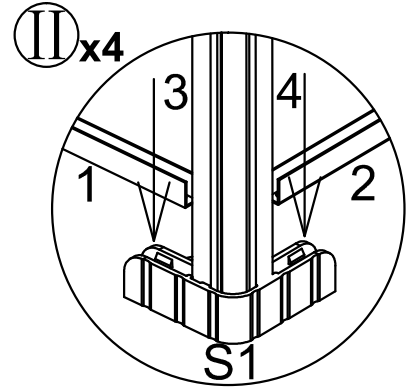


Assemble W5 and W6

### Frame Assembly

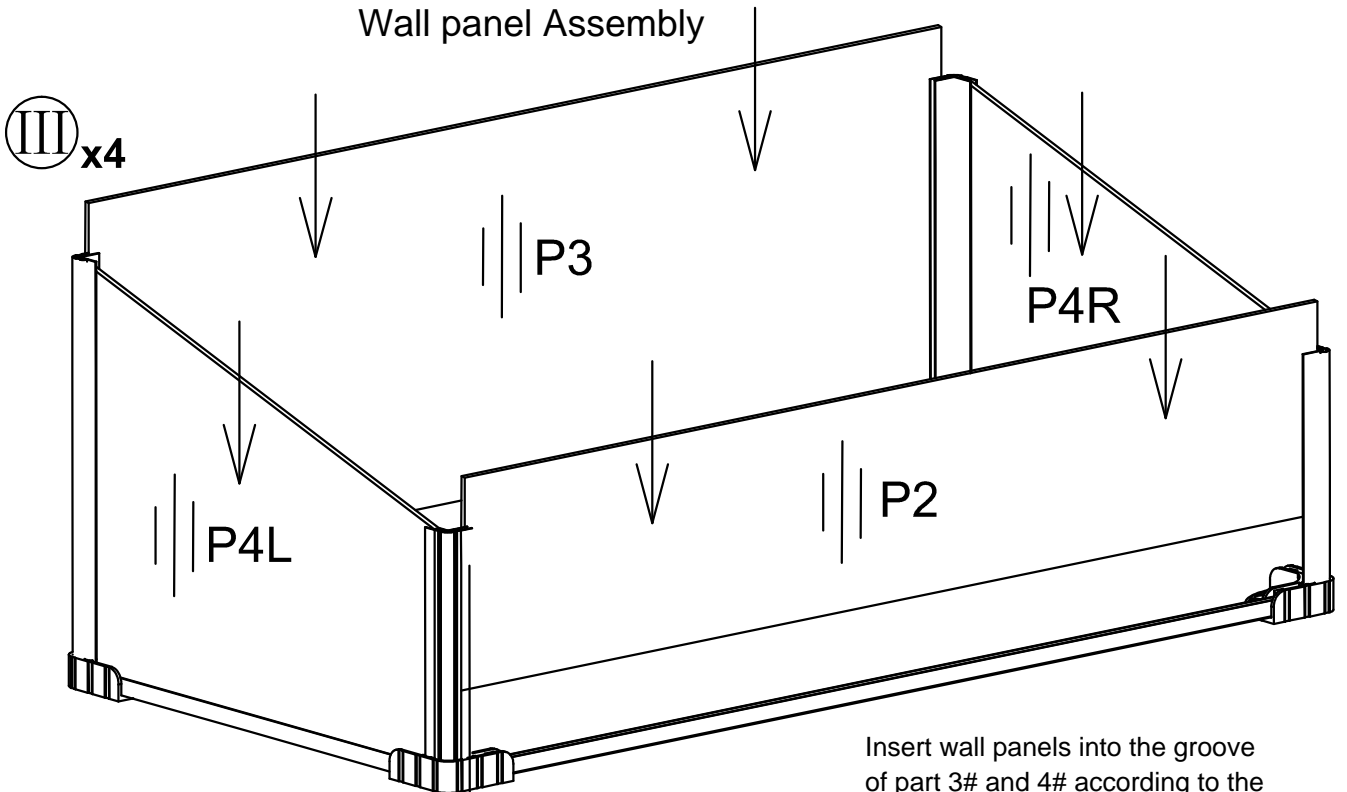


Insert corner posts 3# and 4# into each corner guard S1 and fix them with 1 piece F2 screw.



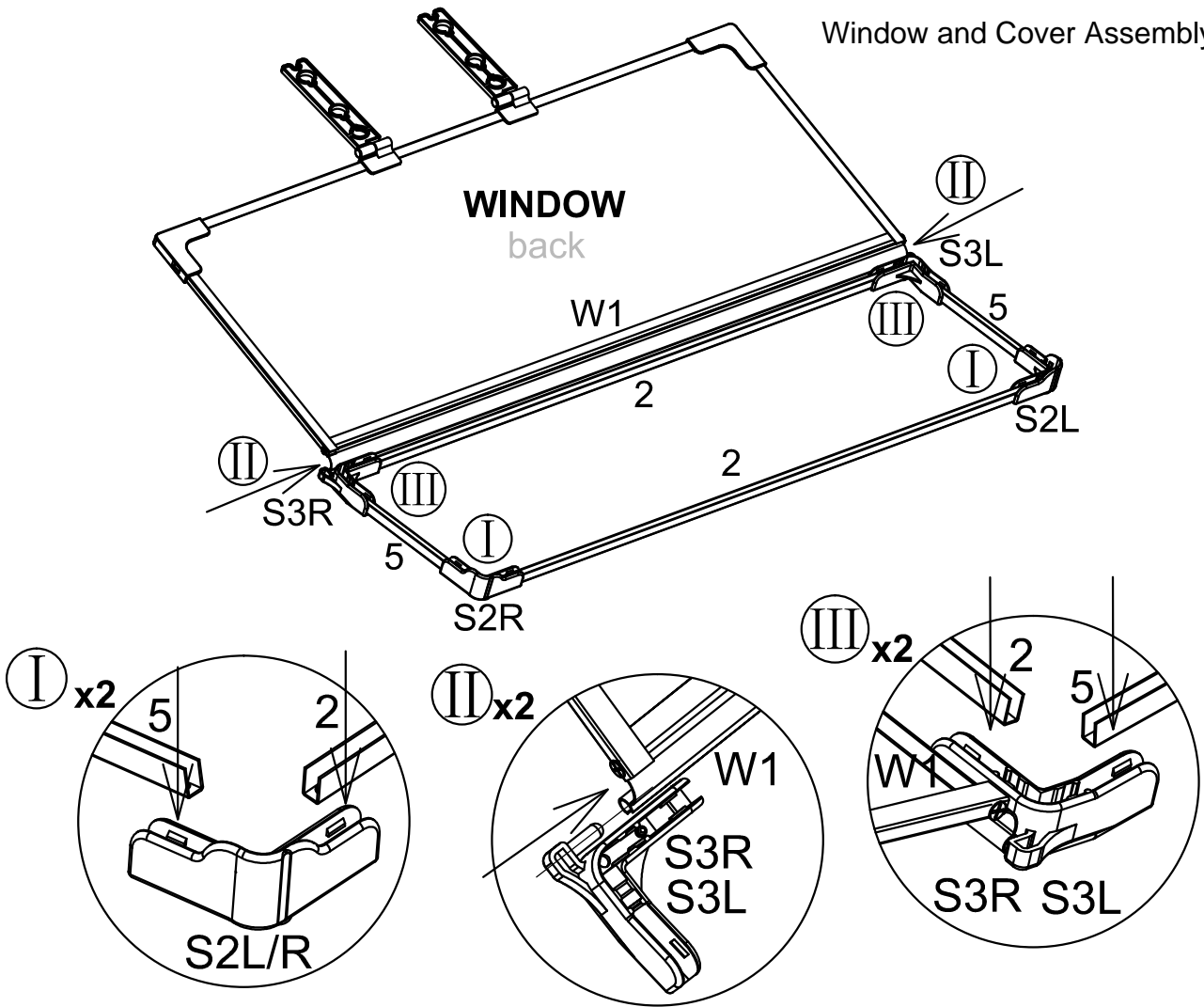
Insert part 1# & 2# into the groove of corner seat S1.

### Wall panel Assembly



Insert wall panels into the groove of part 3# and 4# according to the figure.

Window and Cover Assembly

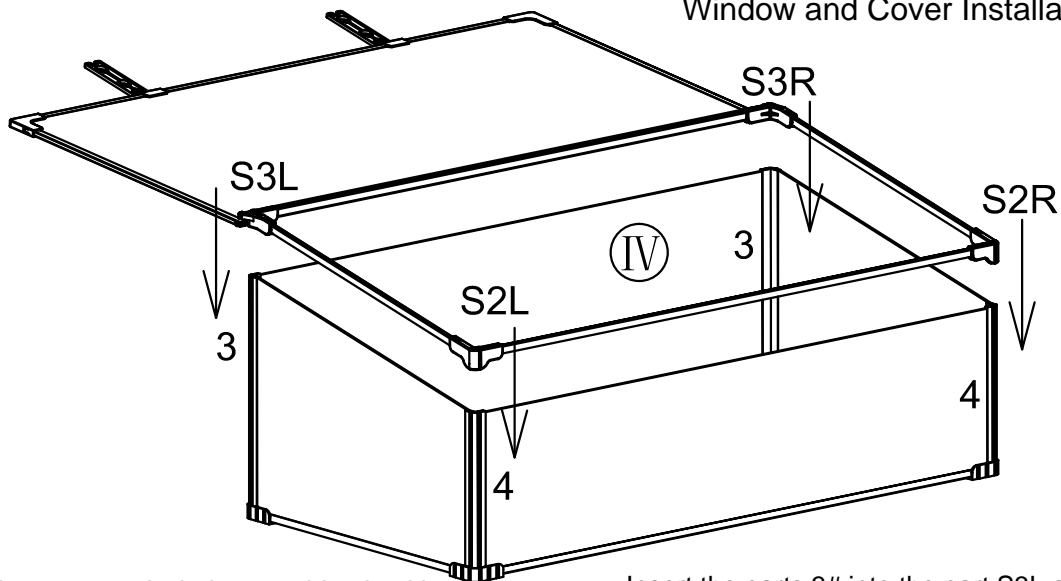


Push the parts 5# and 2# into the groove of S2L/R.

Insert the hump on the part S3R and S3L into the circled groove of W1.

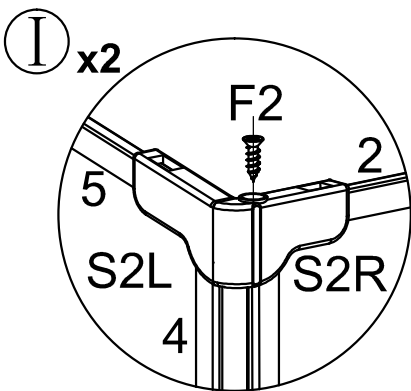
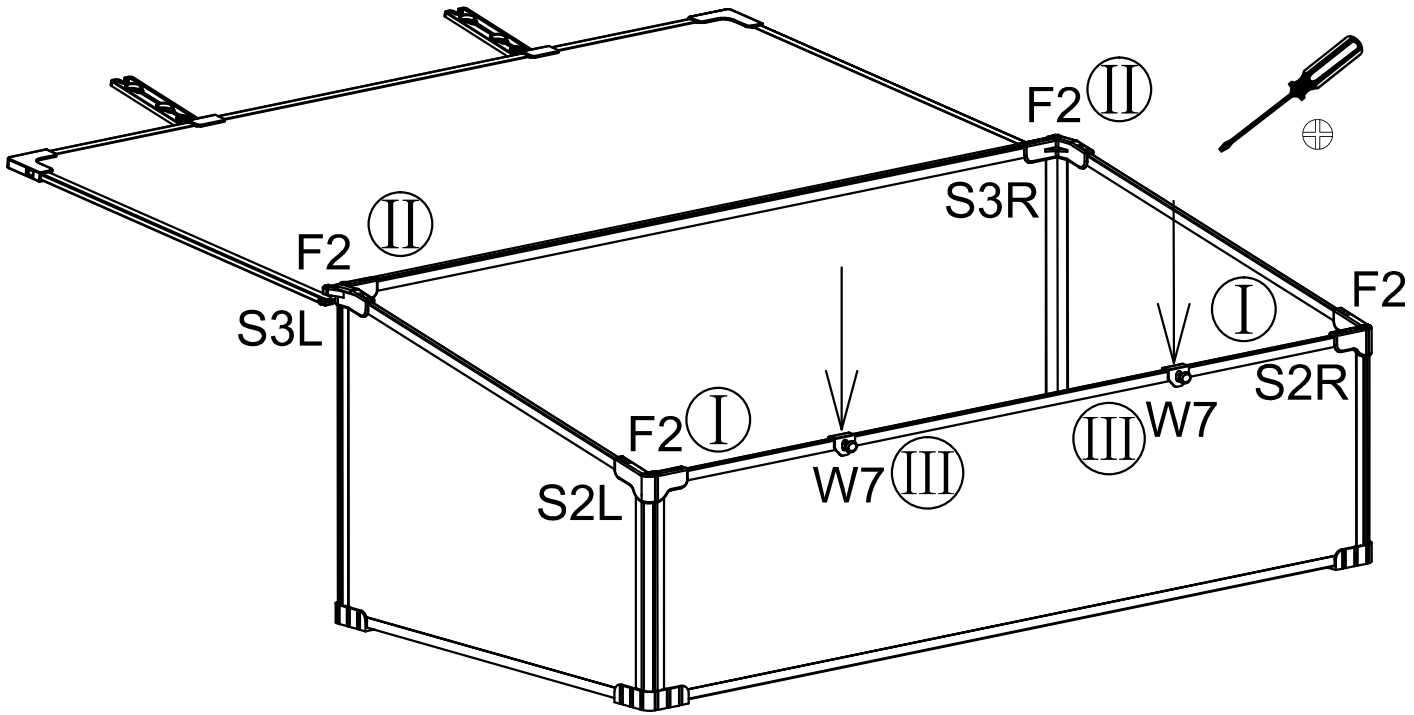
Push the parts 2# and 5# into the groove of S3R/L.

Window and Cover Installation

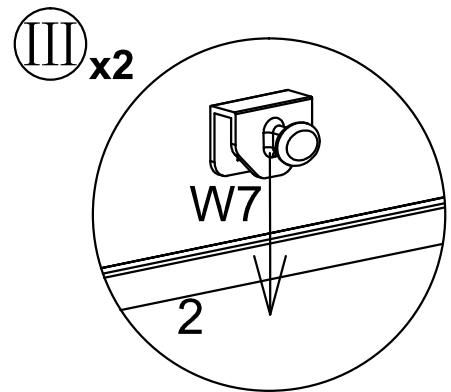
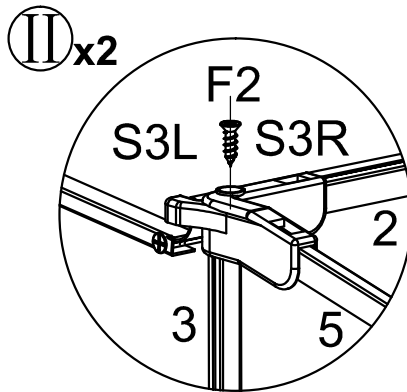


Install the cover and window combination kit onto the assembled frame.

Insert the parts 3# into the part S3L and S3R, and the parts 4# into the part S2L/R.



Fix each part S2L/R and S3L/R with 1 F2 screw.



Buckle W7 up to part W7.



## Maintenance:

1. Please prevent adding any increased weight to the product.

## PC Panel Maintenance:

1. Be careful not to have a sharp object touch the film as it may scratch.
2. Clean films regularly to keep the light transmittance as clear as possible.
3. The boards/panels have flame retardant polycarbonate material applied to them and is recommended to keep away from fire to avoid softening or deformation.

## Frame Maintenance:

1. The frames are made of aluminum alloy structure. If white spots or dirt is shown, please wipe with a wet cloth. White spots are normal in a wet/warm environment.

## Weather Protection:

1. **WARNING:** If there is lightening, do not stay in or under the product. The frames is conductive, and may cause serious damage.
2. When wind power reaches 40mph or above, you may need to set up defense equipment and fix the greenhouse wall.
3. During snowy months, please remove any snow from greenhouse to avoid any walls or roofs from collapsing.

# Outdoor Products

## 1-Year Limited Warranty Program

For a period of one (1) year after purchase, Hanover ("Manufacturer") will either repair or replace defective components in accordance with this Limited Warranty. This warranty is between Manufacturer and the original purchaser and is valid only when accompanied by the original purchaser's sales receipt showing original date of purchase and location of purchase. Replacements under this warranty revert back to the date of original purchase for future warranty.

Manufacturer or its authorized dealer can accept or reject warranty claims based on its findings. This warranty applies in normal residential use only and is not intended for commercial use. Manufacturer can make substitutions as required of materials, components, and sub-components of comparable value and utility. This warranty is limited to product repair or replacement (to be determined solely by Manufacturer). Warranty return is limited to only the single affected component.

This warranty covers only manufacturing defects and does not cover normal wear and tear, damage due to acts of nature, abuse or misuse, including chemical damage from suntan oil or other chemicals, exposure to extreme heat or cold, abrasion or excessive weight. This product is intended to be used in standard installations only. This warranty is invalid if the product is not used for intended purpose. Manufacturer disclaims liability for any aspect of installation and any inconvenience caused by a defective part of a component.

Certain items are not covered by this warranty. These include, but are not limited to the following:

1. Items subjected to abuse, including abuse intended to simulate failure.
2. Any part which merely exhibits normal wear yet functions essentially as new, including tears/rips, chips, scratches or stretching of materials and stitching.
3. Tears, rips, punctures, scratches or any damage caused by improper installation or use.
4. Fading and/or discoloration of materials resulting from exposure to the elements, chemicals, oils, fluids or any other cause are not covered.

To make a claim, contact us by the email address or the toll-free number below. Please have available a copy of the original sales receipt along with a brief description of the problem. Please also provide your email address and daytime telephone or cell phone #. All items may be charged actual freight costs plus \$15 for handling. Repairs or replacement will be made at the Manufacturer's option. ***Sales and use taxes, plus shipping and handling charges are the responsibility of the consumer.***

**THIS IS THE ENTIRE EXCLUSIVE EXPRESS LIMITED LIABILITY. THE MANUFACTURER NEITHER MAKES NOR IS RESPONSIBLE FOR ANY OTHER WARRANTIES, EITHER EXPRESS OR IMPLIED, INCLUDING THOSE OF RETAILING DEALERS. THIS EXCLUSIVE REMEDY IS LIMITED TO RECEIPT OF A CREDIT IN CONNECTION WITH THE REPAIR OR REPLACEMENT OF ANY PRODUCT OR COMPONENT DEEMED TO BE DEFECTIVE UNDER THE TERMS AND CONDITIONS AS STATED IN THIS WARRANTY. NEITHER HANOVER, THE PRODUCT MANUFACTURER NOR ITS AGENTS SHALL BE LIABLE IN ANY CASE FOR INCIDENTAL, INDIRECT, SPECIAL OR CONSEQUENTIAL DAMAGES RESULTING FROM THE USE OF THIS PRODUCT OR ARISING OUT OF ANY BREACH OF THIS WARRANTY OR NEGLIGENCE EVEN IF IT HAS BEEN ADVISED OF THE POSSIBILITY OF SUCH DAMAGES. EXCEPT AS OTHERWISE MAY BE REQUIRED BY LAW, THERE ARE NO OTHER EXPRESS OR IMPLIED WARRANTIES OTHER THAN THE WARRANTY DESCRIBED HEREIN, AND ALL OTHER WARRANTIES, INCLUDING ANY IMPLIED WARRANTY OF MERCHANTABILITY OR FITNESS FOR A PARTICULAR PURPOSE ARE EXPRESSLY DISCLAIMED.**

Contact Warranty Services at **1-877-397-5144**

Or email us at:

**ContactUs.Hanover-Products.com**

or

**www.Hanover-Products.com**

8/1/2019