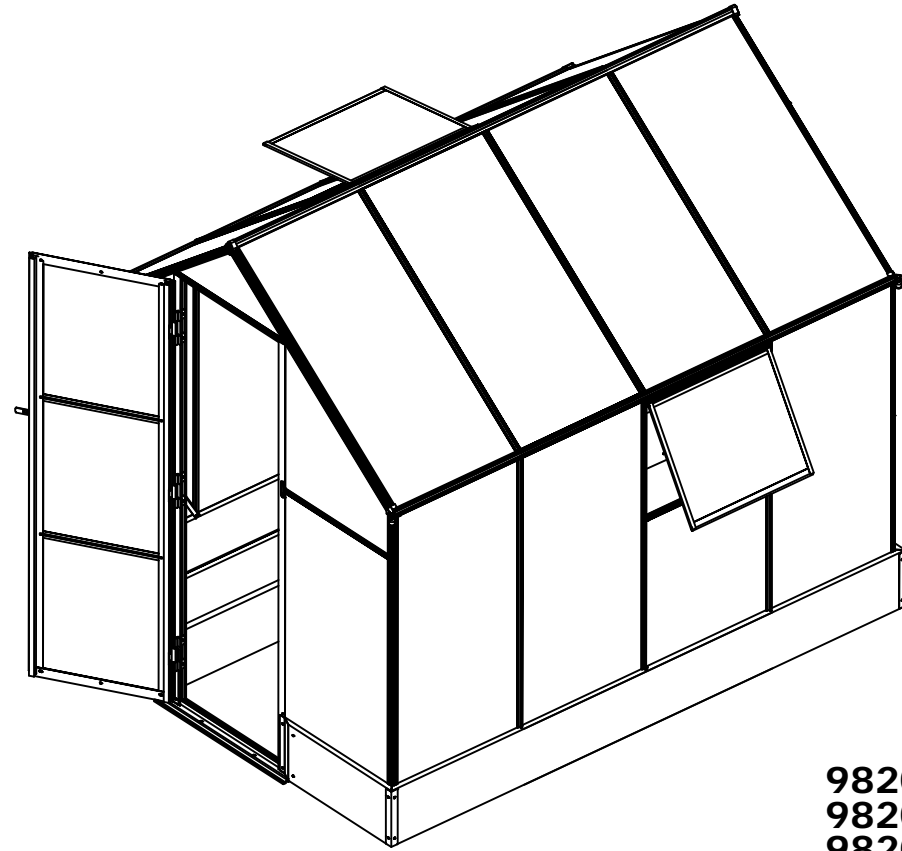


Greenhouse

Assembly Instruction

Overall Size/CM: L250 x W190 x H220
Overall Size/inch: L98"x W75"x H86"



9820103-1
9820103-2
9820103-3

IMPORTANT

You must read these instructions carefully before you start to assemble it.

Please ensure that you find all parts in the correct type and quantity as mentioned in the list.

Please carry out the steps according to the instructions.

Do not tighten the steps until completing on the assembly of the whole product.

Keep the instruction manuals in a safe place for future reference.



IMPORTANT

If you have any problems with this product, please

DO NOT RETURN THIS ITEM

To the Retailer/Store from where you purchased the product.

Please email us anytime with the nature of the problem at:

ContactUs@Hanover-Products.com

Please include:

- Pictures of the issue(s) and receipt (if available)
- Name and address of the Purchaser
- Name of retailer

Or call our Customer Service team between 9:00 AM and 5:00 PM Eastern Time,
Monday through Friday at:

1-877-397-5144

or visit our website at:

www.Hanover-Products.com

To expedite any future warranty claims, please retain your receipt for future use.

For additional on-line support on assembly, troubleshooting and care & maintenance of your outdoor product, please visit our website at: **www.Hanover-Products.com**.

8/1/2019

2

SAFETY ADVICE

We strongly recommend the use of work gloves during assembly.
Do not attempt to assemble the greenhouse in windy or wet conditions,
Do not touch overhead power cables with the aluminum profiles.
Always wear shoes and safety goggles when working with extruded aluminum.
Dispose of all plastic bags safely. Keep them out of reach of small children.
The greenhouse must be positioned and fixed on a flat level surface.
Do not lean against or push the greenhouse during construction.
Keep children away from the assemble area.
Do not position your greenhouse in an area exposed to excessive wind.
Do not attempt to assemble this greenhouse if you are tired ,have taken drugs or alcohol or if you are prone to dizzy spells.
If using a step ladder or power tools ensure that you follow the manufactures safety advice.
Ensure there are no hidden pipes or cables in the ground before inserting the pegs.

GENERAL ADVICE

This is a multi-part assembly and needs at least 3-4 hours for assembly.
Selecting a site-choose a sunny level position away from overhanging trees.
If you are fixing your greenhouse directly to a solid concrete foundation use the pre drilled holes in the metal base supplied.
The component parts should be checked and laid out close at hand.
Keep all small parts(screws etc)in a bowl so they do not get lost.
Note that the door is hinged on the right hand side and therefore opens to the right.
Keep roof clear of snow and leaves.

CARE & MAINTENANCE

When your greenhouse need cleaning, use a mild detergent solution and risen with cool clean water.
Do NOT use acetone, abrasive cleaners or other special detergent to clean the panels.

TOOLS & EQUIPMENT REQUIRED

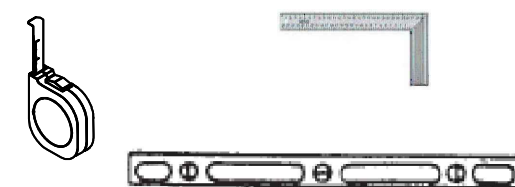
Protective Equipment:

1. Helmet
2. Glove
3. Long Sleeve Cotton Overalls
4. Emergency Medicine Cabine
5. Eye Shield



Measure (metric):

1. Tape (10feet)
2. Angle Square
3. Level Meter



Advised Installation Tools:

1. Triangle Stair 5 feet height
2. Spanner 10mm / (25/64) (Ratchet Wrench is better)
3. Spanner 14mm / (35/64) (Install the expansion screw)
4. Hexagon wrench 5mm (13/64) inch
5. Electric screwdriver + 5mm (13/64) inch hexagon wrench
6. Wooden Mallet
7. Marking Pen
8. Percussion bit (10mm) (25/64)
9. Knife
10. Phillips screwdriver



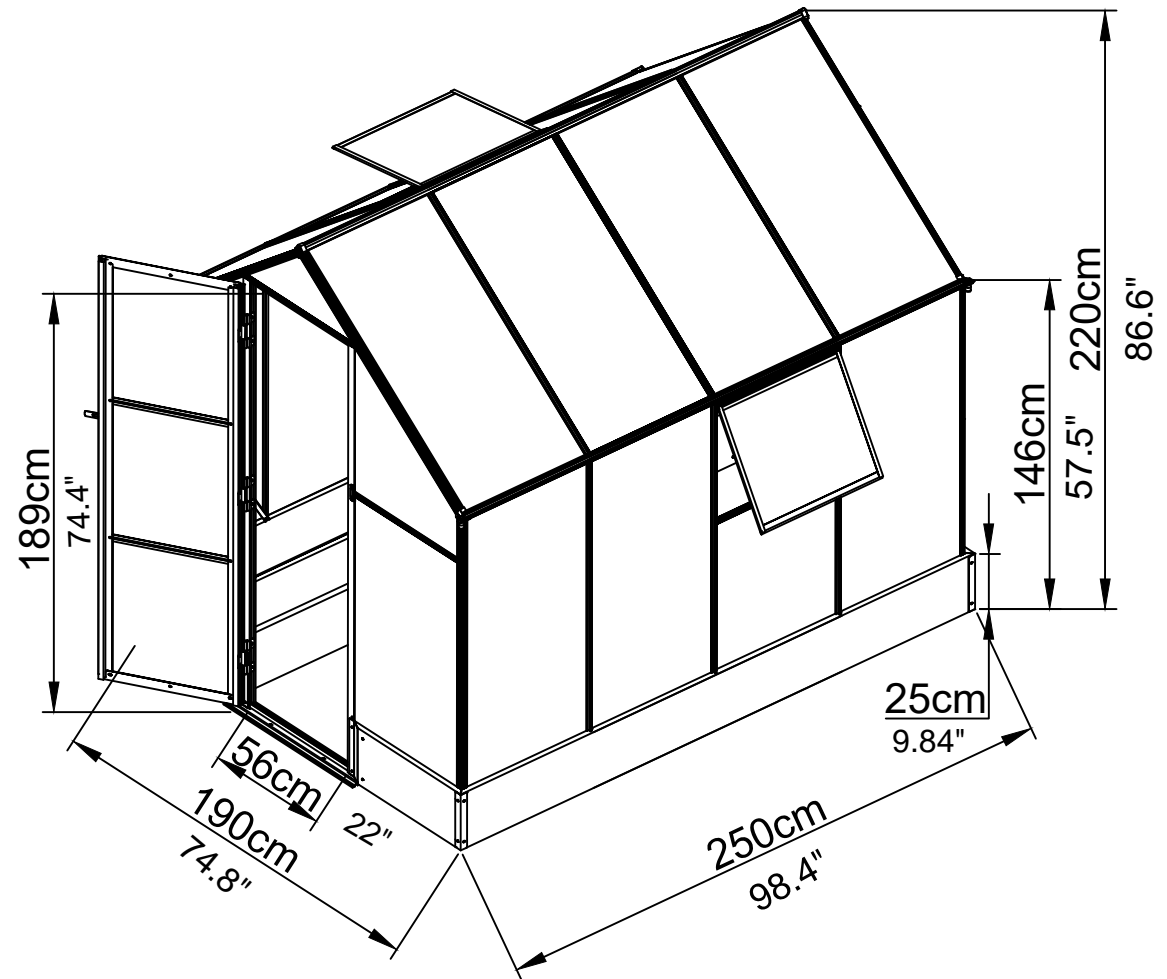
Silicon

PRODUCT SIZE

Find a flat ground which is nearly 2 times bigger than the Green house before installation.



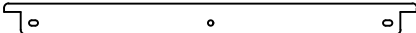


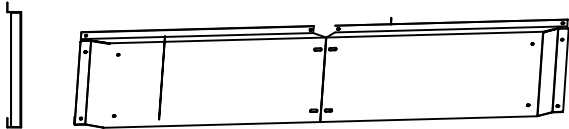






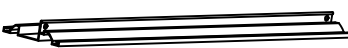




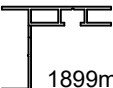
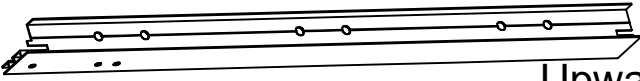

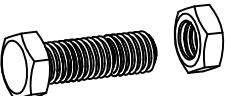
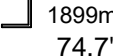
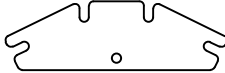
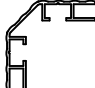

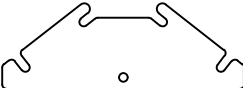

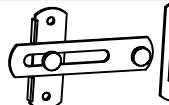
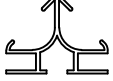

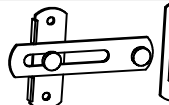

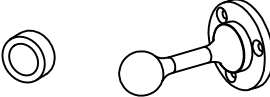
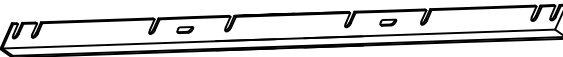
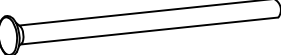

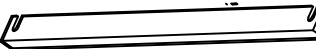
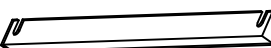
OTHER CAUTIONS

1. 3 people required. One is for measuring & taking marks to ensure the installation dimension.
The second person is responsible for the installation
The last one do as assistant and assure the safety.
2. High-power electric tools are required, ensure the normal work of them and highly pay\attention to electric safety.
3. Be careful when using the kind of blunt tools, like hammer.
4. Wearing long sleeve cotton overalls,gloves and helmet during installation and wea safety glasses when using power tools.
5. Don't look up if not wearing eye sheld because screws may hurt your eyes.
6. No climbing, No standing on the tent to avoid falling down.





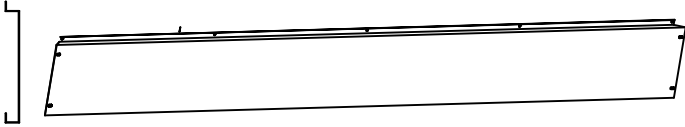
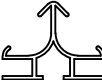







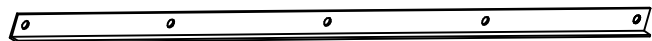

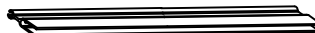
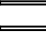
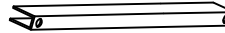
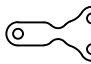

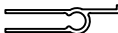






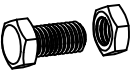















Part list for 9820103 Greenhouse (3-1)

Front wall and back wall

NO.	Qty.			NO.	Qty.				
D1	2		 1852mm 72.9"	D3	2		550mm 21.6"		
D2	4		 493mm / 19.4"	NBP1	1		1328mm 52.2"		
5	3		 60mm / 2.36"	NBP2	1		1897mm 74.7"		
6	6		 40mm / 1.57"						
D7	1		 735mm / 29"	NO.	Qty.		NO.	Qty.	
D5	1		 632mm / 24.9"	C2	8		F1	6	
9L	1		 Upward	B4	4		F6	6	
9R	1		1899mm 74.7"	B5	4				
7	4		 1197mm 47"	B6	2				
16	4		 1142mm 45"	L3	1				
10L	1		 1674mm 65.9"	L3-1	1				
10R	1	Upward		L2	1				
14	1		 1838mm 72.3"	L5	3				
22	4		 1200mm/47.2"						
23	4		 1100mm/43.3"						

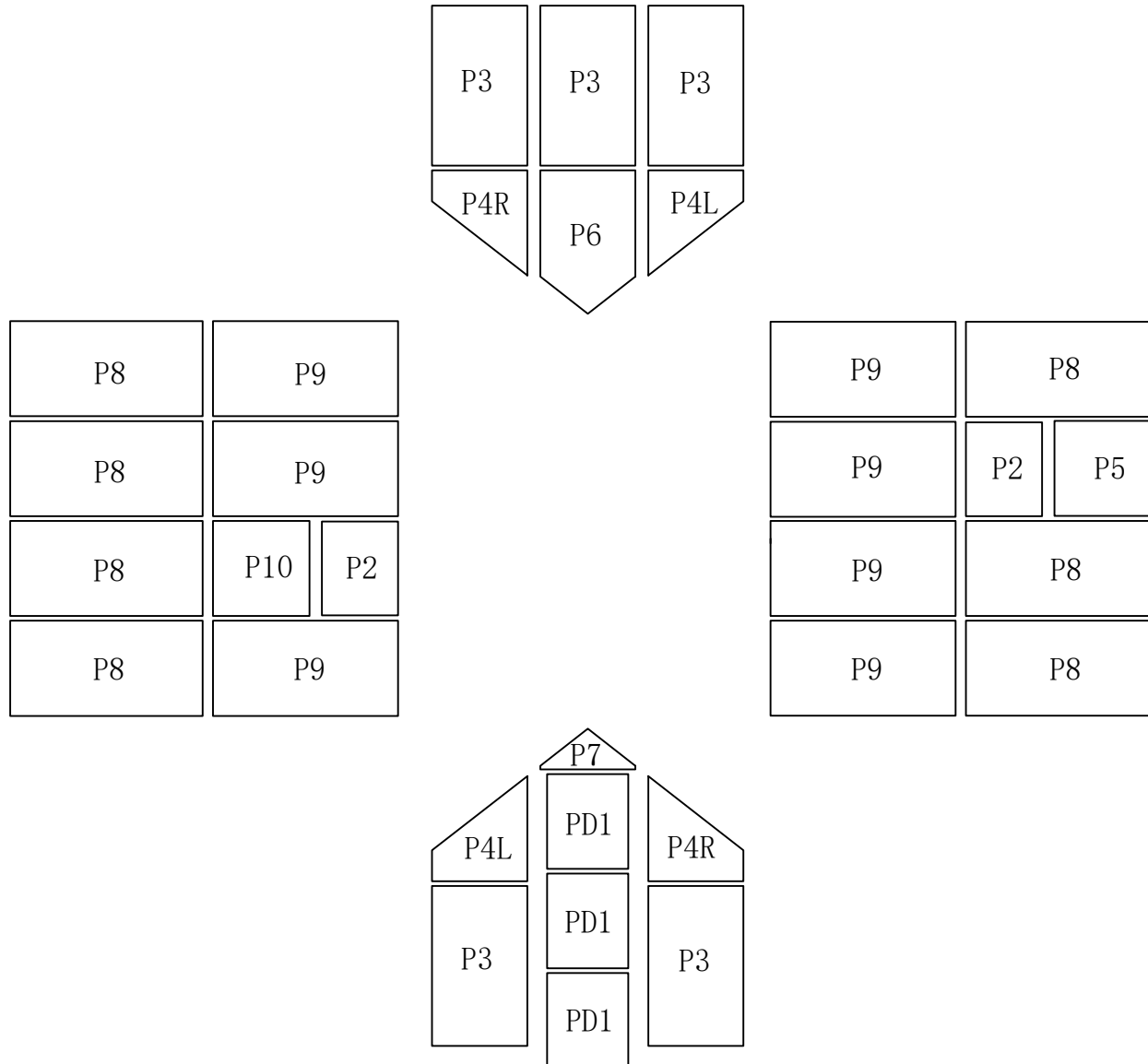
Part list for 9820103 Greenhouse (3-2)

Left and right walls and top

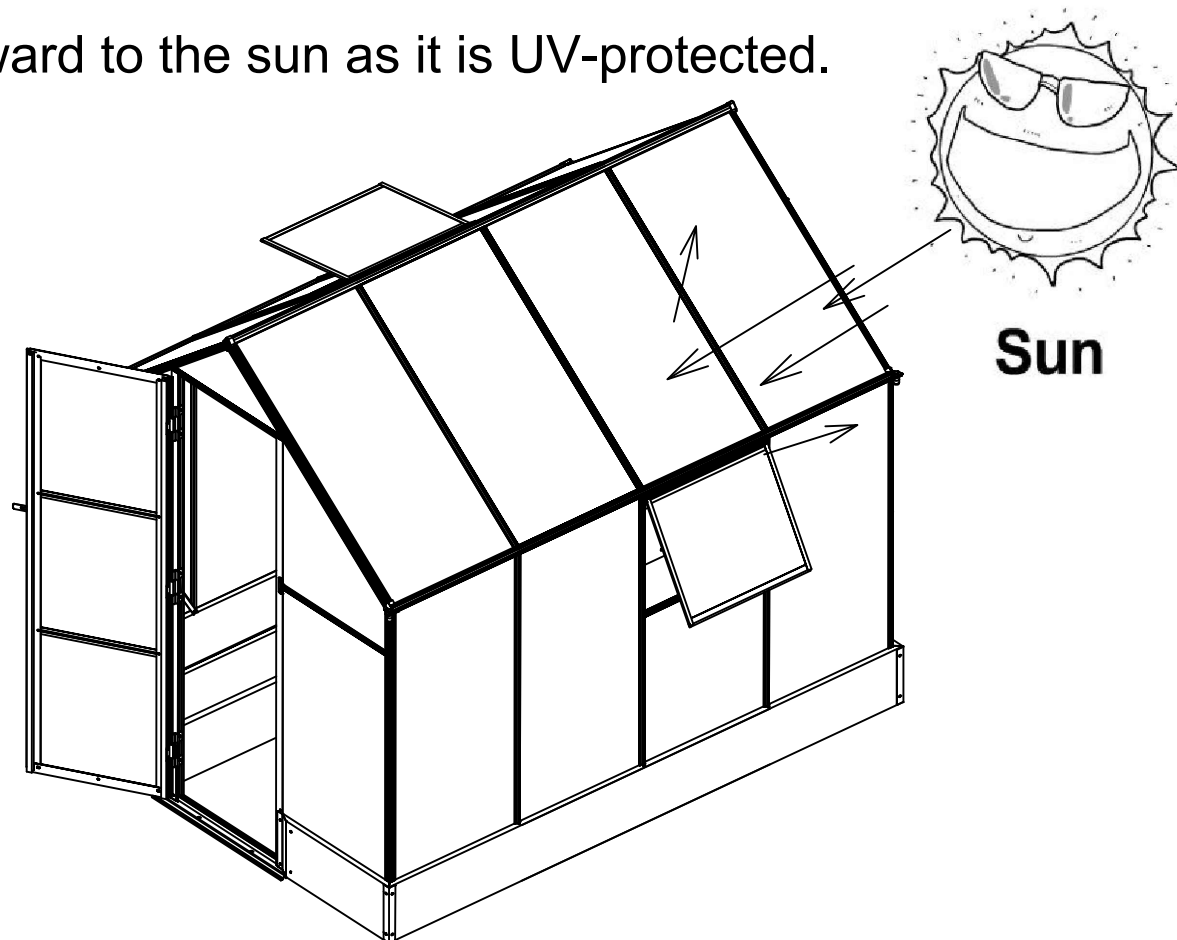
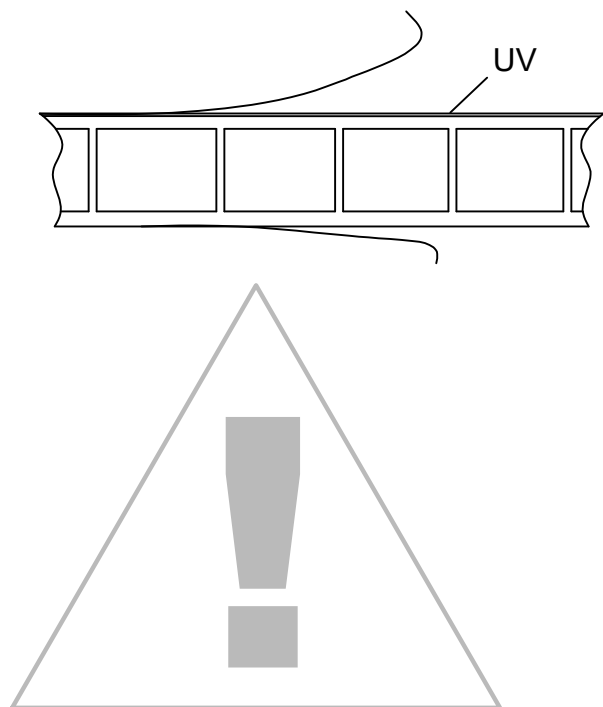
NO.	Qty.			NO.	Qty.				
15	7		 578mm / 22.75"	NBP5	2		2501mm 98.5"		
19	6		 1197mm 47"						
20	6		 1142mm / 45"						
26	2		 580mm / 22.8"	PB1	2		2442mm 96"		
27L	2		 2440mm 96"						
W1	2		 588mm / 23"	NO.	Qty.		NO.	Qty.	
W2	4		 500mm / 19.7"	B3	2		F2	8	
W3	2		 588mm / 23"	3B	4		F3	48	
W4	2		 380mm / 15"	PB03	4		F4	154	
B7	2		 200mm / 7.8"	S2	13		F8	2	
8	2		 2440mm 96"	S5	2		F9	2	
25	2		 2433mm 95.8"	S6L	2		F04	n	M5 
17	1		 2440mm 96"	S6R	2			F03	n
				S8	2				
				S9	2				

Part list for 9820103 Greenhouse (3-3)

Summary of polycarbonate panel



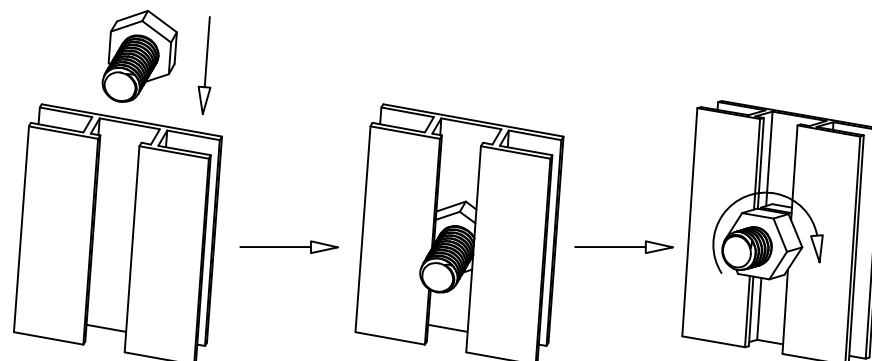
The white film side should be toward to the sun as it is UV-protected.



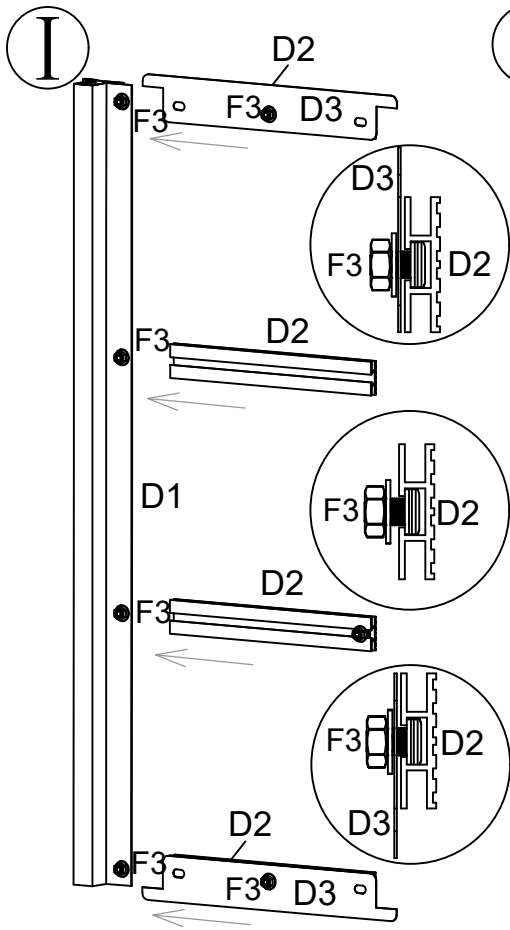
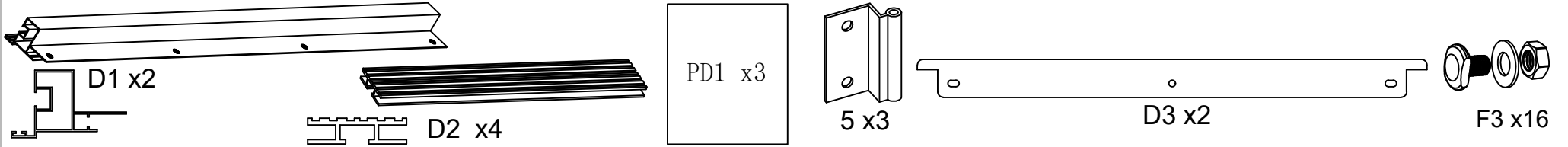
"hexagonal screw" Pre-placed

Place the "hexagonal screw" into the groove, turn clockwise until it stops turning.
Adjust the "hexagonal screw" by hand and twist so threads fix it in place.
Place other parts on "hexagonal screw" and assemble nut.

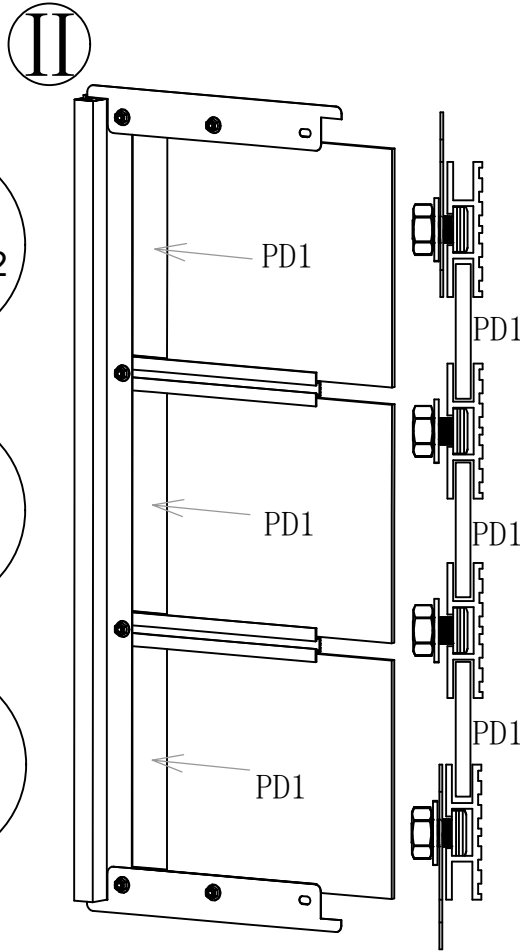
Do not fully-tighten screws



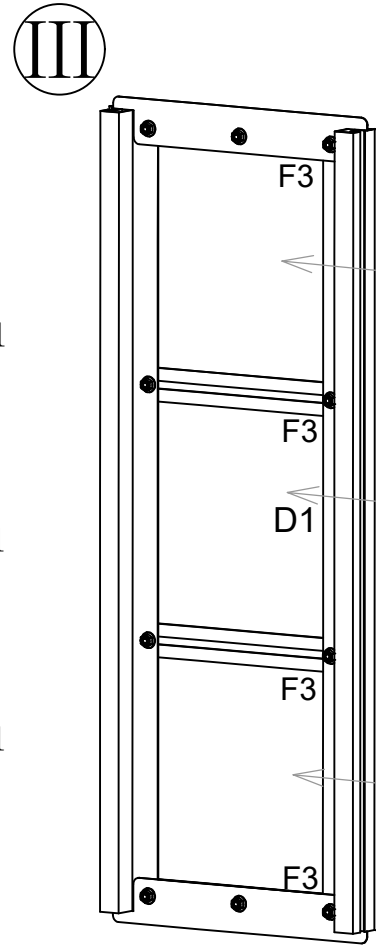
Door Assembly



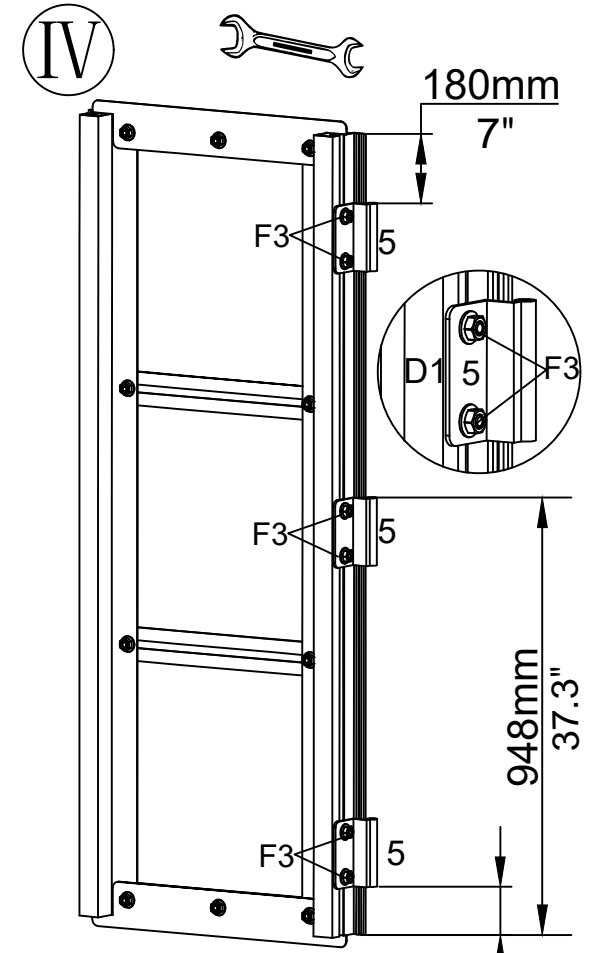
Door Frame Assembly - Step 1



PC Panel Installation

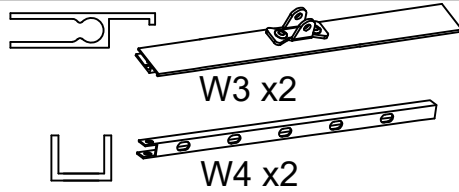
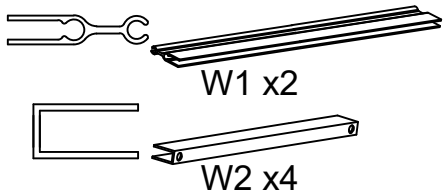


Door Frame Assembly - Step 2

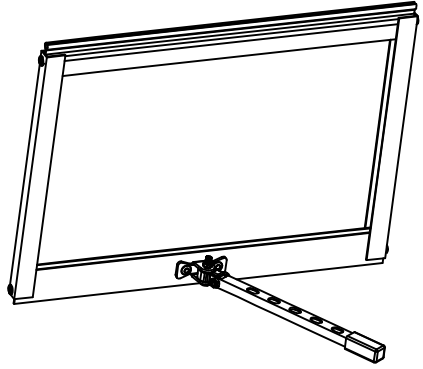


Hinge Installation 180mm
7"

Window Installation



WINDOWS x2

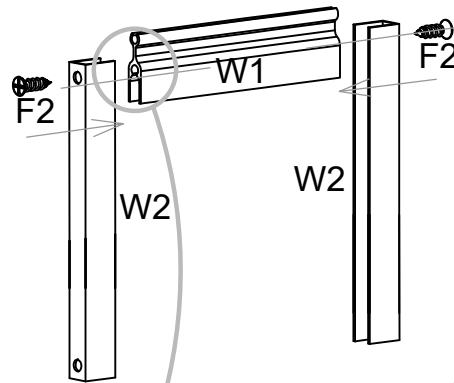
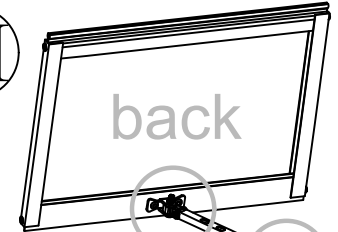


I

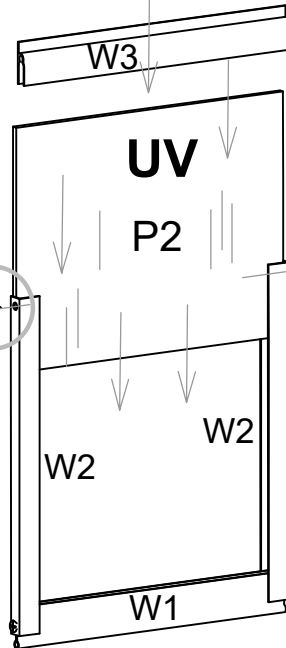


II

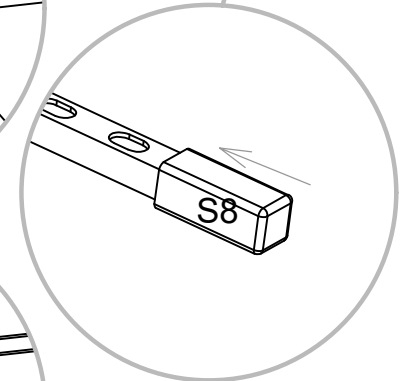
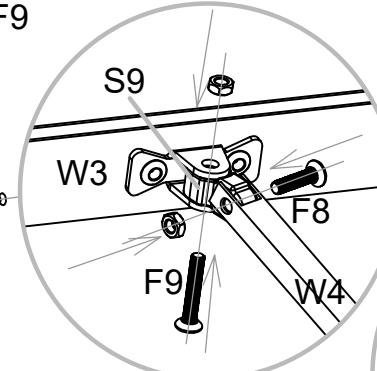
III



Note the UV surface should be toward the Sun.
Note the direction of part No.3



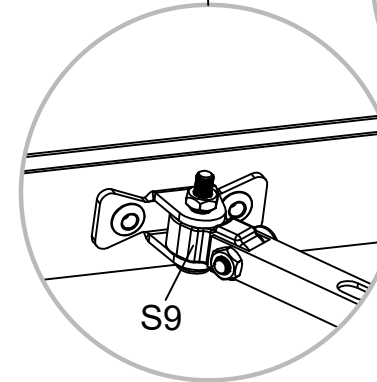
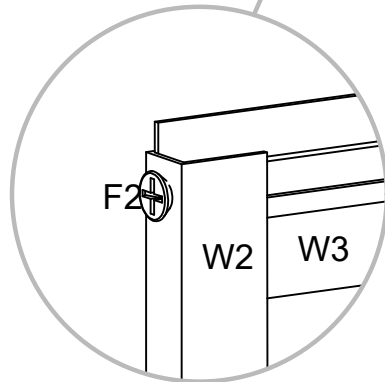
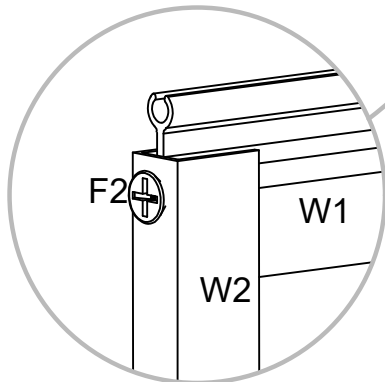
Note the direction of parts F8 and F9

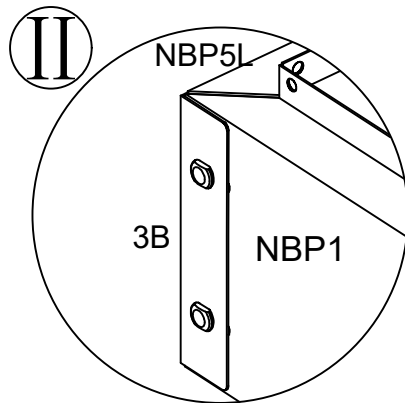
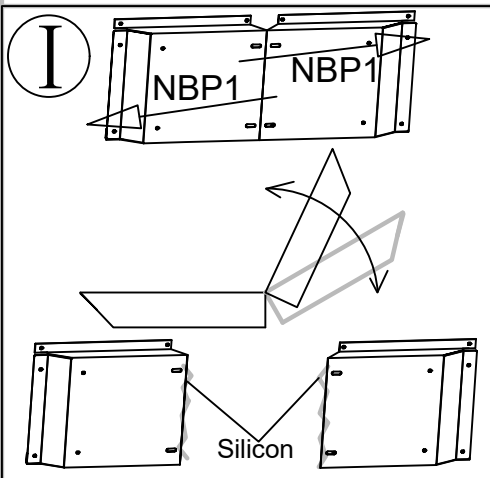
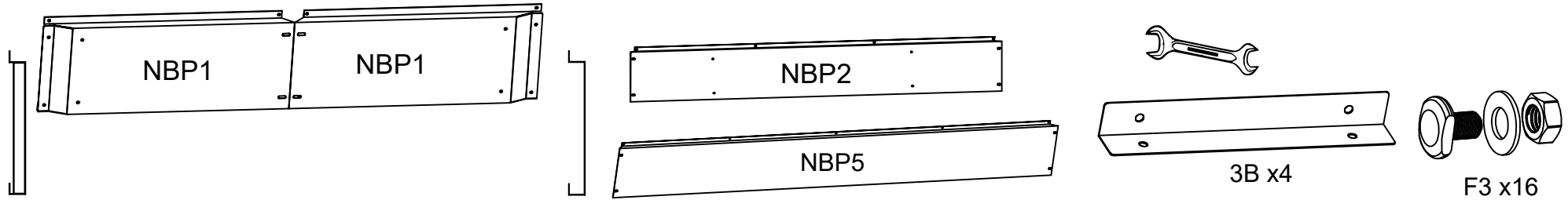


Window supporting knob

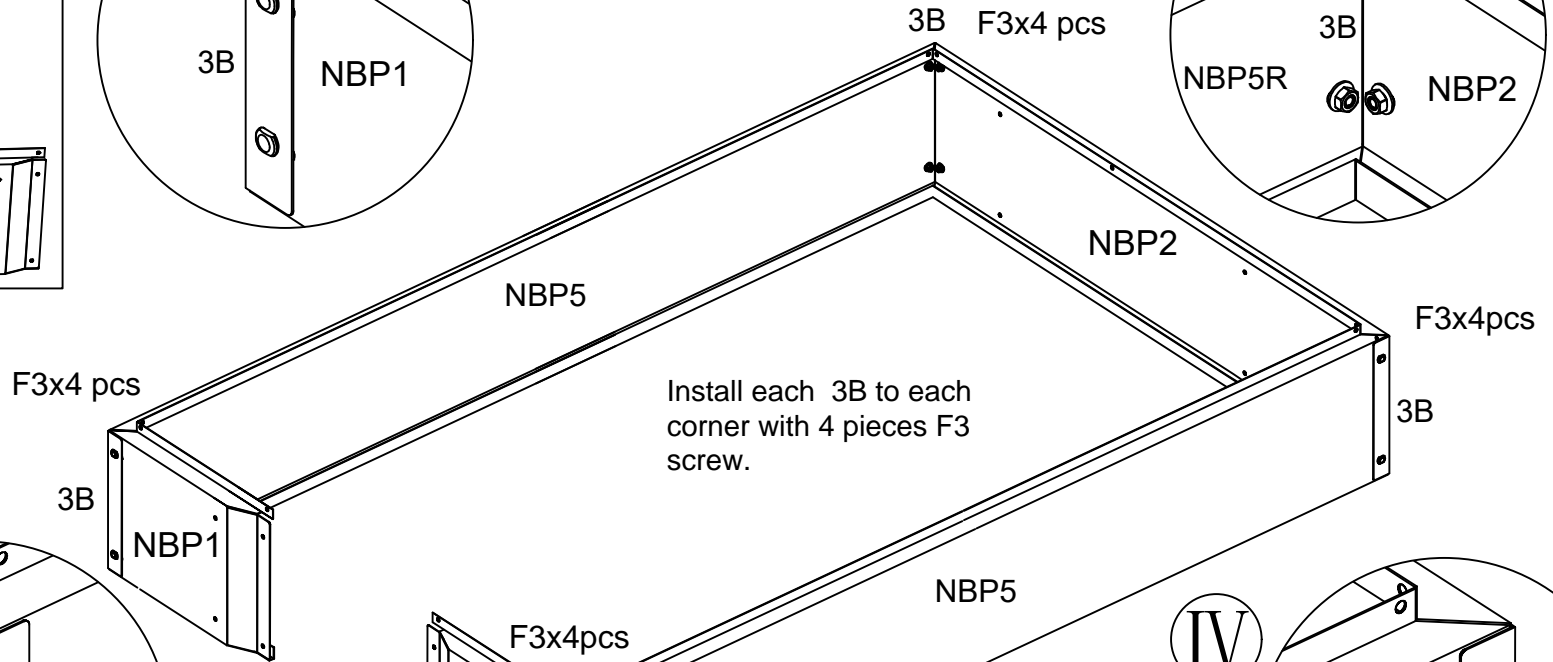
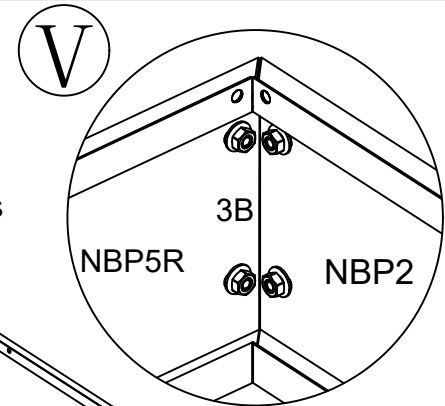


F2 screws can be screwed easier if using lubricants.

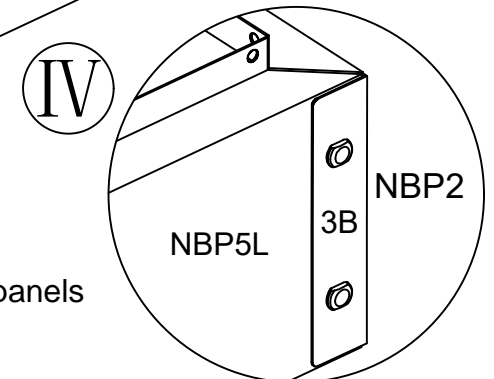
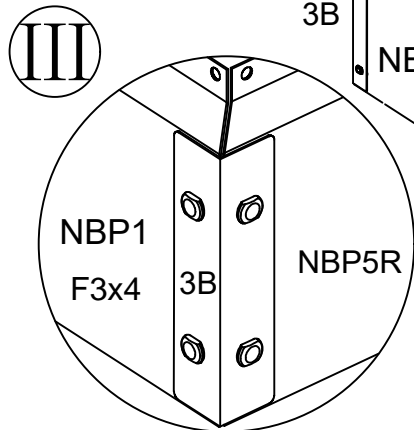




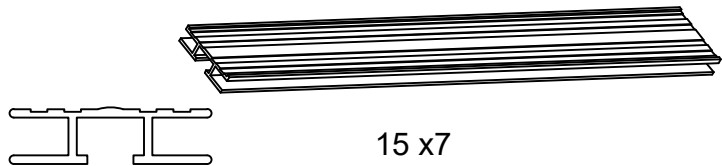
Base Assembly



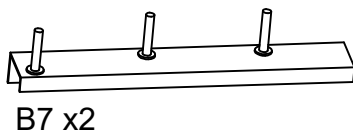
Install each 3B to each corner with 4 pieces F3 screw.



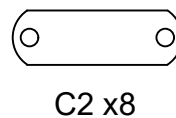
Connect and reinforce the base panels with 3 Bcorner guard part.



15 x 7



B7 x 2



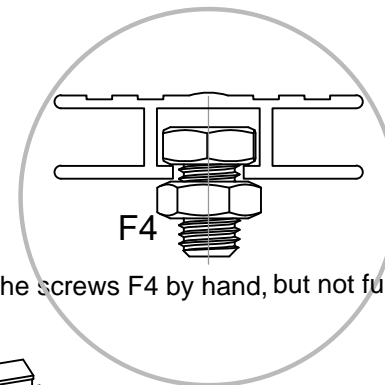
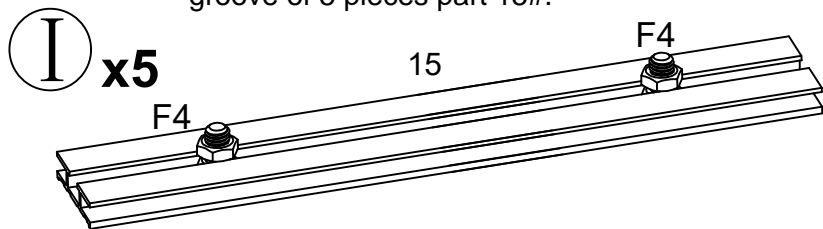
C2 x 8



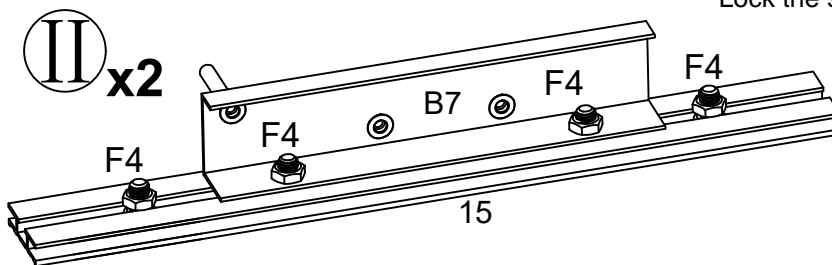
F4 x 26



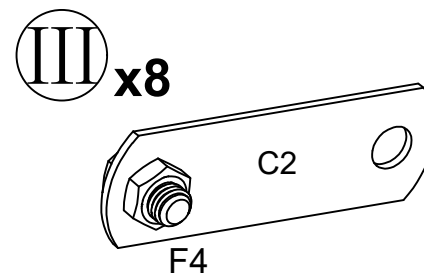
Pre-place 2 pieces F4 screws in the groove of 5 pieces part 15#.



Lock the screws F4 by hand, but not fully-tightened.

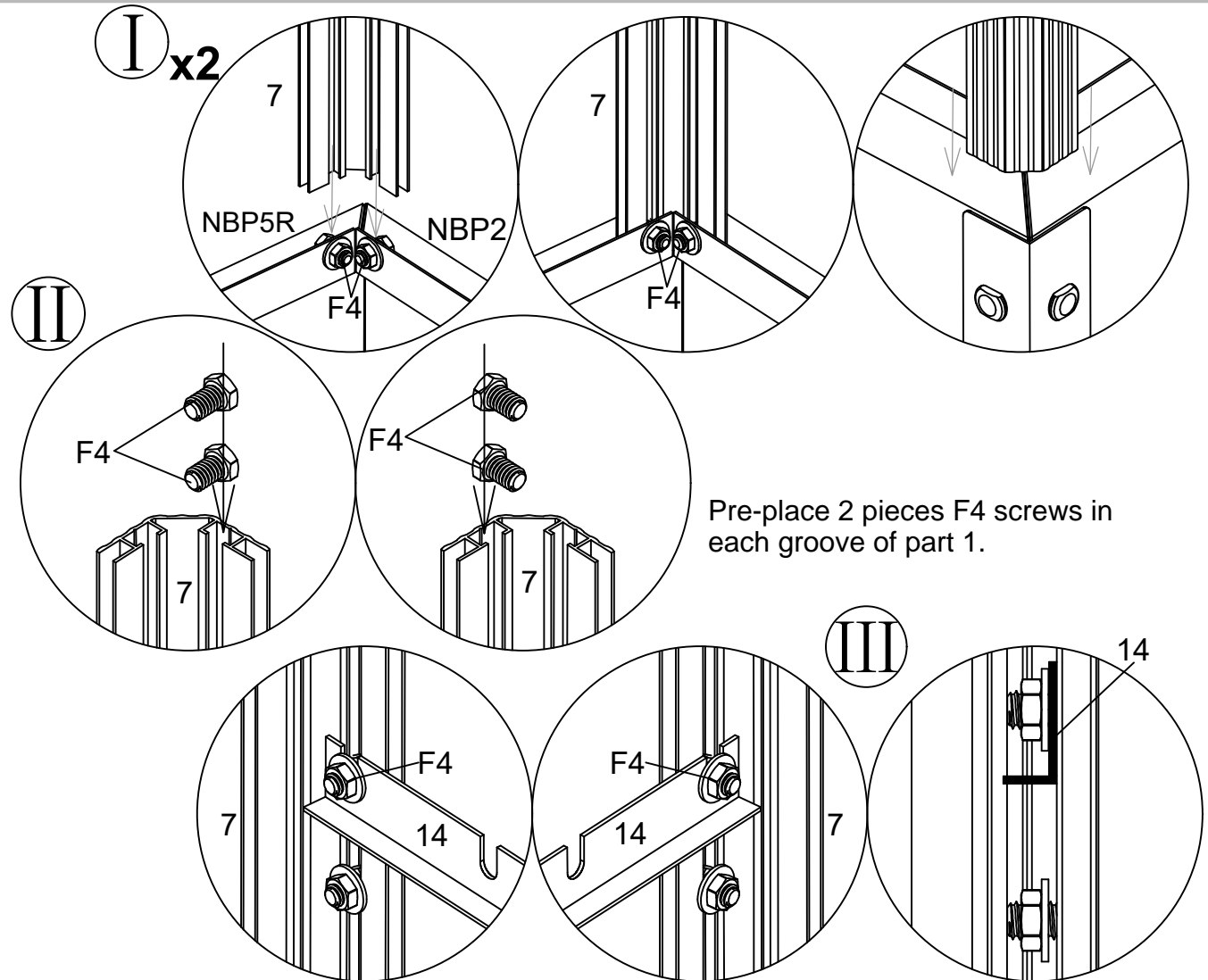
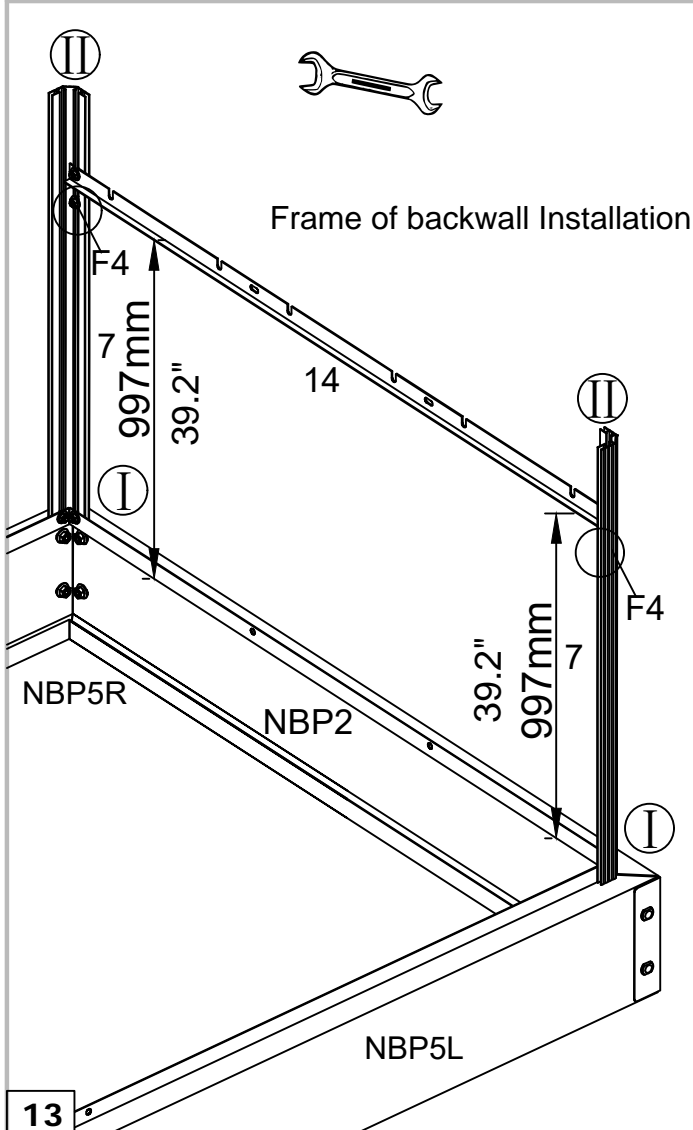
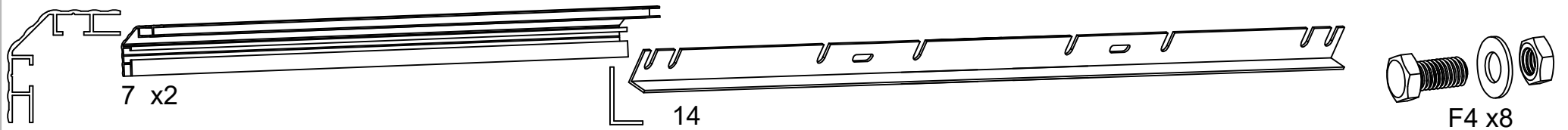


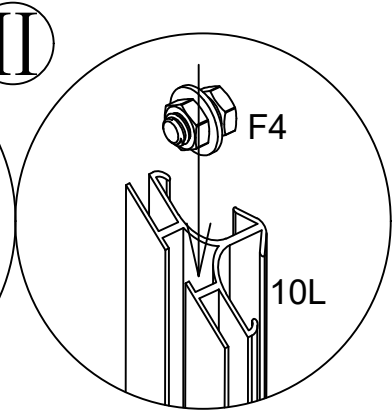
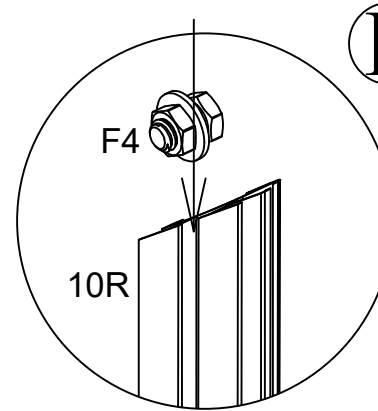
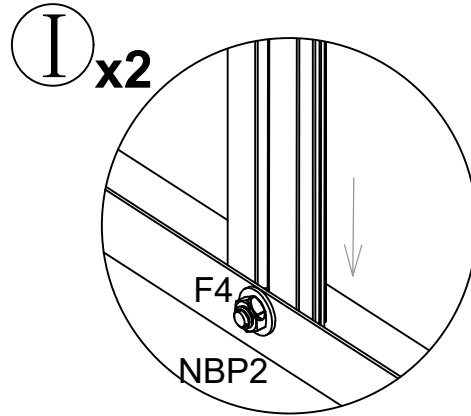
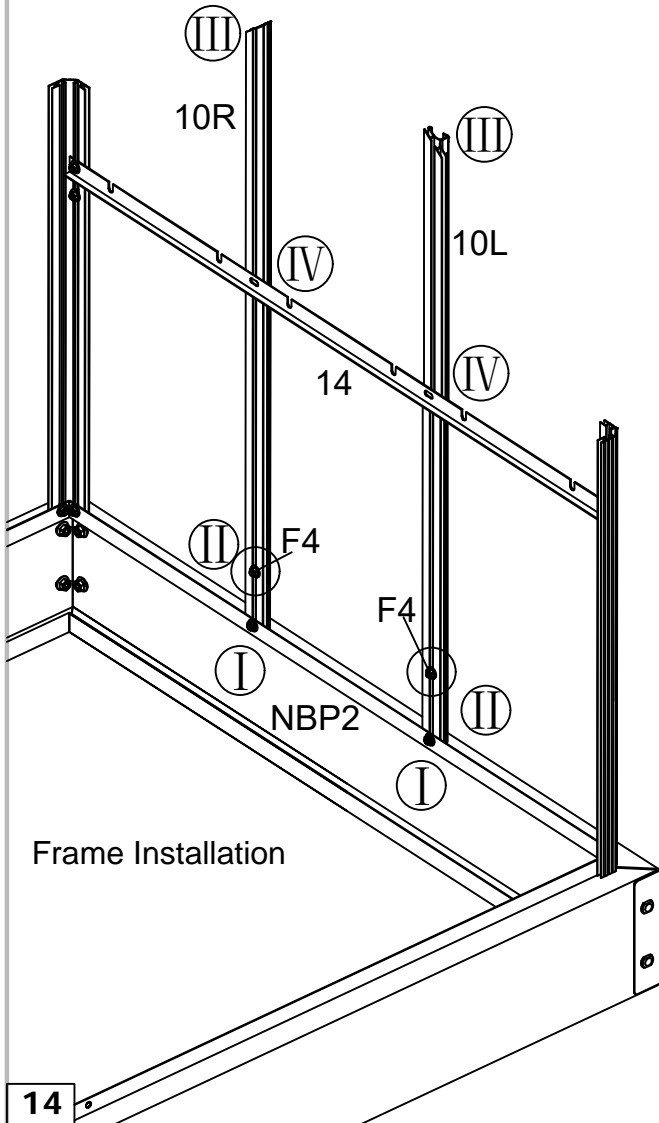
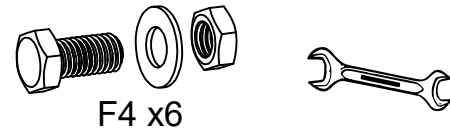
Preplace 4 pieces F4 screws for 2 pieces part 5, then install 1 piece part B7 on each part 5# with the middle 2 pieces F4 screws preplaced previously.



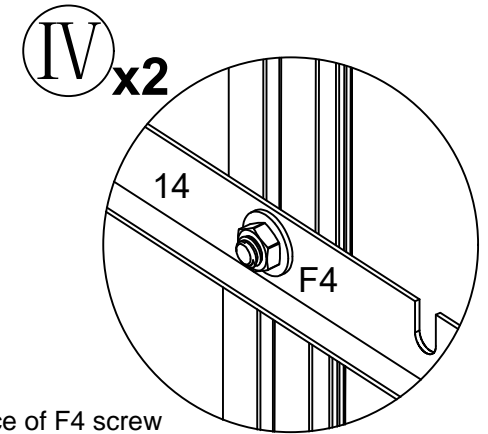
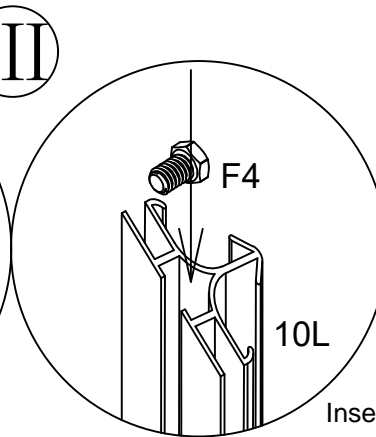
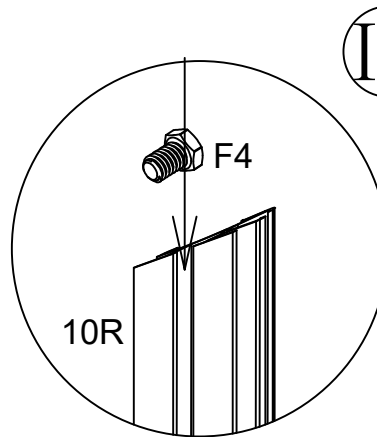
Pre-fix 1 piece F4 screw onto the part C2.

Back Wall Installation

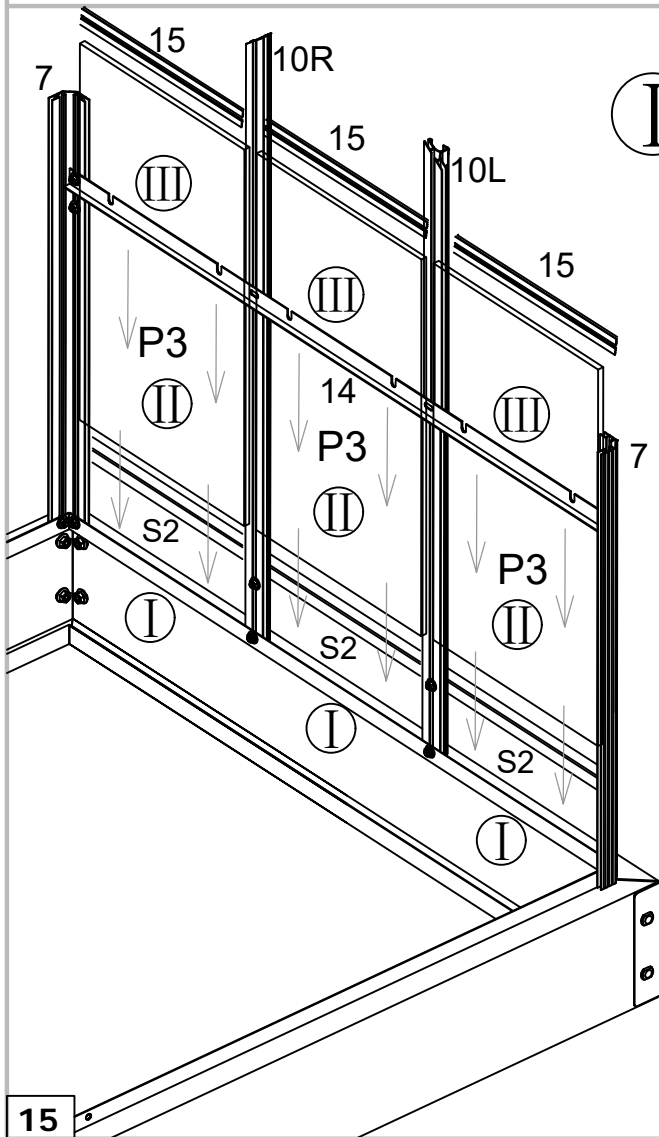
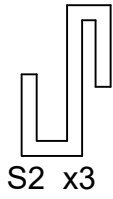
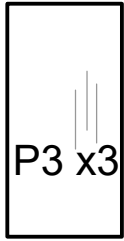




Pre-place 1 piece of F4 screw into the part 10L/10R.

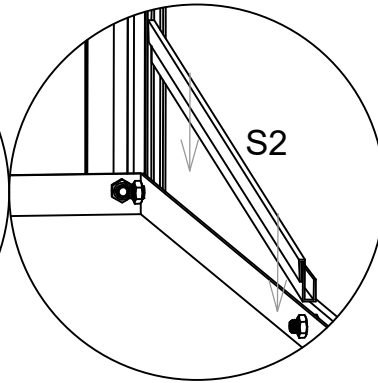
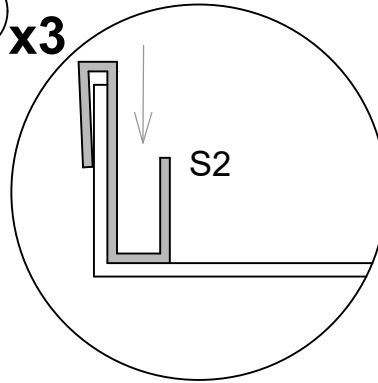


Insert 1 piece of F4 screw into the groove of 10R/L, then fix 10R/10L to part 14 with this piece of screw.

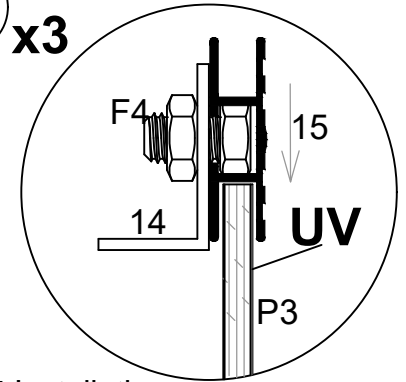


PC Panels Installation

I x3



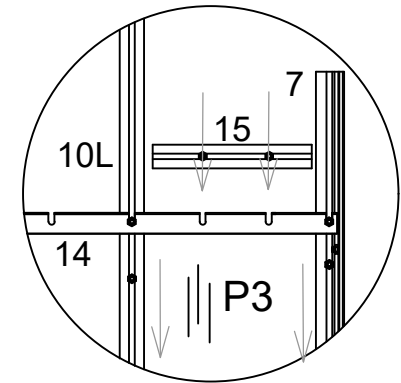
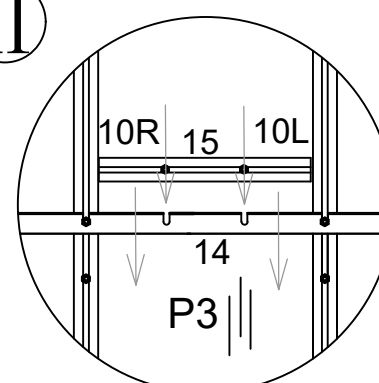
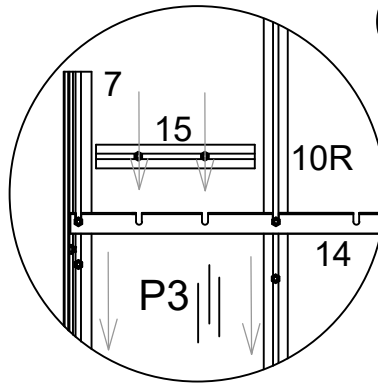
III x3



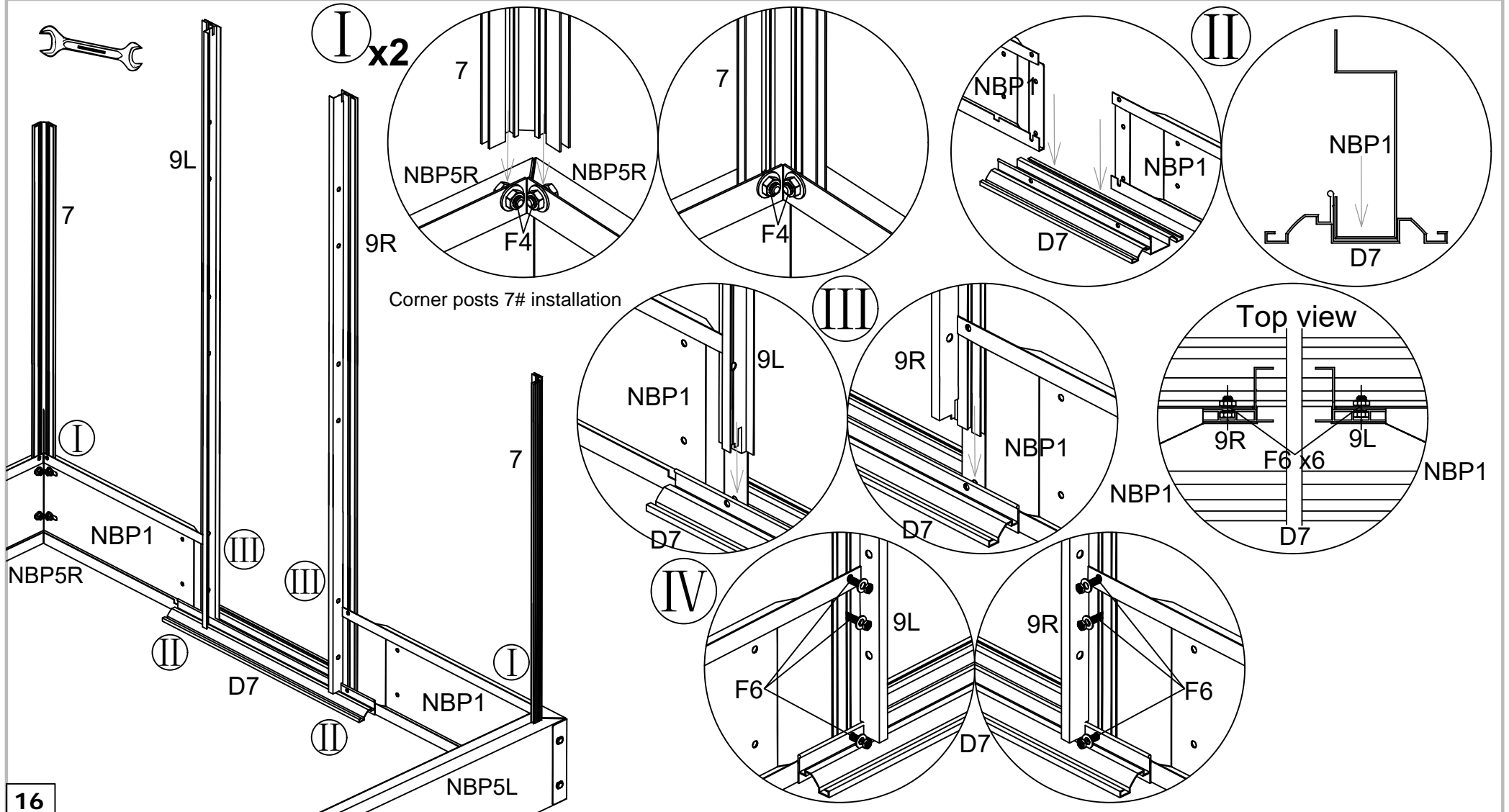
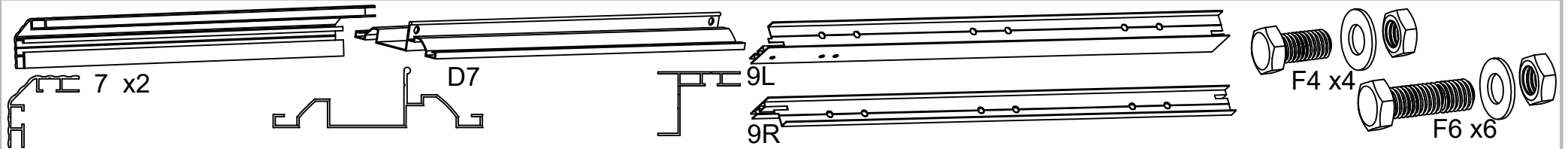
Don't forget to install the Panel seat S2 before inserting the PC panels.

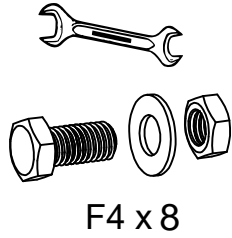
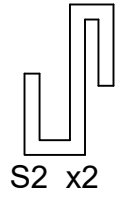
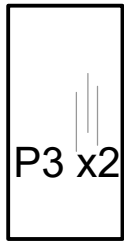
Reinforcing Profile No.15 Installation

II



Front Wall Installation

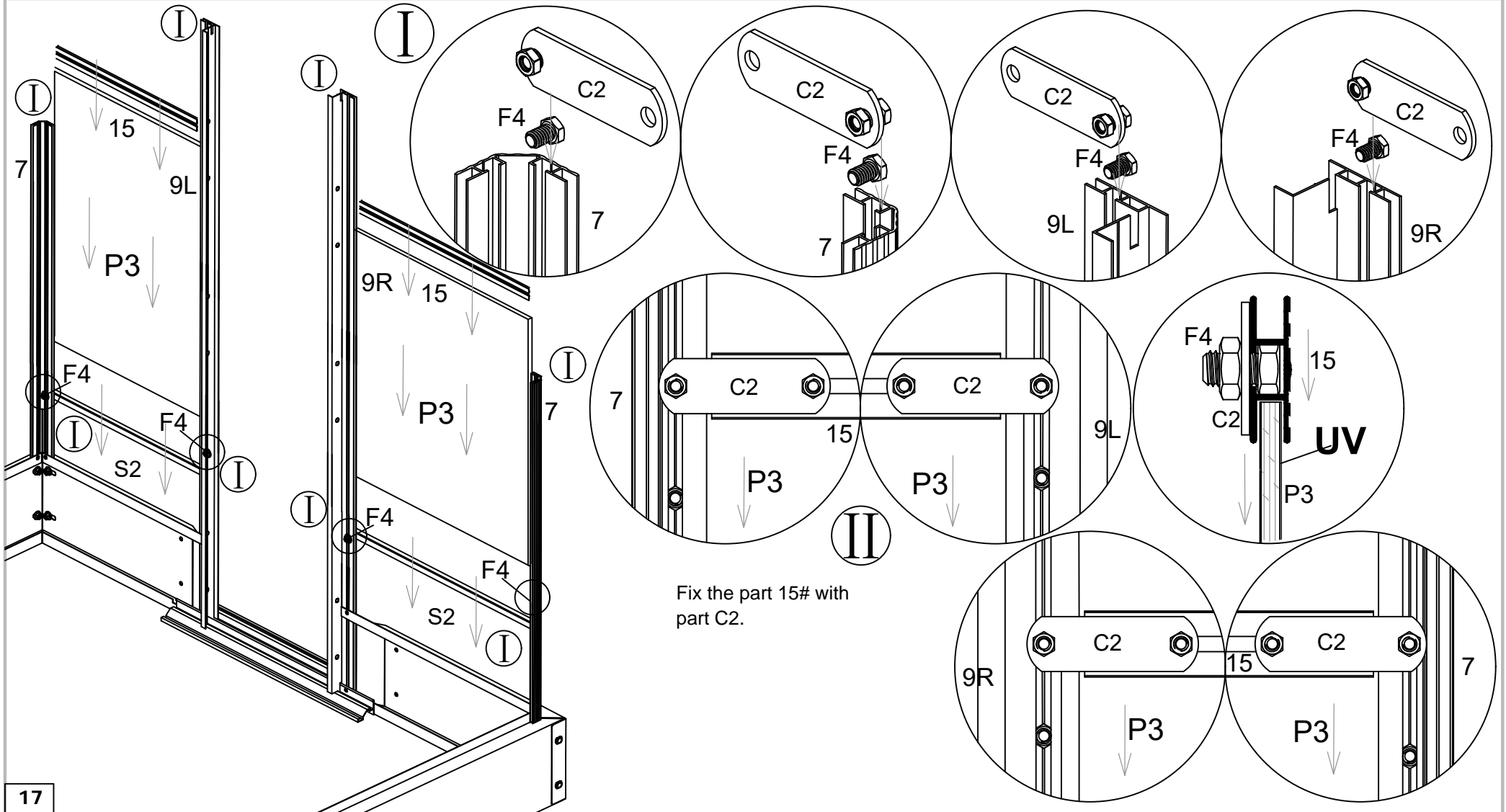


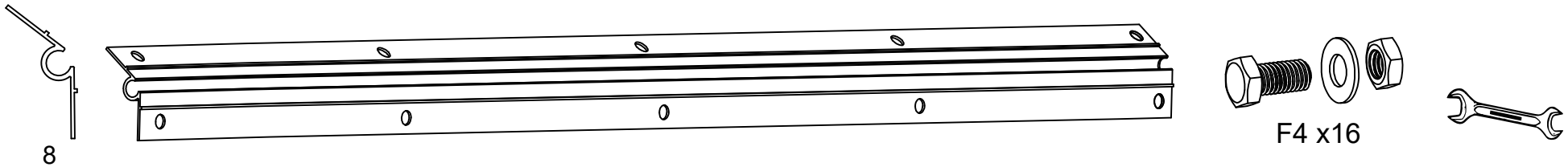


Front Wall panels Installation

Step I:

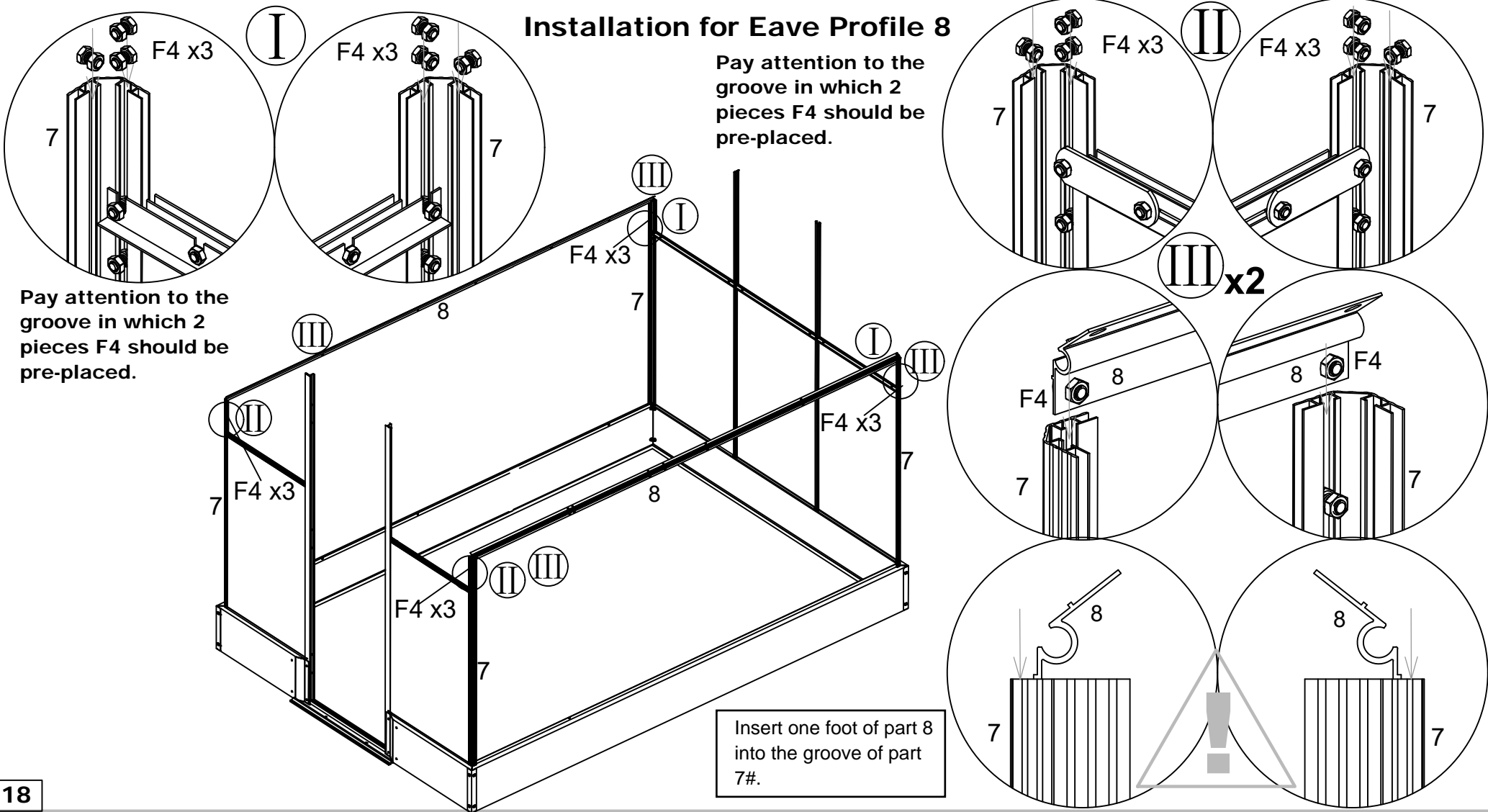
Pre-place 1 piece F4 screw and part C2 into the groove of part 7# according to the figure.





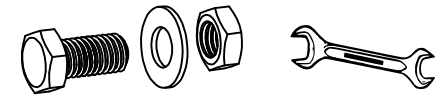
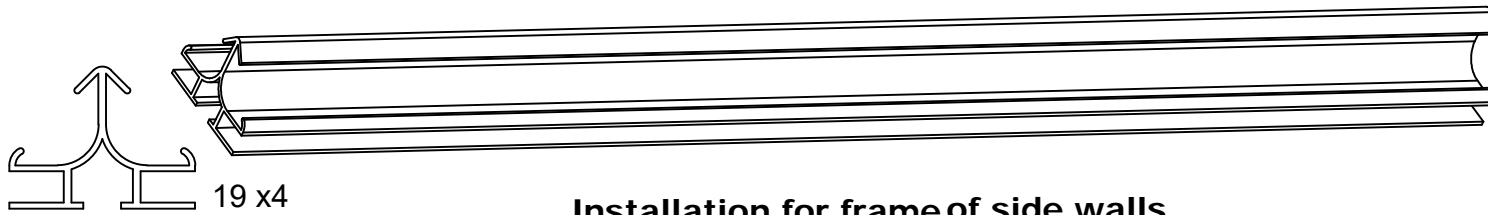
Installation for Eave Profile 8

Pay attention to the groove in which 2 pieces F4 should be pre-placed.



Pay attention to the groove in which 2 pieces F4 should be pre-placed.

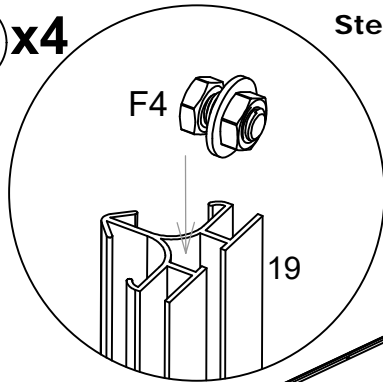
Insert one foot of part 8 into the groove of part 7#.



I x4

Step I:

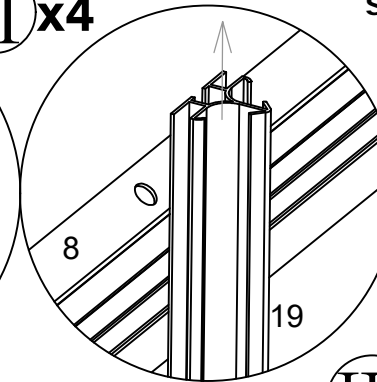
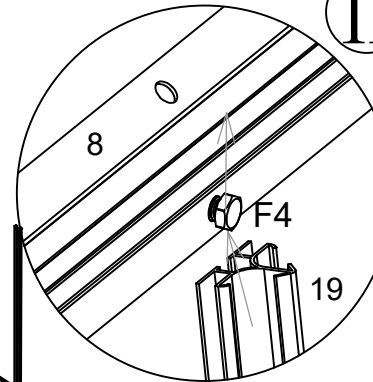
Pre-place 1 piece F4 screw into the middle groove of part 19#.



II x4

Step II:

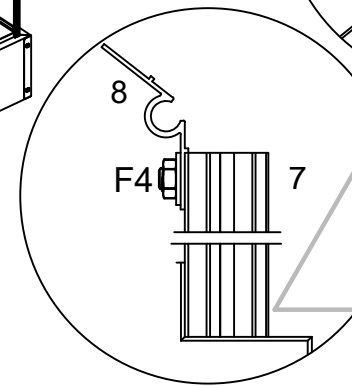
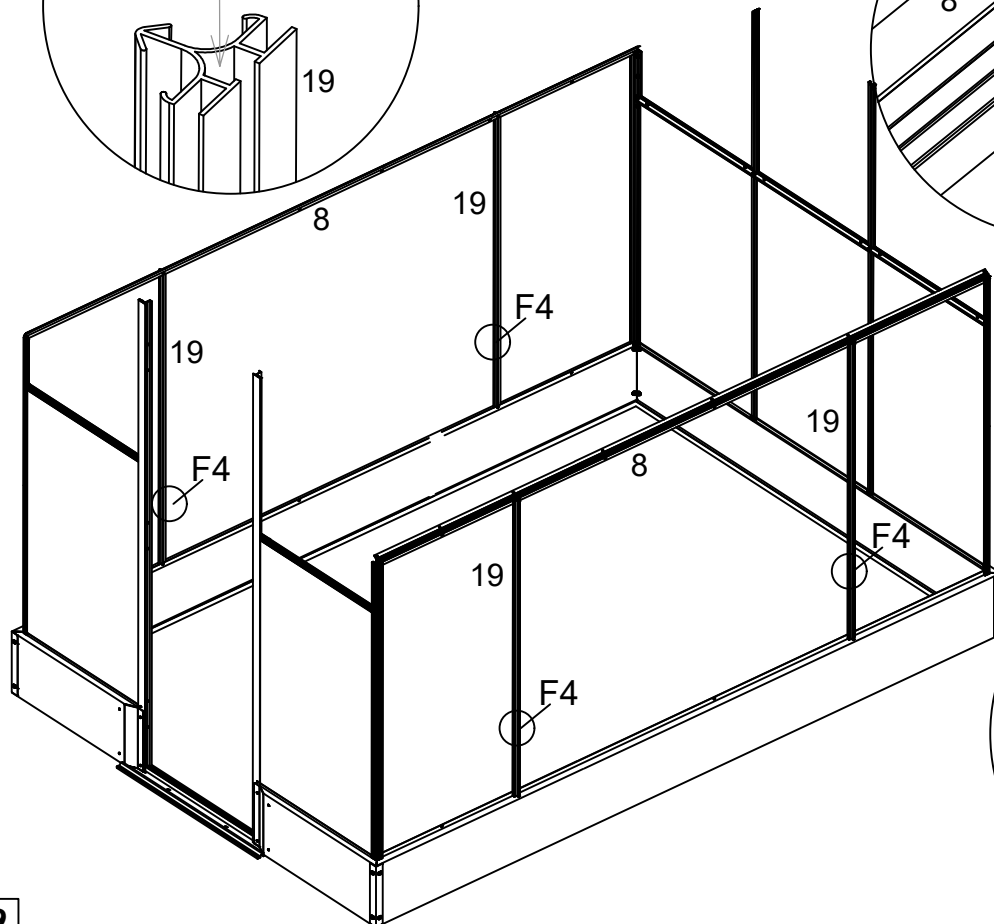
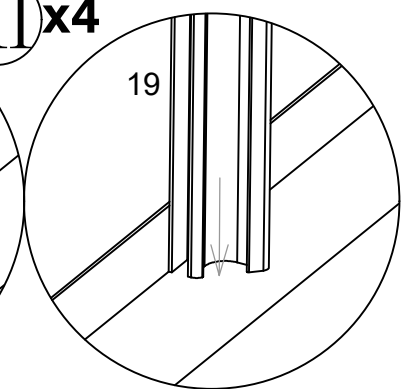
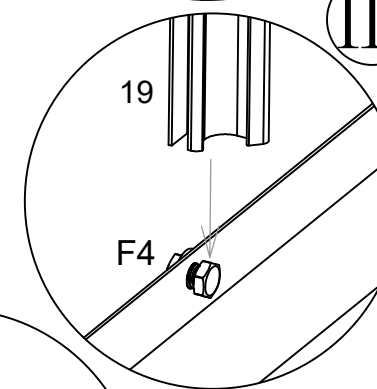
Fix part 8# onto part 19# with the F4 screw pre-placed in 19# at the first step.



Step III:

Fix part 19# onto part NBP5L/R the F4 screw pre-placed in 19# at the first step.

III x4



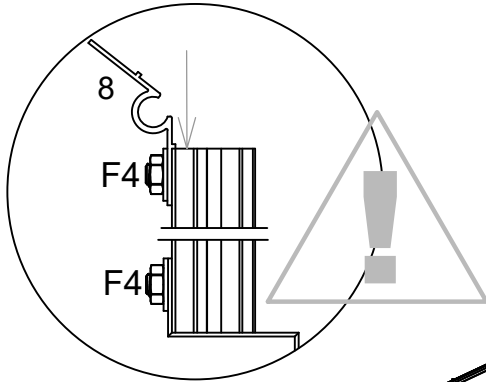
Fix part 8# onto part 7# with 1 piece screw F4.

There are 2 prominent points on the surface of part 8#.

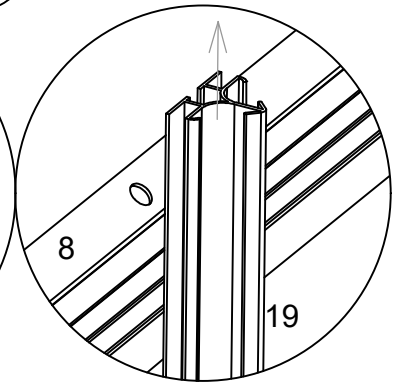
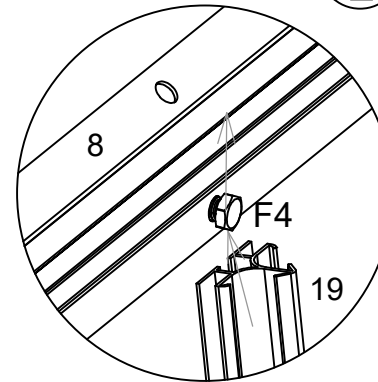
Insert part 8# into the groove of part 7# until the prominent point against part 7#.



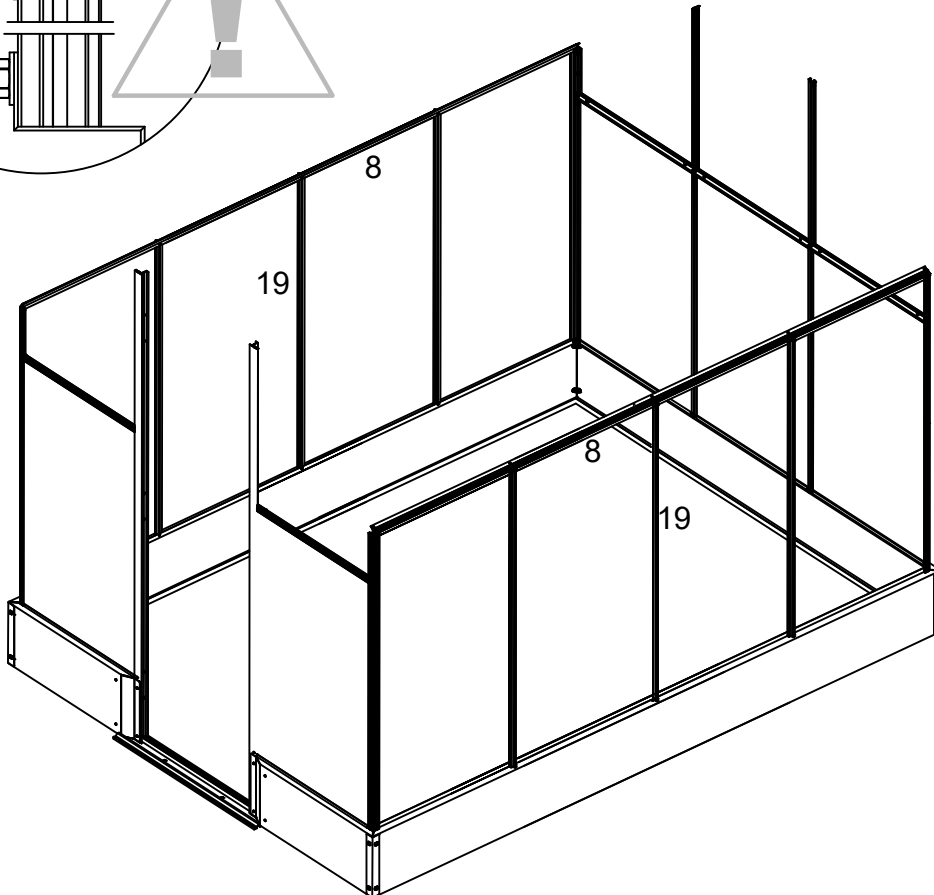
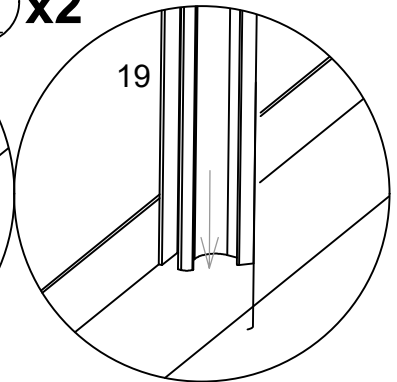
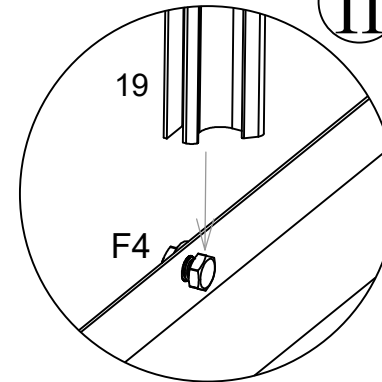
Install the other eave part 8 in same way

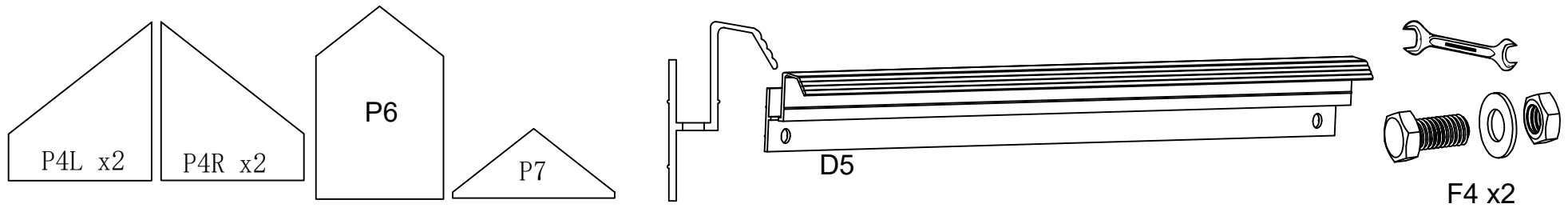


I x2



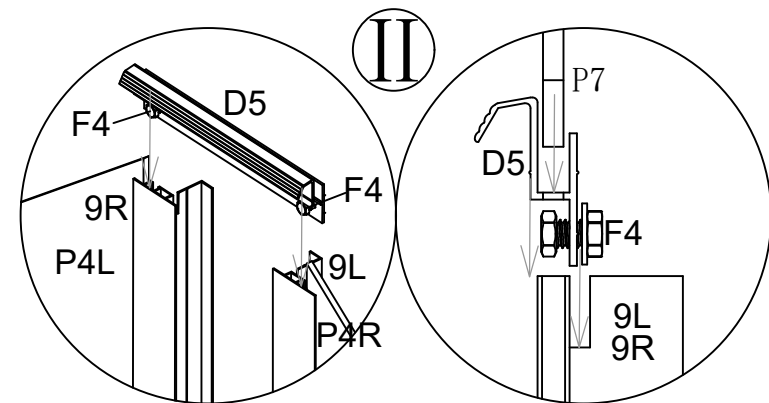
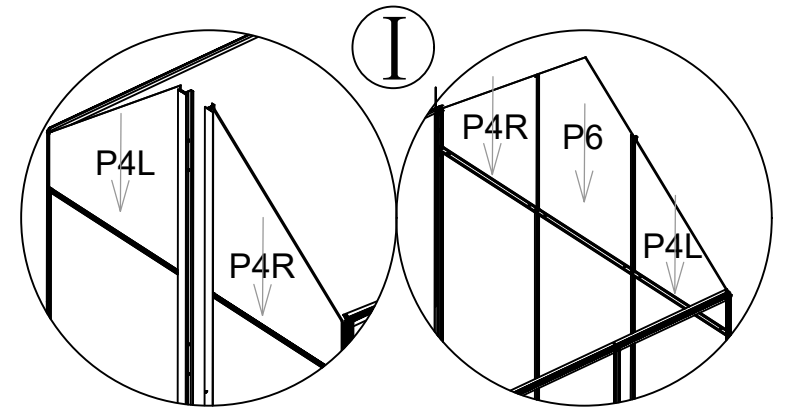
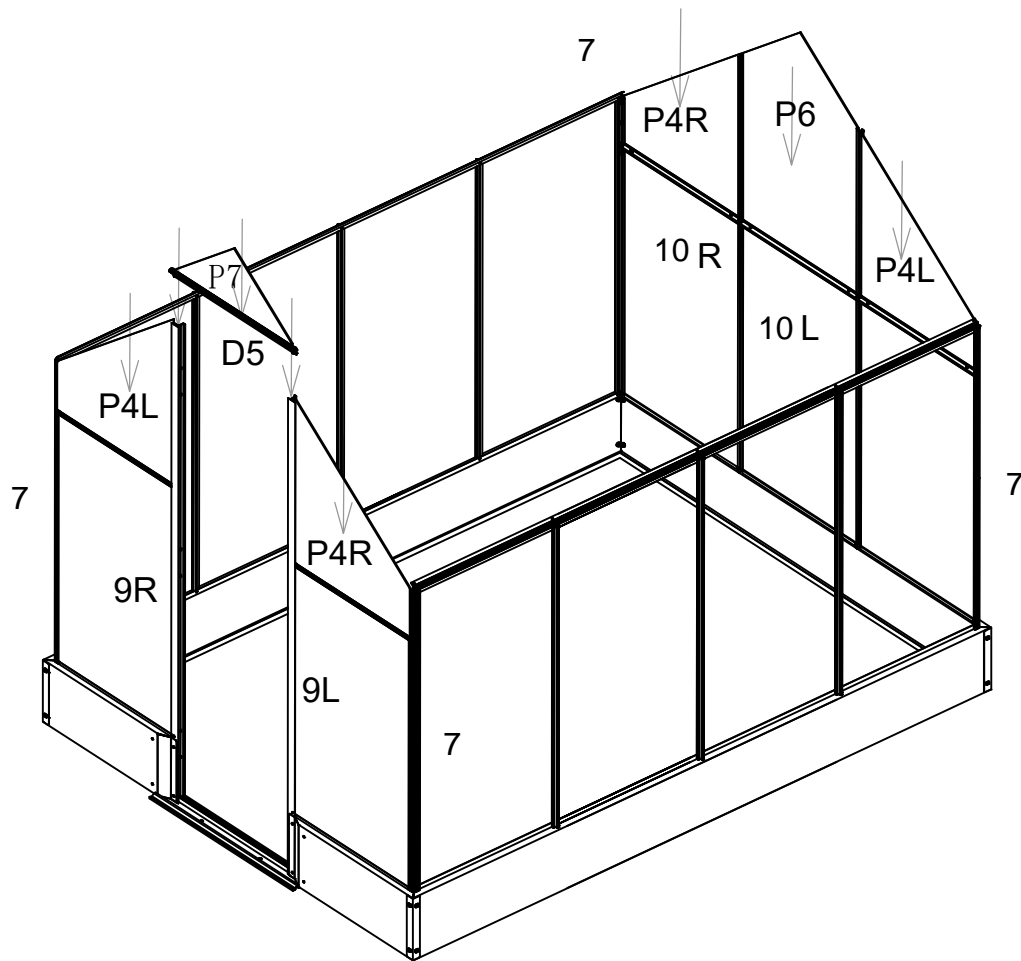
II x2





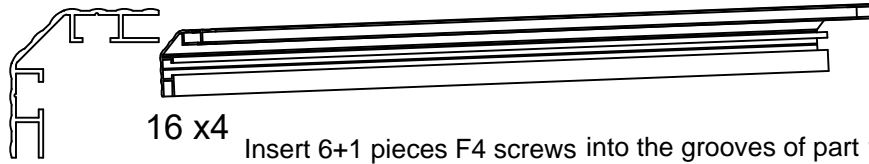
Upper Panels Installation

Insert the panels into the groove of profiles 7# & 9L/R, 10L/R.



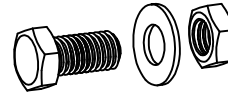
Insert 2 pieces at each end of part 5#.

Insert the F4 into the groove of part 9L/R.



16 x4

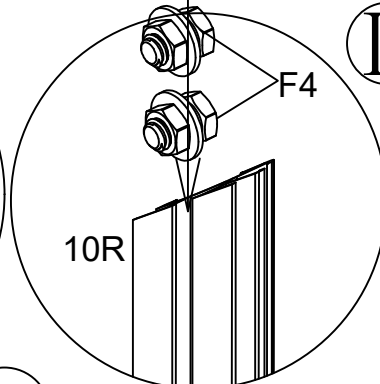
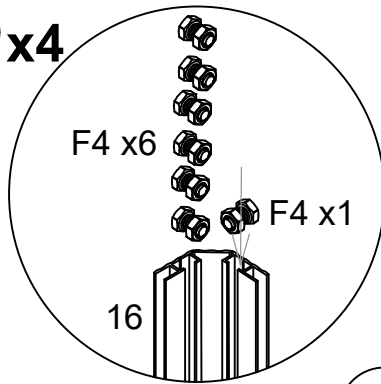
Insert 6+1 pieces F4 screws into the grooves of part 16#.
You can put one more screw in each groove.



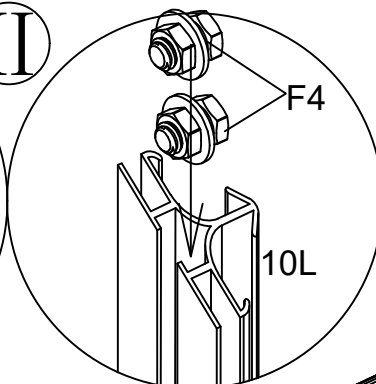
F4 x36

Upper Beams No.16 Installation

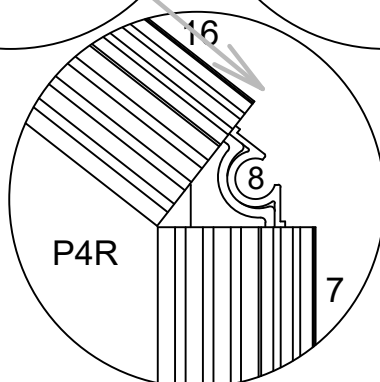
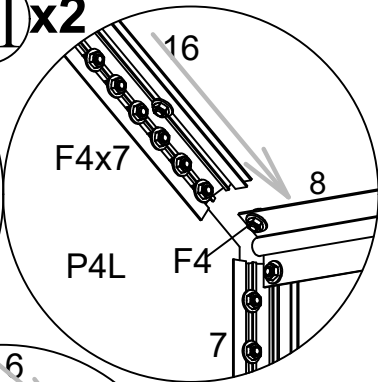
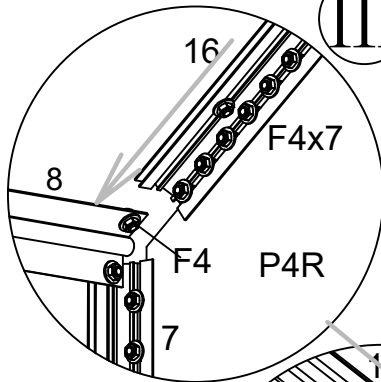
I x4



II

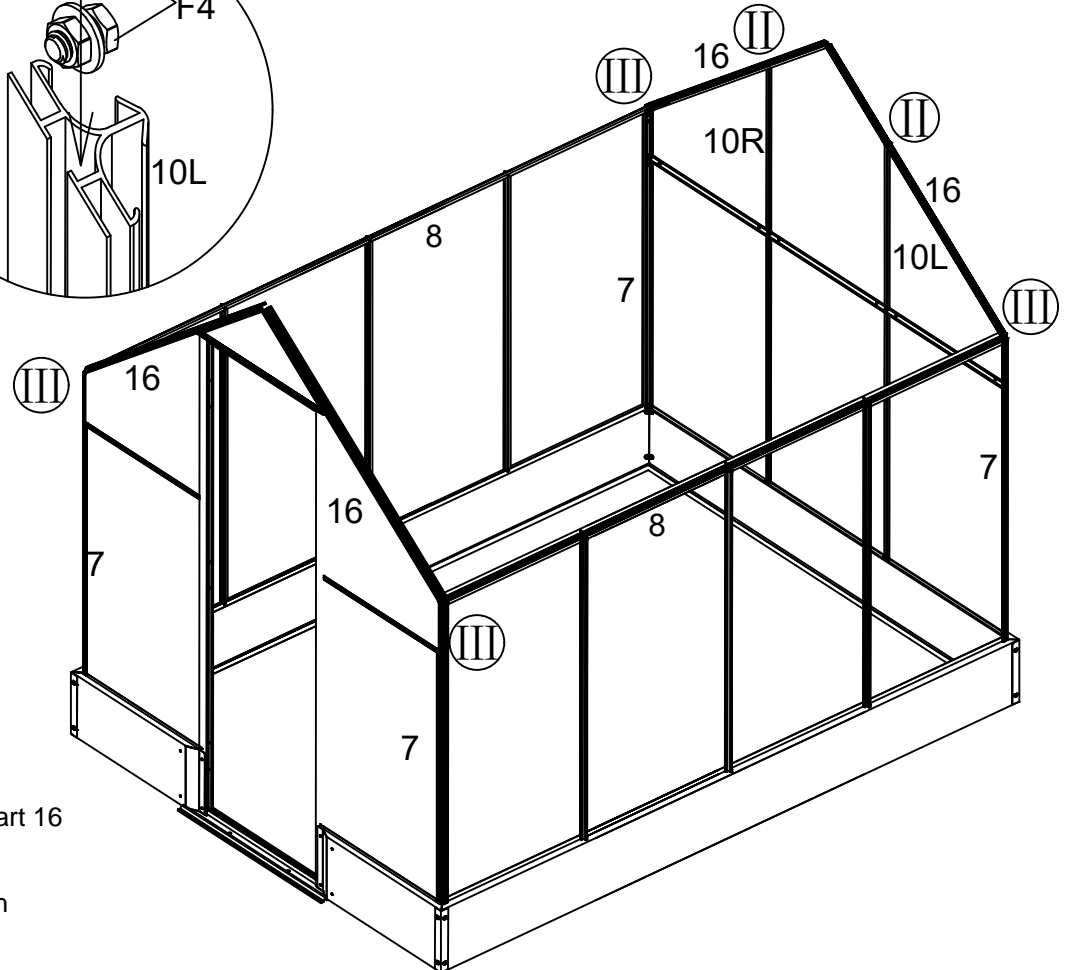


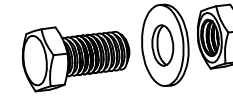
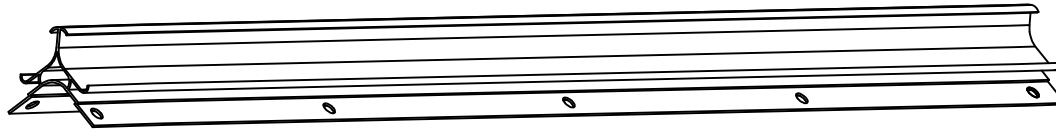
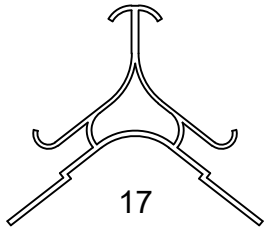
III x2



Insert the groove of part 16 into the profile 8#.

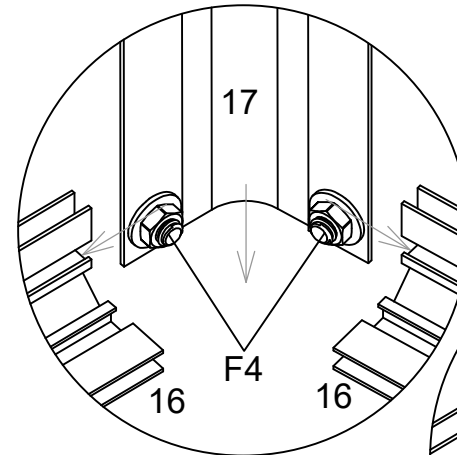
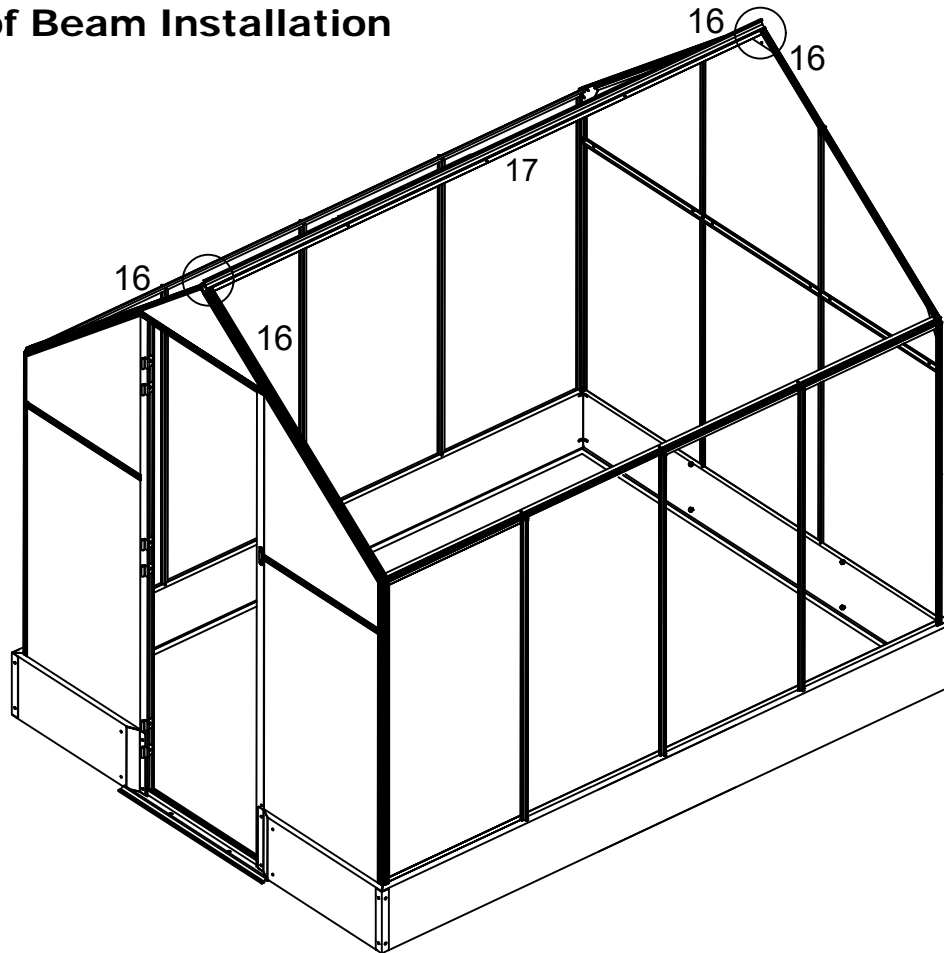
Then fix 8# & 16# with an extra F4 screw.



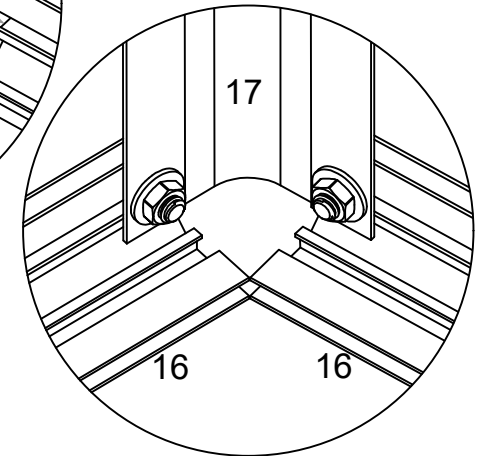


F4 x4

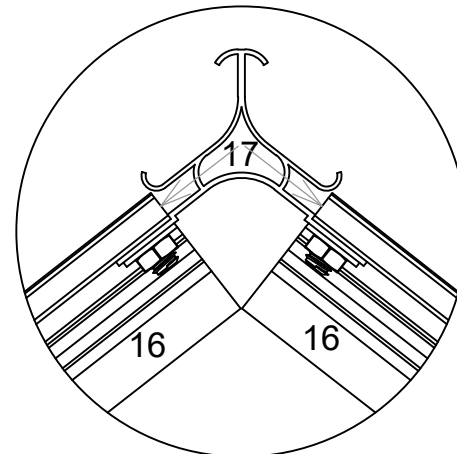
Roof Beam Installation



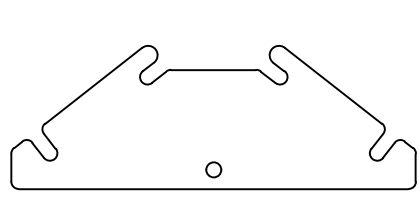
Pre-install 2 pieces F4 screws on each end and then insert the F4 screws into the grooves of part 16#.



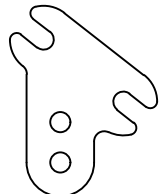
Insert the screws into the grooves of part 16#.



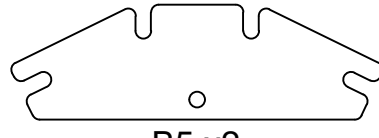
Lock the two screws



B6



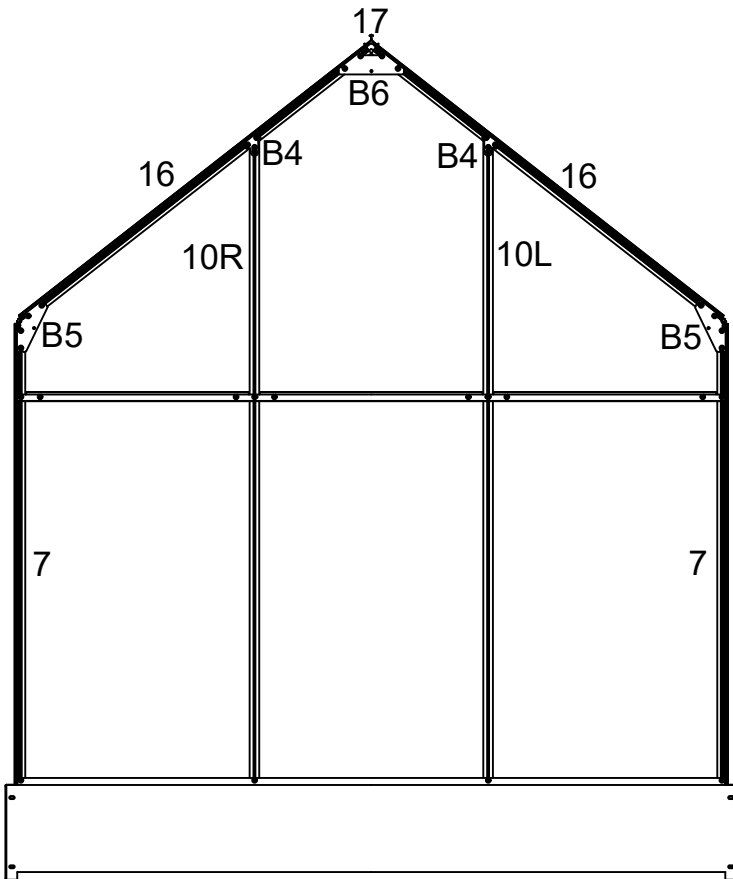
B4 x2



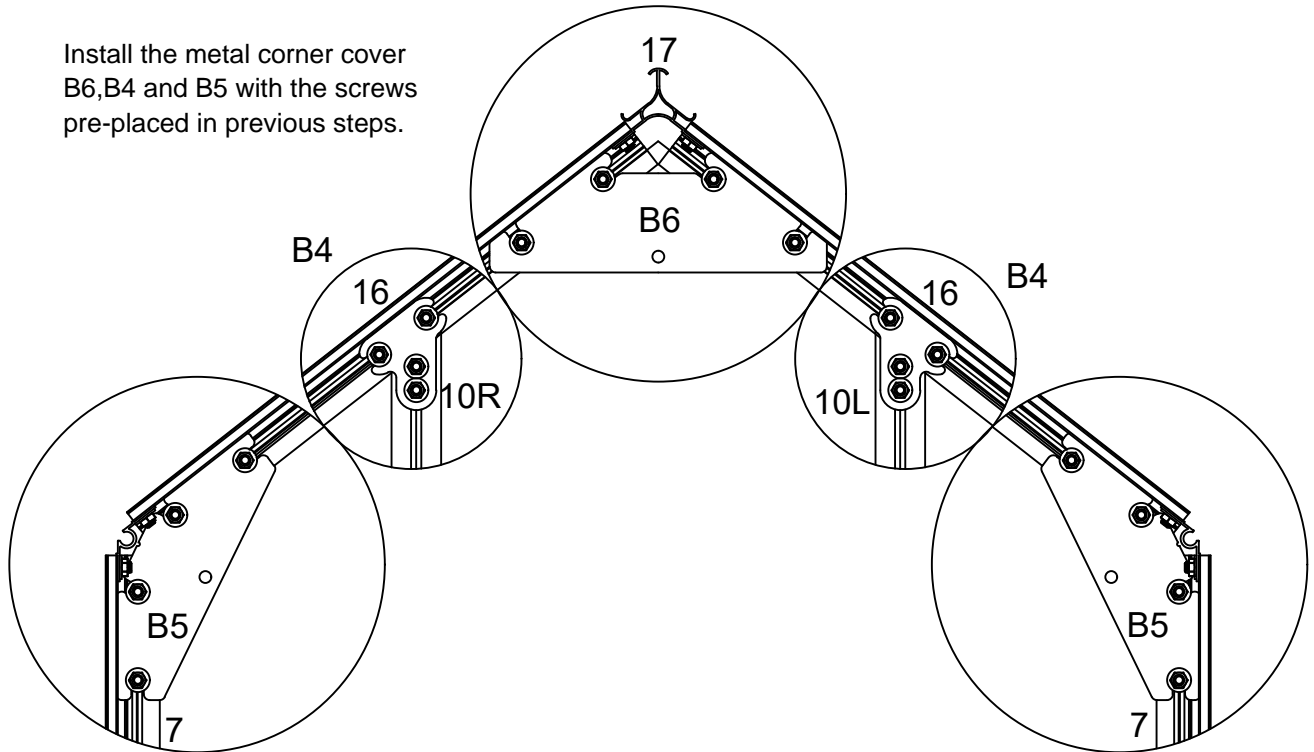
B5 x2

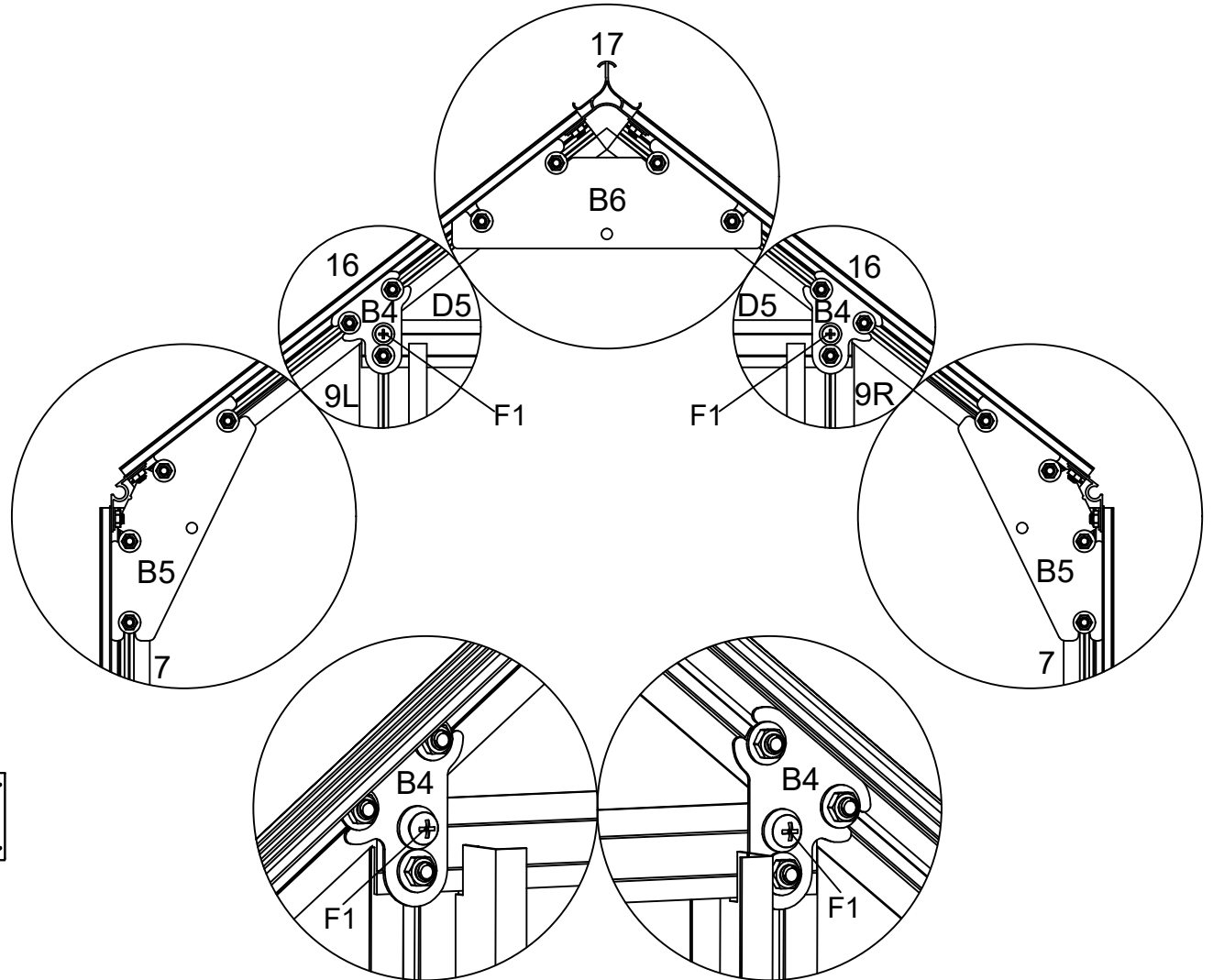
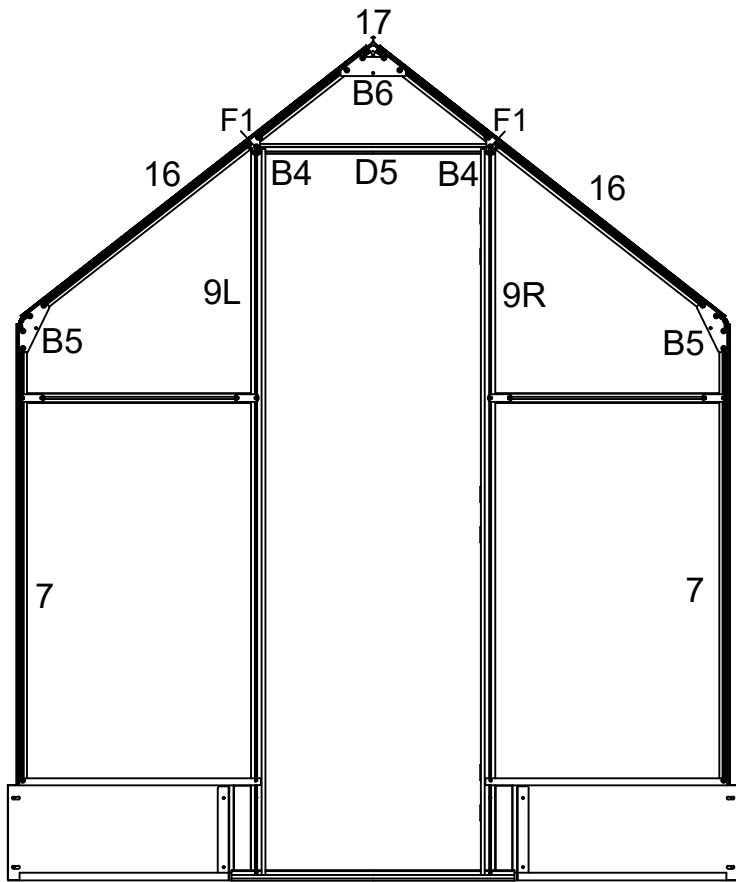
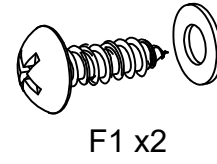
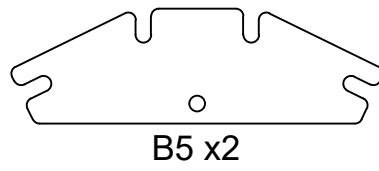
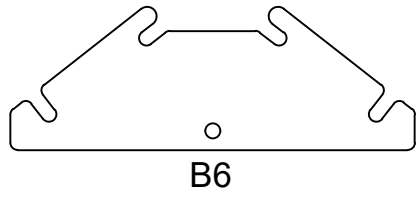


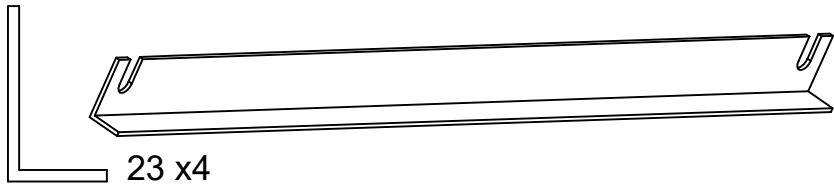
Roof Tri-angle Reinforcing plates Installation



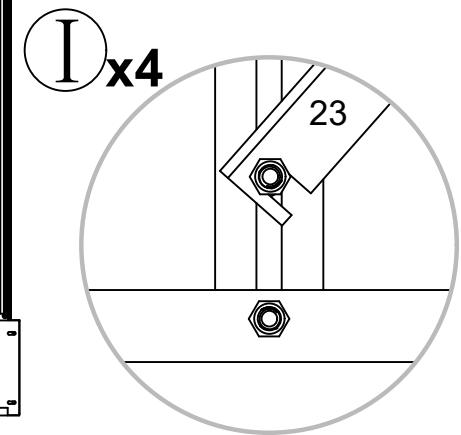
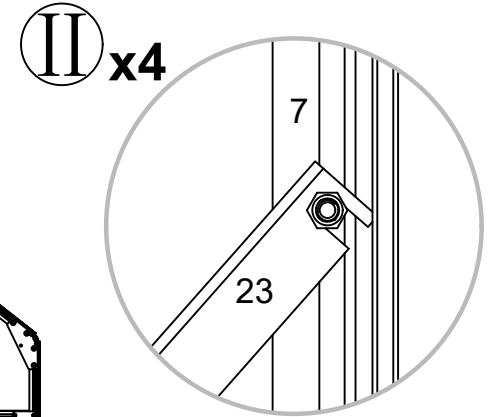
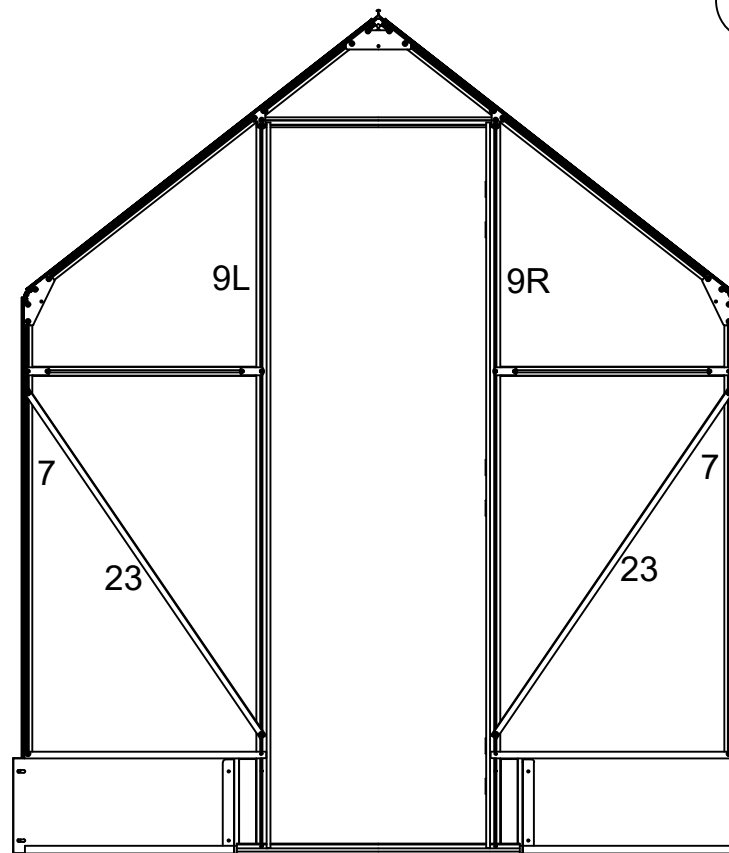
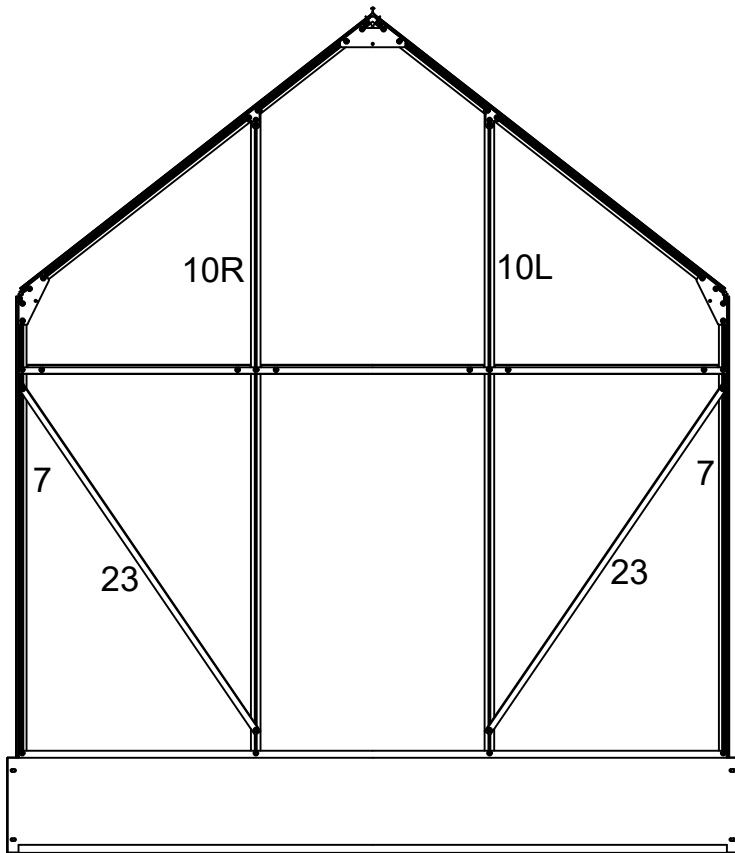
Install the metal corner cover B6, B4 and B5 with the screws pre-placed in previous steps.







Reinforcing Ribs for front & back walls Installation

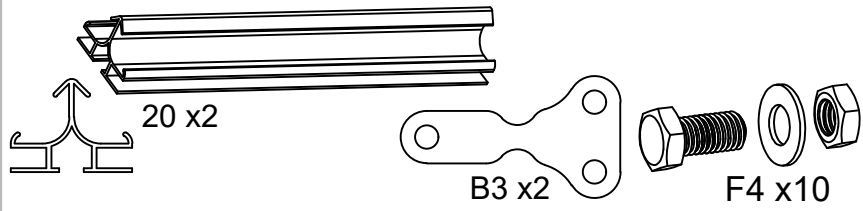


I x4

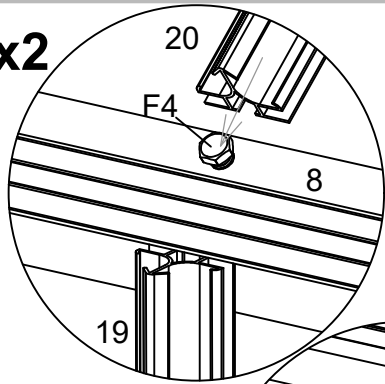
II x4

Install the wall reinforcing ribs 23# with pre-placed screws in part 7#, 9R/L, and 10R/L.

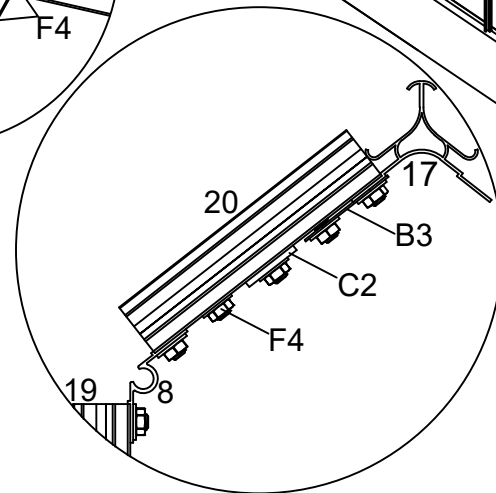
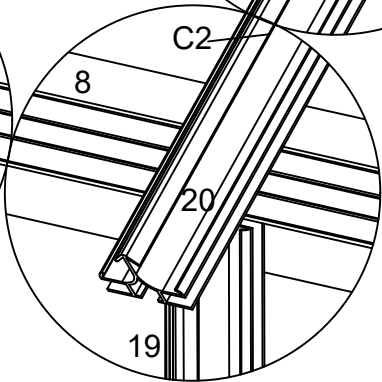
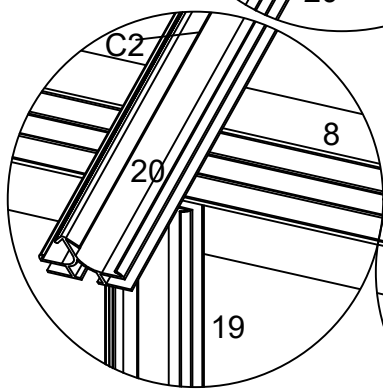
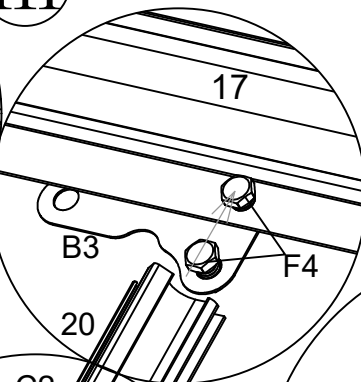
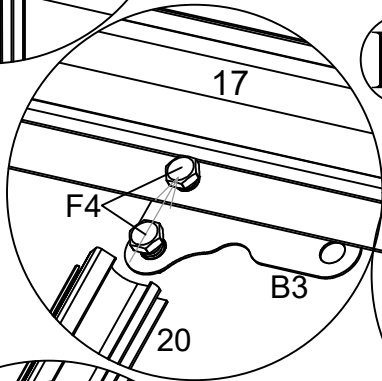
Roof Frame Installation



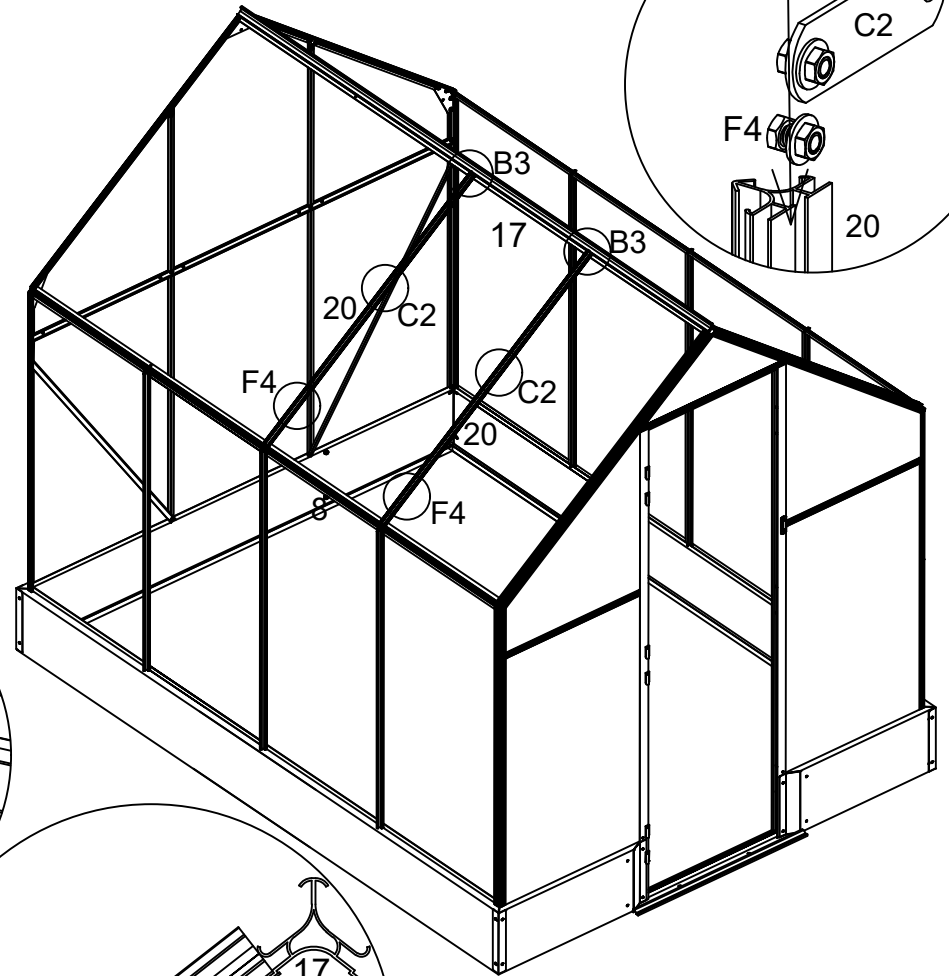
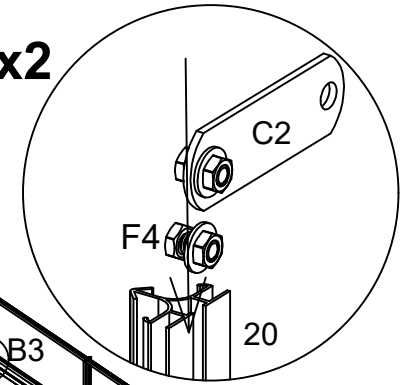
II x2



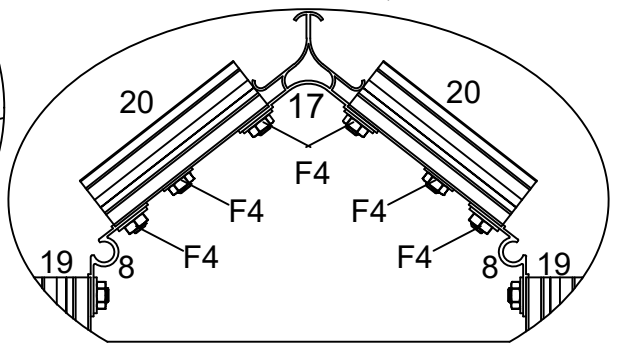
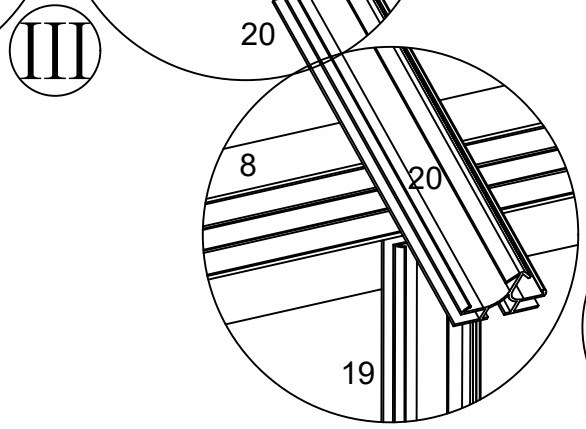
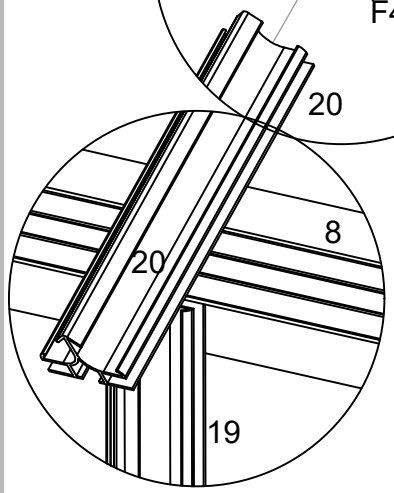
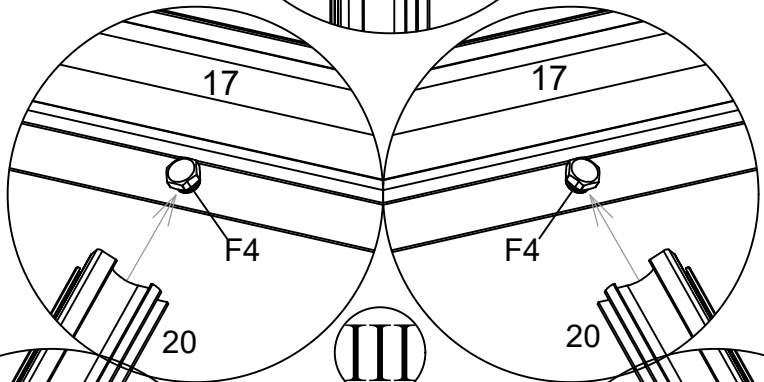
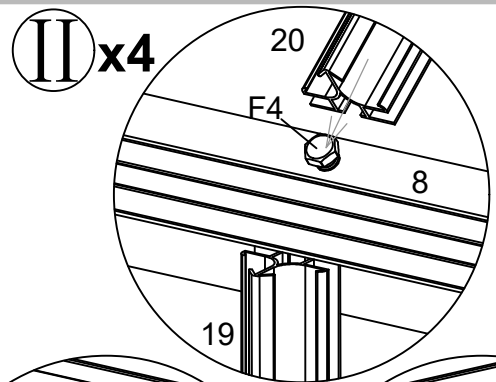
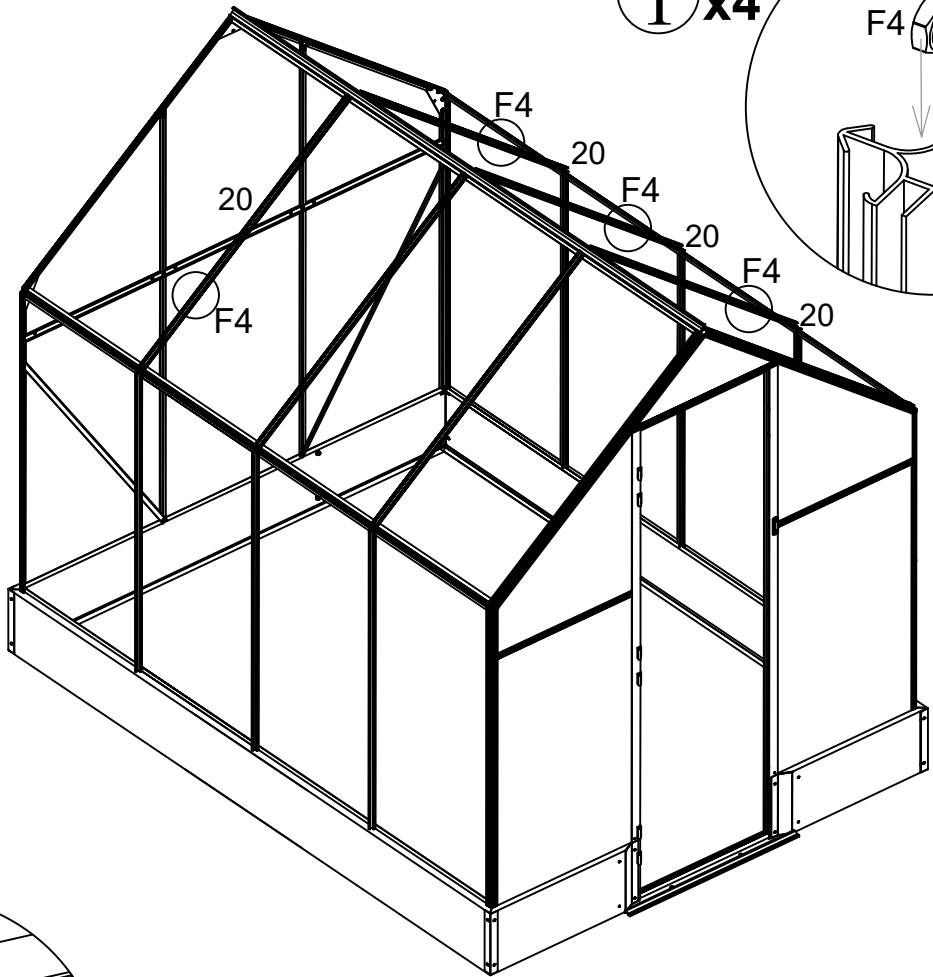
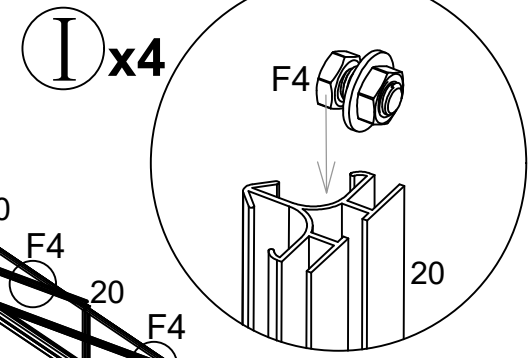
III



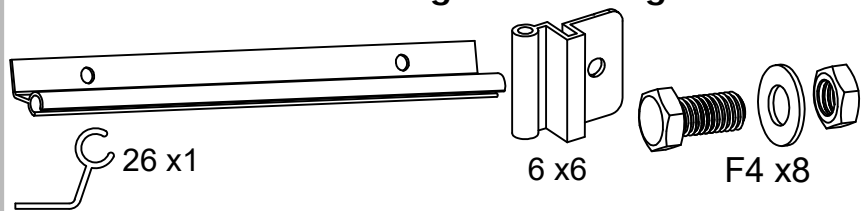
I x2



Roof Frames Screwing

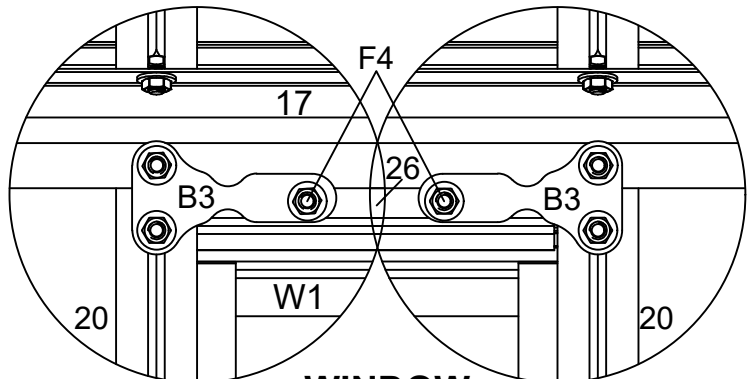
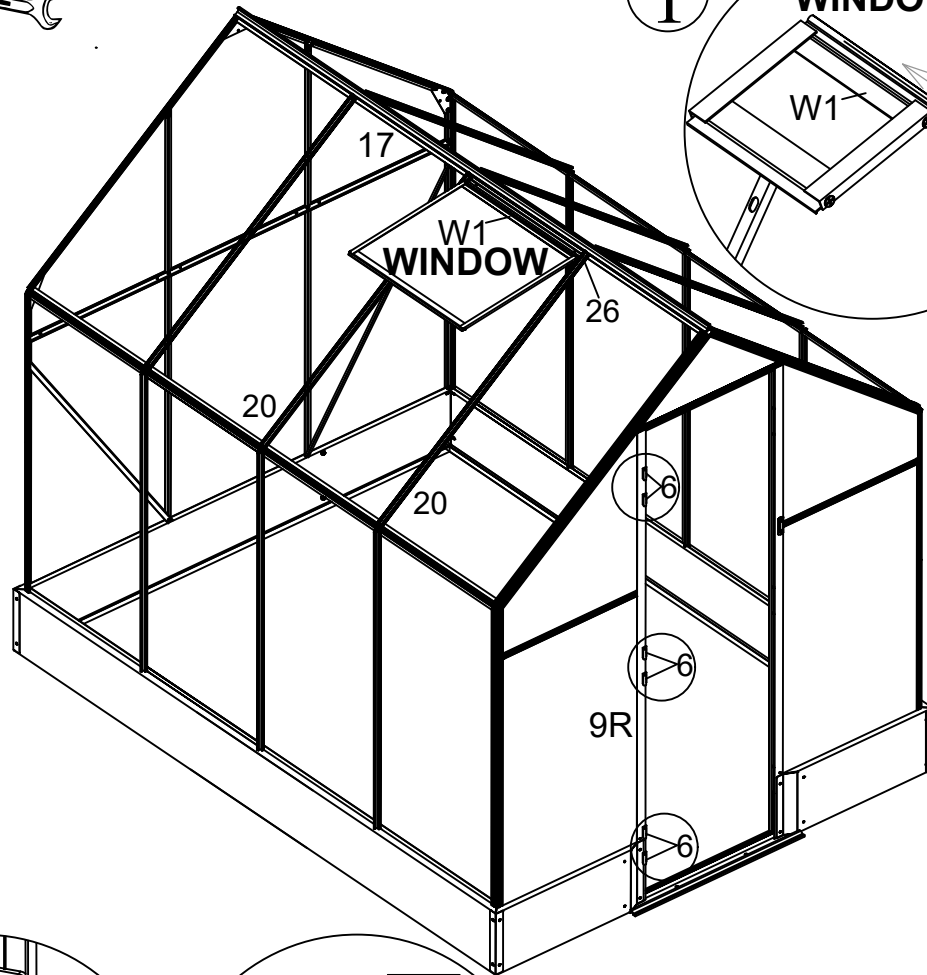
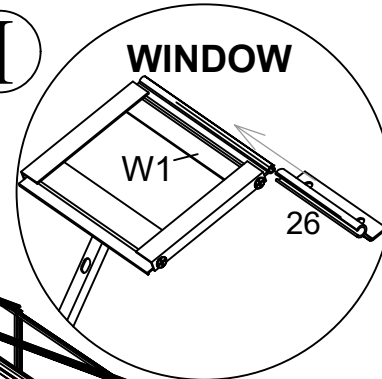


Roof Window and Hinges Screwing



Assemble the window support bar 26# and window frame W1.

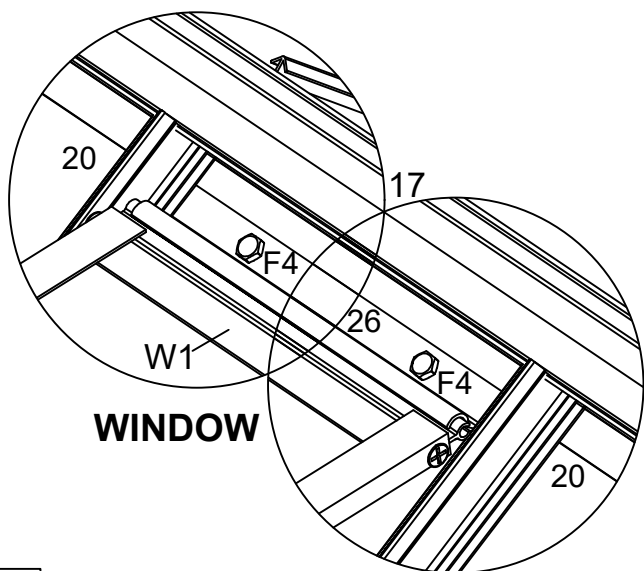
I



WINDOW

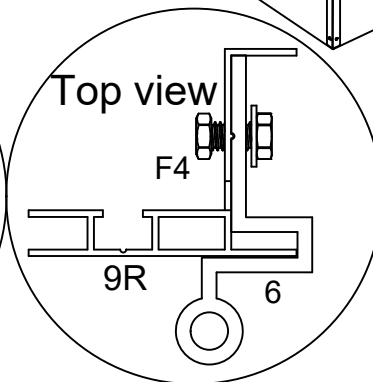
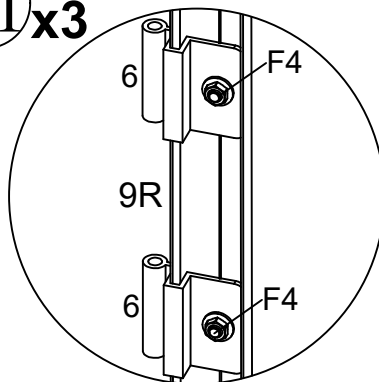
Fix the part 26# onto 20# with screw and part B3.

II



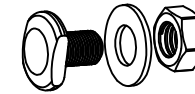
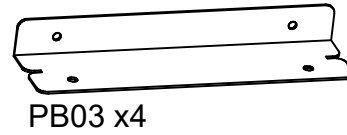
WINDOW

III x3



Install the hinge 6# with the pre-placed screws in 9R/9L.

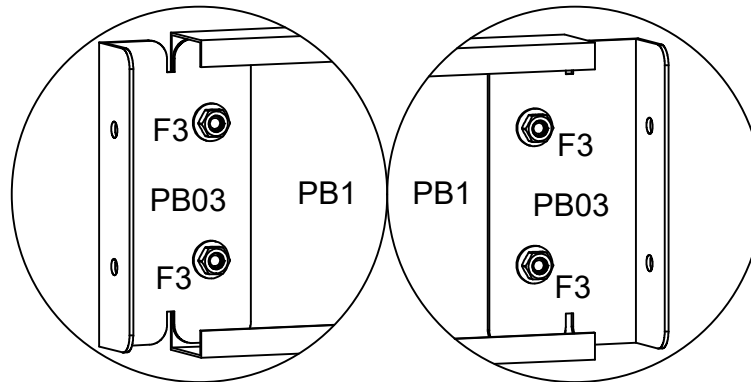
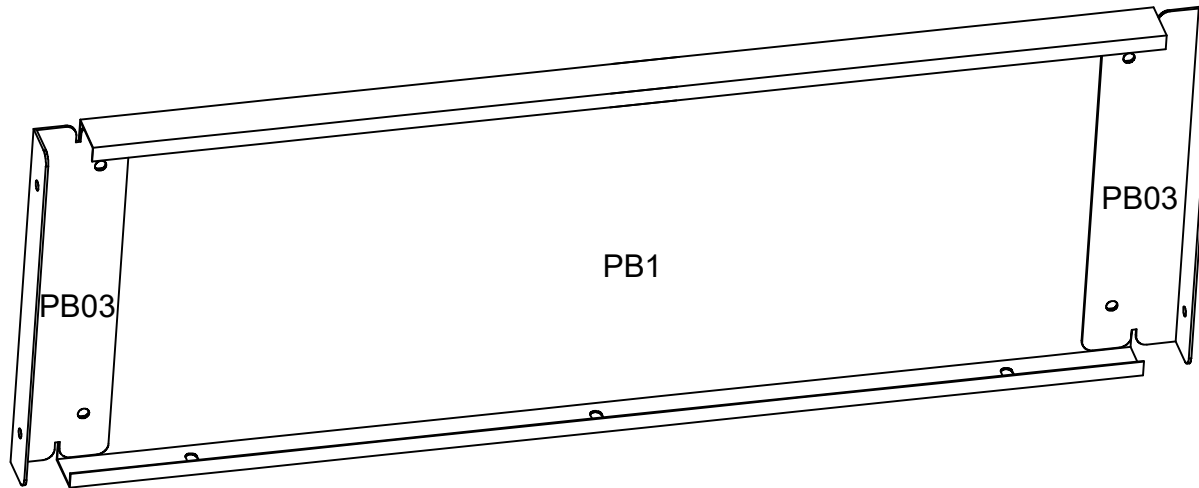
1 piece F4 screw for 1 piece part 6#.



F3 x8

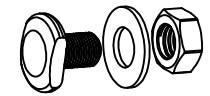
x2

Plant Bed Panels Installation

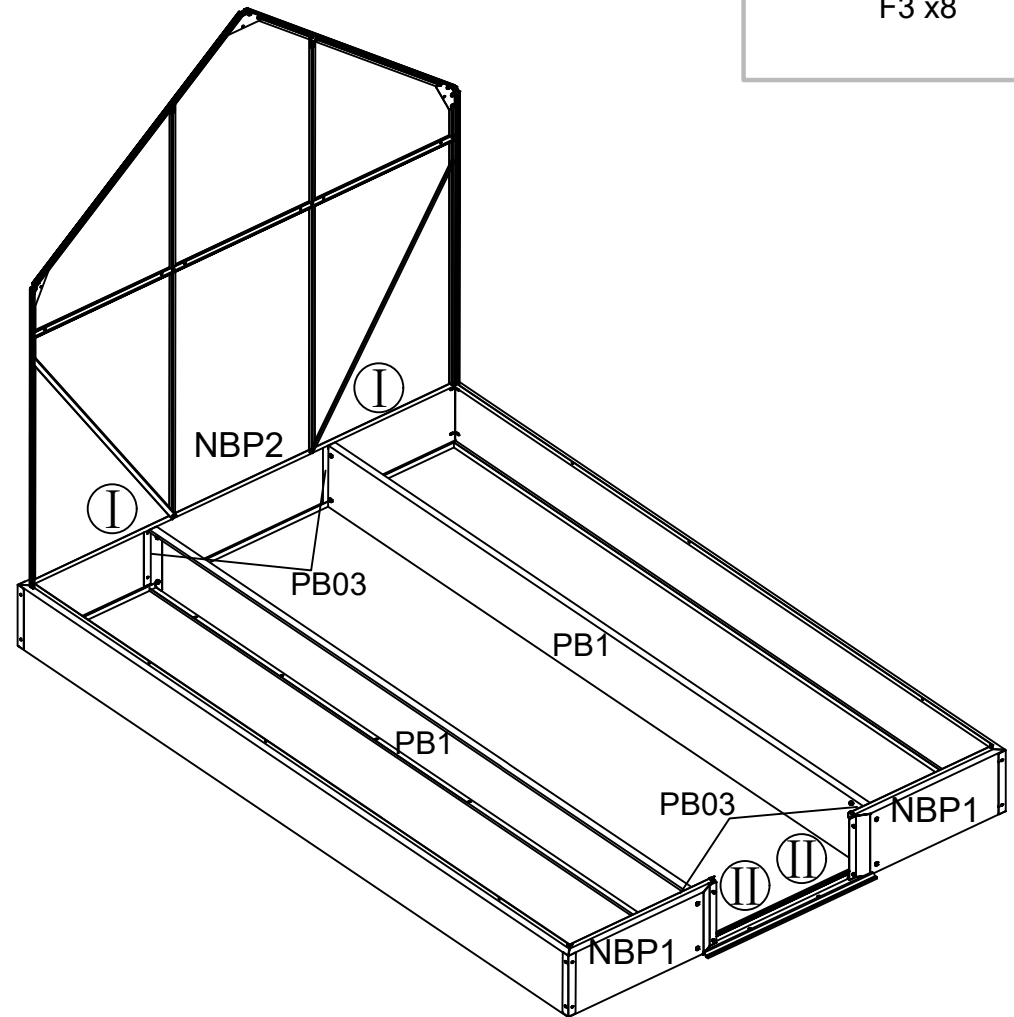
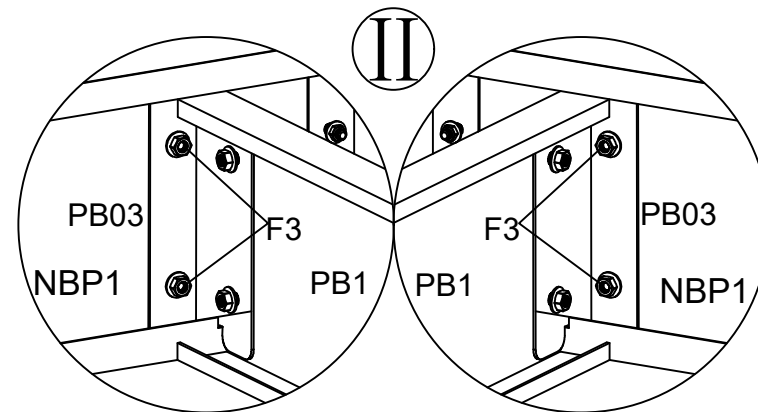
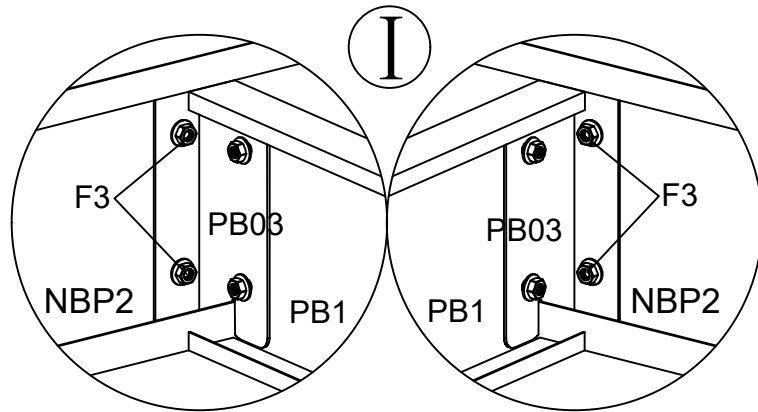


Assemble parts PB03 and PB1 together with screws F3.

Plant Bed Screwing

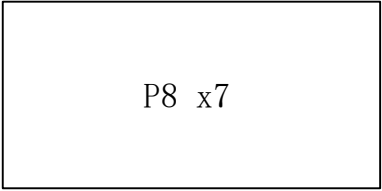


F3 x 8

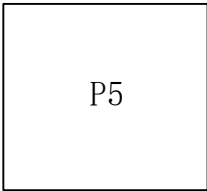




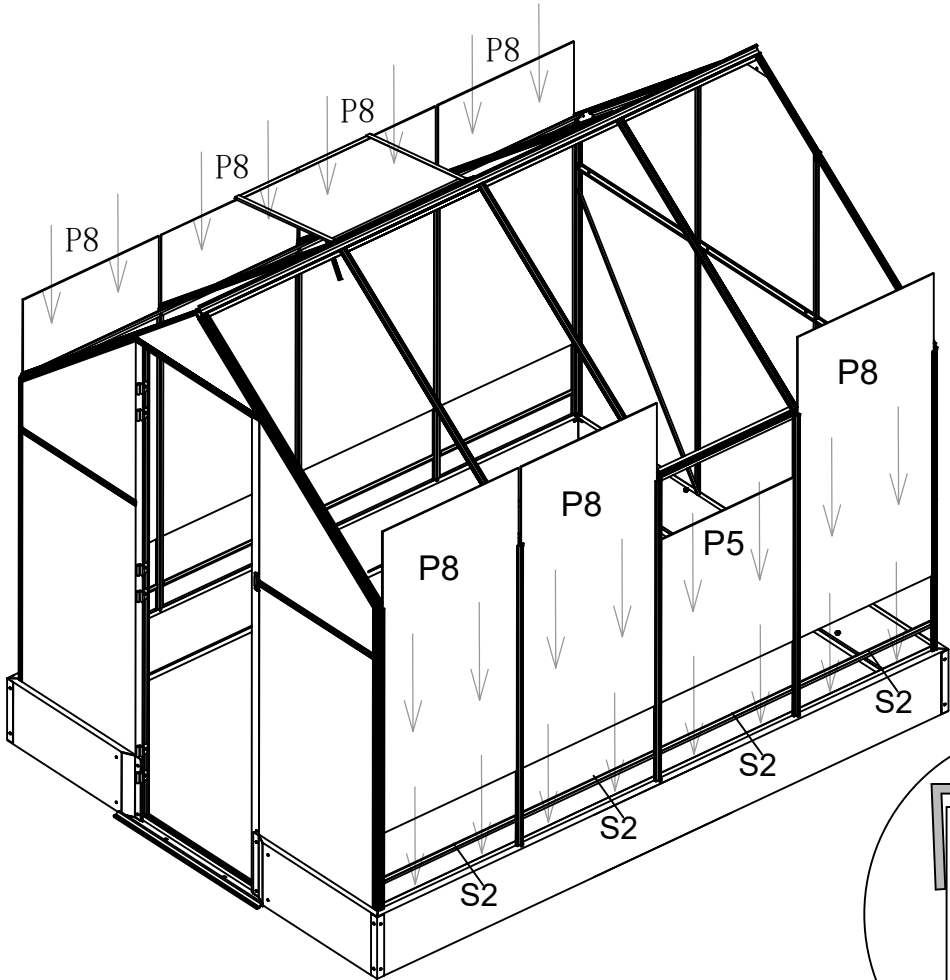
S2 x8



P8 x7

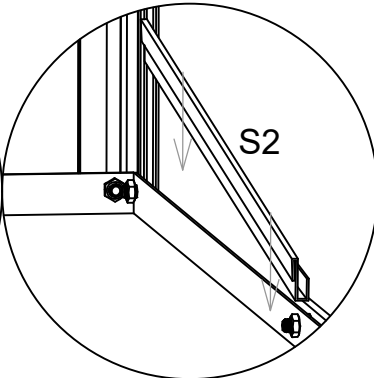
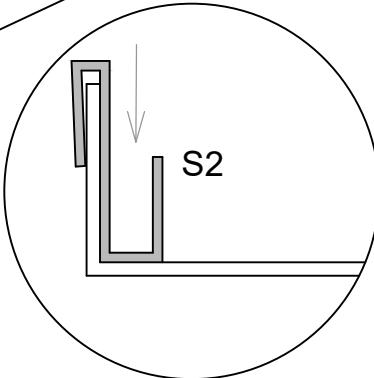


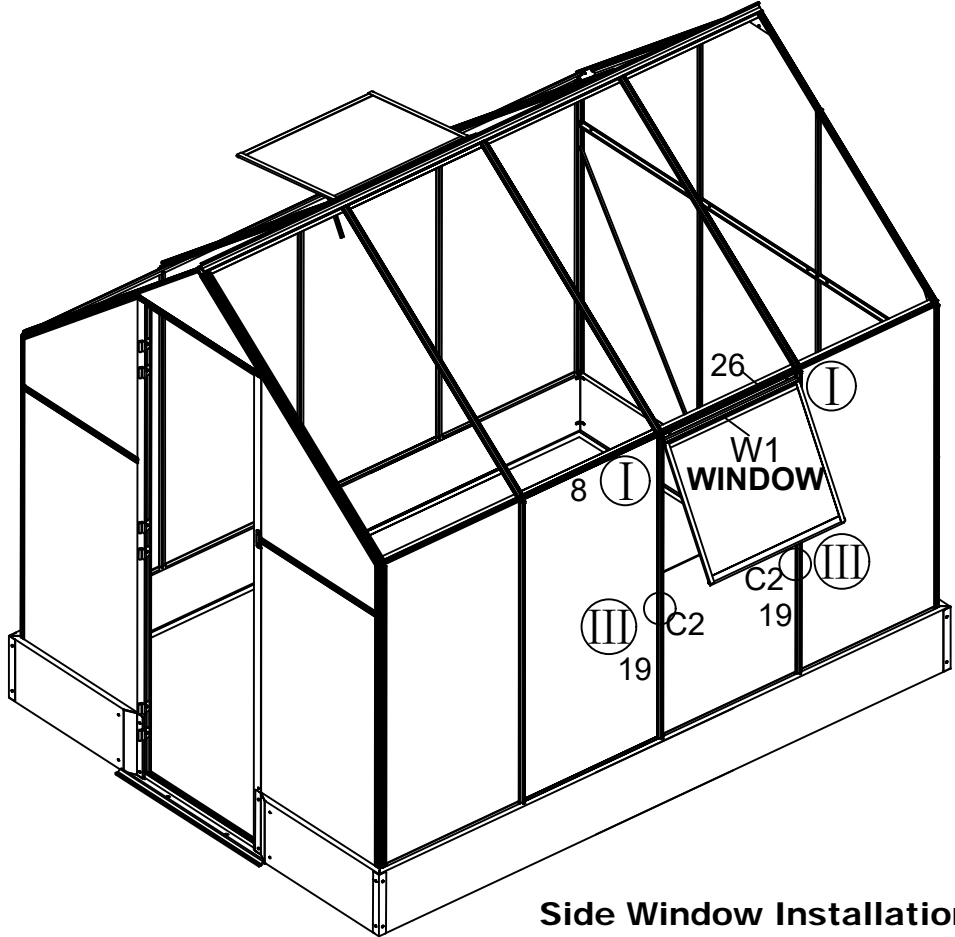
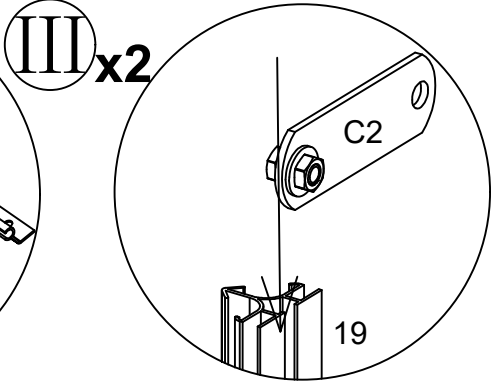
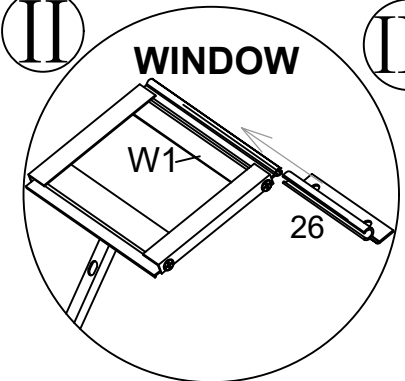
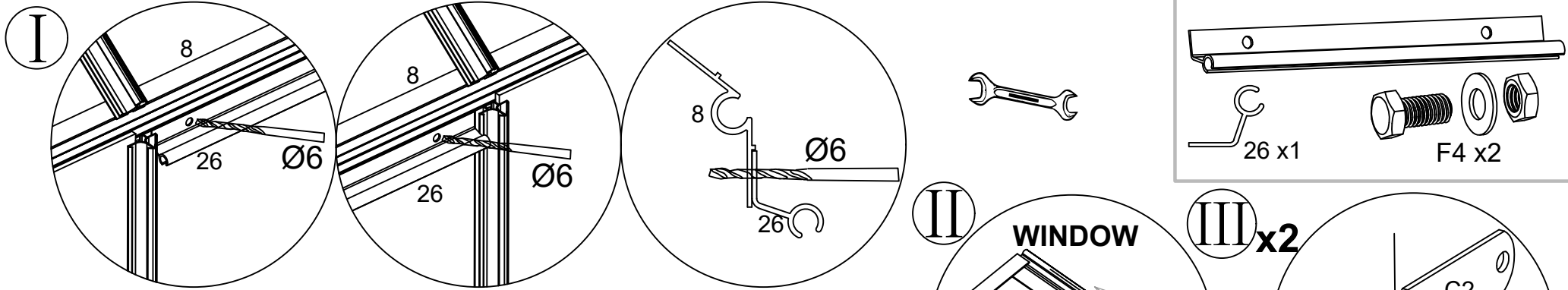
P5



Installation for side wall PC panels

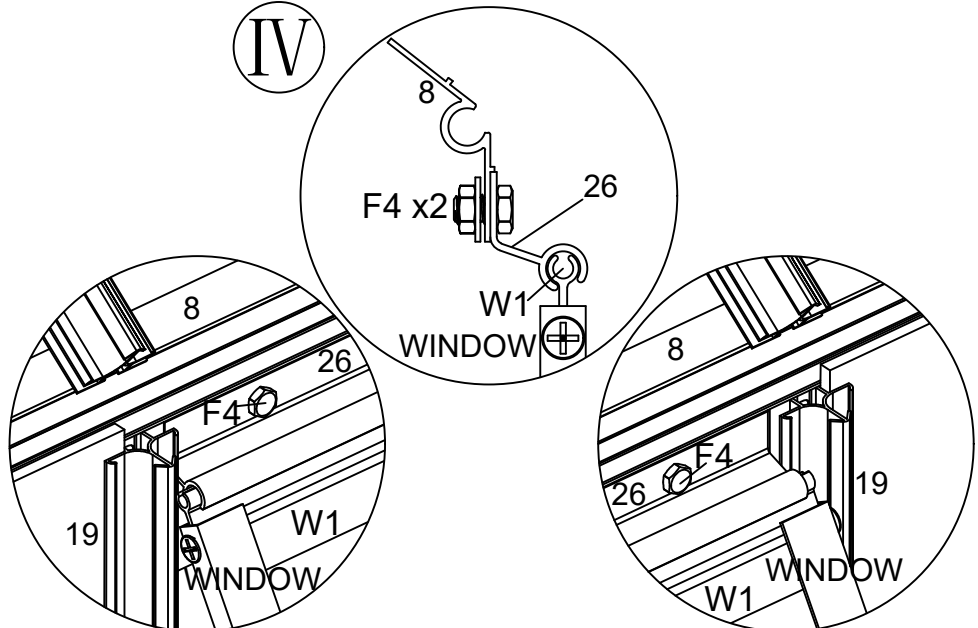
Don't forget to install the PC panel seats before inserting PC panels.





Steps:

1. First remove the screws on the upper part of NO.19.
2. The accessory NO. C2 should be installed inside of NO.19.



Side Window Installation

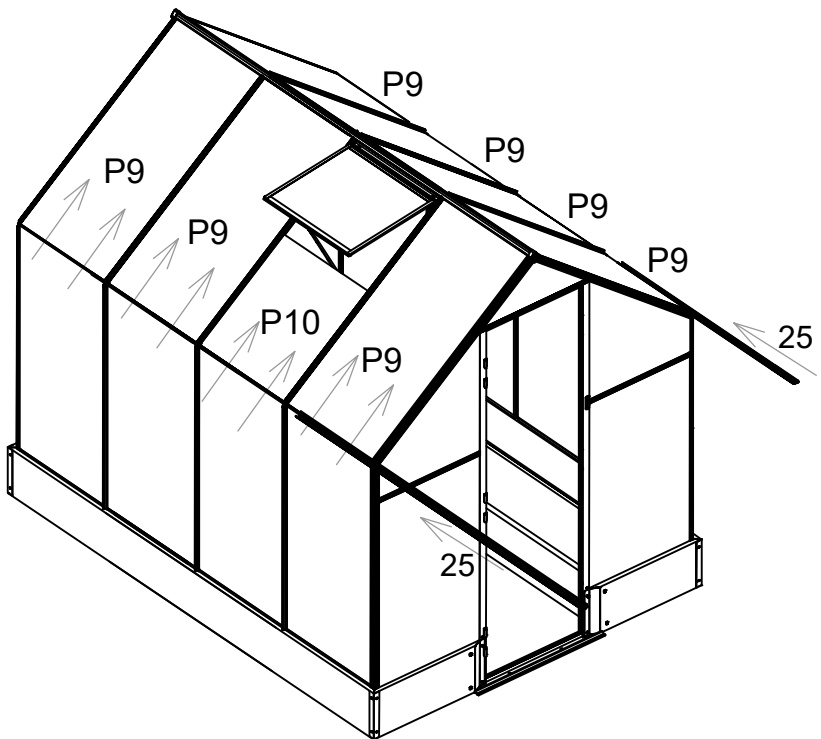
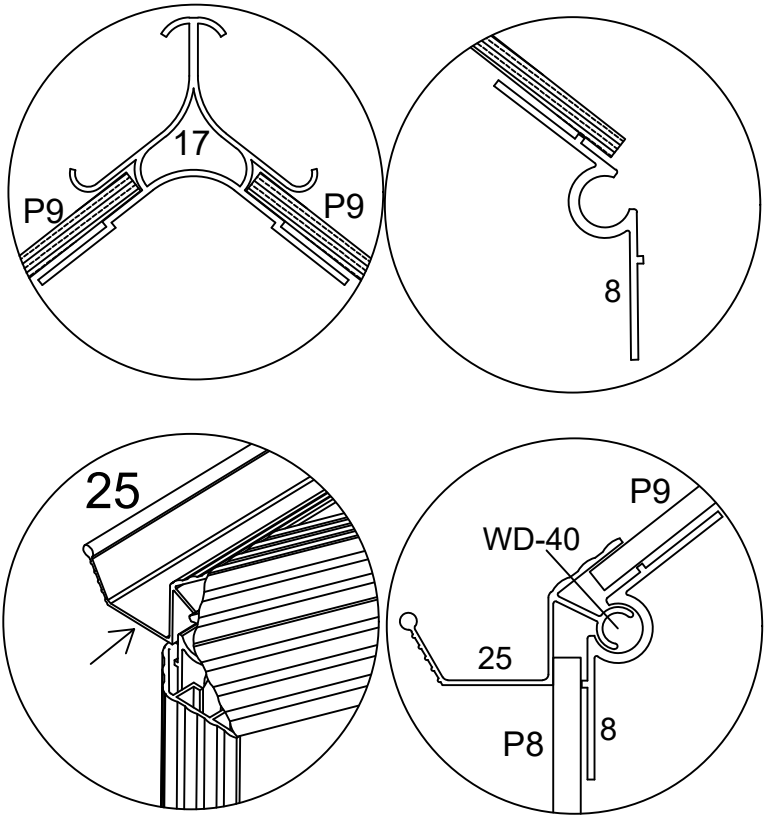



P9 x7

P10

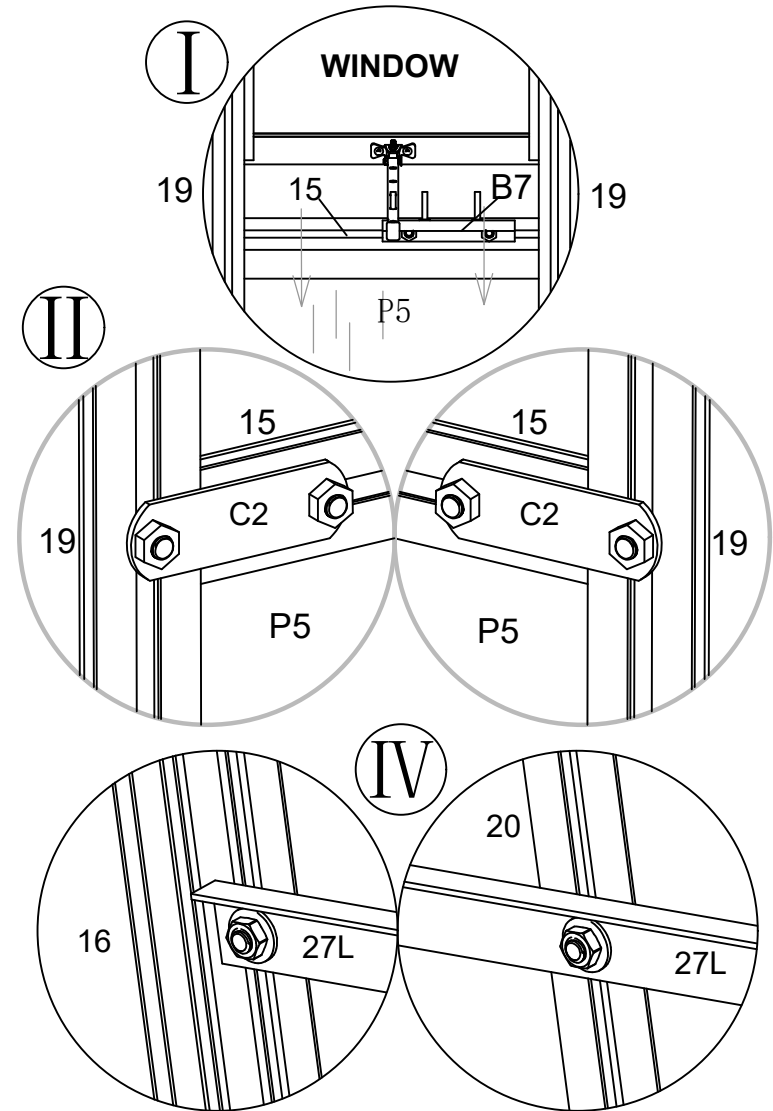
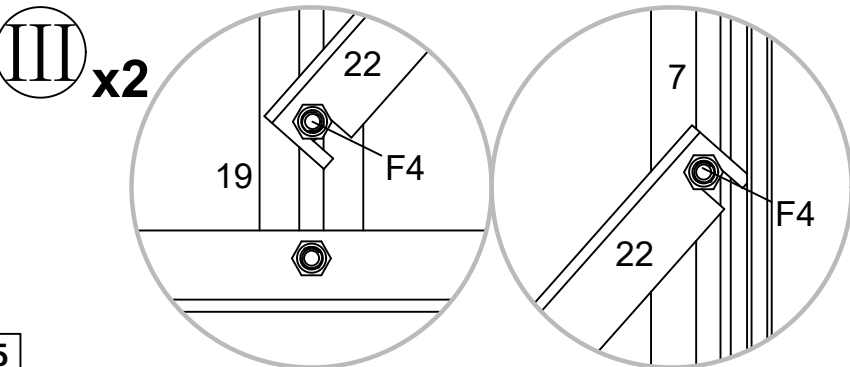
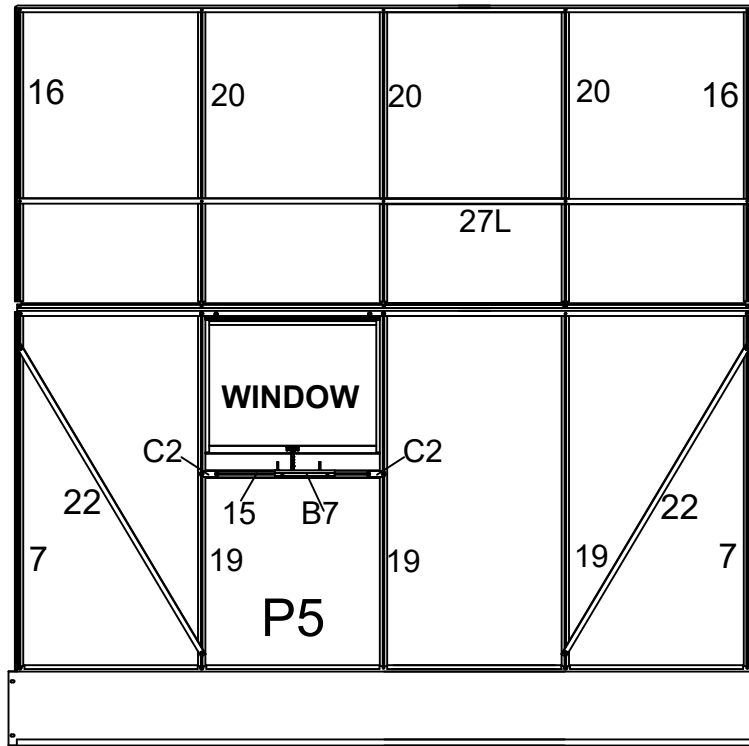
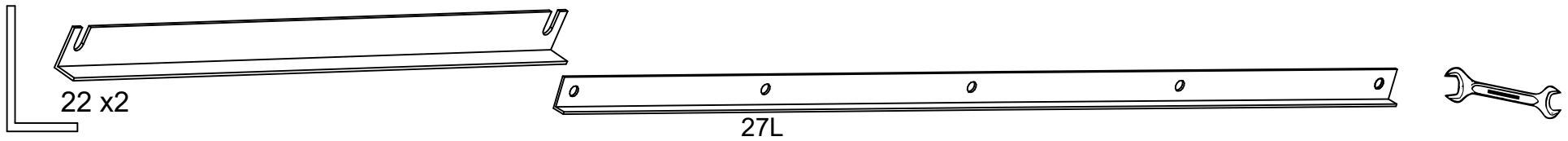


Eaves Installation

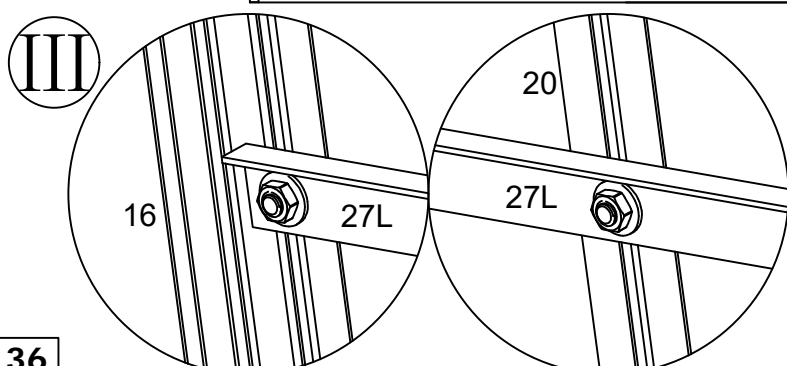
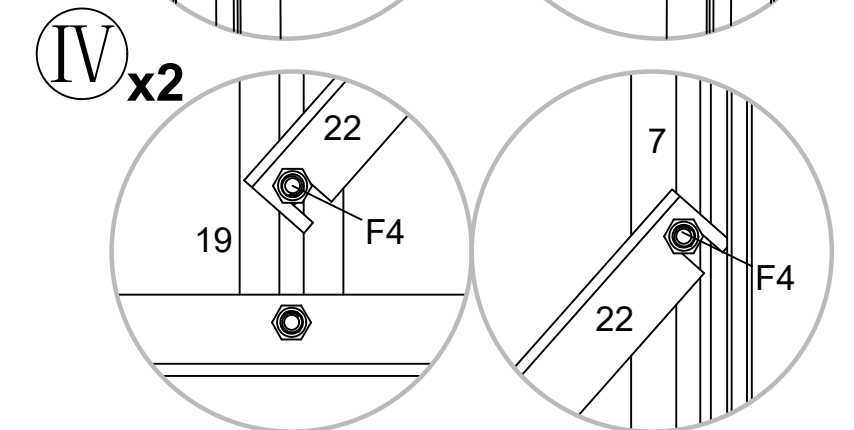
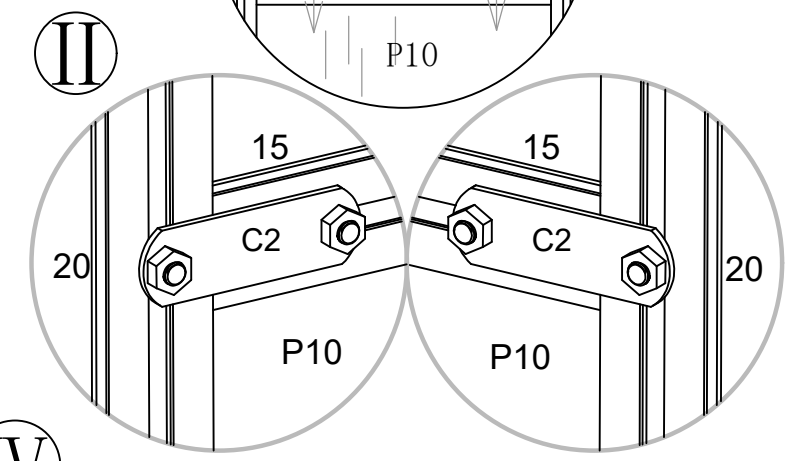
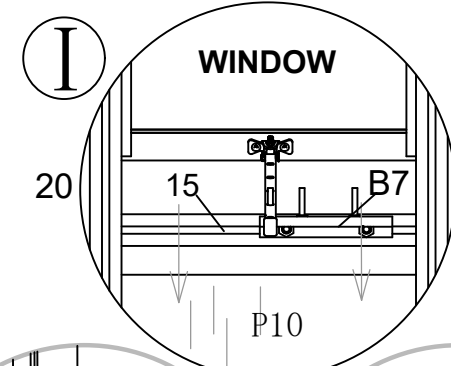
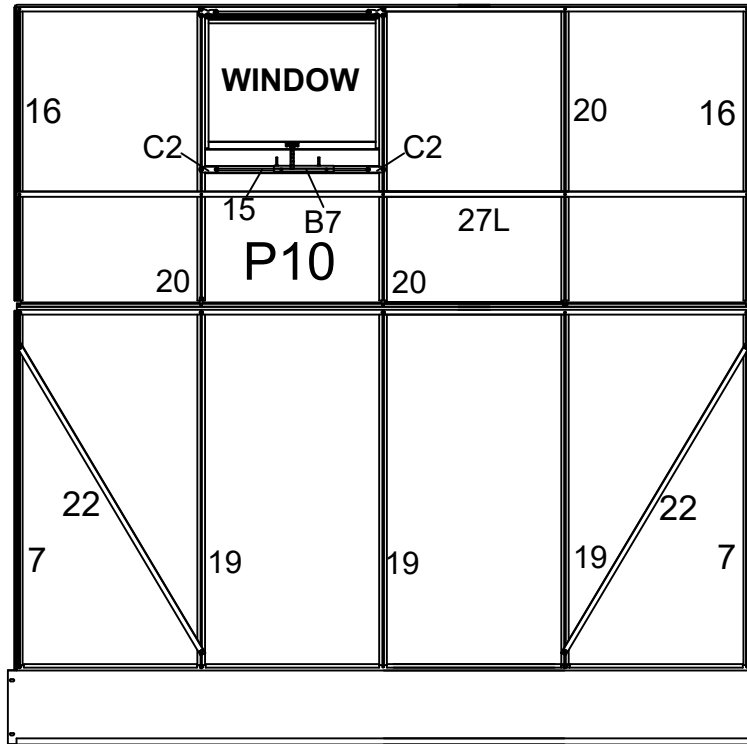
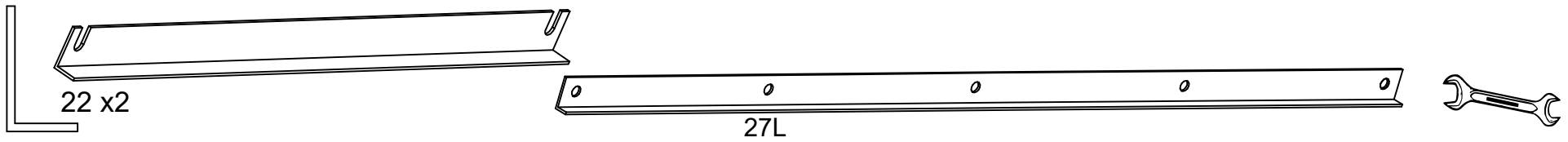


 It is easier to install grease or WD-40 when using NO.25 parts in this step.

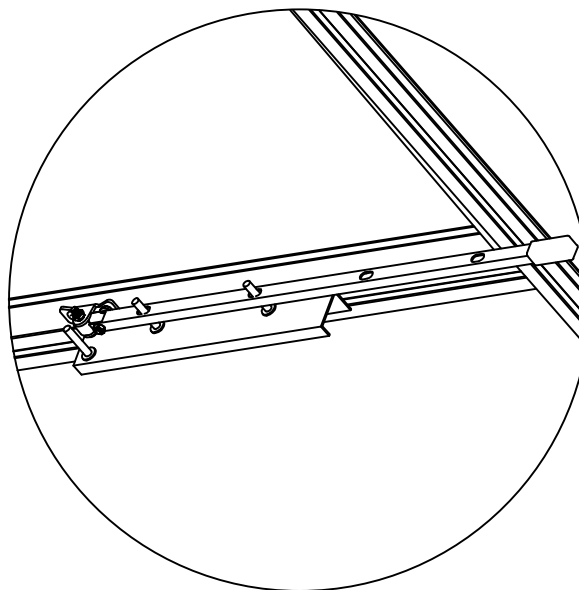
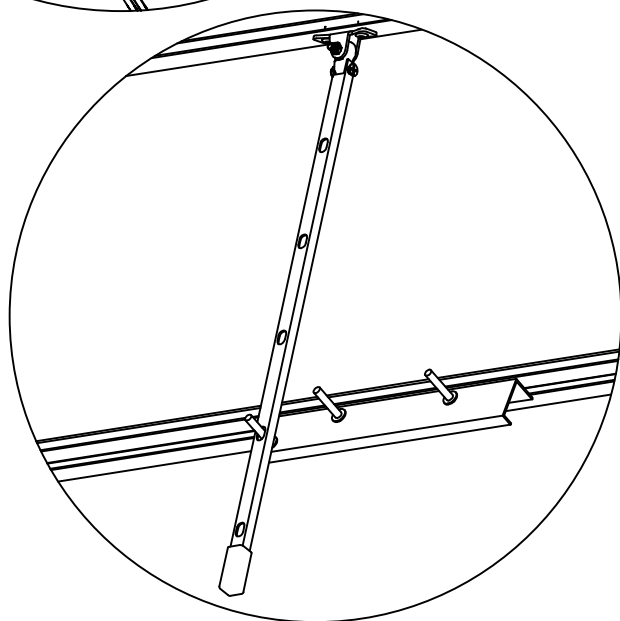
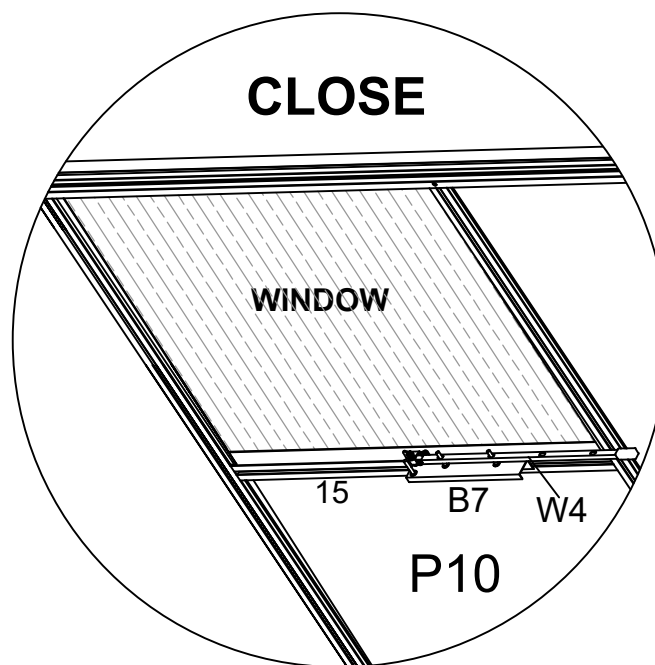
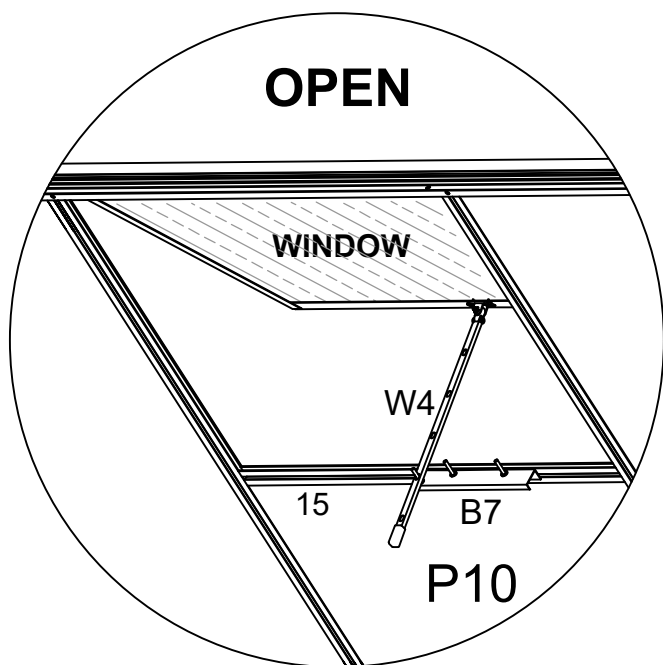
Installation for Reinforcing Ribs of left wall



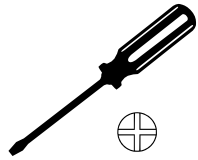
Installation for Reinforcing Ribs of right wall



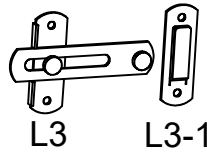
Instruction for windows operation



Installation for front wall and Door

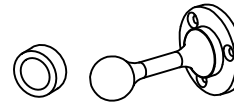


L5 x3

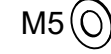


L3

L3-1



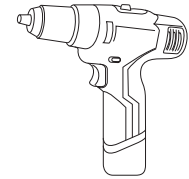
L2



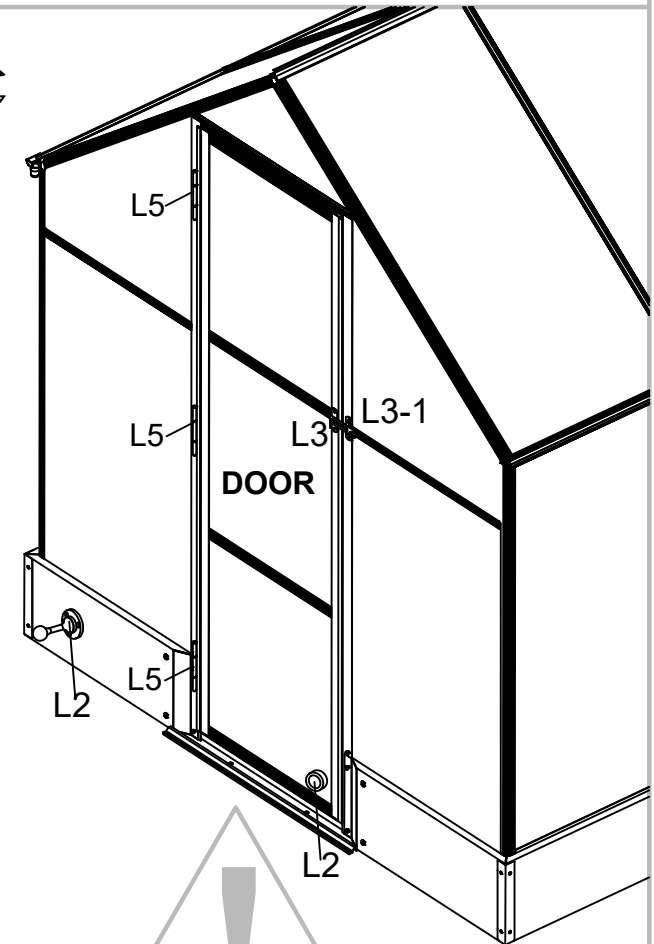
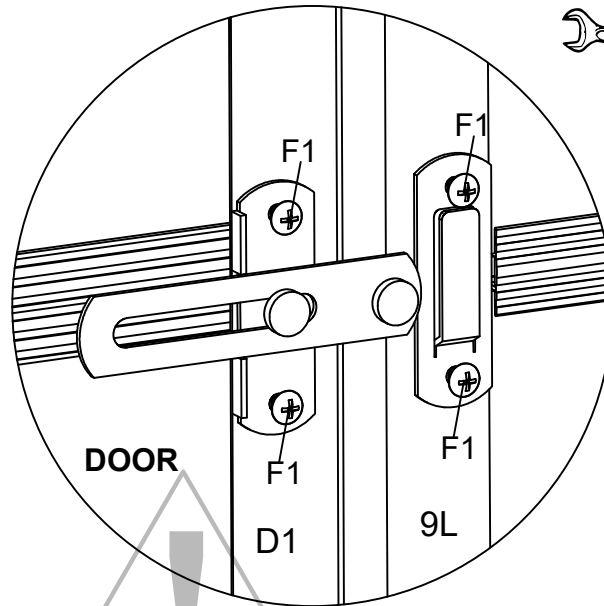
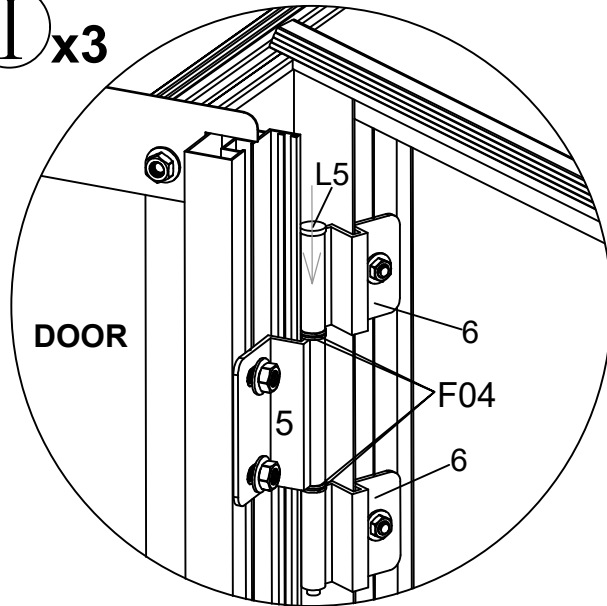
M5
F04 x12



F1 x4



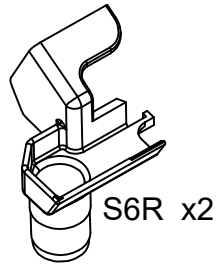
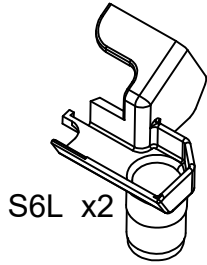
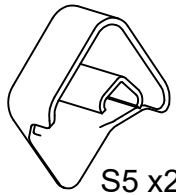
I x3



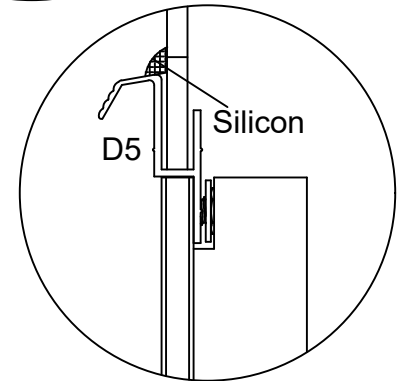
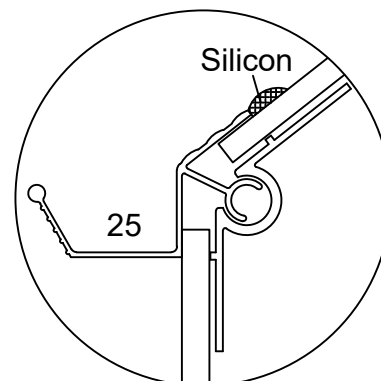
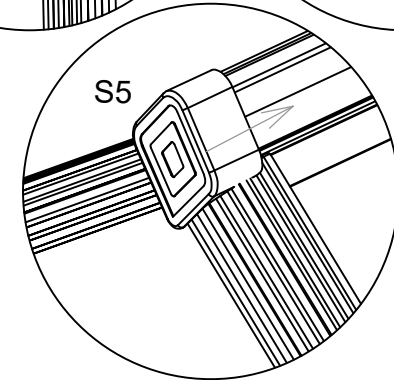
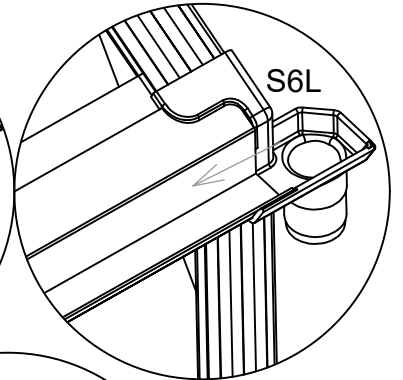
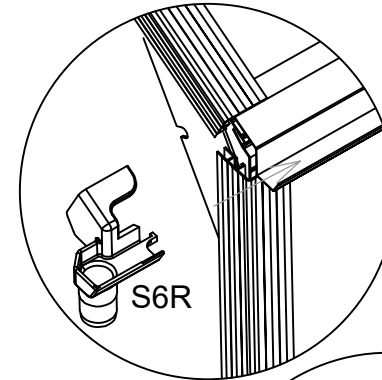
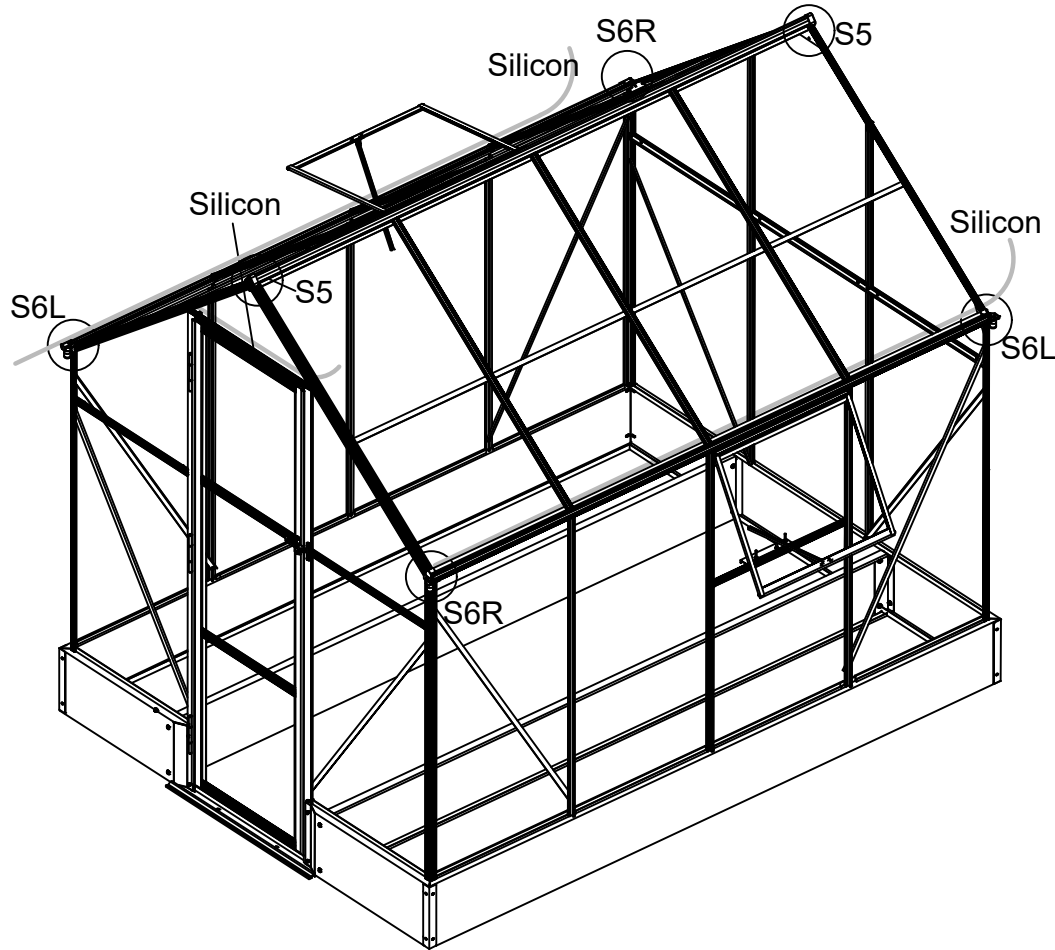
Installation steps:

1. Fix the greenhouse to prevent the location from moving.
2. NO.L3 and NO.L3-1 should be in the same horizontal position.
3. Fasten the NO.F1 screw directly with the electric wrench crosshead.

Determine the appropriate location before installing the door touch L2.



Sealing the corners of the greenhouse



Maintenance:

- 1.If the ground is not level, the unit may tilt to one side. If you find this is the case, please fix immediately to avoid damage.
- 2.Please prevent adding any increased weight to the product.
- 3.Avoid any vine/climbing plants, fruits, or vegetables from growing on the canopy as to not compromise the structure and durability of the product. If the structure is compromised, it can easily cause the frame to crack, break, or collapse.

PC Panel Maintenance:

- 1.When using the product, please do not use sharp objects on collision films to avoid cuts. Be careful not to have a sharp object touch the film as it may scratch.
- 2.If films rupture, you may use glue to repair or use transparent tape. Polyurethane adhesive is also available for repairs.
- 3.Clean films regularly to keep the light transmittance as clear as possible.
- 4.The boards/panels have flame retardant polycarbonate material applied to them and is recommended to keep away from fire to avoid softening or deformation.

Frame Maintenance:

- 1.The frames are made of aluminum alloy structure. If white spots or dirt is shown, please wipe with a wet cloth. White spots are normal in a wet/warm environment.
- 2.If there is any distorting with the calibration, please fix immediately. Any distortion can cause the skylight to fall. Please refer to the instruction manual for repairs.
- 3.If any connection piece rusts, change out the screws to ensure the connection part is firm and stable.

Weather Protection:

- 1.**WARNING:** If there is lightening, do not stay in or under the product. The frames are constructed of aluminum alloy, which is conductive, and may cause serious damage.
- 2.When wind power reaches 40mph or above, you may need to set up defense equipment and fix the gazebo columns and roof. To fix the walls, use a strong rope or cable and connect to the four angles of the anchors with a block inserted into the soil or tied to a nearby tree at least 4in.in diameter. When wind decreases, please remove safety measures of ropes.
- 3.Clear any leaves on top of canopy to reduce heat preservation.
- 4.During snowy months, please remove any snow from pavilion to avoid any walls or roofs from collapsing.

Outdoor Products

1-Year Limited Warranty Program

For a period of one (1) year after purchase, Hanover (“Manufacturer”) will either repair or replace defective components in accordance with this Limited Warranty. This warranty is between Manufacturer and the original purchaser and is valid only when accompanied by the original purchaser’s sales receipt showing original date of purchase and location of purchase. Replacements under this warranty revert back to the date of original purchase for future warranty.

Manufacturer or its authorized dealer can accept or reject warranty claims based on its findings. This warranty applies in normal residential use only and is not intended for commercial use. Manufacturer can make substitutions as required of materials, components, and sub-components of comparable value and utility. This warranty is limited to product repair or replacement (to be determined solely by Manufacturer). Warranty return is limited to only the single affected component.

This warranty covers only manufacturing defects and does not cover normal wear and tear, damage due to acts of nature, abuse or misuse, including chemical damage from suntan oil or other chemicals, exposure to extreme heat or cold, abrasion or excessive weight. This product is intended to be used in standard installations only. This warranty is invalid if the product is not used for intended purpose. Manufacturer disclaims liability for any aspect of installation and any inconvenience caused by a defective part of a component.

Certain items are not covered by this warranty. These include, but are not limited to the following:

1. Items subjected to abuse, including abuse intended to simulate failure.
2. Any part which merely exhibits normal wear yet functions essentially as new, including tears/rips, chips, scratches or stretching of materials and stitching.
3. Tears, rips, punctures, scratches or any damage caused by improper installation or use.
4. Fading and/or discoloration of materials resulting from exposure to the elements, chemicals, oils, fluids or any other cause are not covered.

To make a claim, contact us by the email address or the toll-free number below. Please have available a copy of the original sales receipt along with a brief description of the problem. Please also provide your email address and daytime telephone or cell phone #. All items may be charged actual freight costs plus \$15 for handling. Repairs or replacement will be made at the Manufacturer’s option. **Sales and use taxes, plus shipping and handling charges are the responsibility of the consumer.**

THIS IS THE ENTIRE EXCLUSIVE EXPRESS LIMITED LIABILITY. THE MANUFACTURER NEITHER MAKES NOR IS RESPONSIBLE FOR ANY OTHER WARRANTIES, EITHER EXPRESS OR IMPLIED, INCLUDING THOSE OF RETAILING DEALERS. THIS EXCLUSIVE REMEDY IS LIMITED TO RECEIPT OF A CREDIT IN CONNECTION WITH THE REPAIR OR REPLACEMENT OF ANY PRODUCT OR COMPONENT DEEMED TO BE DEFECTIVE UNDER THE TERMS AND CONDITIONS AS STATED IN THIS WARRANTY. NEITHER HANOVER, THE PRODUCT MANUFACTURER NOR ITS AGENTS SHALL BE LIABLE IN ANY CASE FOR INCIDENTAL, INDIRECT, SPECIAL OR CONSEQUENTIAL DAMAGES RESULTING FROM THE USE OF THIS PRODUCT OR ARISING OUT OF ANY BREACH OF THIS WARRANTY OR NEGLIGENCE EVEN IF IT HAS BEEN ADVISED OF THE POSSIBILITY OF SUCH DAMAGES. EXCEPT AS OTHERWISE MAY BE REQUIRED BY LAW, THERE ARE NO OTHER EXPRESS OR IMPLIED WARRANTIES OTHER THAN THE WARRANTY DESCRIBED HEREIN, AND ALL OTHER WARRANTIES, INCLUDING ANY IMPLIED WARRANTY OF MERCHANTABILITY OR FITNESS FOR A PARTICULAR PURPOSE ARE EXPRESSLY DISCLAIMED.

Contact Warranty Services at 1-877-397-5144

Or email us at:

ContactUs.Hanover-Products.com

or

www.Hanover-Products.com

8/1/2019