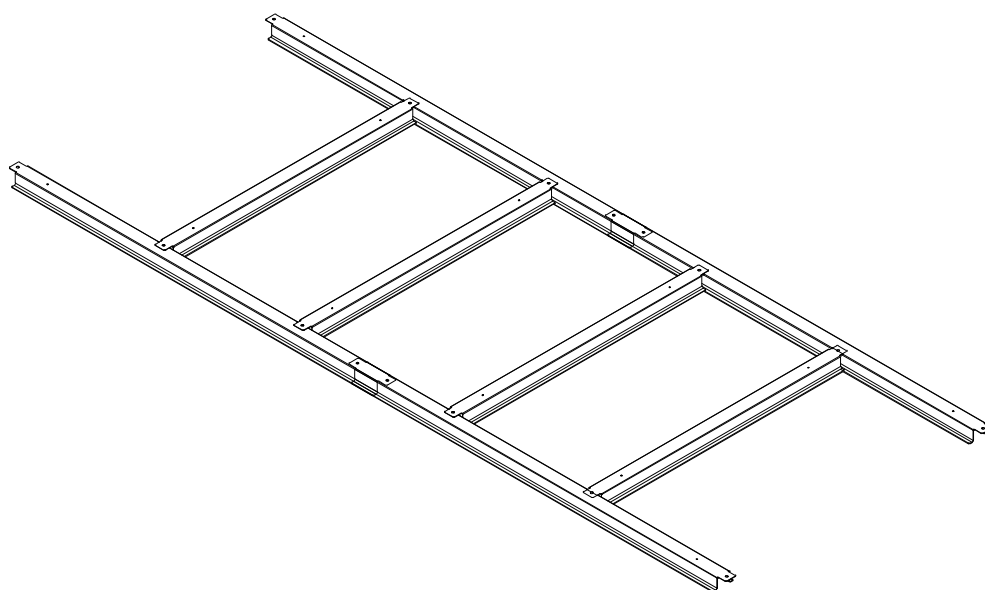






Metal Garden Shed

Foundation Kit

Instructions for Assembly

9820001-B



NO.	PART	Qty.	NO.	PART	Qty.
W1	 925mm	2	F1		20
W2	 925mm	2			
W3	 796mm	4			

