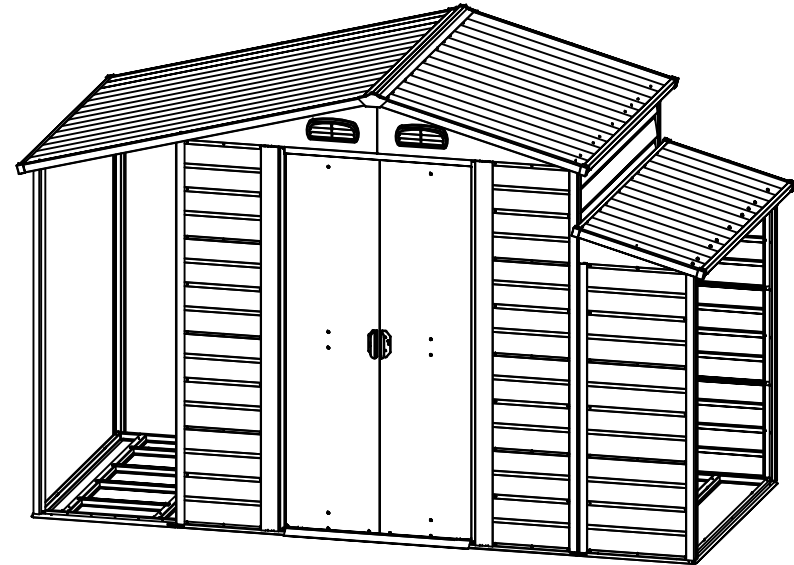


Metal Garden Shed

OWNER'S MANUAL

Instructions for Assembly

Size:L152 x W309 x H203cm
Size:L5 x W10.3 x H6.7 Feet



9820001-1
9820001-2

Requires two people and takes 4-5 hours for Installation.

Quick & Easy Assembly

Ridge Reinforced Walls

BEFORE YOU START

Owner's Manual

Prior to installation, it is important that you contact your local government authority to determine if building approval is required. Study and understand this owner's manual. Important information and helpful tips will make your construction easier and more enjoyable.

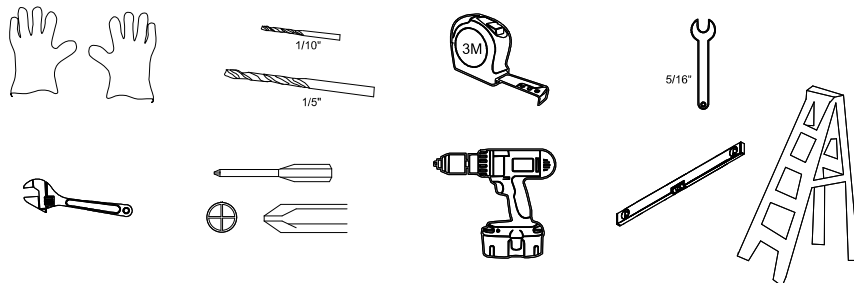
Assembly instructions

Instructions are supplied in this manual and contain all appropriate information for your building model. Review all instructions before you begin. During assembly, follow the step sequence carefully for correct results. Please be aware: **this unit takes two people about one full day to complete.**

Parts

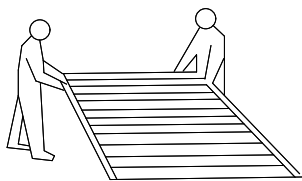
Check to be sure that you have all the necessary parts for the building. Separate contents of the carton by the part number while reviewing parts list. Familiarize yourself with the hardware and fasteners for easier use during construction. These are packaged within the carton. Note that extra fasteners have been supplied for your convenience.

TOOLS MAY REQUIRED



Use heavy duty gloves when handling steel sheets and flashing

PLAN AHEAD



Watch the weather:

Please be sure the day you select for installation is dry and calm. **DO NOT attempt to assemble your shed in windy weather** because of risk of damage to panels, or personal injury. Be careful of wet or muddy ground.

Teamwork:

Whenever possible, two or more people should work together to assemble the building. One person can position parts or panels while the other is able to handle the fasteners and the tools.

PLAN AHEAD

Site Selection

- Avoid overhanging trees as much as possible as leaves will make regular cleaning necessary and broken branches are a potential hazard.
- Small trees, bushes or fences nearby can be helpful, acting as a wind break.

Site Preparation

The site must be prepared so that the base of the shed is level all round and checking with a spirit level is required.

The base can be constructed by treated timber or concrete, in order to stop the moisture getting into the shed. **The shed is not designed to be built onto lawn directly.** Also the ground will get muddy during rainy days.

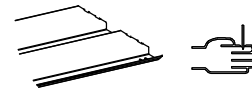
If a concrete pad is made, it is important that this slopes towards the edges to prevent water ingress.

Time must be allowed for any concrete or cement to dry before building the shed on top.

Bases can also be constructed from bricks, blocks, or mounted on a concrete pad.

The bricks or blocks should be cemented onto firm and level concrete footings and the greenhouse frame drilled and screwed to the base.

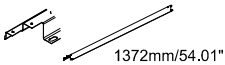
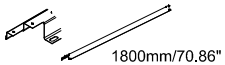


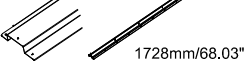




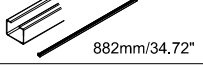
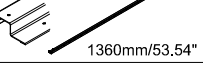
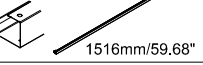
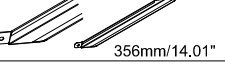
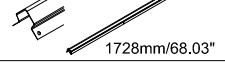
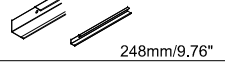

sharp edges

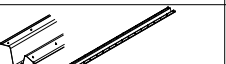

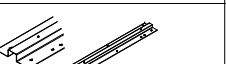




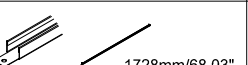



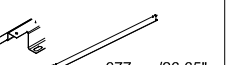
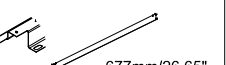
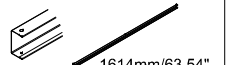
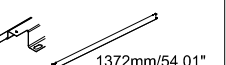
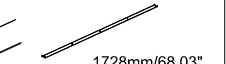


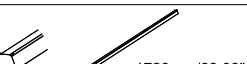
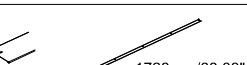




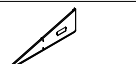



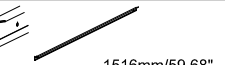
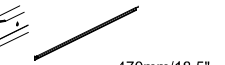
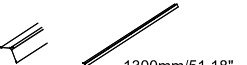
Pay attention to the sharp edges. Please wear work gloves, long sleeves and eye glasses, when assembling or performing.

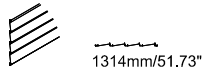
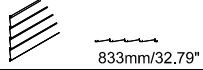
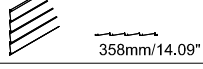
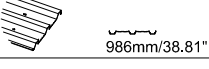
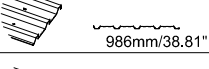
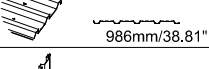
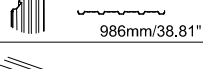
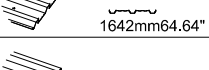
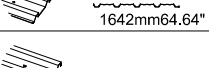
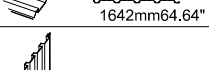
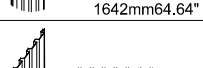
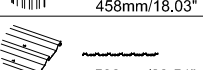
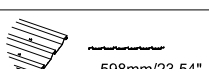
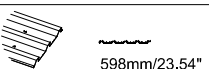
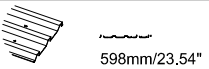

IMPORTANT NOTES:

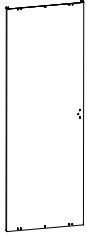
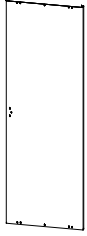
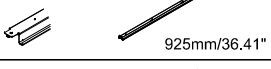
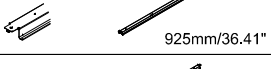
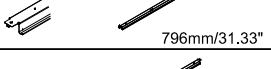
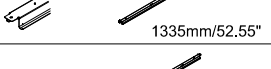

- Find someone to help you: it is much easier with someone to hold parts, pass tools ect. Also some steps require two people to lift structures together. This is not very heavy work so would suit most able-bodied people.
- Allow plenty of time: rushing often causes errors and the re-doing of incorrect assemblies. If you have never built a shed before, it can take most of a day to carefully complete the construction.
- Have the right tools to hand.
- Safety clothing as recommended in the 'Tools' section.
- Ideally lay out the parts and check that all are present before commencing construction. Lay on cloths or plastic sheets if there is any risk of scratching the parts.
- Tighten all nuts carefully, being sure not to miss any. Check the frame is square and using a spirit level to check that it is upright.





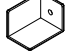








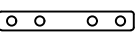
NO.	PART	Qty.
1	 1372mm/54.01"	2
2	 1800mm/70.86"	1
3L	 574mm/22.59"	1
3R	 574mm/22.59"	1
4L	 1728mm/68.03"	1
4R	 1728mm/68.03"	1
5	 830mm/32.67"	1
6	 876mm/34.48"	1
7L	 882mm/34.72"	1
7R	 882mm/34.72"	1
9	 1360mm/53.54"	2
10	 1516mm/59.68"	2
12	 356mm/14.01"	2
13	 1728mm/68.03"	4
14L	 248mm/9.76"	2
14R	 248mm/9.76"	2

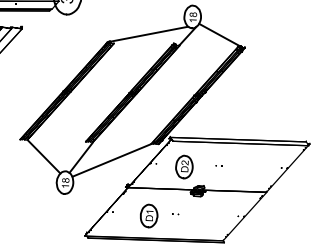
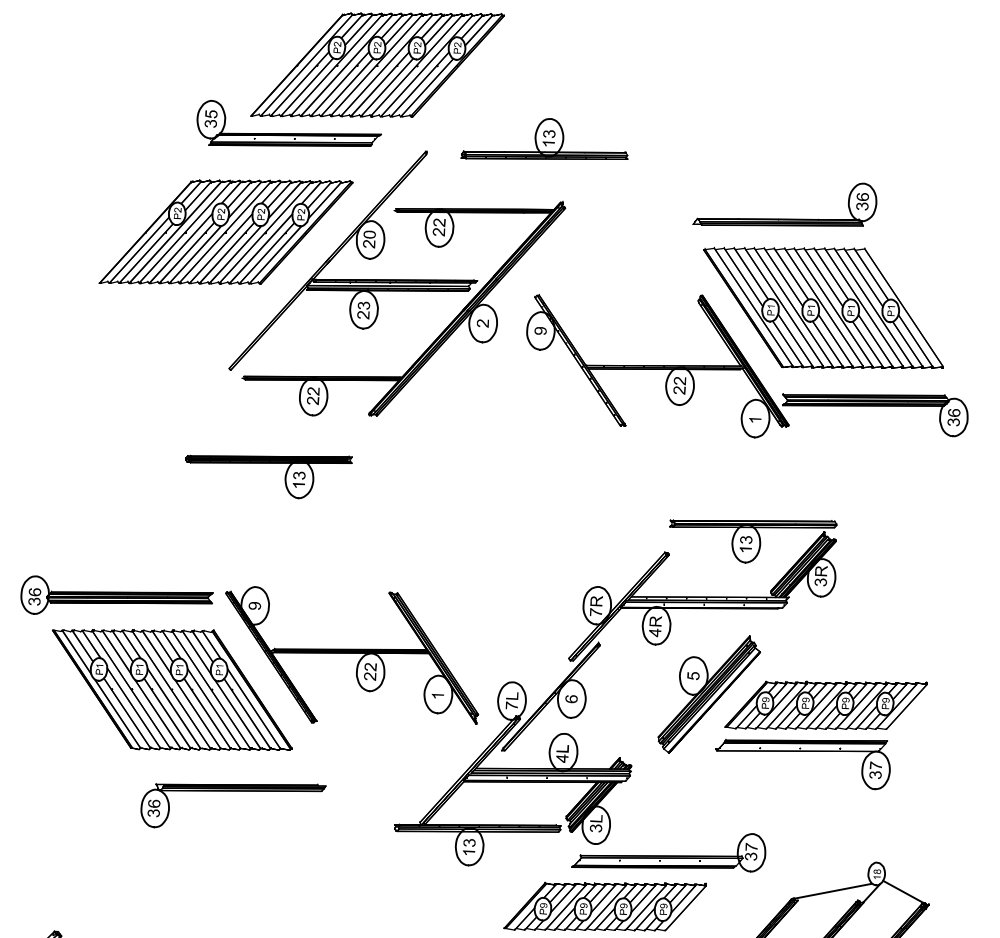
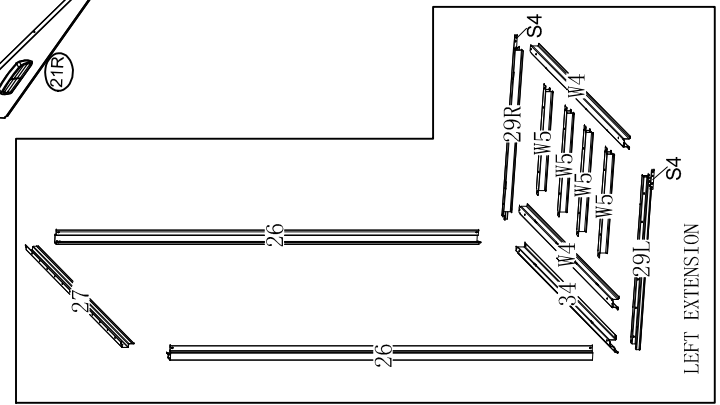
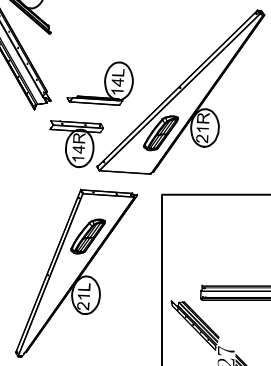
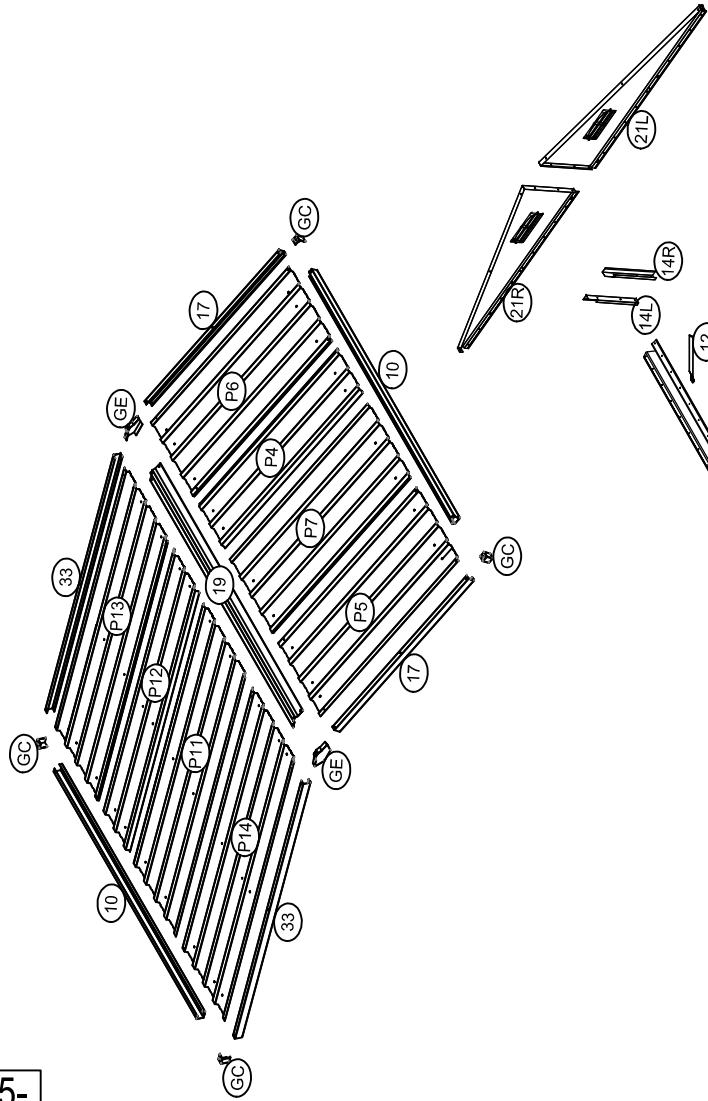
NO.	PART	Qty.
16	 1365mm/53.74"	1
17	 960mm/37.79"	2
18	 456mm/17.95"	6
19	 1516mm/59.68"	1
20	 1754mm/69.05"	1
21L	 516mm/20.31"	2
21R	 516mm/20.31"	2
22	 1728mm/68.03"	4
23	 1728mm/68.03"	1
26	 1580mm/62.2"	2
27	 1360mm/53.54"	1
29L	 677mm/26.65"	1
29R	 677mm/26.65"	1
33	 1614mm/63.54"	2
34	 1372mm/54.01"	3
35	 1728mm/68.03"	1

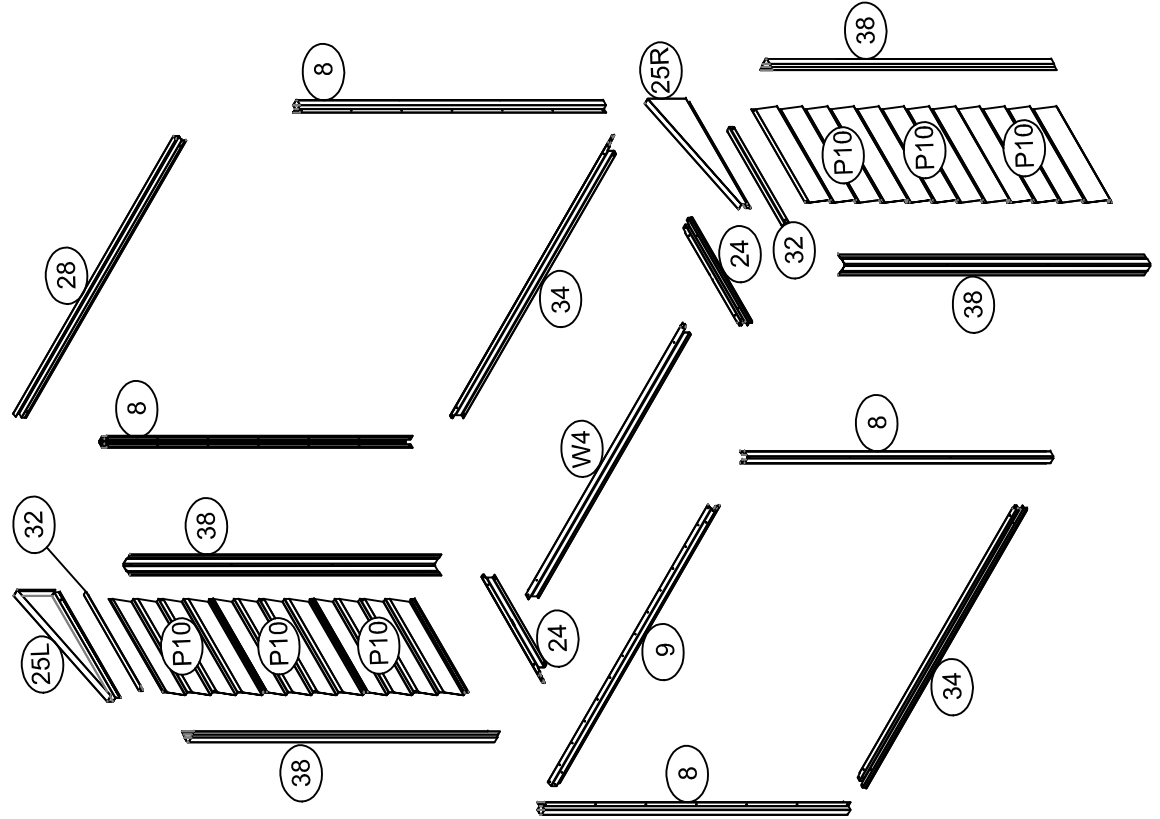
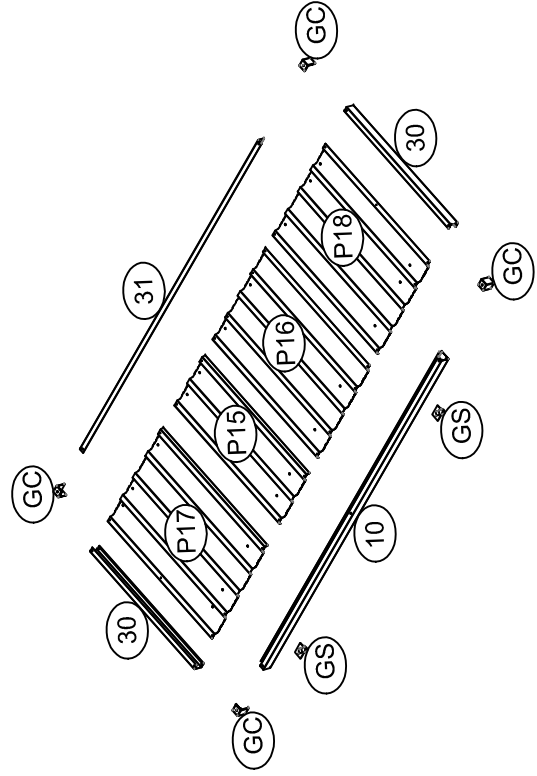
NO.	PART	Qty.
36	 1728mm/68.03"	4
37	 1728mm/68.03"	2
8	 1300mm/51.18"	4
9	 1360mm/53.54"	1
10	 1516mm/59.68"	1
24	 516mm/20.31"	2
25L	 516mm/20.31"	1
25R	 516mm/20.31"	1
28	 1360mm/53.54"	1
30	 597mm/23.5"	2
31	 1516mm/59.68"	1
32	 470mm/18.5"	2
38	 1300mm/51.18"	4

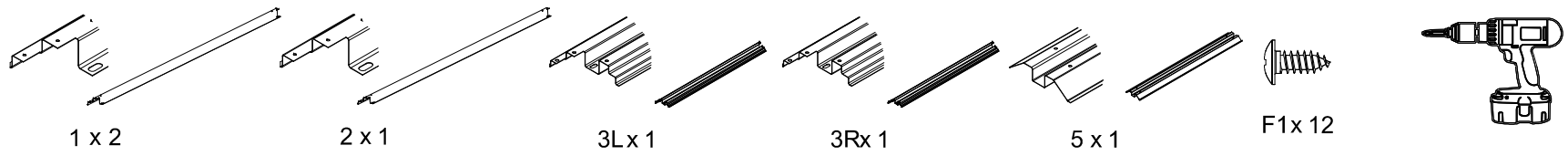
NO.	PART	Qty.
P1	 1314mm/51.73"	8
P2	 833mm/32.79"	8
P9	 358mm/14.09"	8
P4	 986mm/38.81"	1
P5	 986mm/38.81"	1
P6	 986mm/38.81"	1
P7	 986mm/38.81"	1
P11	 1642mm64.64"	1
P12	 1642mm64.64"	1
P13	 1642mm64.64"	1
P14	 1642mm64.64"	1
P10	 458mm/18.03"	6
P15	 598mm/23.54"	1
P16	 598mm/23.54"	1
P17	 598mm/23.54"	1
P18	 598mm/23.54"	1

NO.	PART	Qty.
D1		1
D2		1
NO.	PART	Qty.
W1	 925mm/36.41"	2
W2	 925mm/36.41"	2
W3	 796mm/31.33"	4
W4	 1335mm/52.55"	3
W5	 408mm/16.06"	4

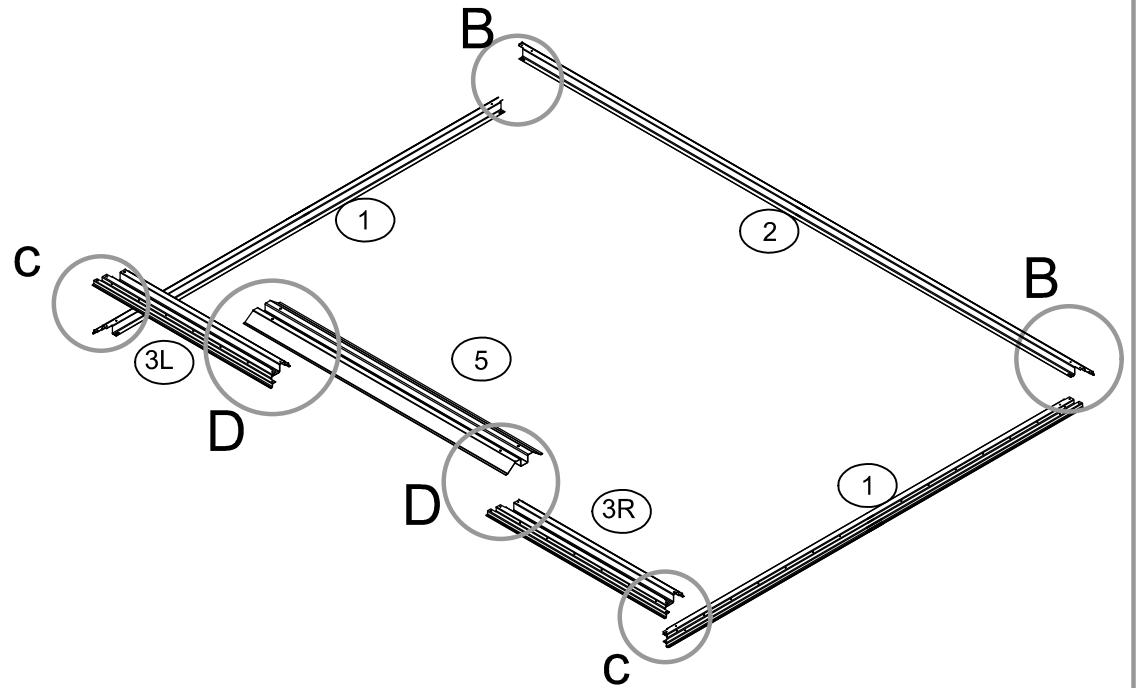
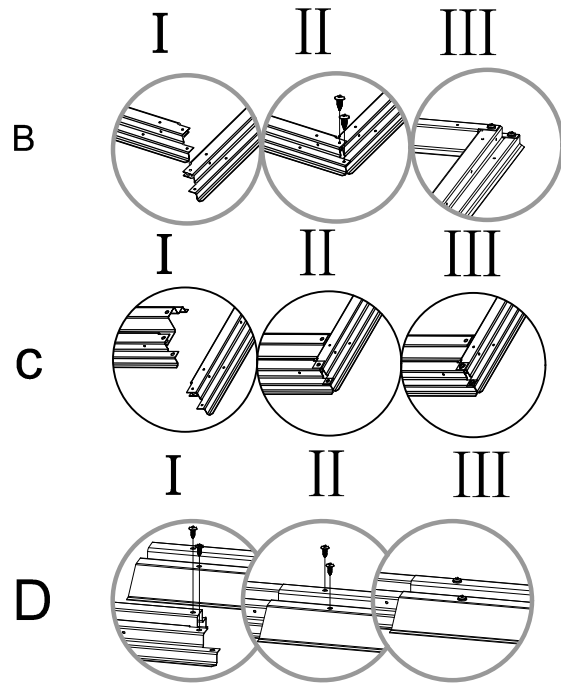
NO.	PART	Qty.
G2		4
GD		4
GF		4
GB		2
GC		8
GE		2
GS		6
F1	 #8AB-18x2/13	450
F2	 #8-32x2/13	45
F3	 #10-24x2/13	8
F4	 #8-32x2/13	10
S2		400
S3		396
S4		4



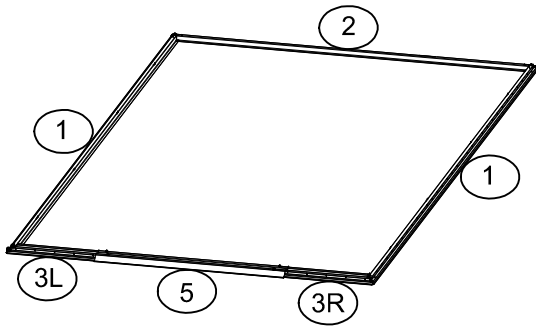




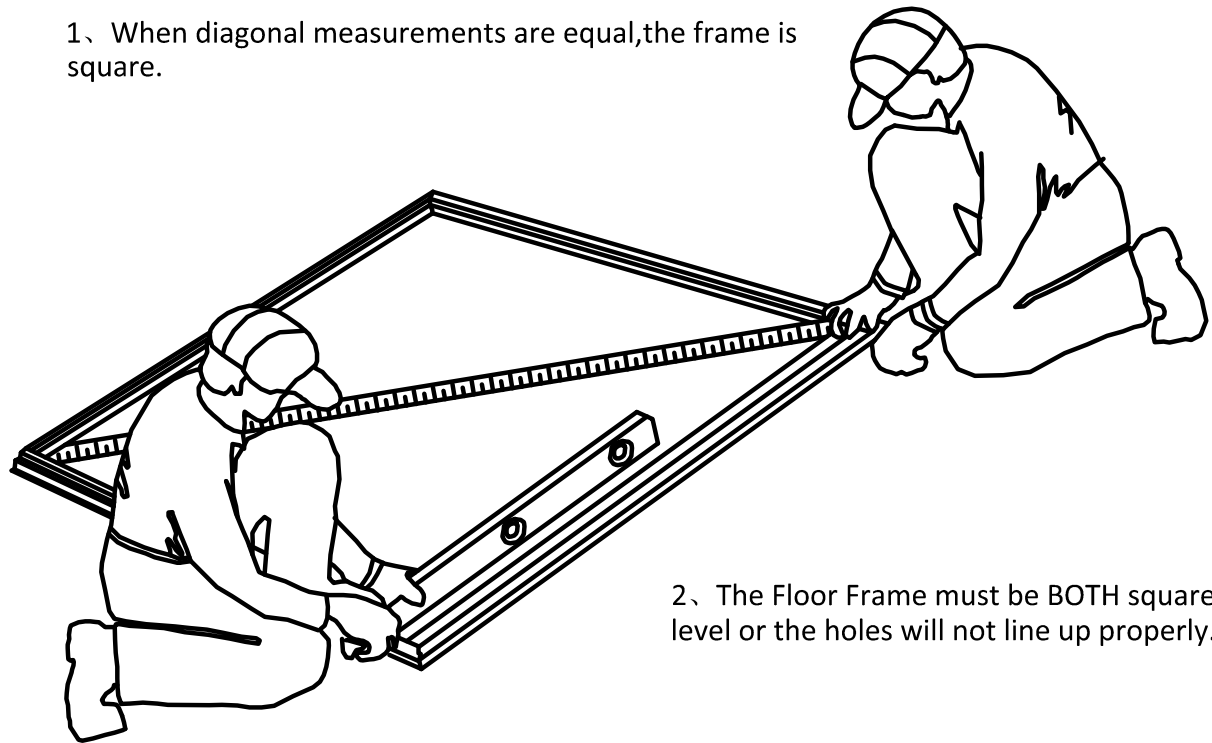
Base Assembly



Base Assembly Inspection

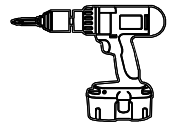
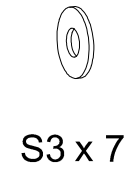
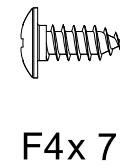
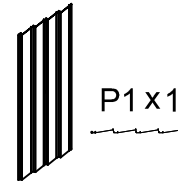
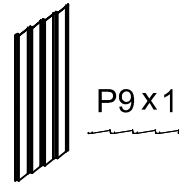
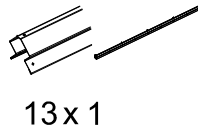
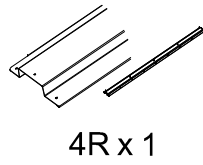


1、 When diagonal measurements are equal, the frame is square.

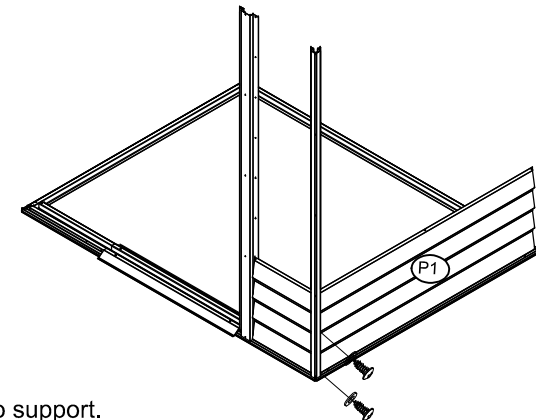
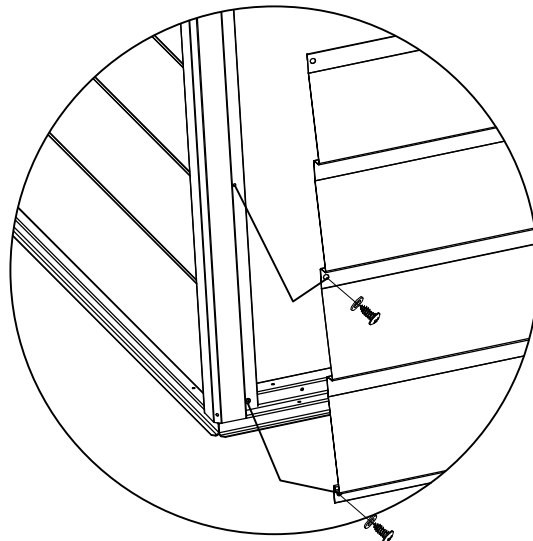
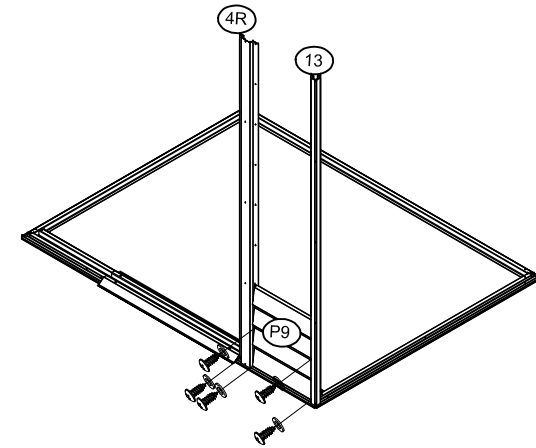
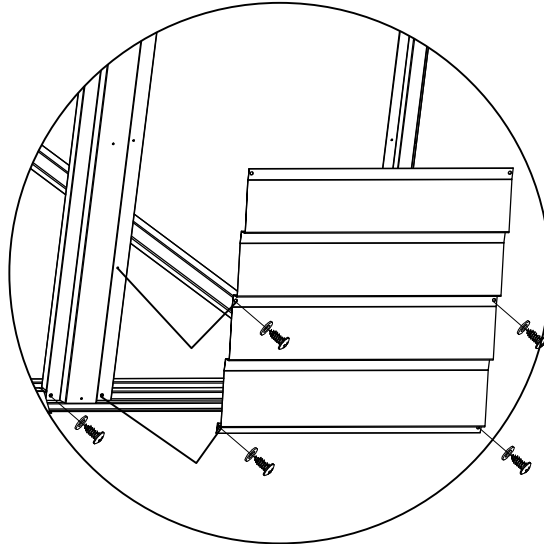
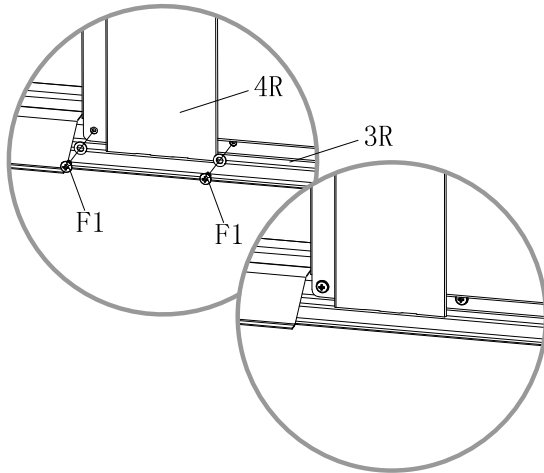


2、 The Floor Frame must be BOTH square AND level or the holes will not line up properly.

Wall Panels Installation



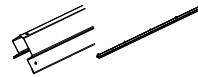
Install the parts according below order, 4R-13-P9-P1



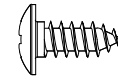
Pay attention to dumping
Need a person or a shelf to support.



22x1



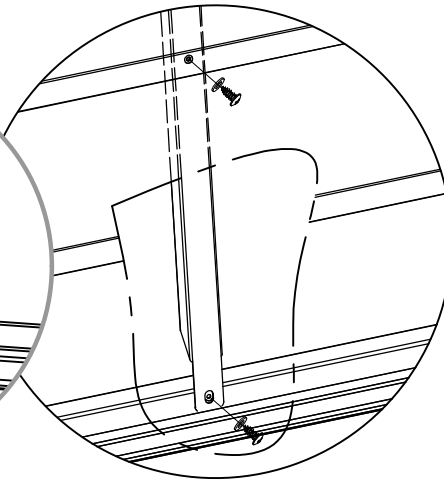
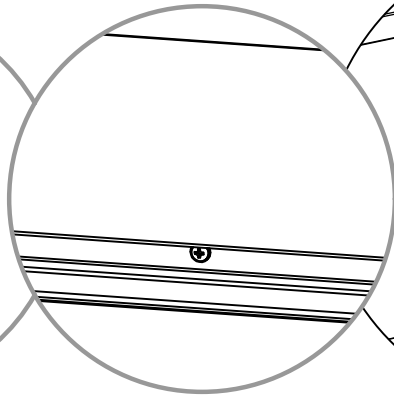
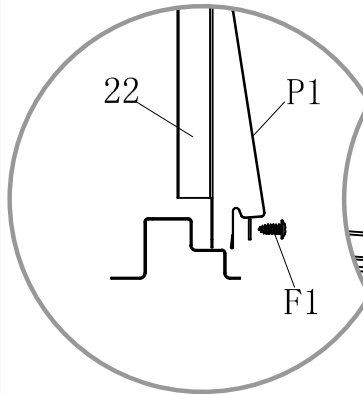
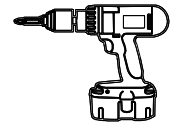
13x1



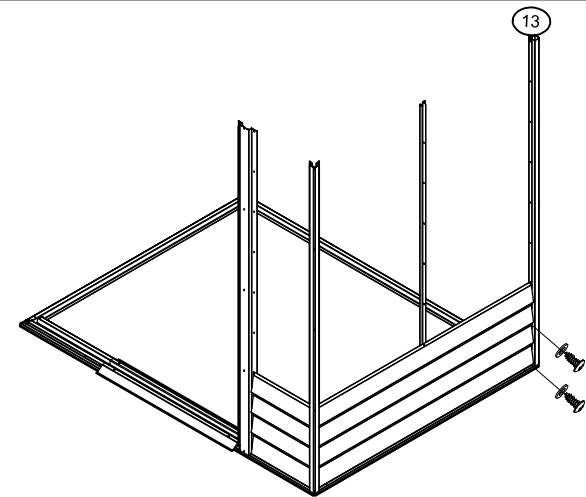
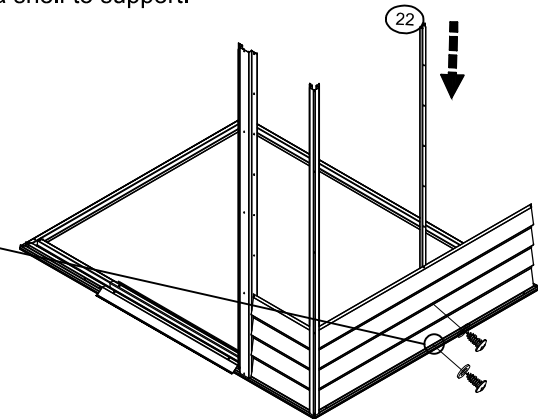
F1x4

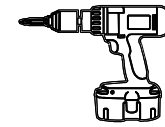
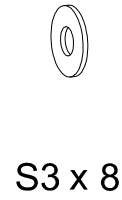
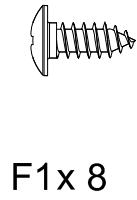
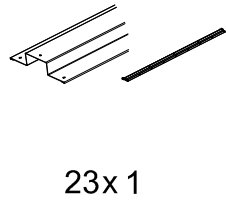
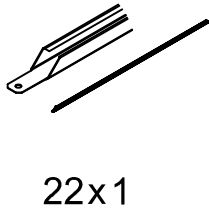
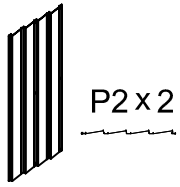


S3x4

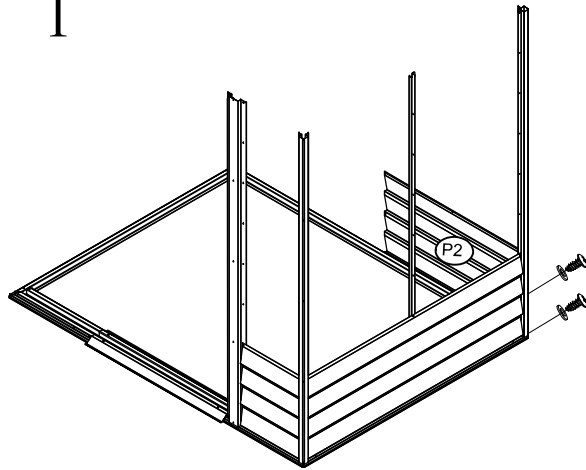


Pay attention to dumping
Need a person or a shelf to support.

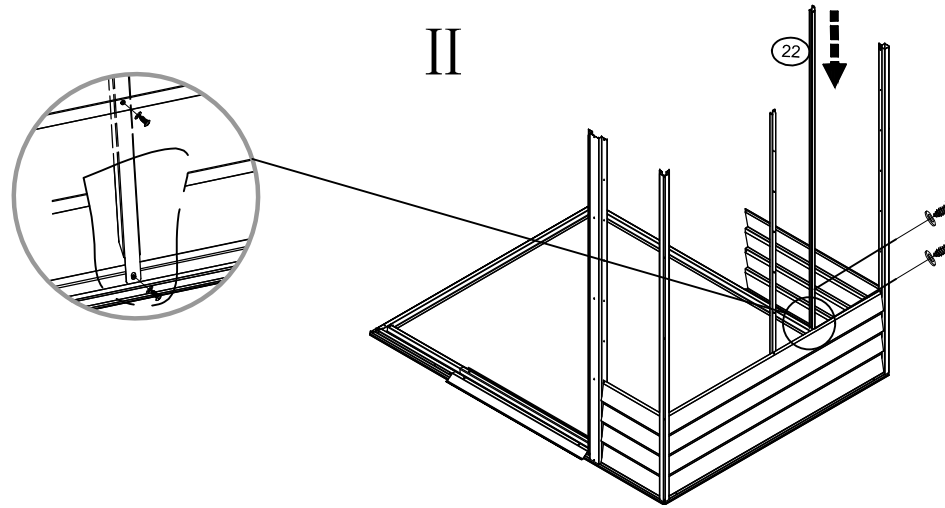




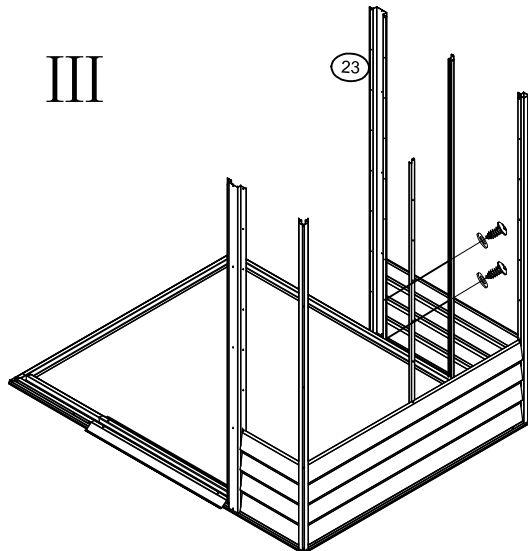
I



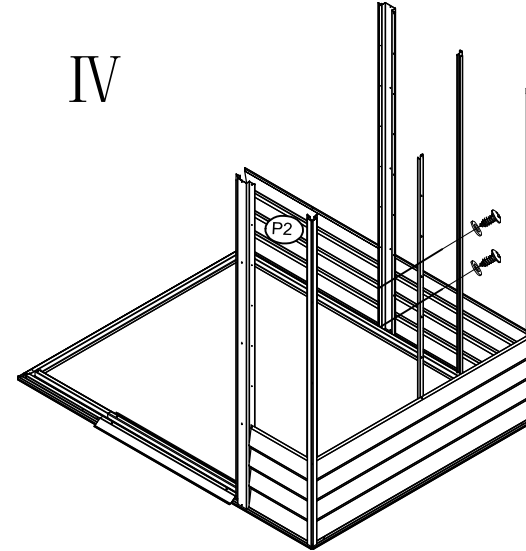
II



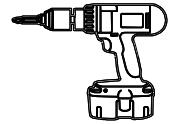
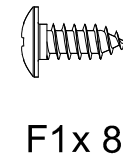
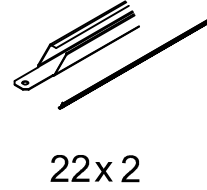
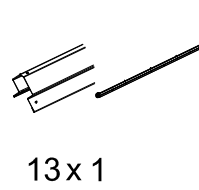
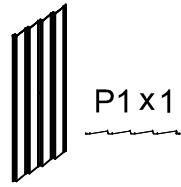
III



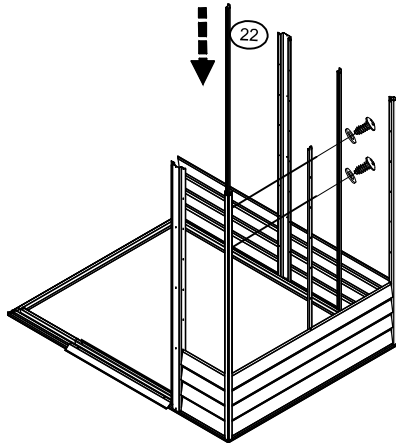
IV



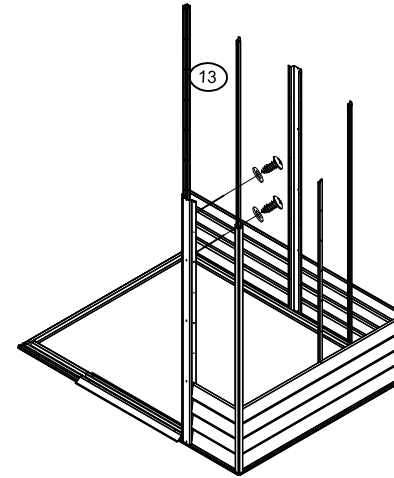
Pay attention to dumping
Need a person or a shelf to support.



I

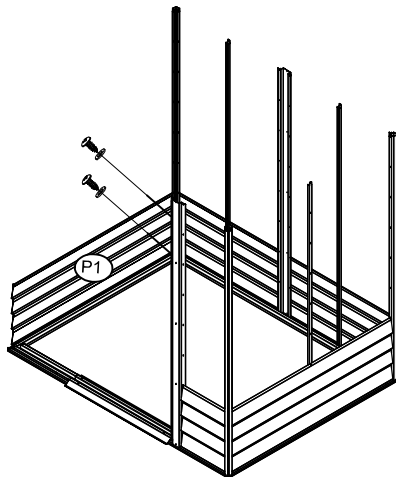


II

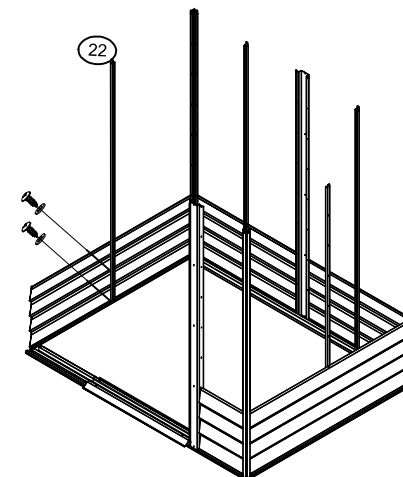


Pay attention to dumping
Need a person or a shelf to support.

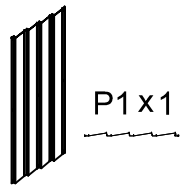
III



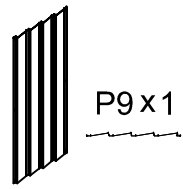
IV



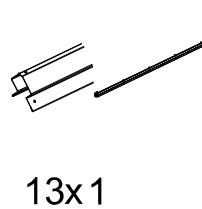
Pay attention to dumping
Need a person or a shelf to support.



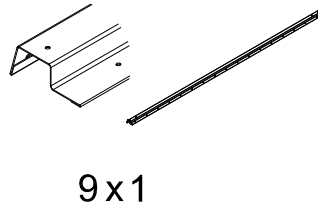
P1x1



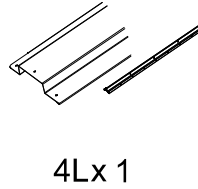
P9x1



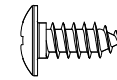
13x1



9x1



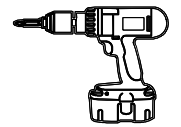
4Lx1



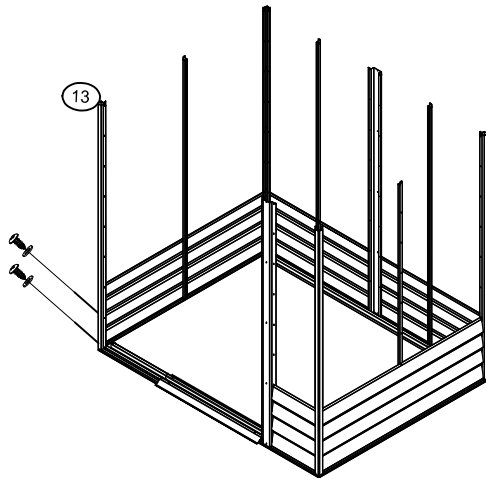
F1x13



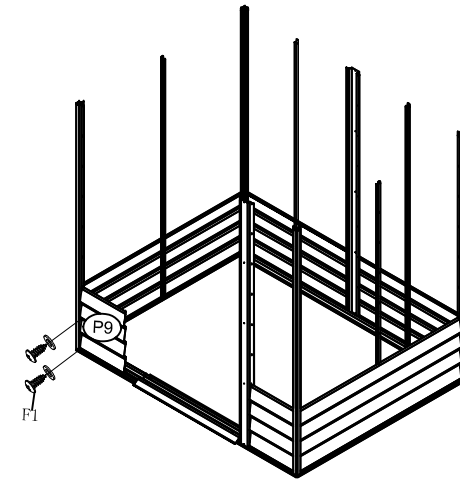
S3x13



I

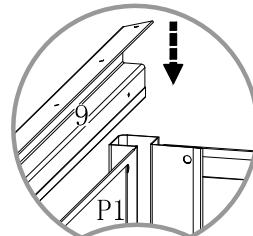
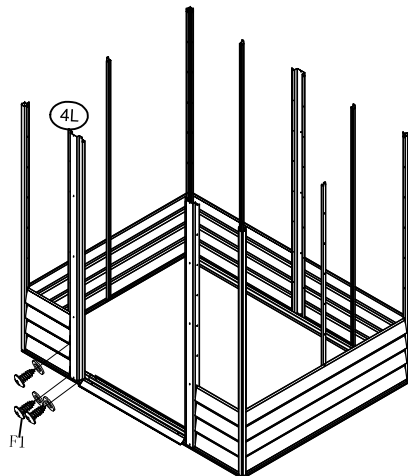


II

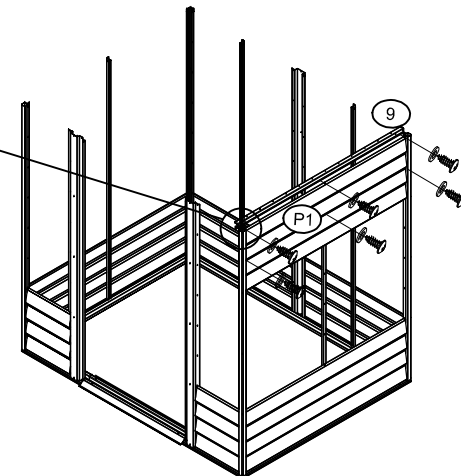
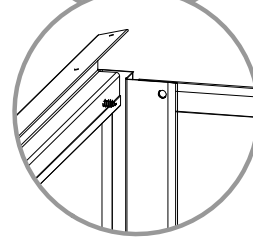


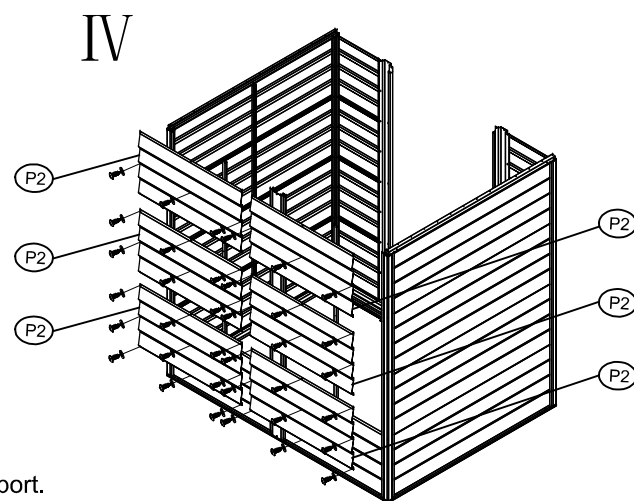
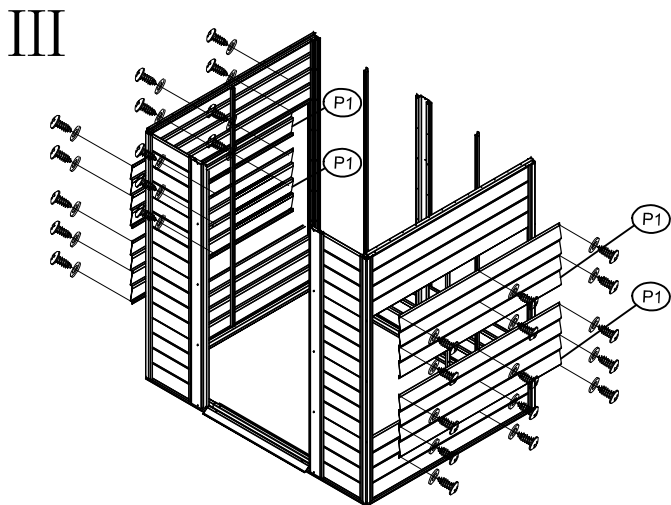
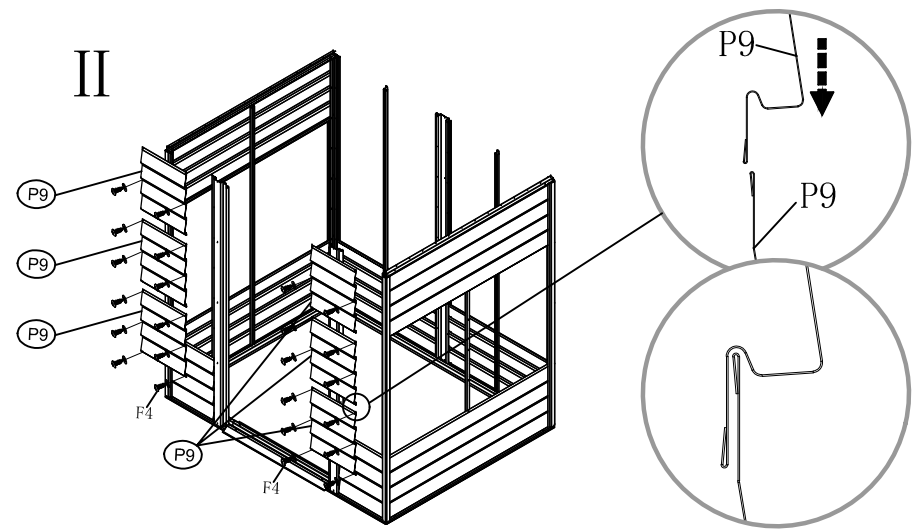
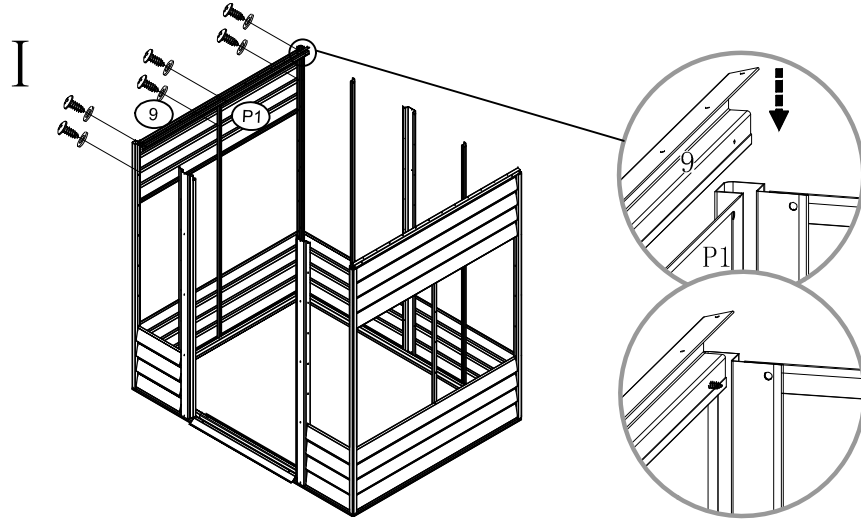
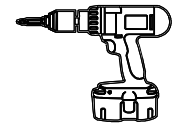
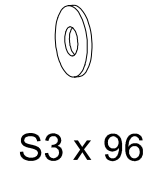
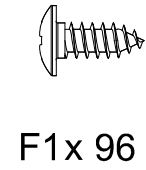
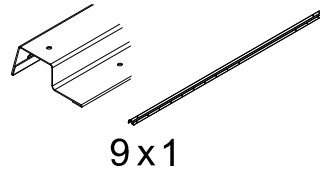
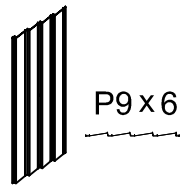
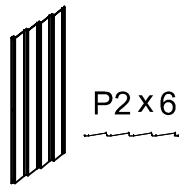
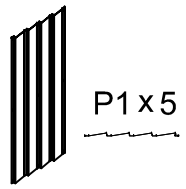
Pay attention to dumping
Need a person or a shelf to support.

III

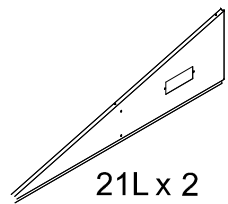


IV

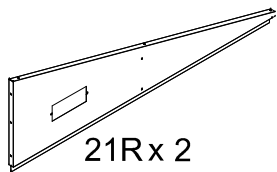




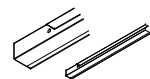
Pay attention to dumping
Need a person or a shelf to support.



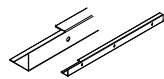
21L x 2



21R x 2



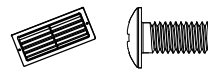
14L x 2



14R x 2



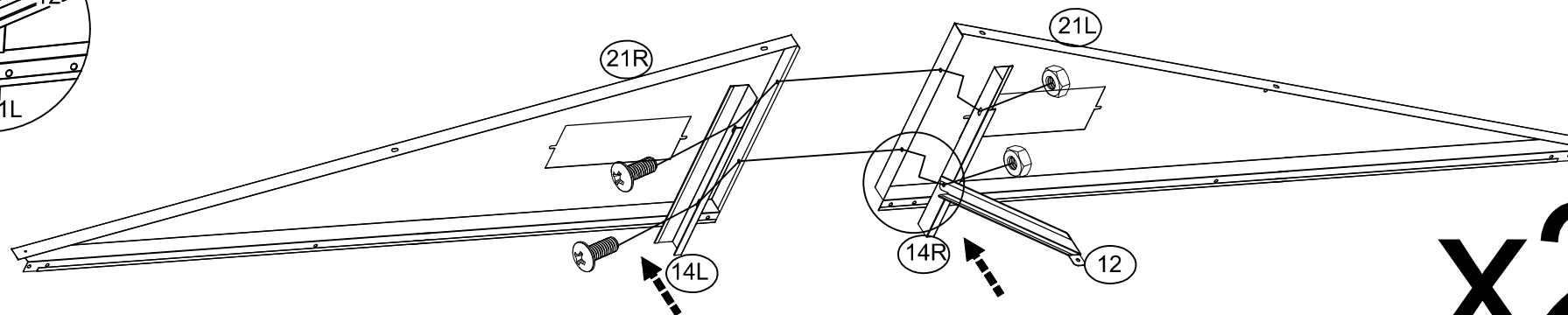
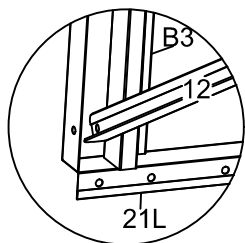
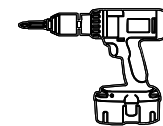
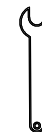
12 x 2



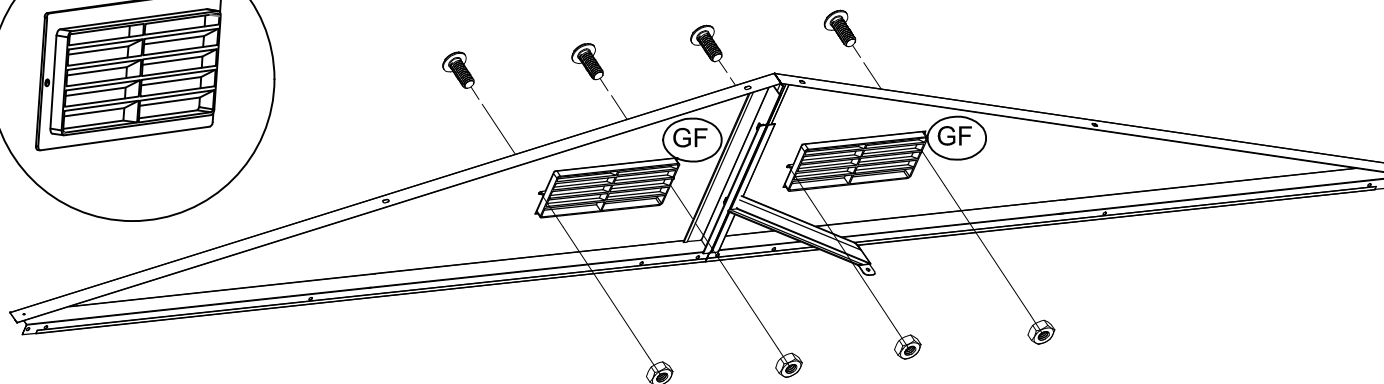
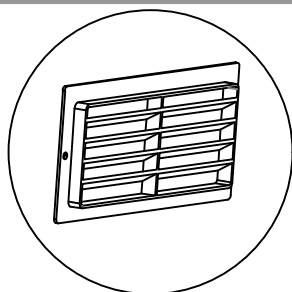
GF x 4



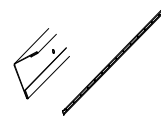
F2 x 12



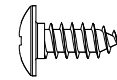
x2



x2



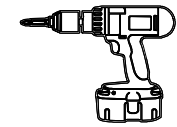
20 x 1



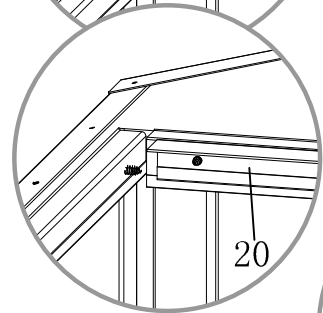
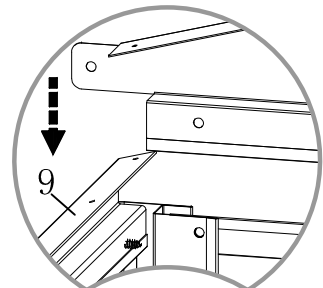
F1x 8



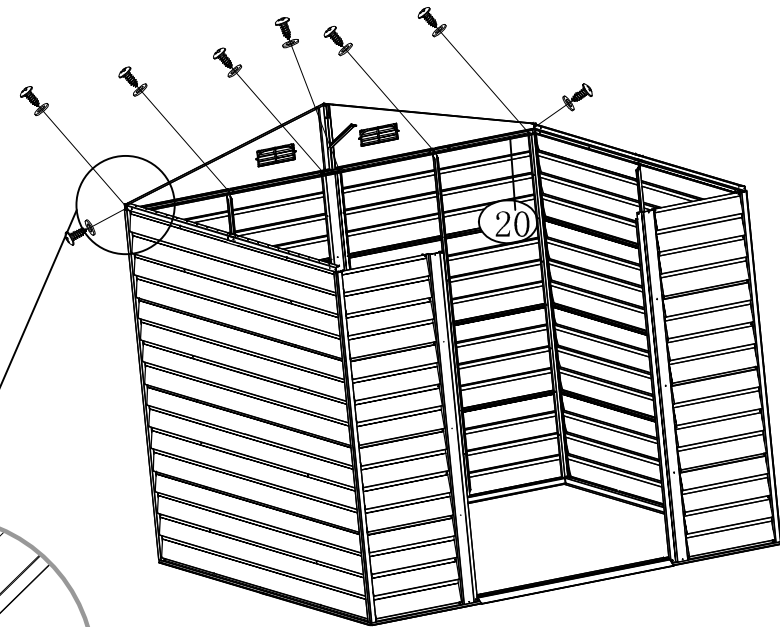
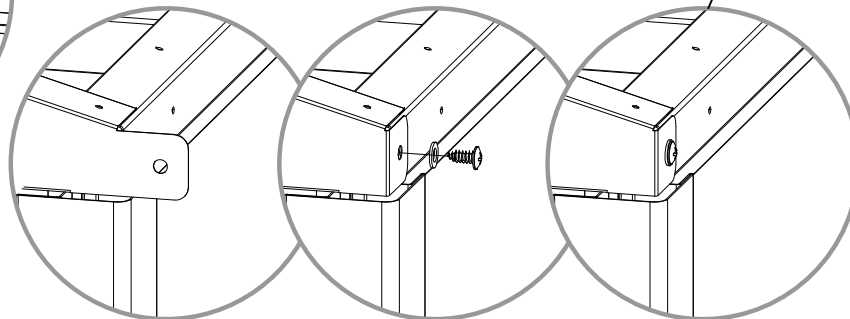
S3 x 8

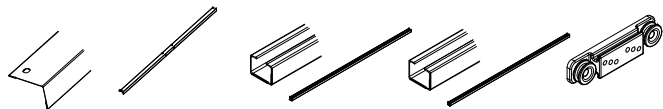


Back Triangle Panel Installation



x2



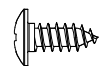


6 x 1

7Lx1

7R x1

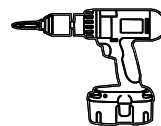
G2 x4



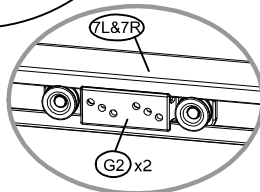
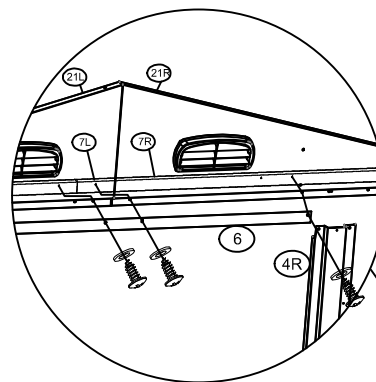
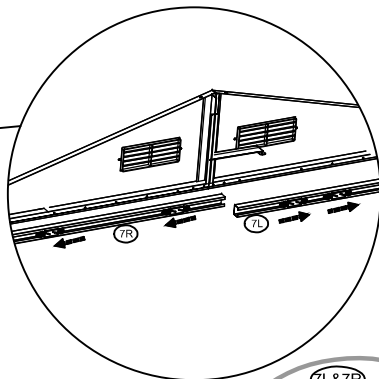
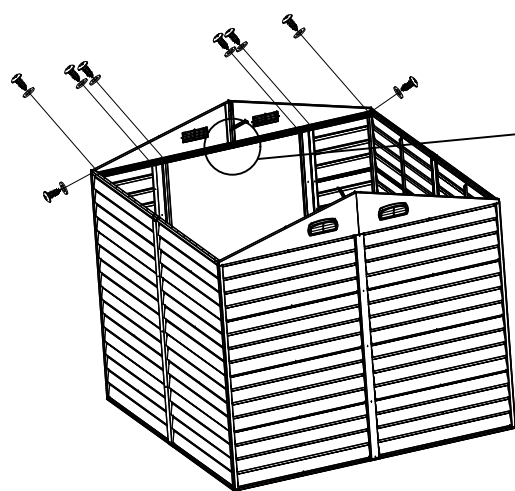
F1x 10



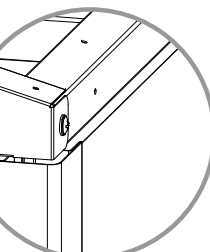
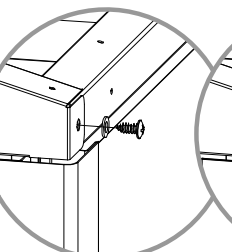
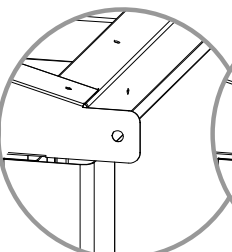
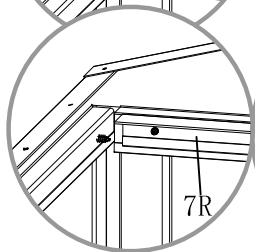
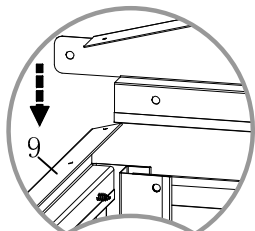
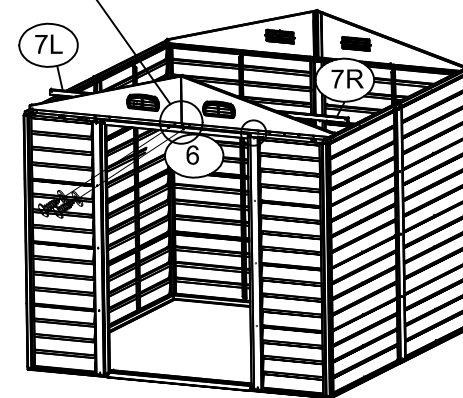
S3 x 10

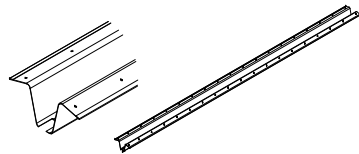


Front Trigangle Panel Installation



x2

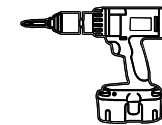




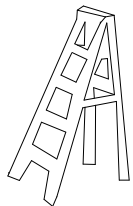
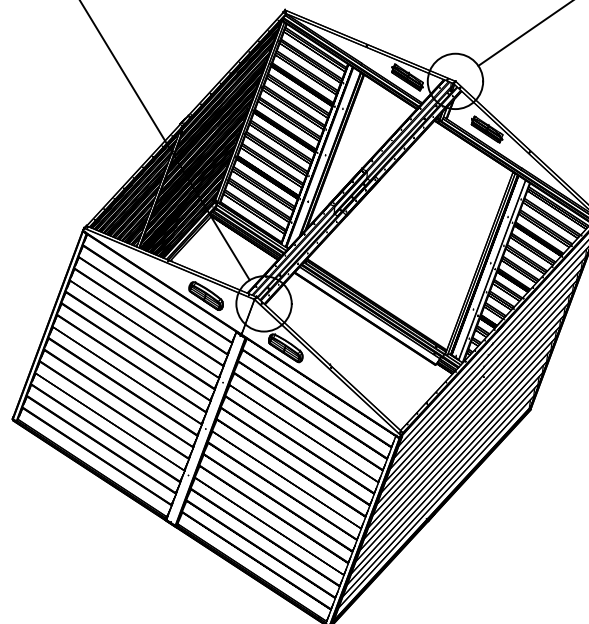
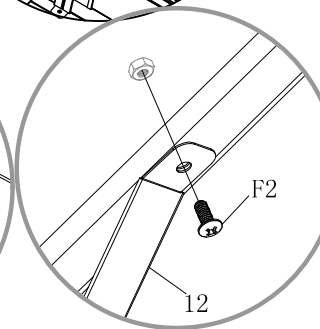
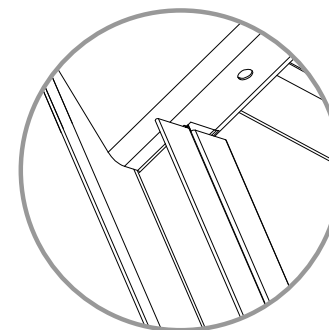
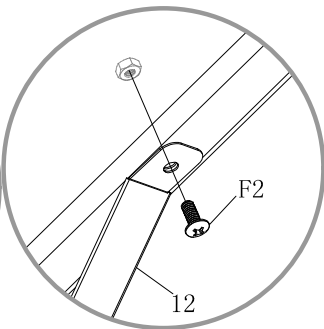
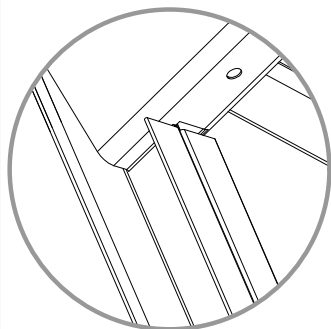
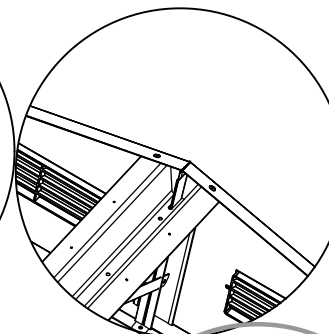
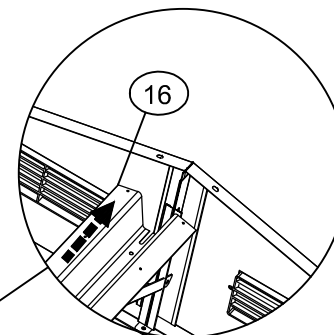
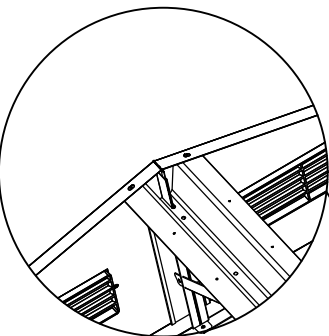
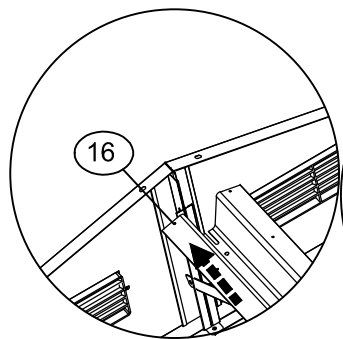
16 x 1

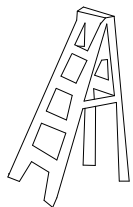
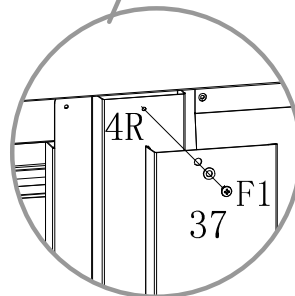
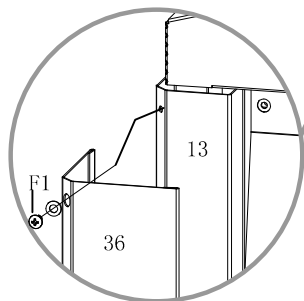
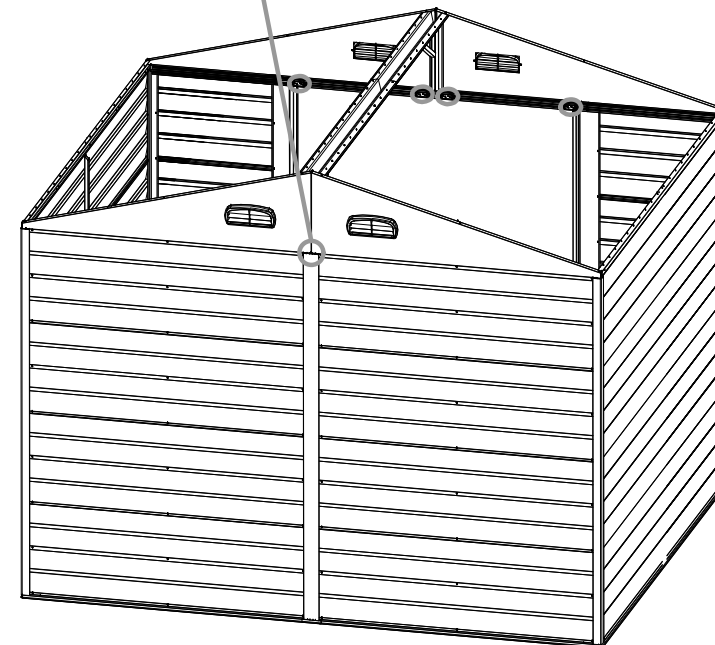
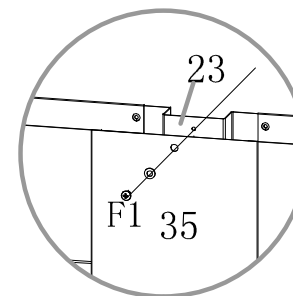
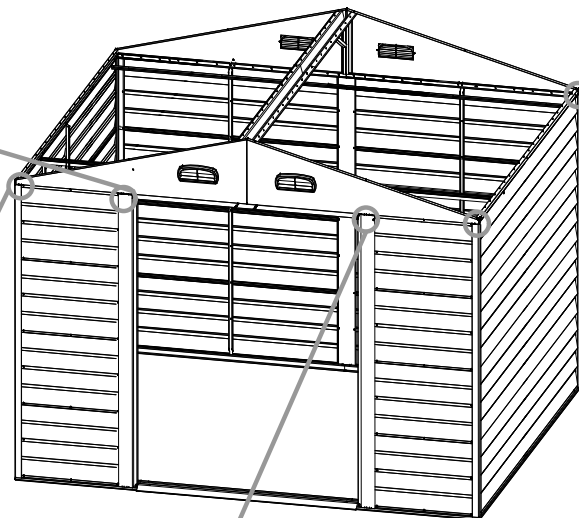
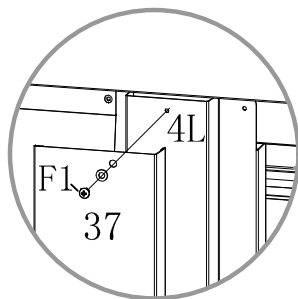
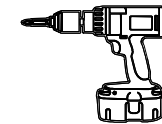
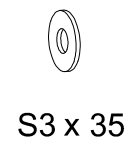
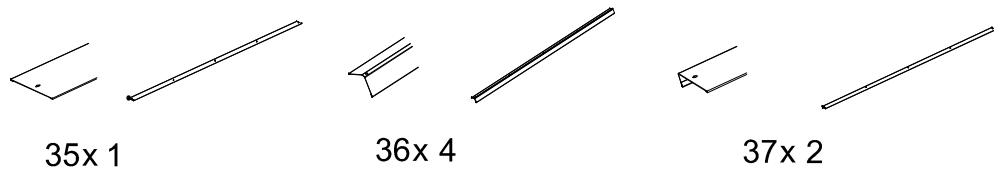


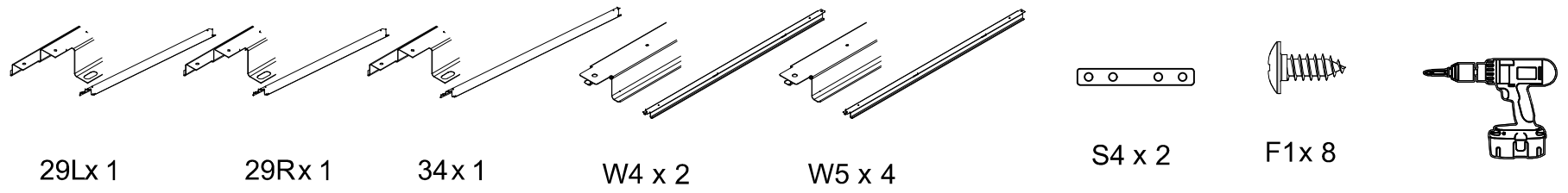
F2x 2



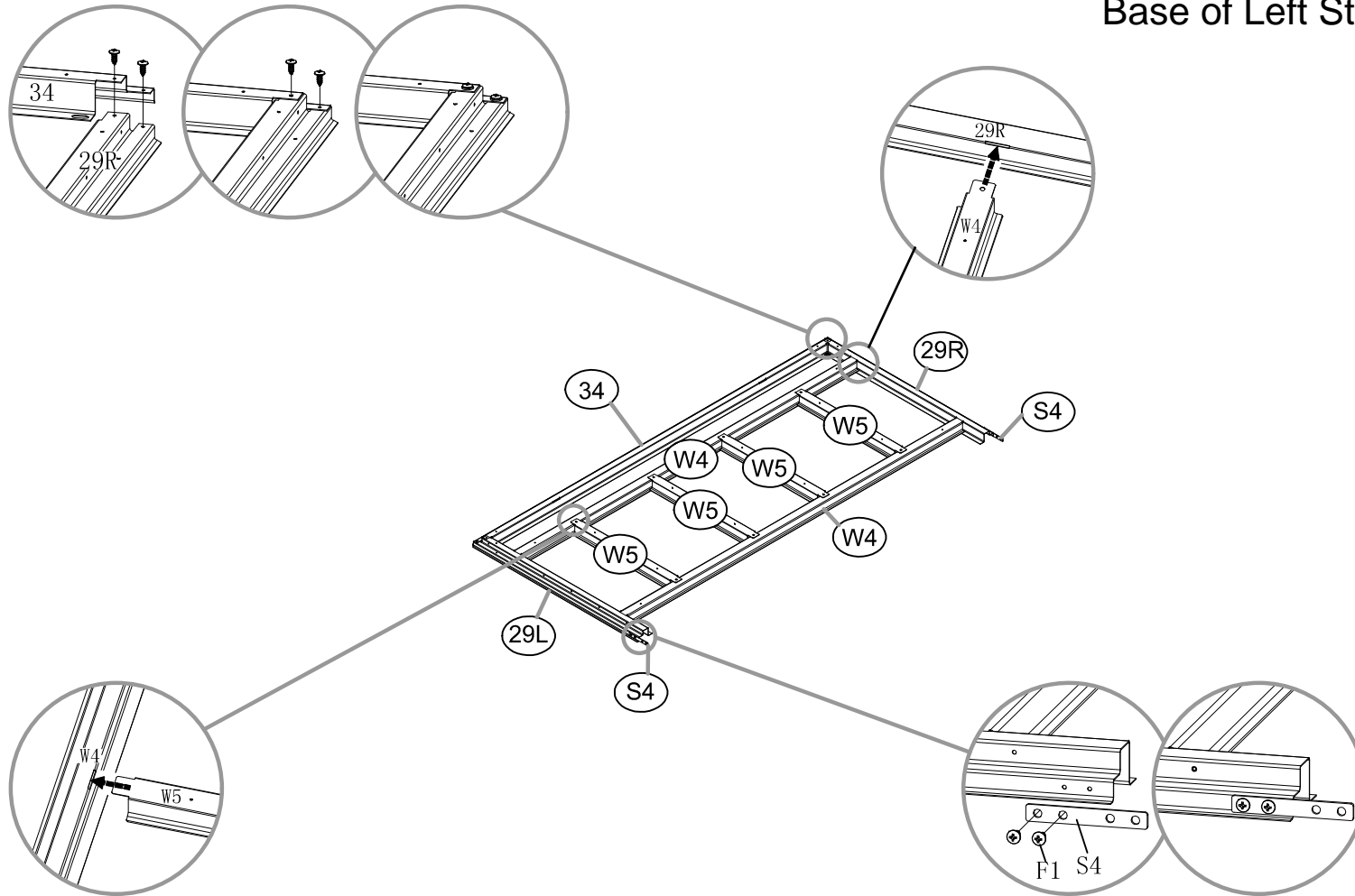
Crossbeam Installation

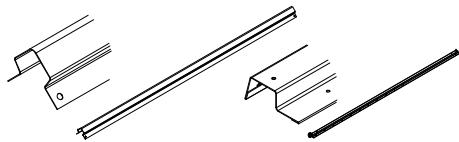






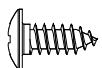
Base of Left Storage Assembly





26 x 2

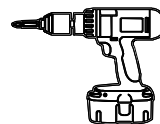
27x 1



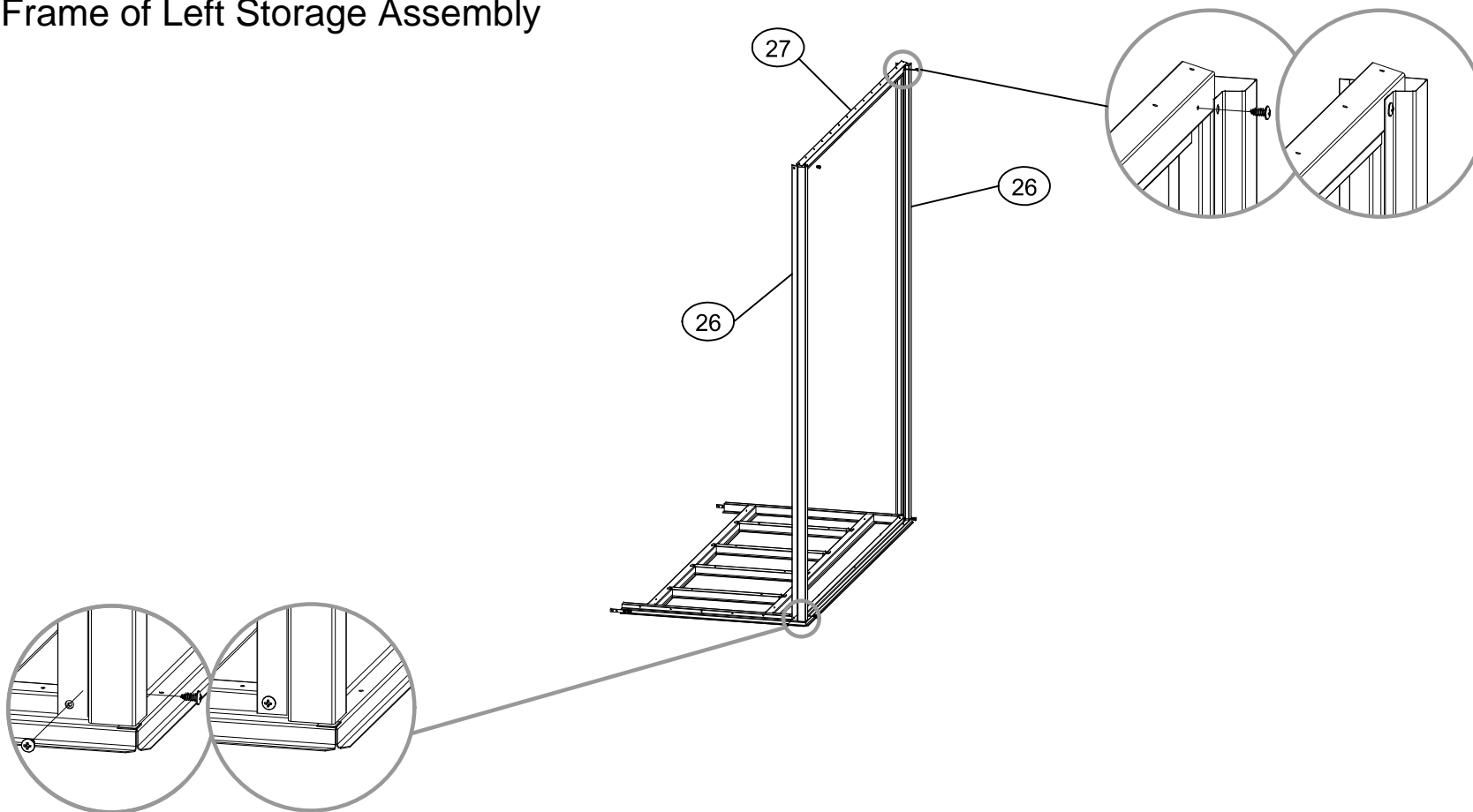
F1x 6

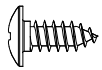


S3 x 6



Frame of Left Storage Assembly

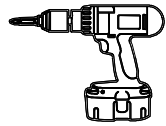




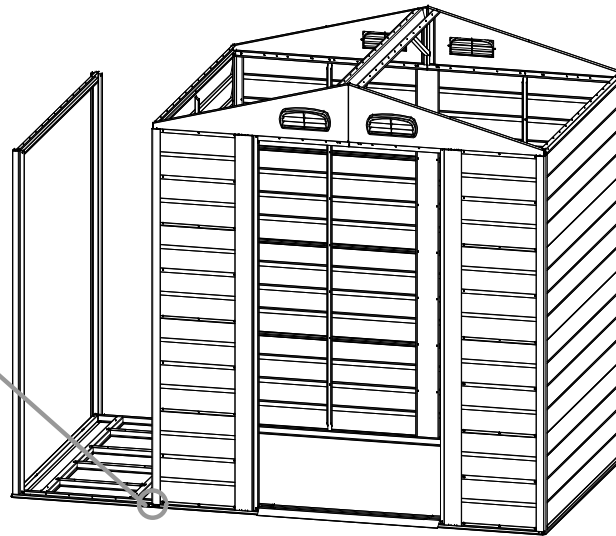
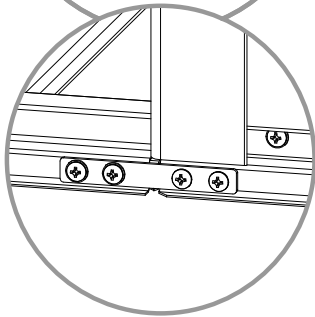
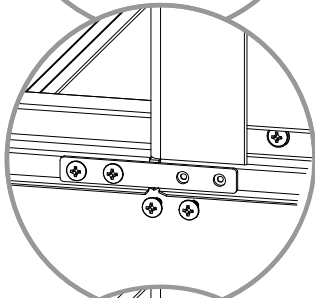
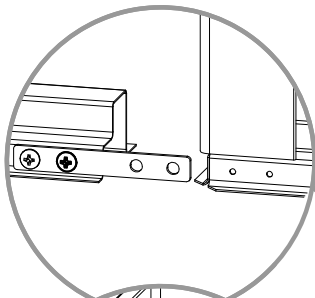
F1x 4



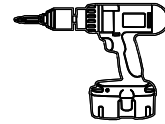
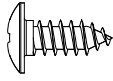
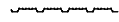
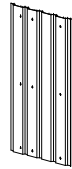
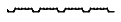
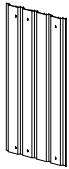
S3 x 4



Connection between L Storage & Main body of the Shed



x2



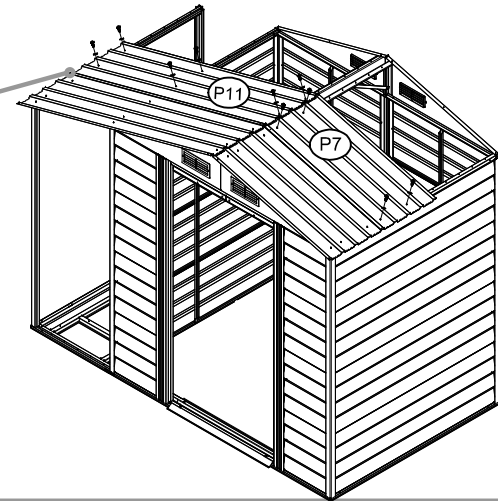
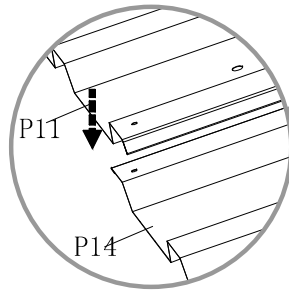
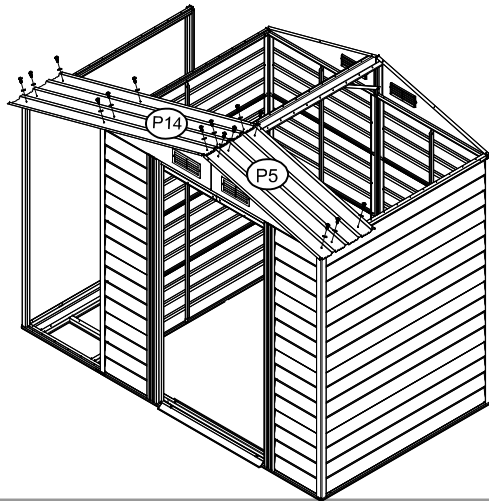
P4&P5&P6&P7 x1

P11&P12&P13&P14 x1

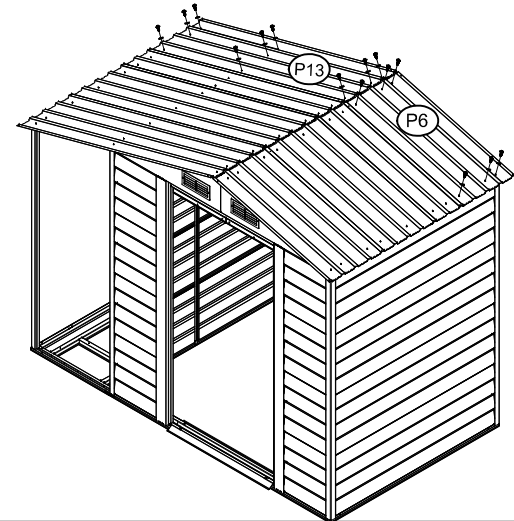
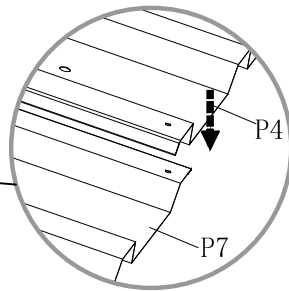
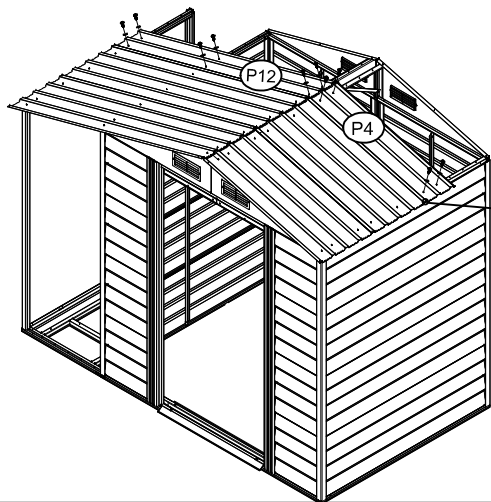
F1 x 50

S3 x 50

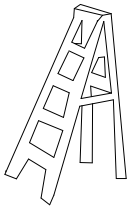
Roof Panels Installation

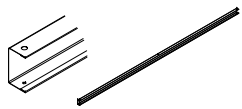


Corrugation edge of P11 Panel should cover the edge of P14 panel.

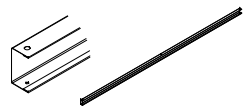


Corrugation edge of P4 Panel should cover the edge of P7 panel.

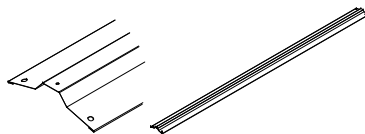




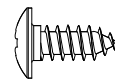
17 x 2



33 x 2



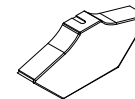
19 x 1



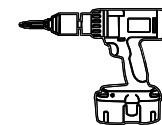
F1 x 10



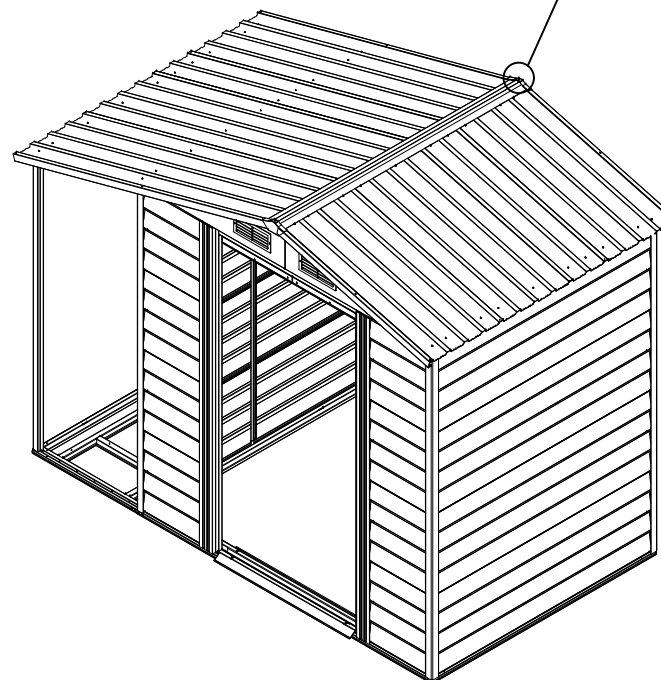
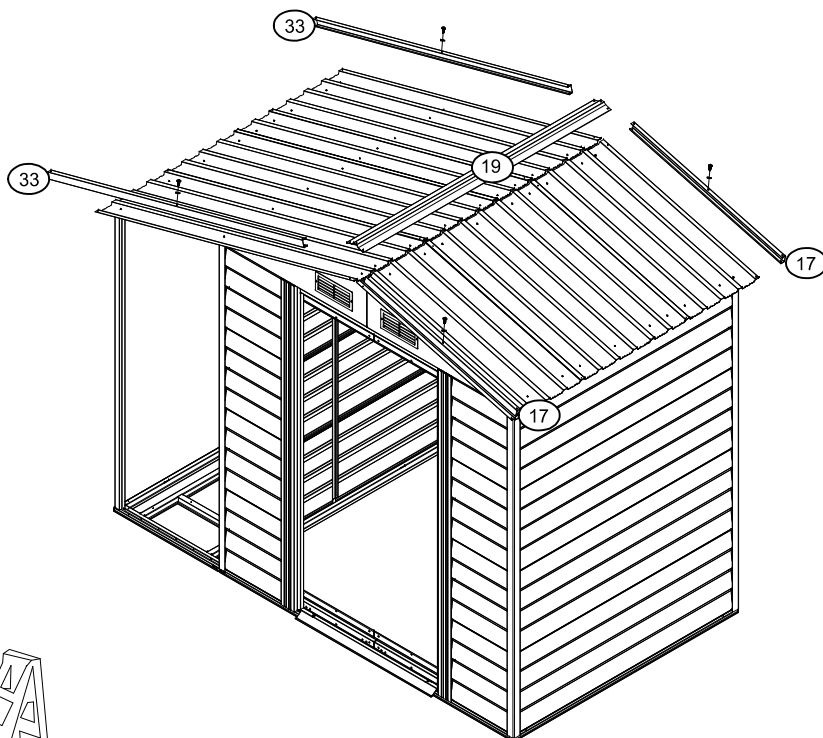
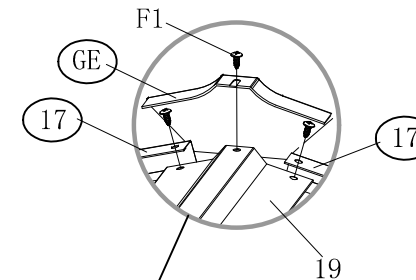
S3 x 4



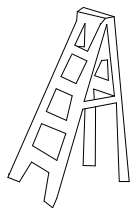
GE x 2



Front/Back eaves and Plastic cover installation

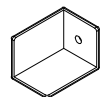


x2

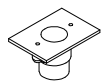




10x2



GCx4



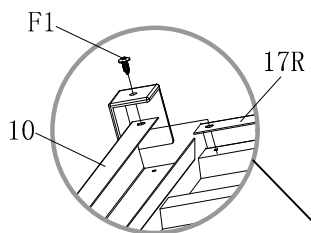
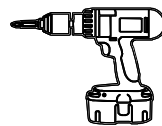
GSx4



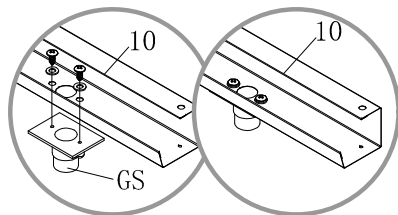
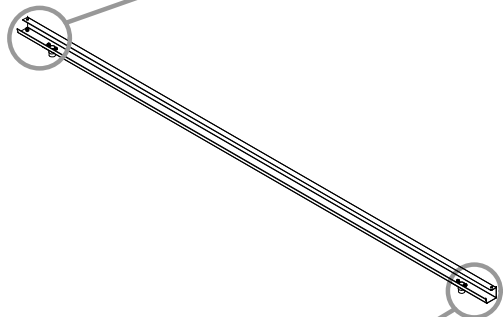
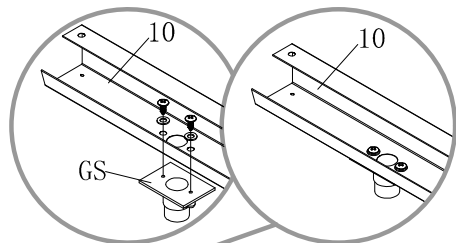
F1x12



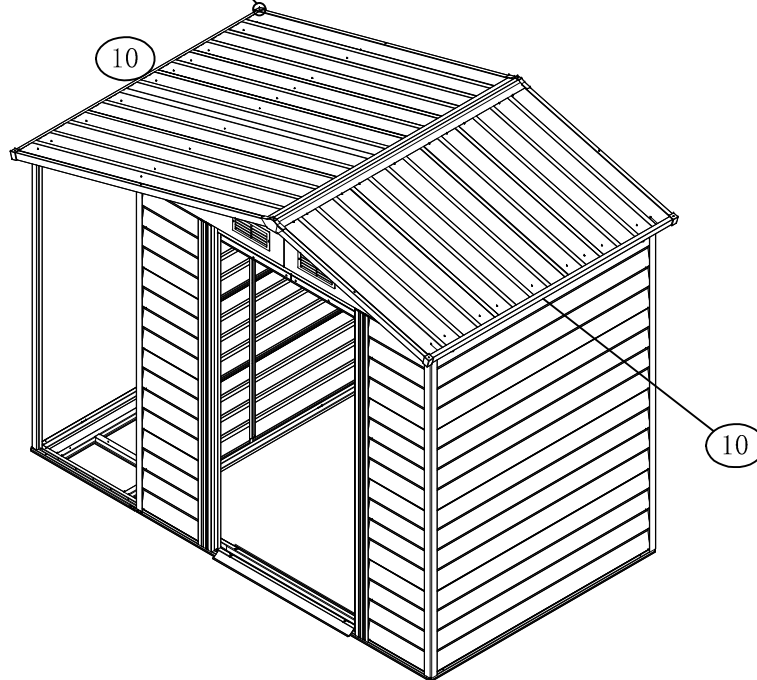
S3x8

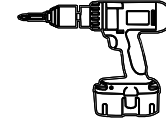
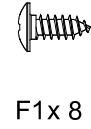
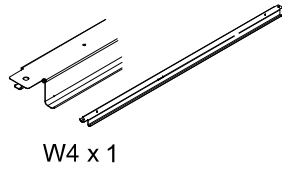
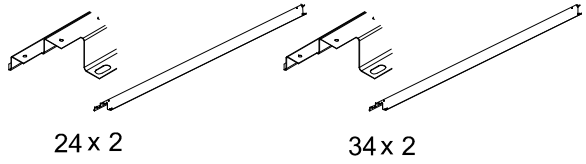


Left/Right eave, water outlets,
plastic connectors installation.



x2





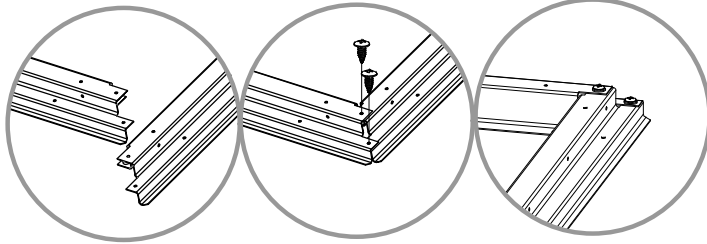
I

II

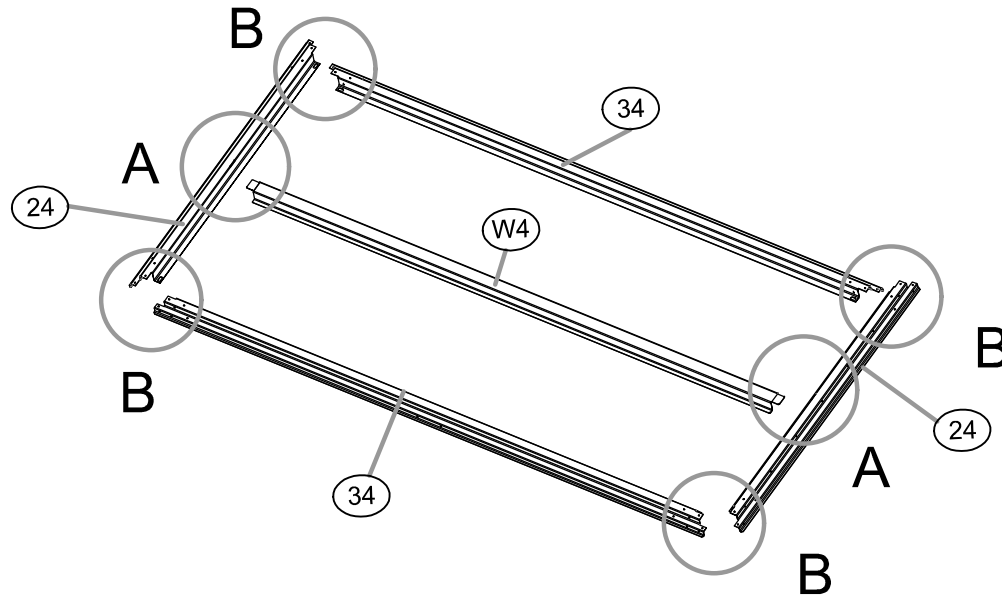
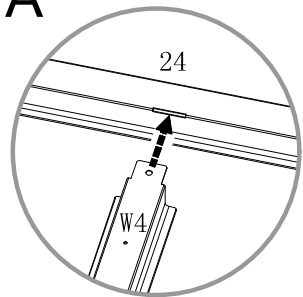
III

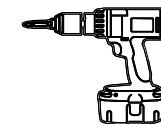
Base of right storage installation

B

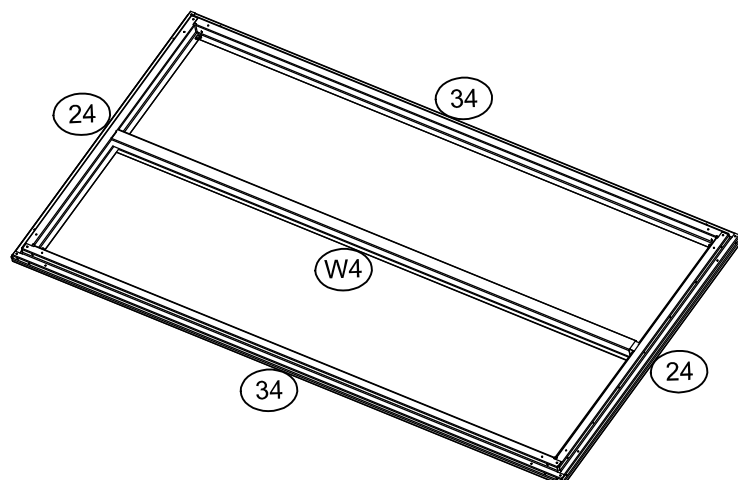


A

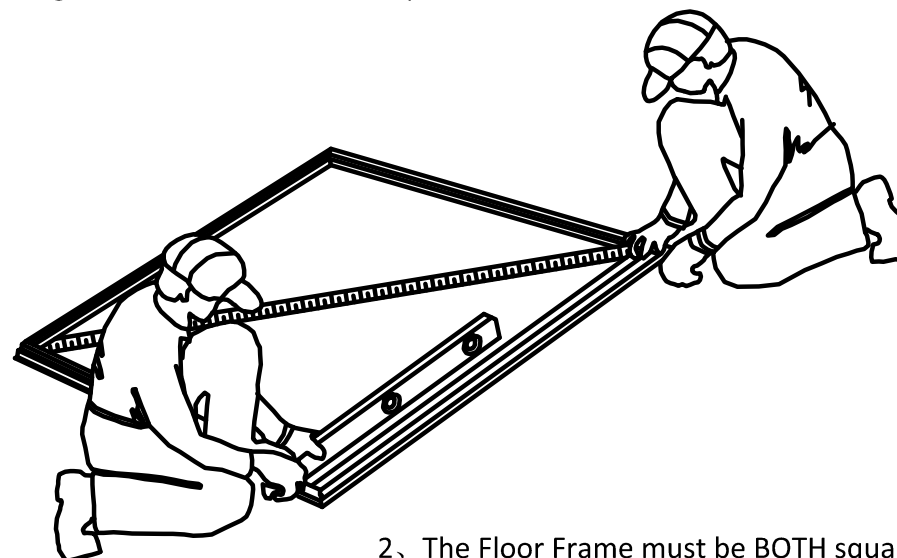




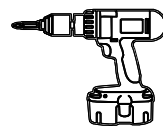
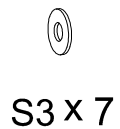
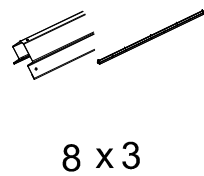
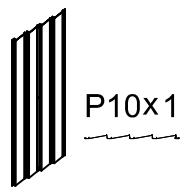
Finishing / Inspection of the base



1. When diagonal measurements are equal, the frame is square.

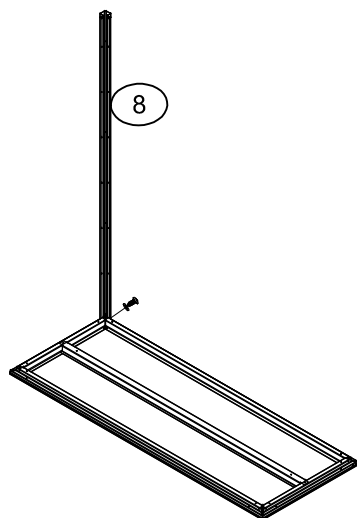


2. The Floor Frame must be BOTH square AND level or the holes will not line up properly.

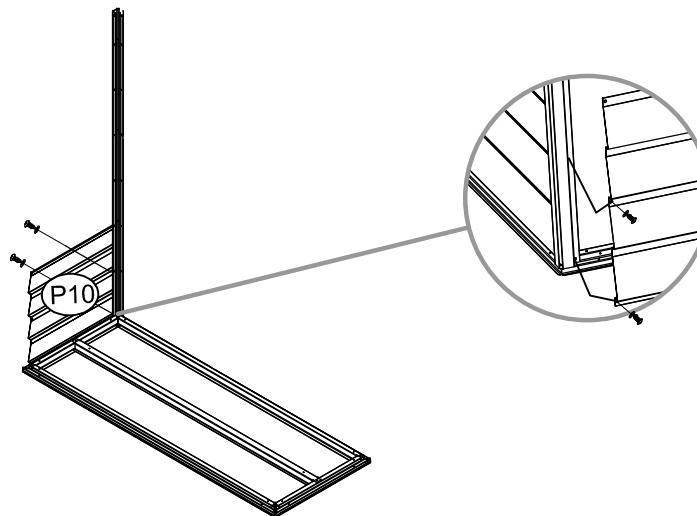


Frame of right storage assembly

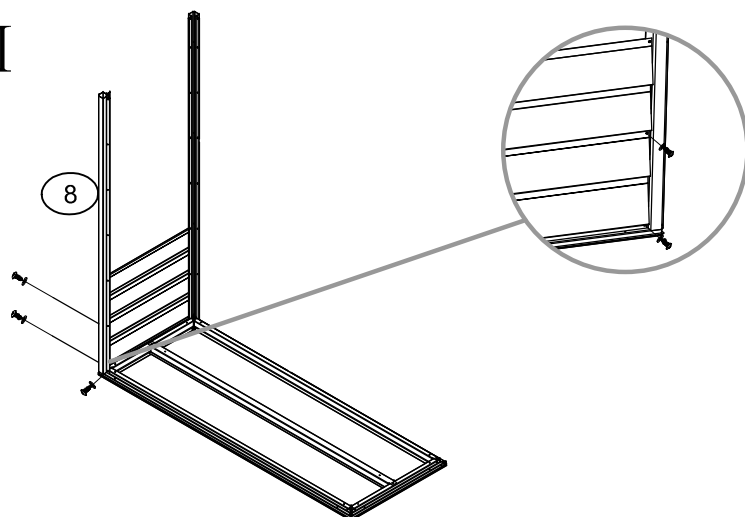
I



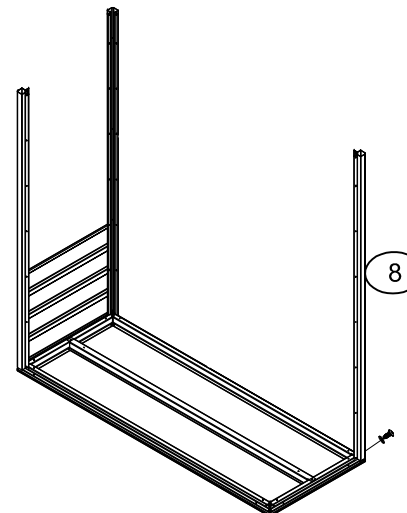
II

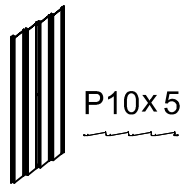


III

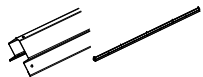


IV

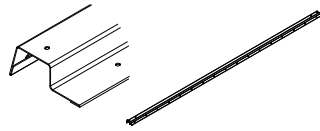




P10x5



8 x 1



9 x 1



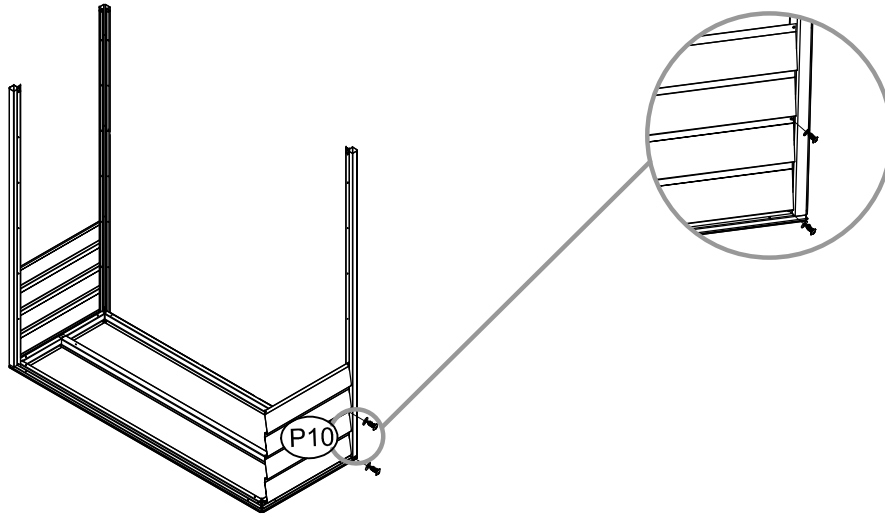
F1x23



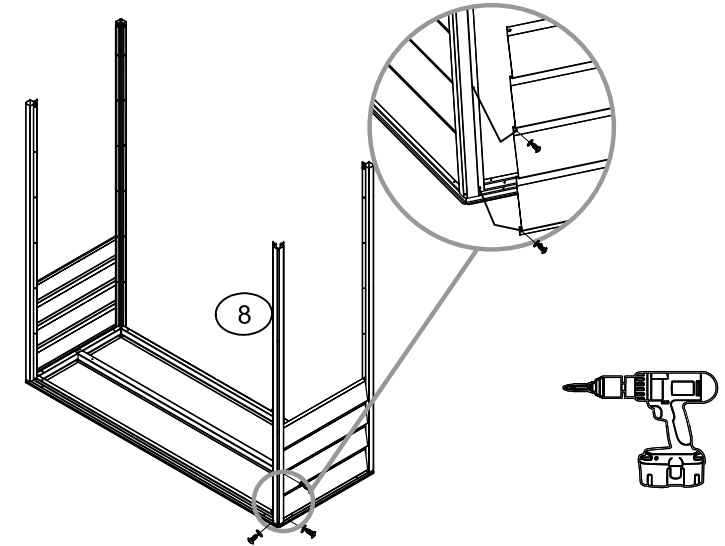
S3x23

Frame of right storage assembly

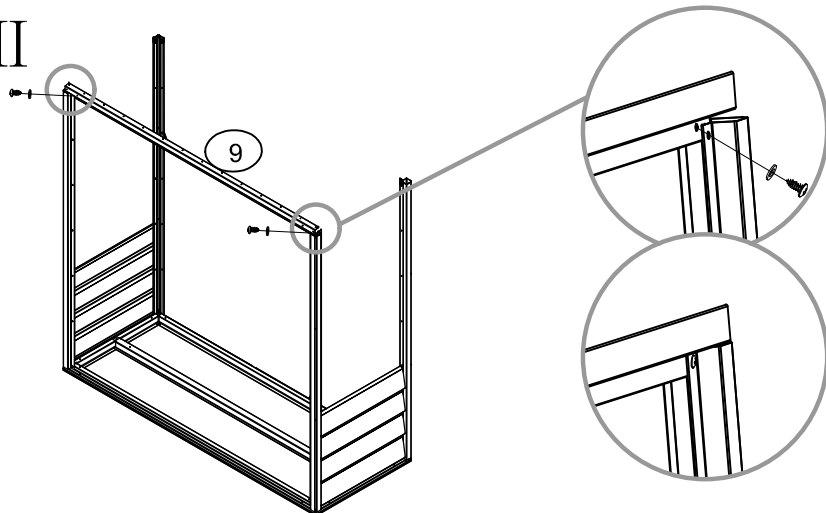
I



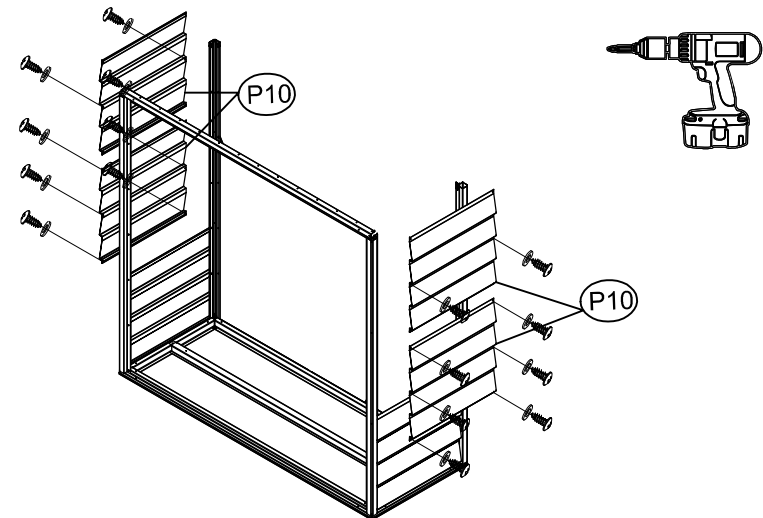
II

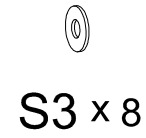
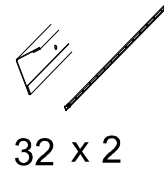
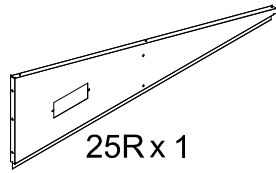
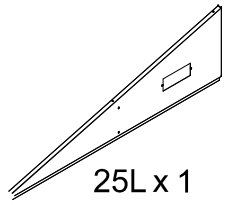


III

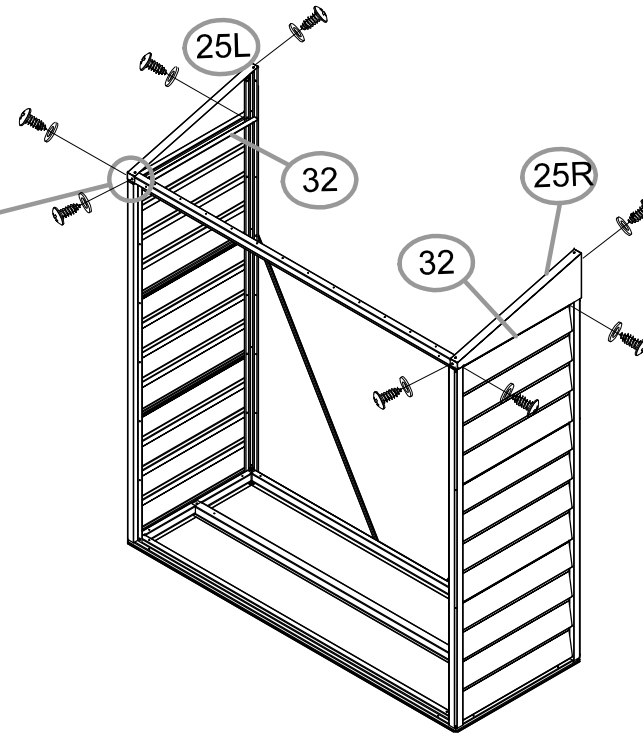
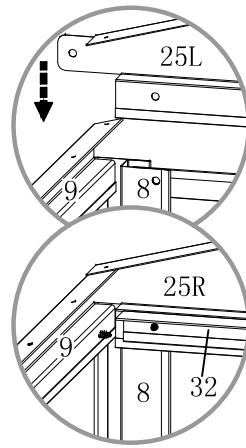
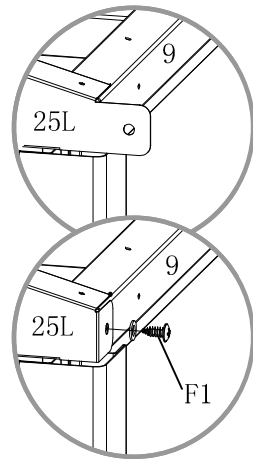
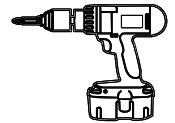


IV



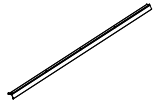


Triangle Panel Installation





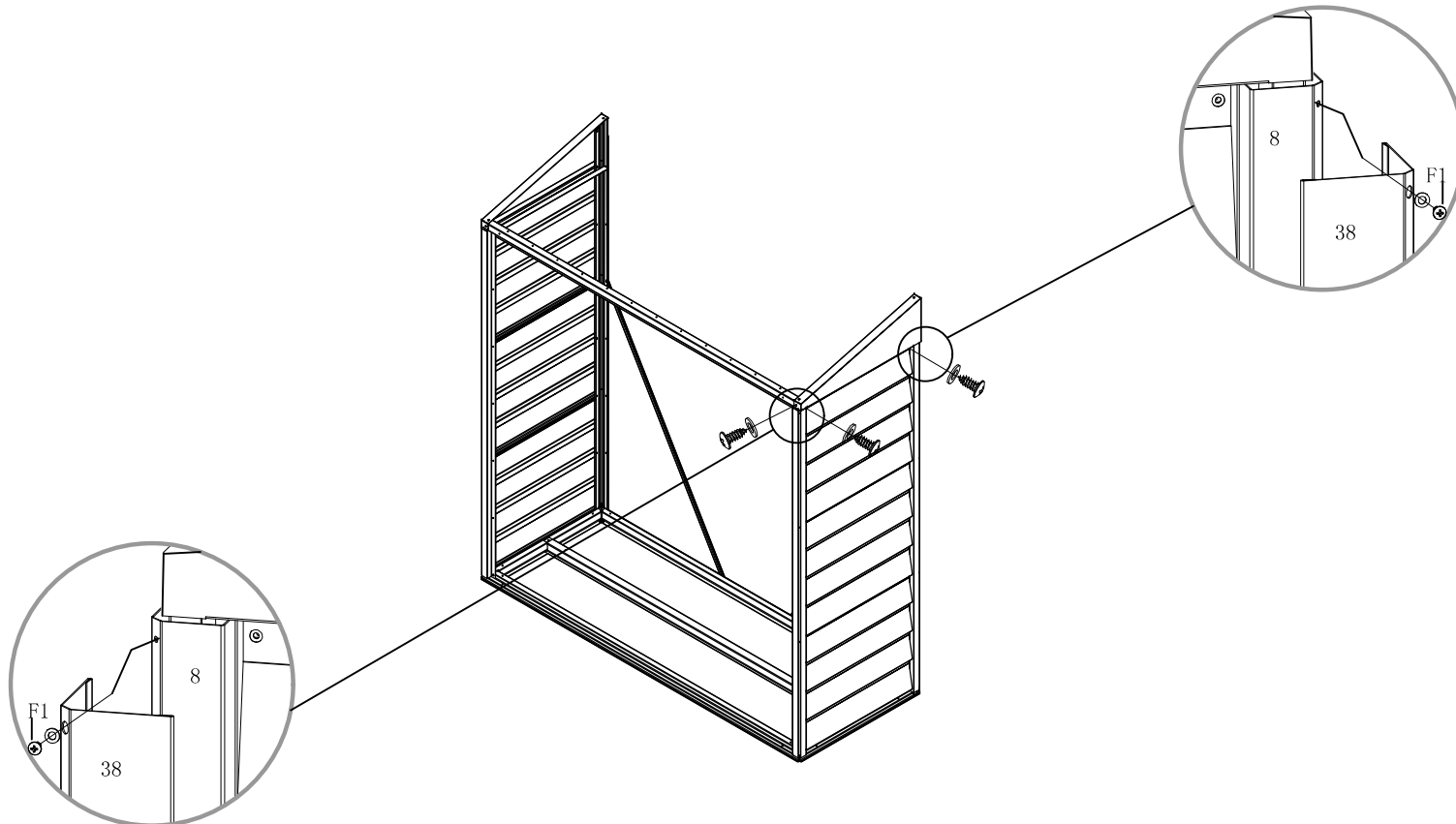
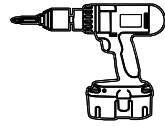
38x 4

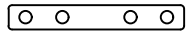


F1x16

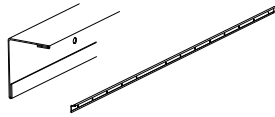


S3 x 16

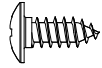




S4 x 2



28x 1

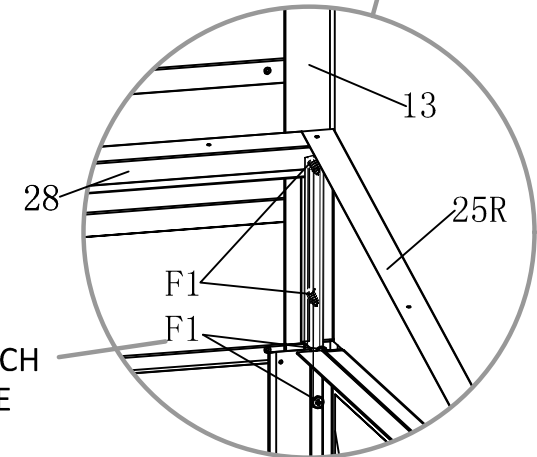
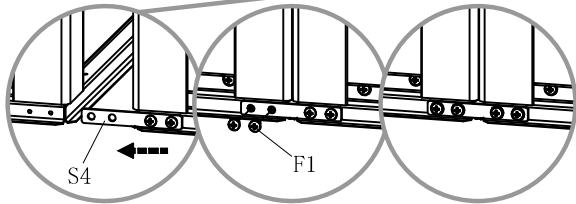
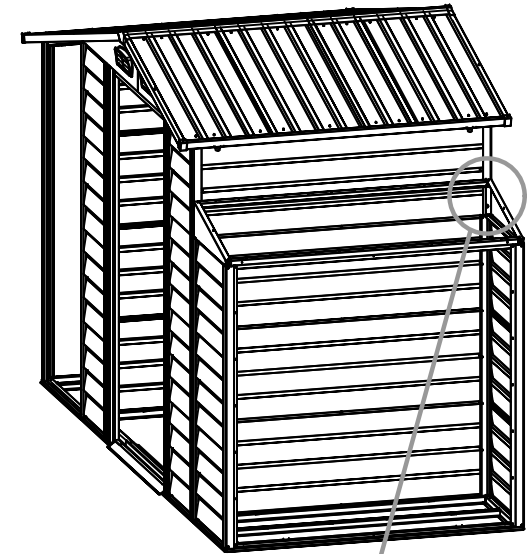
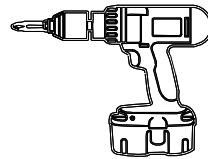
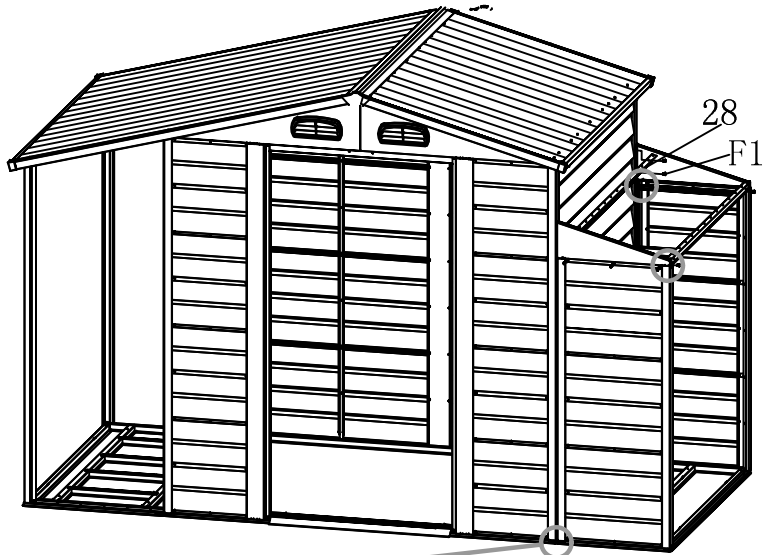


F1x12

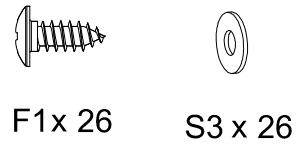
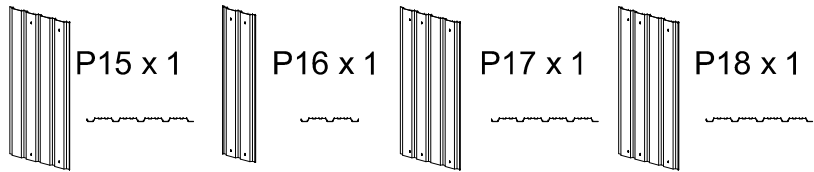


S3 x 6

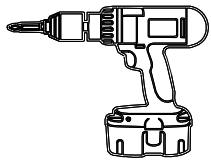
Connection between right storage and main body of the shed



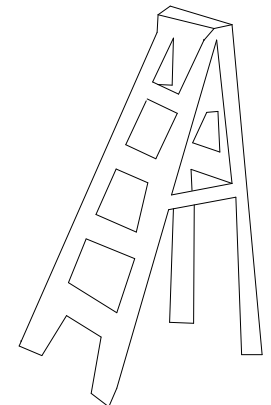
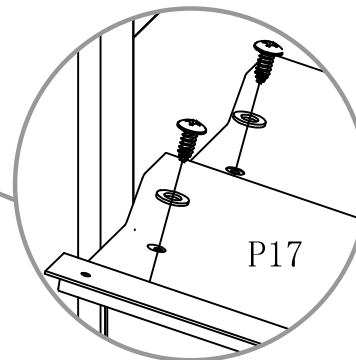
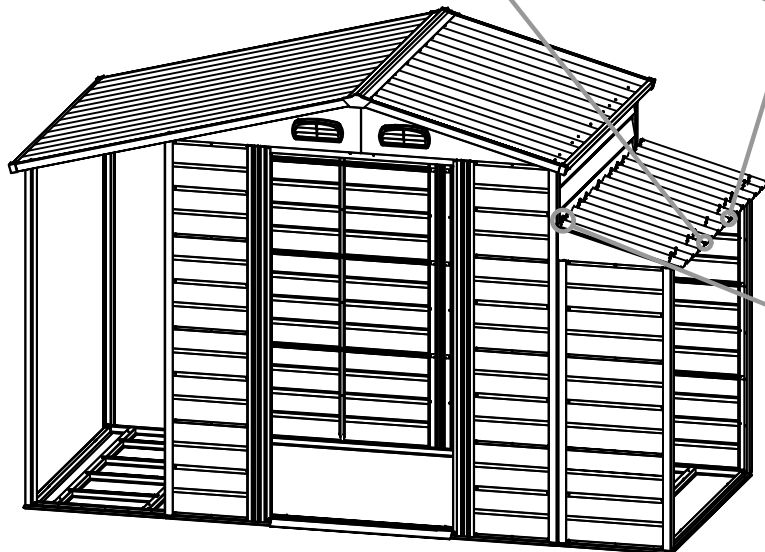
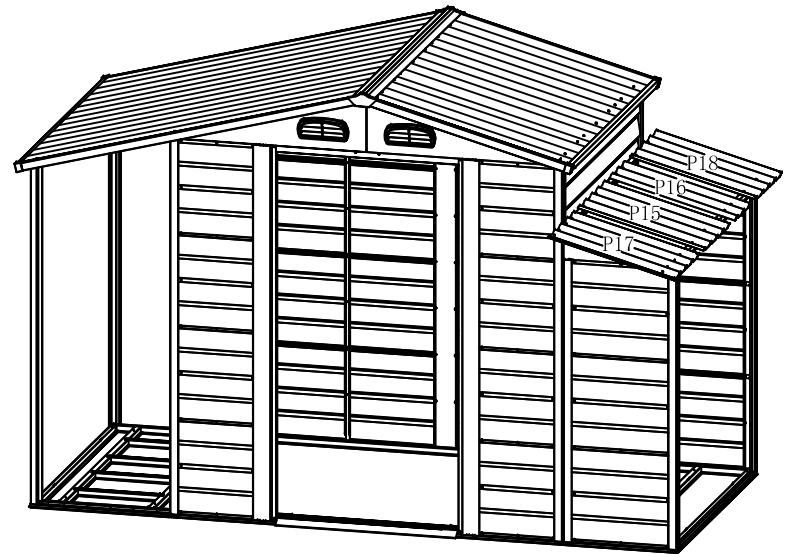
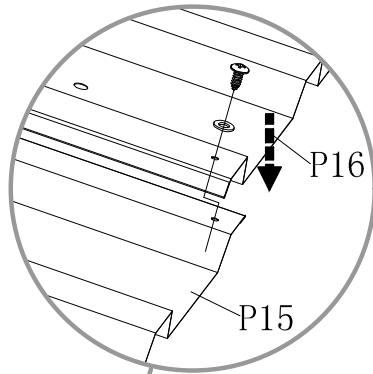
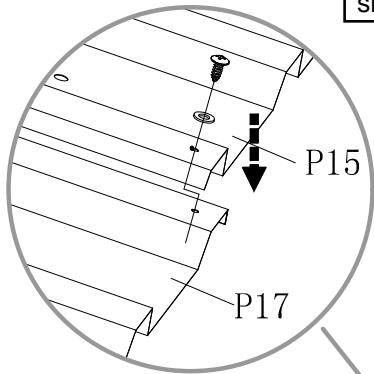
YOU NEED TO PUNCH BY YOURSELF HERE

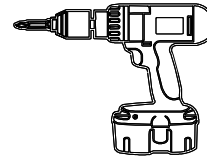
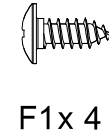
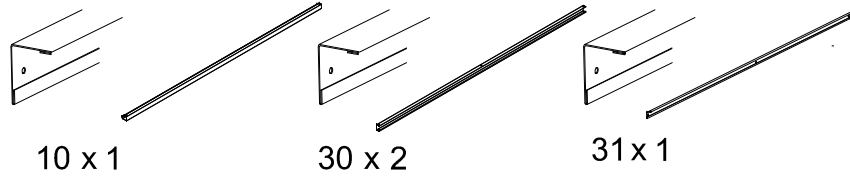


Roof of right storage installation

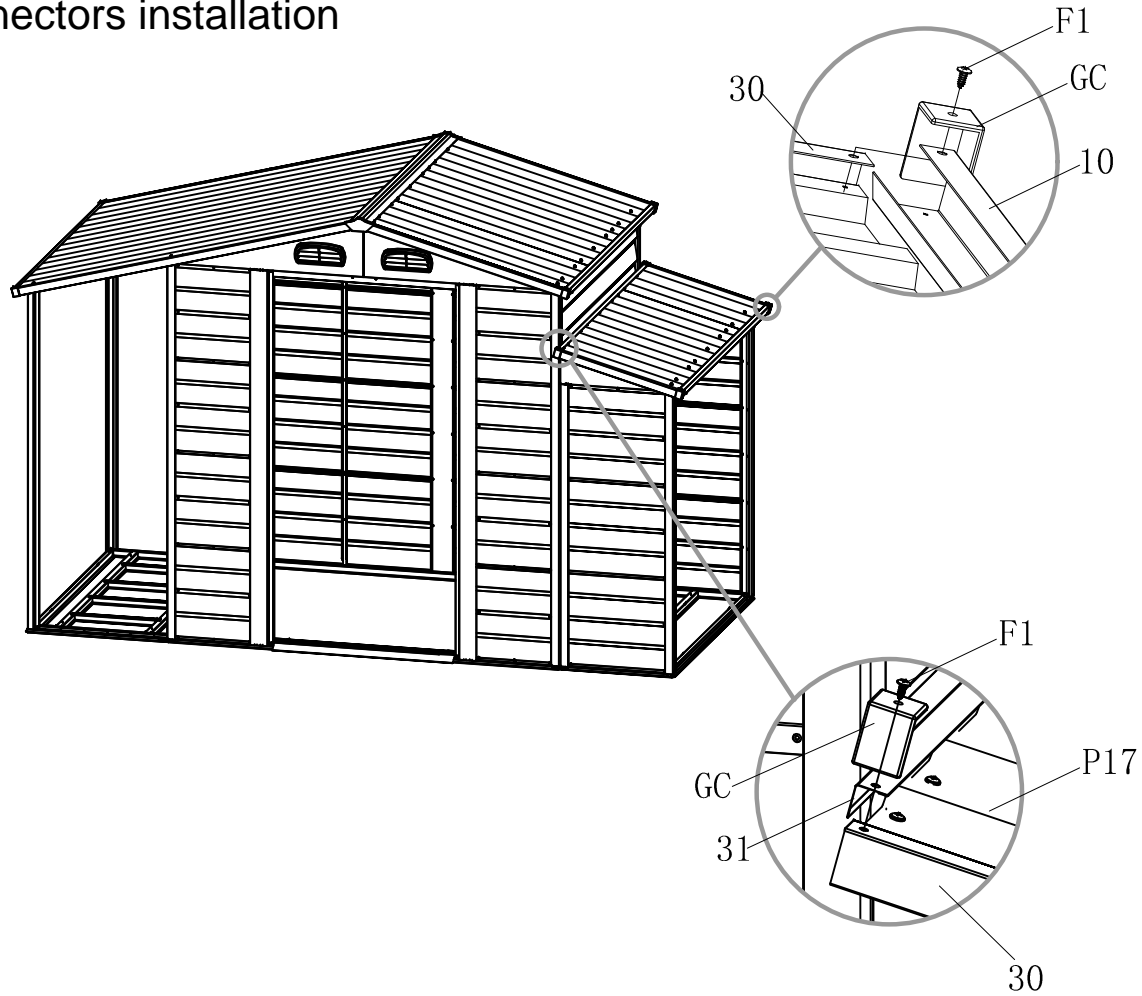


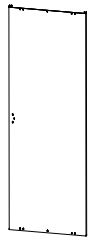
Corrugation of P15 panel should cover the edge of P17, and that of P16 panel should cover P15.



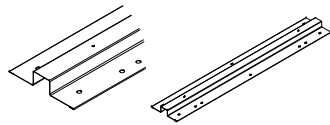


Eave and plastic connectors installation

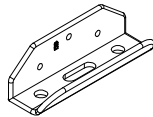




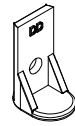
D1&D2 x 1



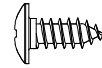
18 x 6



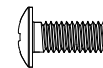
GB x 2



GD x 4



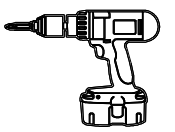
F1 x 12



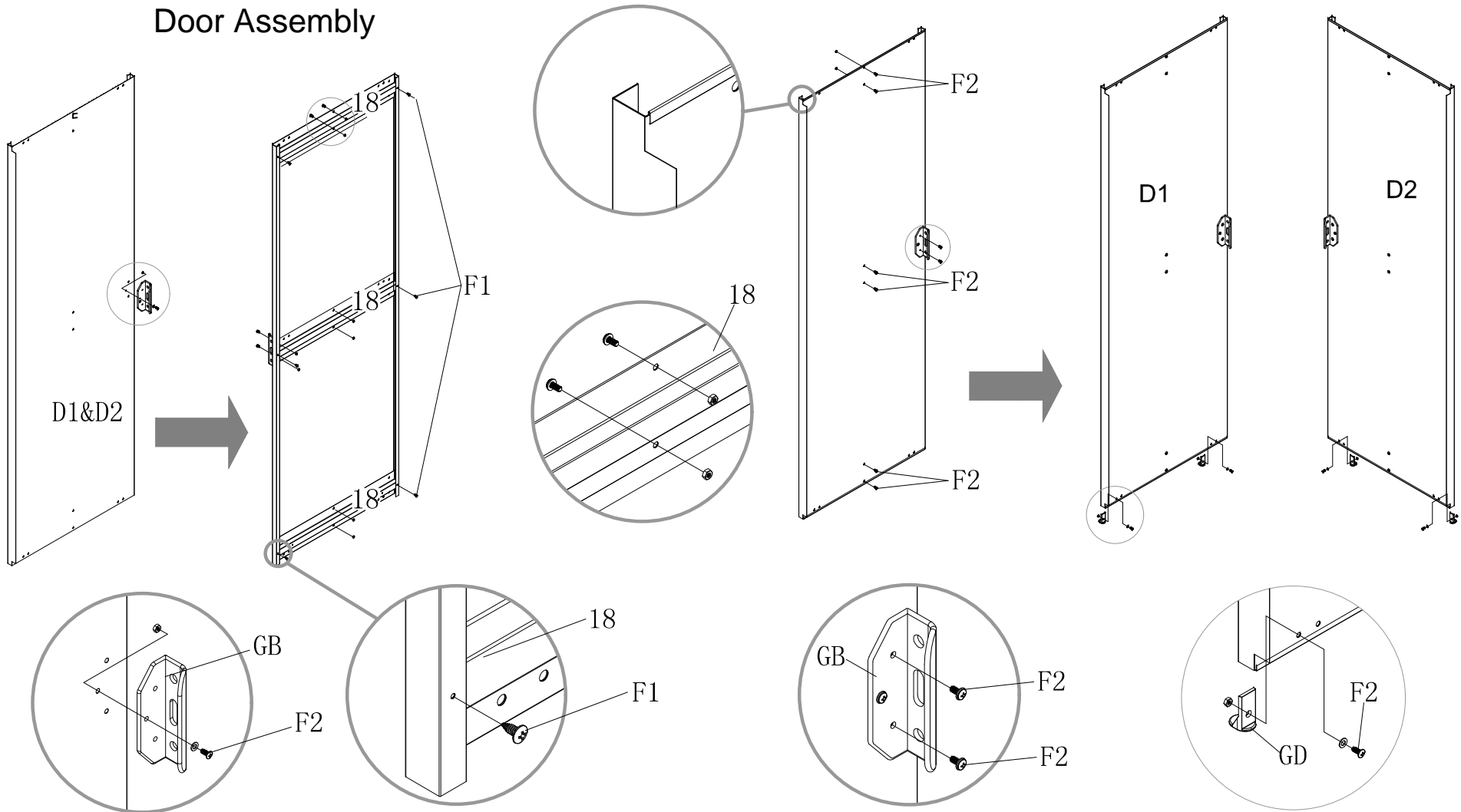
F2 x 22

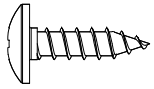


S3 x 34



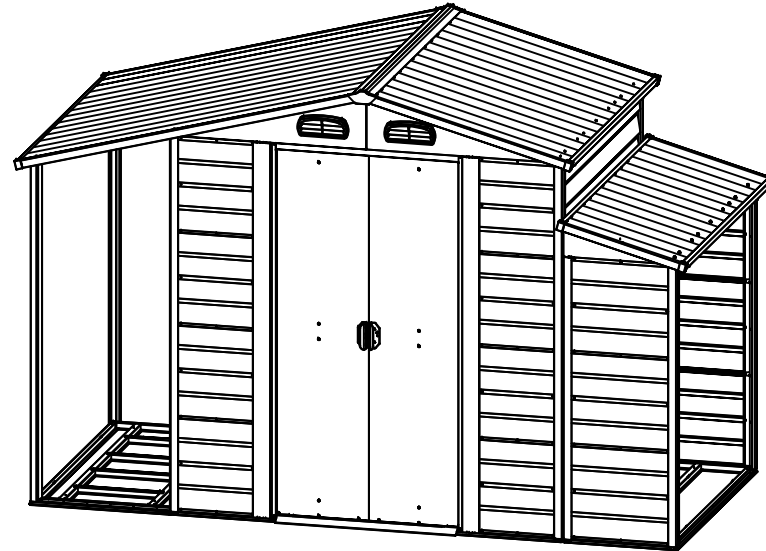
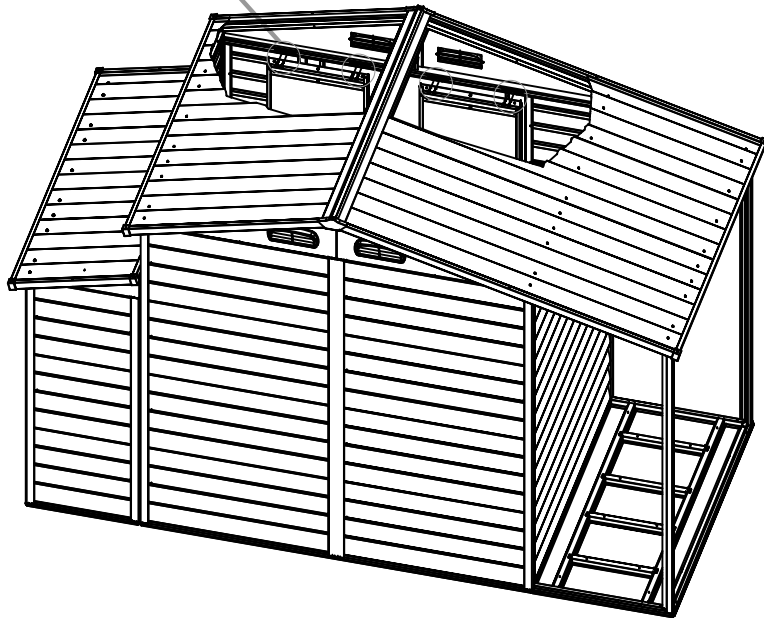
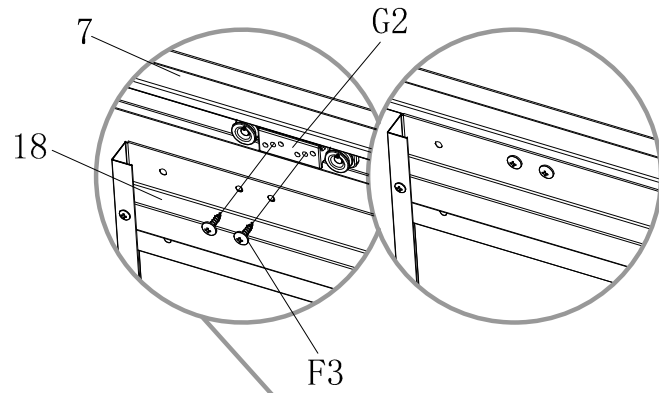
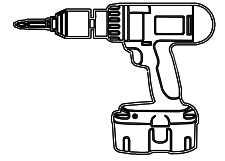
Door Assembly

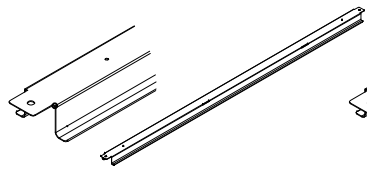




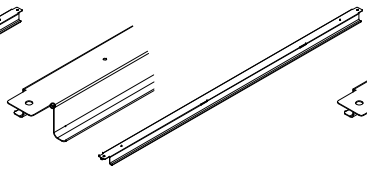
F3x 8

Door Installation

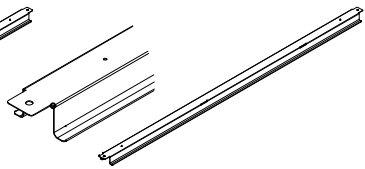




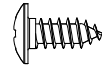
W1 x 2



W2 x 2



W3 x 4



F1 x 2

