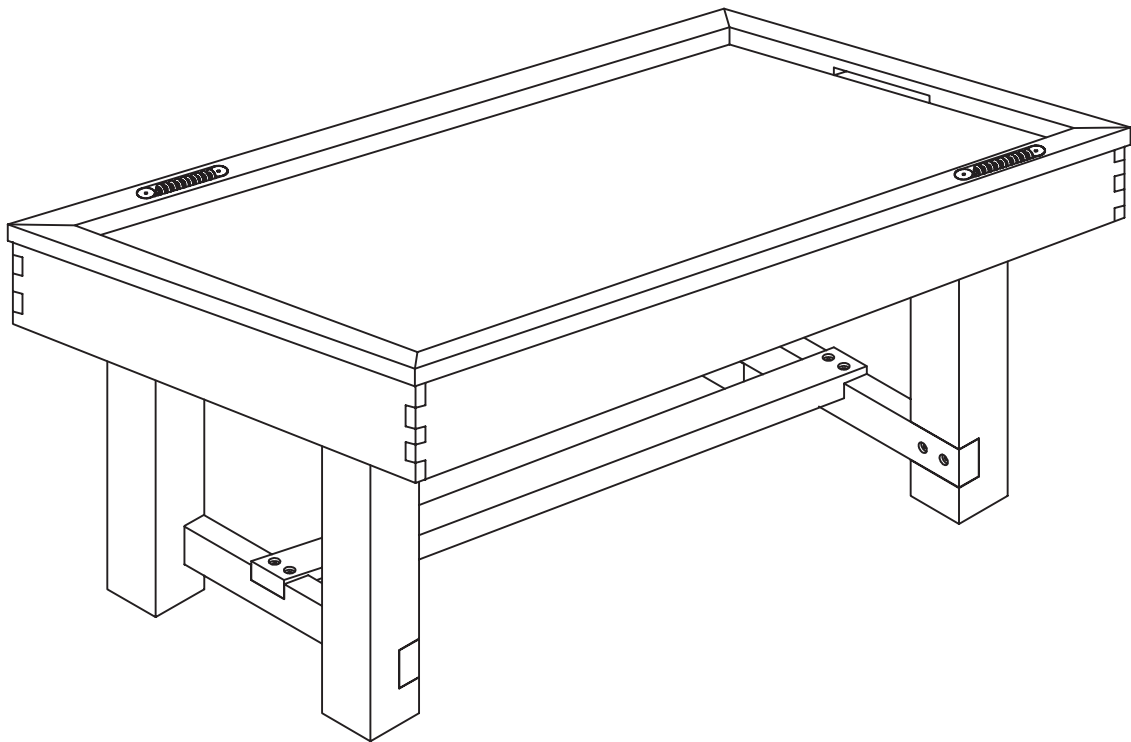


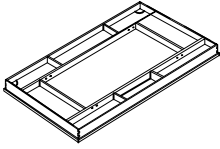


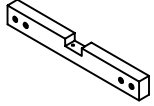
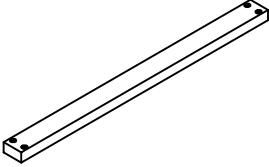
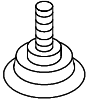
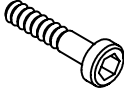
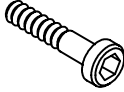


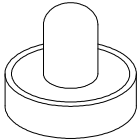
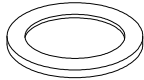

CHAMBERLAIN GAME TABLES

ASSEMBLY INSTRUCTIONS FOR "NASHVILLE NIGHTS" AIR HOCKEY TABLE

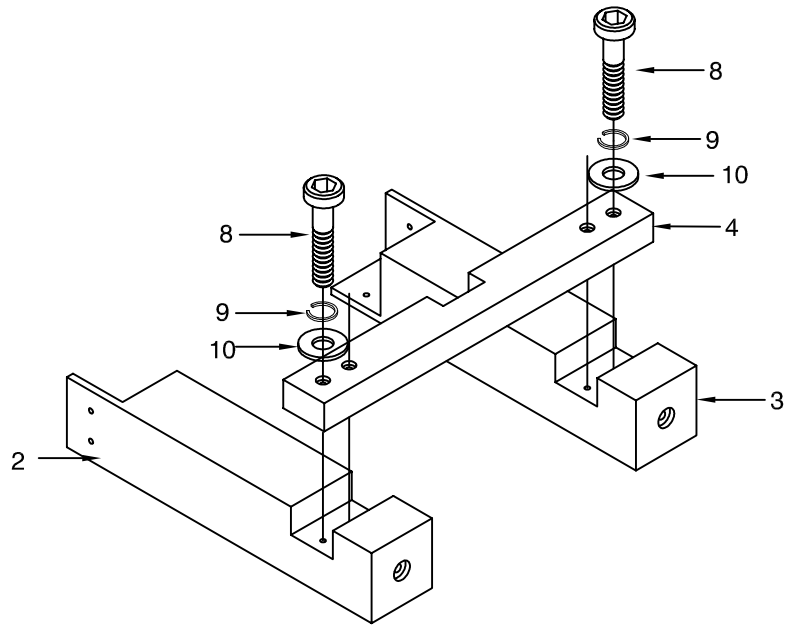


PG-4030

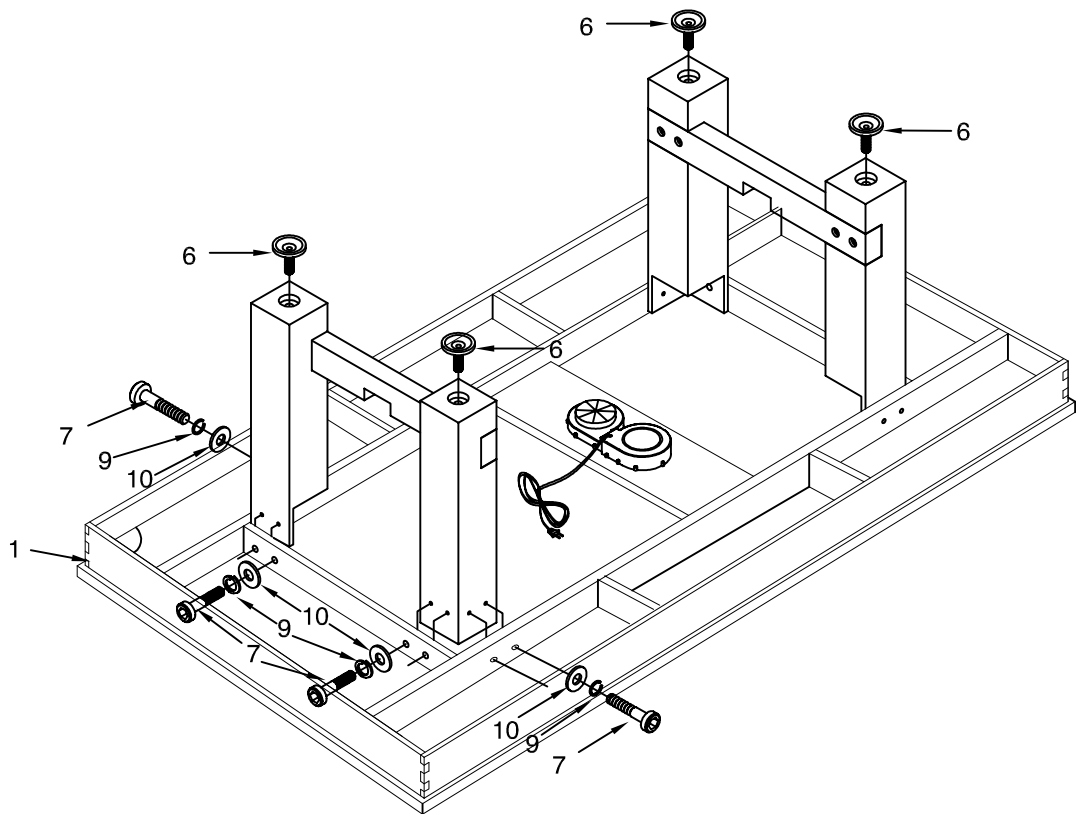
Parts List

| | | | |
|--|--|---|--|
| <p>#1</p>  <p>Main frame 1 piece</p> | <p>#2</p>  <p>Leg (A) 2 pieces</p> | <p>#3</p>  <p>Leg (B) 2 pieces</p> | <p>#4</p>  <p>Leg end panel 2 pieces</p> |
| <p>#5</p>  <p>Side panel 1 piece</p> | <p>#6</p>  <p>Leg leveler 4 pieces</p> | <p>#7</p>  <p>5/16"X1-1/2" Bolt 16 pieces</p> | <p>#8</p>  <p>5/16"X2-1/2" Bolt 12 pieces</p> |
| <p>#9</p>  <p>5/16" Washer 28 pieces</p> | <p>#10</p>  <p>5/16" Washer 28 pieces</p> | <p>#11</p>  <p>Goalie 4 pieces</p> | <p>#12</p>  <p>Round puck 4 pieces</p> |
| <p>#13</p>  <p>Allen key 1 piece</p> | | | |

Step 1:



Step 2:



Step 3:

