

**Customer Service Hotline**  
**1-866-994-6390**

**DO NOT RETURN PRODUCT TO THE STORE**

Before visiting your local retailer, please email [grilling@thefulhamgroup.com](mailto:grilling@thefulhamgroup.com), call 1-866-994-6390, or visit [www.thefulhamgroup.com](http://www.thefulhamgroup.com) to online chat with a representative. To best serve you, our Representatives are available to answer your calls and live chats Monday to Friday, 9 AM - 5 PM EST.

### WARNINGS AND USAGE

---

**IMPORTANT: ALL INSTRUCTIONS AND SAFEGUARDS ON THIS SECTION MUST BE FOLLOWED TO PREVENT DAMAGE AND/OR INJURY.**

**USE CAUTION AND COMMON SENSE WHEN USING YOUR OUTDOOR FIRE PIT. FAILURE TO ADHERE TO THE SAFETY WARNING AND GUIDELINES IN THE MANUAL COULD RESULT IN BODILY INJURY OR PROPERTY DAMAGE. SAVE THIS MANUAL FOR FUTURE REFERENCE.**

### IMPORTANT SAFETY INFORMATION

#### **WARNING:**

- For outdoor use only.
- Use only on level surfaces.
- Use only on brick, concrete, stone or other masonry surfaces.
- Do not use on lawns, wooden decks, artificial wood or asphalt.
- Keep the outdoor fire pit a minimum of 10 ft. away from buildings, structures, any flammable items and vehicles.
- Do not allow children to climb the product.
- Never leave fire pit unattended, especially when children and/or pets are nearby.
- When wood is burned slowly, it produces tar and other organic vapors that combine with expelled moisture to form creosote. The creosote vapors condense on relatively cooler surfaces like the exhaust vents. As a result, creosote residue accumulates on these surfaces. When ignited, this creosote makes an extremely hot fire. To prevent this do a deep clean on the internal components of the fire pit at least twice a year.
- Keep fire pit clean. When ash or creosote has accumulated, it should be cleaned to reduce risk of fire. See Care and Maintenance section.
- The surfaces of the fire pit will get very hot during regular use and can be a burn hazard. Do not leave unattended when children are present and keep away from combustible materials.
- To avoid accidental burns wear heat resistant mitts, use long handled tools, handles, and knobs when operating the fire pit.
- **NEVER** use gasoline, gasoline-type lantern fuel, kerosene, charcoal lighter fluid, or similar liquids to start or “freshen up” a fire in this appliance. Keep all such liquids well away from the appliance when in use.
- Never attempt to touch or move the fire pit during use or before it has completely cooled down.
- After a period of storage, inspect the fire pit for abrasion, wear or damage.
- Before covering your fire pit, make sure it has cooled completely.
- Do not operate this fire pit while under the influence of drugs, alcohol, or while fatigued.
- Do not use this fire pit unless it is completely assembled, and all parts are securely fastened and tightened.
- Never use under low hanging tree branches, trellises or overhangs of any kind including covered porches.
- Always use fire pit in accordance with all applicable local, state, and national codes. Contact your local fire department for details.
- When using the fire pit, exercise the same precautions you would with any open fire.
- Do not use fire pit until you have read the operating instructions and user warnings
- Fire pit is designed for use with standard firewood logs and may not function properly with other fuel sources.
- Do not store or use gasoline or any other flammable vapors or liquids in the vicinity of the fire pit.
- Do not store LP gas cylinders within 30 ft of fire pit while in use.
- Do not use fire pits near automobiles, trucks, vans, or recreational vehicles.

## SAFETY INFORMATION

- Keep the area around the fire pit clear and free of any combustible materials, gasoline, or any other flammable liquids. Do not use fire pit in an explosive environment.
- Do not wear flammable or loose clothing when operating the fire pit.
- Do not remove any coals or ash or clean the fire pit until the coals and ash are completely extinguished and the unit has completely cooled.
- Do not lean over fire pit when lighting or when in use.
- Avoid breathing smoke from the fire and avoid getting smoke in your eyes.
- Do not use water to extinguish the fire as it could cause damage to the fire pit as well as injury to the user.
- Serious injury, death, and/or property damage may occur if the above instructions are not followed exactly.

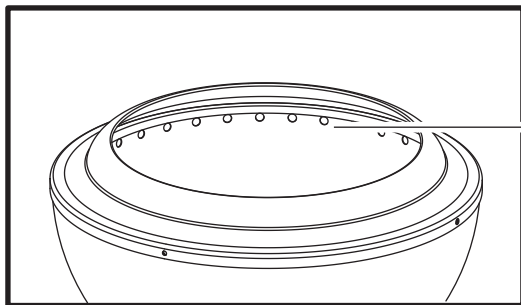
### CALIFORNIA PROPOSITION 65 WARNING

- **Fuels used in wood or charcoal burning appliances, and the products of combustion of such fuels, can expose you to chemicals including carbon black, which is known to the State of California to cause cancer, and carbon monoxide, which is known to the State of California to cause birth defects or other reproductive harm. For more information go to: [www.P65Warnings.ca.gov](http://www.P65Warnings.ca.gov)**

### GENERAL WARNINGS



- Never use gasoline, alcohol or volatile fluids to start or restart fires.
- For longer product life, keep fires to a respectable size, do not overload.
- The outdoor fire pit is for adult use only.
- Before each use make sure the outdoor fire pit is in good working condition.
- Do not leave unattended at anytime during use.
- Do not use in windy conditions.
- Do not load the wood above the ventilation holes at the top of the fire bowl.



Ventilation Holes

- Use caution when tending the fire, as surfaces will become very hot while in use.
- Keep the wind guard in place while using as a fire pit.
- Use heat resistant gloves to remove the wind guard. The wind guard will become very hot.
- Use caution when removing the wind guard, as hot steam or a flare up could cause burns.
- Use caution after the fire has been extinguished. Surfaces will remain hot for some time.
- The outdoor fire pit must be completely cooled off and all embers must be extinguished before any cover can be used.
- **CARBON MONOXIDE HAZARD!** Burning wood or charcoal produces carbon monoxide, which has no odor and can cause death if burned in enclosed areas. Never burn wood or charcoal inside homes, vehicles, tents or any other enclosed areas.

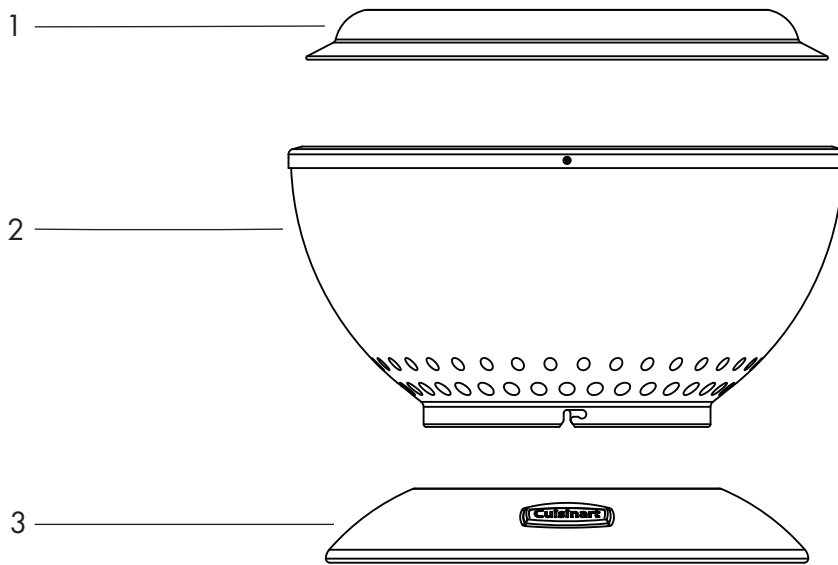
# TABLE OF CONTENTS

Cover Page.....	1
Safety Information.....	2
Table of Contents.....	4
Exploded View.....	5
What's in the Box.....	5
Assembly Instructions.....	6
Operation.....	7
Care and Maintenance.....	7
Warranty and Replacement Parts.....	7

## EXPLODED VIEW


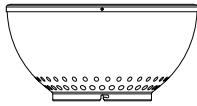

Carefully remove all pieces from the carton and make sure that you have all parts listed (refer to components list). If you are missing parts, please contact 1-866-994-6390 for further assistance.

Use caution when removing the parts from packaging. It is recommended to wear gloves when assembling and handling loose parts.



## WHAT'S IN THE BOX

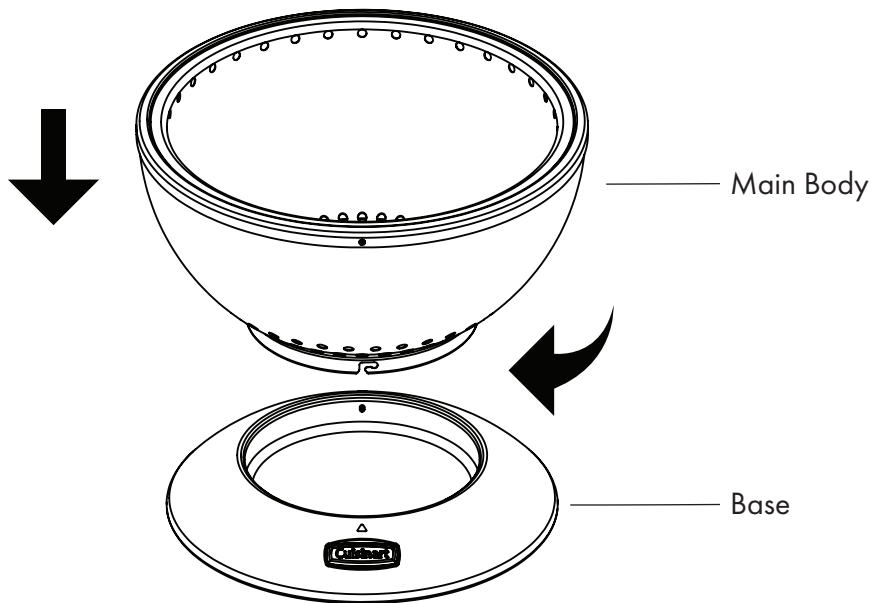
### COMPONENTS

PART	DESCRIPTION		QTY
1	Wind Guard		(x1)
2	Main Body		(x1)
3	Base		(x1)

## ASSEMBLY INSTRUCTIONS

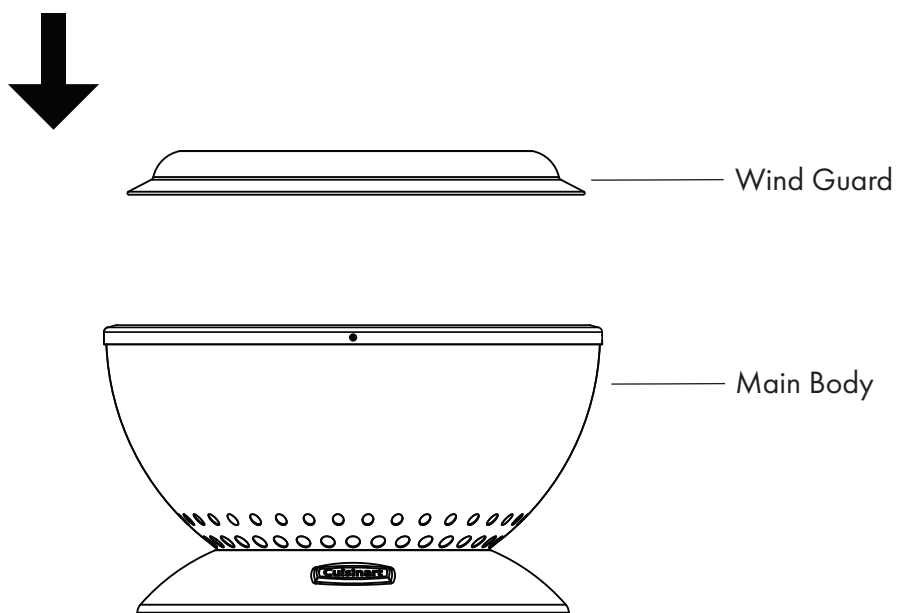
### STEP 1

- Lower the main body (2) on top of the base (3) and line the small gap up with the arrow on the base.
- Once the main body is attached to the base, rotate slightly in a clockwise direction to lock into place.



### STEP 2

- Place the wind guard (1) on top of the main body (2) as illustrated below.



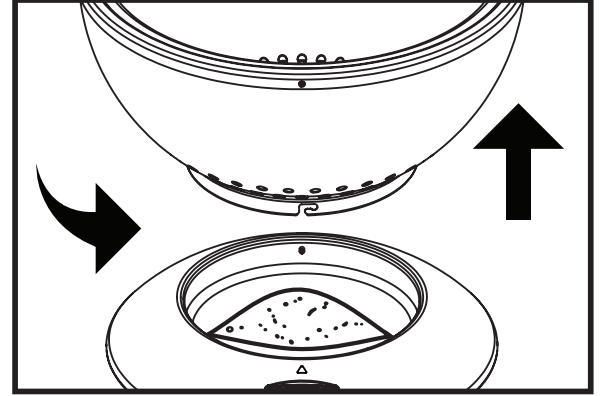
## OPERATION

### ADDING FUEL

- Place fire pit on level ground away from wind. Place two logs on the bottom of the base, then add three more logs in a cross pattern on top of them. Always use dry wood when possible. Wet wood will take longer to burn and will produce more smoke. Use paper or firestarter under the kindling and light with a match. The capacity of the fire pit is one pound logs or smaller.
- Overfilling the fire pit above the top air holes will decrease efficiency and will produce more smoke.

### REMOVING ASH

- Once the fire has extinguished and the unit has fully cooled, brush any remaining ash through the holes in the bottom plate of the main body so that it falls through and into the base.
- Remove the main body from base so that you can easily dispose of the ash from the base. To remove the main body, rotate slightly in an anti-clockwise direction, and lift upwards.



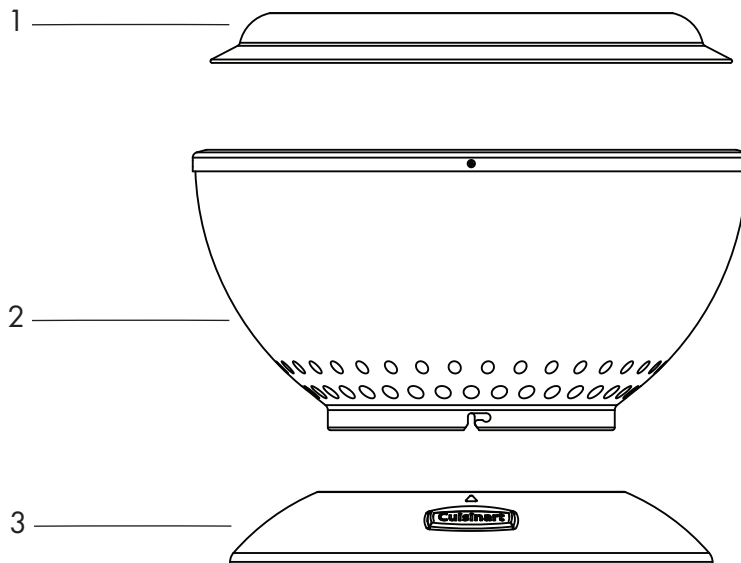
## CARE AND MAINTENANCE

### PROPER CARE AND MAINTENANCE

- Clean out ashes after each use only after the fire pit is completely cooled. See "Removing Ash" above.
- Do not attempt to clean while hot.
- Store the fire pit in a dry place out of the weather.
- Cover fire pit when not in use (sold separately, model #CHC-801).

## WARRANTY AND REPLACEMENT PARTS

### EXPLODED VIEWS



## WARRANTY AND REPLACEMENT PARTS

### PARTS LIST

PART	DESCRIPTION	QTY
S60011	Wind Guard	(x1)
S60012	Main Body	(x1)
S60013	Base	(x1)

## WARRANTY AND REPLACEMENT PARTS

### WARRANTY

- PROOF OF PURCHASE is required to access this warranty program, which is in effect from the date of purchase.
- Customers will be subject to parts, shipping, and handling fees if unable to provide proof of the purchase or after the warranty has expired.
- If you have any questions or problems, you can call our customer service department at 1-866-994-6390 from 9:00am to 5:00pm Eastern time, Monday through Friday for assistance.
- This limited warranty applies to the functionality of the product ONLY and does not cover cosmetic issues such as scratches, dents, corrosion or discoloring by heat, abrasive and chemical cleaners or any tools used in the assembly or installation of the appliance, surface rust, or the discoloration of stainless steel surfaces. Paint is not warranted and will require touch up. RUST is not considered a manufacturing or materials defect.
- This limited warranty will not reimburse you for the cost of any inconvenience, food, personal injury or property damage.

### LIMITED WARRANTY

- All parts warranted one-year from date of purchase.

### WARRANTY PROVISIONS

- This warranty is non-transferable and does not cover failures due to misuse of improper installation or maintenance.
- This warranty is for replacement of defective parts only. We are not responsible for incidental or consequential damages or labor costs.
- This warranty does not cover corrosion or discoloration after the grill is used, or lack of maintenance, hostile environments, accidents, alterations, abuse or neglect.
- This warranty does not cover damage caused by heat, abrasive and chemical cleaners, or any damage to other components used in the installation or operation of the fire pit.
- Paint is not warranted and may require touch-up.



### DISCLAIMER OF IMPLIED WARRANTIES; LIMITATION OF REMEDIES

---

- Repair or replacement of defective parts is your exclusive remedy under the terms of this limited warranty.
- Manufacturer will not be responsible for any consequential or incidental damages caused by weather. This limited warranty or any applicable implied warranty does not cover damage resulting from acts of God, improper care and maintenance, grease fire, accident, alteration, replacement of parts by anyone other than manufacturer, misuse, transportation, commercial use, hostile environments (inclement weather, act of nature, animal tampering), improper installation not in accordance with local codes or printed manufacturer instructions.
- Due to extremely high temperatures, discoloration of the fire pit will occur and is considered normal. Stainless steel has an increased resistance to rust; it is not rust proof. Prolonged exposure to moisture may result in increased staining and/or rusting. Due to extremely high temperatures inside, the fire pit may show signs of staining/rust. This is normal and will not affect normal use.
- To register your Cuisinart product, please visit <https://cuisinart.registria.com>.
- For FAQ's and replacement parts, please contact us at [grilling@thefulhamgroup.com](mailto:grilling@thefulhamgroup.com). For our consumer care department, please contact us at [grilling@thefulhamgroup.com](mailto:grilling@thefulhamgroup.com) or call 1-866-994-6390 from 9:00am to 5:00pm Eastern time, Monday through Friday.

Get Social With Us @CuisinartBBQ    YouTube

See our full line of premium Cuisinart® Outdoor Cooking Products at [www.cuisinart.com/outdoorgrilling](http://www.cuisinart.com/outdoorgrilling)

©2021 Cuisinart

Cuisinart® is a registered trademark under license to The Fulham Group.  
Distributed by The Fulham Group, Newton, MA. 02466 U.S.A. MADE IN CHINA.

Model # COH-800  
North American Distributor:  
The Fulham Group  
Newton, MA 02466

**Cuisinart**  
SAVOR THE GOOD LIFE