



PORTABLE AIR CONDITIONER

USER MANUAL

FOR MODELS: 1AP14000



Before using your air conditioner, please read this manual carefully and keep it for future reference, along with your receipt. Specifications and performance data is subject to change without notice.

CONSUMER PRODUCT INFORMATION

For your own records, please attach a copy of your sales receipt to this manual and complete the following:

Model Number: _____ Serial Number: _____

Purchase Date: _____ Store Purchased: _____

Installation Date: _____ Installation Co.: _____

Installer Name: _____ Installer Phone No.: _____

CONTENTS

SAFETY PRECAUTIONS.....	1
IDENTIFICATION OF PARTS	3
INSTALLATION INSTRUCTIONS	5
CARE AND MAINTENANCE.....	10
AIR CONDITIONER FEATURES.....	11
OPERATING INSTRUCTIONS.....	12
TROUBLESHOOTING.....	14

This manual provides the information needed for proper use and maintenance of this air conditioner. Basic preventative care can help extend the life of this unit. The “Troubleshooting” section in this manual contains a chart with solutions to the most common problems. Referring to this section may save time and prevent the need for a service call in the event of a problem.

NOTE: The rating data indicated on the energy label is based on the testing condition of installing the un-extended air exhaust duct without flat mouth, round mouth, and wall exhaust adapters. (The duct and the adapters are listed in the accessories chart of this Instruction Manual.)

OPERATING CONDITIONS

The air conditioner must be operated within the temperature range indicated below:

MODE	ROOM TEMPERATURE
COOL	62°F (17°C)–95°F (35°C)
DRY	55°F (13°C)–95°F (35°C)

NOTE: Performance may be reduced outside of these operating temperatures.

ENERGY SAVING TIPS

- Use the unit in the recommended room size.
- Locate the unit where furniture cannot obstruct the air flow.
- Keep blinds/curtains closed during the sunniest part of the day (cooling mode).
- Keep the filters clean.
- Keep doors and windows closed to keep cool air in and warm air out (cooling mode) or keep warm air in and cool air out (heating mode for units with heat function).

NOTE: All the illustrations in this manual are for explanation purposes only. Unit purchased may be slightly different.

The design and specifications are subject to change without prior notice for product improvement. Contact Consumer Services at (844-472-2473) for details.

SAFETY PRECAUTIONS

READ SAFETY PRECAUTIONS BEFORE INSTALLATION


To prevent injury to the user or other people and property damage, the following instructions must be followed. Incorrect operation due to ignoring of instructions may cause harm or damage.


 **NEVER DO THIS.**


 **ALWAYS DO THIS.**


WARNING

 **DO NOT** store or use gasoline or other flammable vapors and liquids in the vicinity of this or any other appliance.

 **DO NOT** use an extension cord or an adapter plug; avoid fire hazard or electric shock. Do not remove any prong from the power cord..

 Be sure the electrical service is adequate for the model you have chosen. This information can be found on the serial plate, which is located on the side of the cabinet and behind the grille.

 Be sure the air conditioner is properly grounded. To minimize shock or fire hazards, proper grounding is important. The power cord is equipped with a three-prong grounding plug for protection against shock hazards.

 Your air conditioner must be used in a properly grounded wall receptacle. If the wall receptacle you intend to use is not adequately grounded or protected by a time delay fuse or circuit breaker, have a qualified electrician install the proper receptacle.

 Ensure the receptacle is accessible after the unit installation.

CAUTION

- Contact a qualified installer for installation of this unit if necessary.
- Contact a qualified service technician for repair or maintenance of this unit.
- The air conditioner is not intended for use by young children without supervision. Young children should be supervised to ensure that they do not play with the air conditioner.
- If the power cord is to be replaced, replacement work should be performed by authorized personnel only.
- Installation and repair work must be performed in accordance with the national wiring standards by authorized personnel only.
- **DO NOT** operate your air conditioner in a wet room such as a bathroom or laundry room.
- This appliance can be used by persons with reduced physical, sensory or mental capabilities or lack of experience and knowledge if they have been given supervision or instruction concerning use of the appliance in a safe way and understand the hazards involved. Cleaning and user maintenance shall not be made by children without supervision.
- Children should be supervised to ensure that they do not play with the appliance.
- Disabled persons may require assistance with setup and/or use.
- **DO NOT** operate the appliance with a damaged cord or plug. Call Consumer Services at 844-472-2473 if the power supply cord and/or plug is damaged; it must be replaced by a qualified service technician in order to avoid a hazard.
- Prior to cleaning or other maintenance, the appliance must be disconnected from its main power supply.
- **DO NOT** install the appliance in a location that may be exposed to combustible gas.
- If combustible gas (or other flammable liquids or vapors) accumulates around the unit, it may cause fire.
- **DO NOT** run cord under carpeting. Do not cover cord with throw rugs, runners, or similar coverings. Do not route cord under furniture or appliances. Arrange cord away from traffic area and where it will not be tripped over.
- To reduce the risk of fire or electric shock, do not use the appliance with any solid-state speed control device.
- The appliance shall be installed in accordance with national wiring regulations.
- When there are differences between “USER MANUAL” and “Remote Control Manual” on function description, the description on “USER MANUAL “ shall prevail.

SAFETY PRECAUTIONS

Please read through these instructions before you start the installation process. Improper installation can cause damage to the unit, your personal property, and also poses a personal safety hazard.

- Installation must be performed according to the installation instructions. Improper installation can cause water leakage, electrical shock, or fire.
- Use only the included accessories and parts, and specified tools for the installation. Using non-standard parts can cause water leakage, electrical shock, fire, and injury or property damage.
- Make sure that the outlet you are using is grounded and has the appropriate voltage. The power cord is equipped with a three-prong grounding plug to protect against shock. Voltage information can be found on the side of the unit, behind the grille. If the wall receptacle you intend to use is not adequately grounded or protected by a time delay fuse or circuit breaker, have a qualified electrician install the proper receptacle.
- Ensure the receptacle is accessible after the unit installation.
- Install the unit on a flat, level, sturdy surface. Failure to do so could result in damage or excessive noise and vibration.
- The unit must be kept free from obstruction to ensure proper function and to mitigate safety hazards.
- **DO NOT** modify the length of the power cord or use an extension cord to power the unit.
- **DO NOT** share a single outlet with other electrical appliances. Improper power supply can cause fire or electrical shock.
- **DO NOT** remove any prong from the power cord.
- **DO NOT** install your air conditioner in a wet room such as a bathroom or laundry room. Too much exposure to water can cause electrical components to short circuit. Your air conditioner should be used in such a way that it is protected from moisture (i.e. condensation, splashed water, etc.). Do not place your air conditioner where it can fall or be pulled into water or any other liquid. If the unit does ever fall into water, unplug it immediately.
- **DO NOT** install the unit in a location that may be exposed to combustible gas or other flammable liquids or vapors as this could cause fire.
- The unit has wheels to facilitate moving. Make sure not to use the wheels on thick carpet or to roll over objects, as these could cause tipping. Always transport your air conditioner in a vertical position and stand on a stable, level surface during use.
- **DO NOT** operate a unit that has been dropped or damaged.
- **DO NOT** remove any fixed covers from the unit.
- Only use the included accessories and specified parts for installation. Using nonstandard parts can cause water leakage, electrical shock, fire, and injury or property damage.
- The unit must be kept free from obstruction to ensure proper function. Keep an air path of at least 12 in (30 cm) all around the unit from walls, furniture, and curtains.
- **DO NOT** allow children to play with the air conditioner. Children must be supervised around the unit at all times.
- If the air conditioner is knocked over during use, turn the unit off and unplug it from the main power supply immediately. Visually inspect the unit to ensure there is no damage. If you suspect the unit has been damaged, contact a technician or customer service for assistance.
- In a thunderstorm, the power must be cut off to avoid damage to the machine due to lightning.
- Turn off the product when not in use.
- **DO NOT** touch the unit or plug with wet or damp hands or when barefoot.
- **DO NOT** press the buttons on the control panel with anything other than your fingers.
- **DO NOT** remove any fixed covers. Never use this appliance if it is not working properly or if it has been dropped or damaged.
- Never use the plug to start or stop the unit. (Always use the switch on the control panel or remote to power the unit on and off.)
- **DO NOT** use this product for functions other than those described in the instruction manual.

IDENTIFICATION OF PARTS










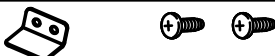
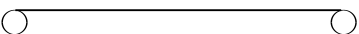
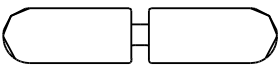
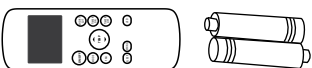
ACCESSORIES

Check that all the accessories are included in the package (Fig. 1) and refer to the installation instructions for their usage. Your Window Installation Kit fits windows 26.5–48 inches (67.5–123 cm) and can be shortened for smaller windows.

TOOLS NEEDED:

- Medium Phillips screwdriver
- Tape measure or ruler
- Knife or scissors
- Saw (optional, to shorten window adapter for narrow windows)

FIG. 1

PART	DESCRIPTION	QUANTITY
	Unit Adapter	1 pc
	Exhaust Hose	1 pc
	Window slider Adapter	1 pc
	Bolt	1 pc
	Window Slider A	1 pc
	Window Slider B	1 pc
	Foam Seal A (Adhesive)	2 pcs
	Foam Seal B (Adhesive)	2 pcs
	Foam Seal C (Non-Adhesive)	1 pc
	Security Bracket and 2 Screws	1 set
	Drain Hose	1 pc
	Power Cord Buckle	1 pc
	Remote Control and Batteries	1 set

NOTE: All of the illustrations in this manual are for explanation purposes only. Your air conditioner may be slightly different.

ABOUT FLUORINATED GASES

- This air conditioning unit is a hermetically sealed unit that contains fluorinated gases. For specific information on the type of gas and the amount, please refer to the relevant label on the unit itself.
- Installation, service, maintenance and repair of this unit must be performed by a certified technician.
- Product uninstallation and recycling must be performed by a certified technician.
- When the unit is checked for leaks, proper record-keeping of all checks is strongly recommended.

PARTS DIAGRAM

FRONT

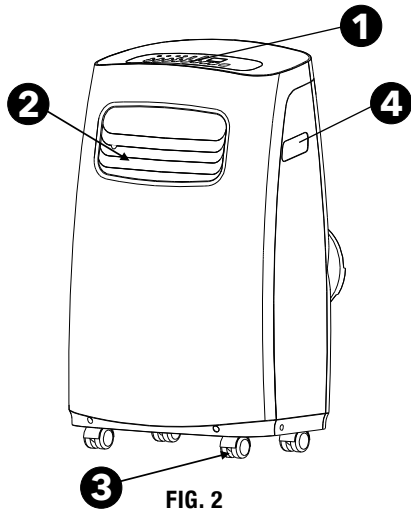


FIG. 2

- 1. Control Panel
- 2. Horizontal Louver Blades (adjust manually)
- 3. Casters (4x)
- 4. Carrying Handle (both sides)

REAR

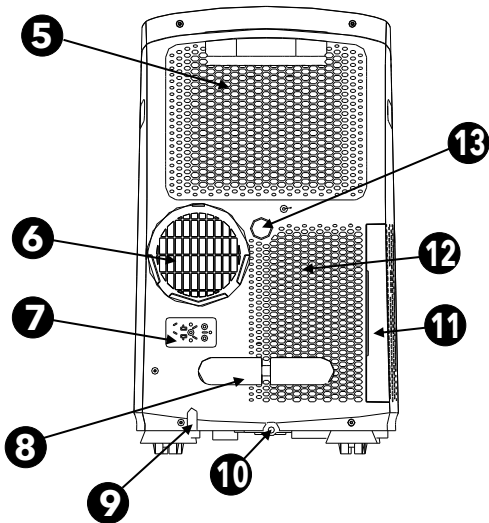


FIG. 3

- 5. Upper Air Intake/Filter
- 6. Air Outlet
- 7. Power Plug Socket (used only when storing the unit)
- 8. Power Cord Buckle (used only when storing the unit)
- 9. Power Cord Outlet
- 10. Bottom Tray Drain Outlet
- 11. Lower Air Filters A & B (behind the grille)
- 12. Lower Air Intake
- 13. Upper Drain Outlet

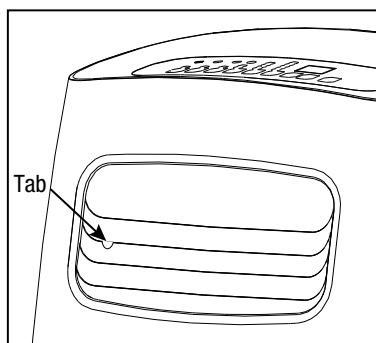


FIG. 4

► AIR FLOW DIRECTION ADJUSTMENT

The louvers can be adjusted manually. (Fig. 4.) Use the tab to gently adjust louvers up and down so air flow is pointed in the desired direction. Operating the unit with the louvers closed (or only slightly open) will not allow the unit to properly cool.

INSTALLATION INSTRUCTIONS

► LOCATION

- The air conditioner should be placed on a firm surface to minimize noise and vibration. For safe and secure positioning, place the unit on a smooth, level floor strong enough to support the unit.
- The unit has casters to aid placement, but it should only be rolled on smooth, flat surfaces. Use caution when rolling on carpeted surfaces. Do not attempt to roll the unit over objects.
- The unit must be placed within reach of a properly rated ground socket.
- Never place any obstacles around the air inlet or outlet of the unit.
- Allow at least 12 inches (30cm) of space from the wall for efficient air-conditioning. (See Fig 5.)

► WINDOW SLIDER KIT INSTALLATION

Your window slider kit has been designed to fit most standard “vertical” and “horizontal” window applications. However, it may be necessary for you to improvise or modify some aspects of the installation procedures for certain types of windows. Please refer to Fig. 6 and Fig. 7 for minimum and maximum window openings. Window slider kit length can be fixed with a bolt. (See Fig. 8.)

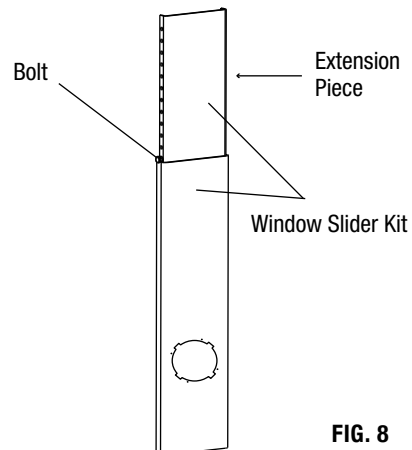
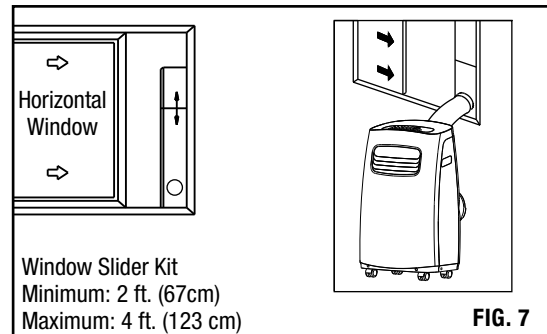
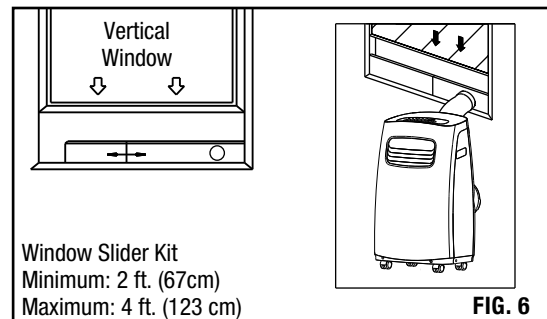
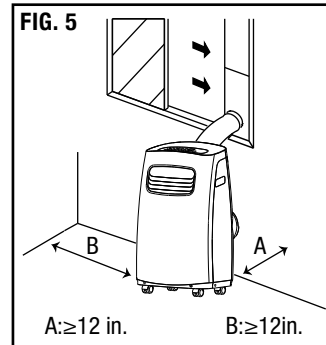
NOTE: If the window opening is less than 2 ft., cut the extension piece (See Fig. 8) shorter so the kit properly fits in the window opening. Only cut if absolutely necessary. Never cut the hole in the window slider kit.

! CAUTION

Make sure there are no obstacles around the air outlet of the exhaust hose (in the range of 20 in. / 500mm) in order for the exhaust system to work properly.

The exhaust hose and adapter must be installed or removed in accordance with the usage mode as indicated below:

COOL or AUTO mode	Install Hose
FAN or DRY mode	Remove Hose



► **STEP 1:**
PREPARING THE EXHAUST HOSE ASSEMBLY Fig. 9

Press the exhaust hose into the window slider adapter and unit adapter; it will snap automatically to the adapters.

► **STEP 2:**
INSTALL THE EXHAUST HOSE ASSEMBLY TO THE UNIT Fig. 10

Slide the Exhaust hose into the air outlet opening of the unit along the arrow direction, from left to right.

► **STEP 3:**
PREPARING THE ADJUSTABLE WINDOW SLIDER Fig. 11

- a. Depending on the size of your window, adjust the size of the window slider.
- b. If the length of the window requires two window sliders, use the bolt (included) to fasten the window sliders once they are adjusted to the proper length.

NOTE: To ensure proper function, **DO NOT** overextend or bend the hose. Make sure that there are no obstacles around the air outlet of the exhaust hose (20 inch clearance) in order to ensure the exhaust system works properly. (Fig. 12.)

Once the Exhaust Hose assembly and Adjustable Window Slider are prepared, choose from one of the following two installation methods:

- Hung Window Installation (page 7)
- Sliding Window Installation (page 8)

► **RECOMMENDED INSTALLATION**

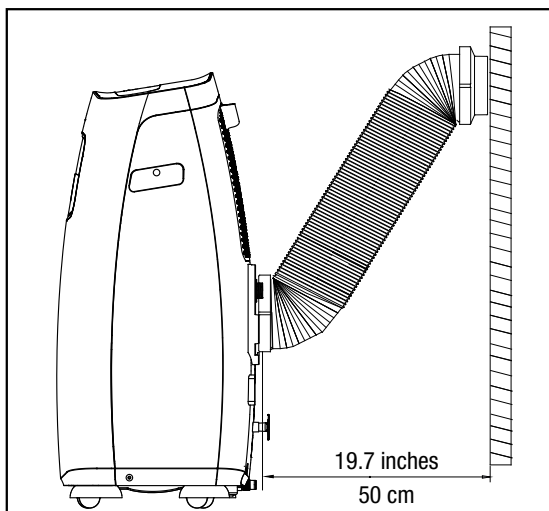


FIG. 9

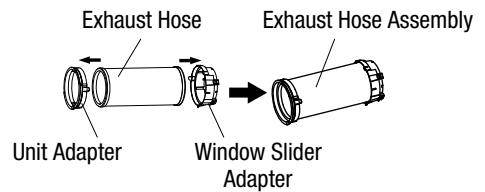


FIG. 10

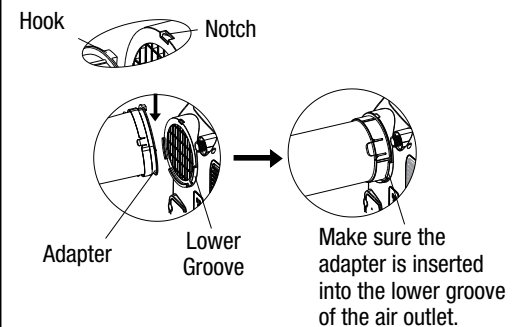


FIG. 11

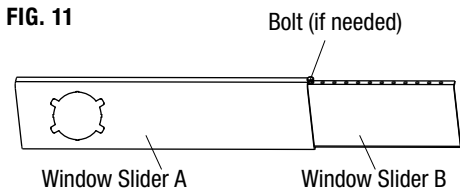
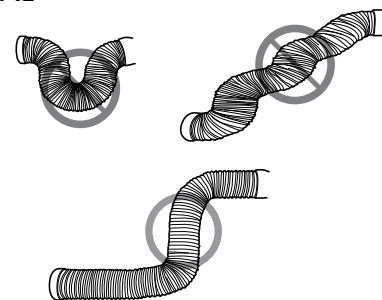


FIG. 12



NOTE: All the illustrations in this manual are for explanation purposes only. Your unit may be slightly different. The actual shape of the unit prevails.

The unit can be controlled by its control panel or with the remote control. This manual does not include remote control operations. See the Remote Control User Manual included with the unit for details.

TYPE 1: HUNG WINDOW INSTALLATION

► STEP 1 Fig. 13.

Cut the adhesive foam seal A and B strips to the proper lengths, and attach them to the window sash and frame as shown.

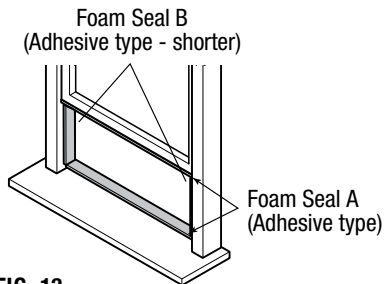


FIG. 13

► STEP 2 Fig. 14.

Insert the window slider assembly into the hole of the window opening.

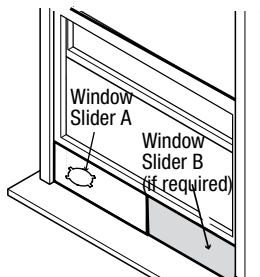


FIG. 14

► STEP 3 Fig. 15.

Cut the non-adhesive foam seal C strip to match the width of the window. Insert the seal between the glass and the window frame to prevent air and insects from getting into the room.

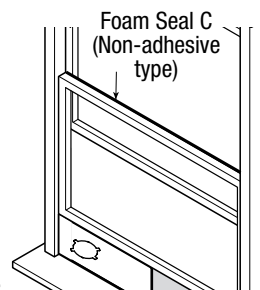


FIG. 15

► STEP 4 Fig. 16.

If desired, install the security bracket with 2 screws as shown.

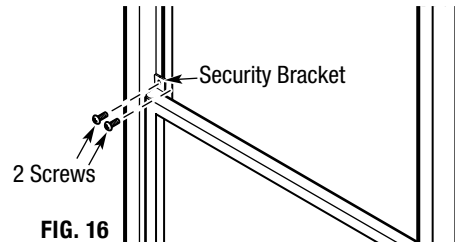


FIG. 16

► STEP 5 Fig. 17.

Insert the window slider adapter into the hole of the window slider.

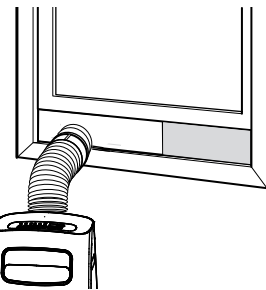


FIG. 17

NOTE: All the illustrations in this manual are for explanation purposes only. Your unit may be slightly different.

TYPE 2: SLIDING WINDOW INSTALLATION

► STEP 1 Fig. 18.

Cut the adhesive foam seal A and B strips to the proper lengths, and attach them to the window sash and frame as shown.

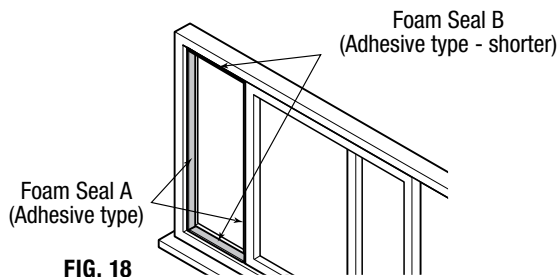


FIG. 18

► STEP 2 Fig. 19.

Insert the window slider assembly into the window opening.

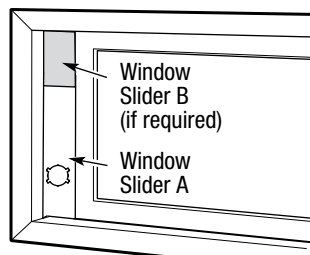


FIG. 19

► STEP 3 Fig. 20.

Cut the non-adhesive foam seal C strip to match the width of the window. Insert the seal between the glass and the window frame to prevent air and insects from getting into the room.

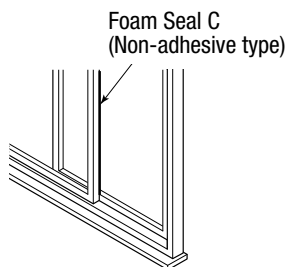


FIG. 20

► STEP 4 Fig. 21.

If desired, install the security bracket with 2 screws as shown.

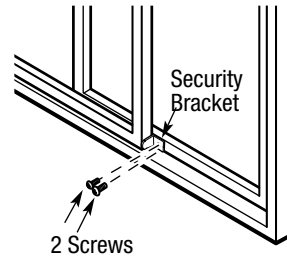


FIG. 21

► STEP 5 Fig. 22.

Insert the window slider adapter into the hole of the window slider.

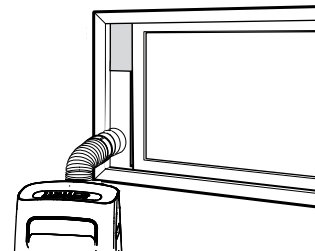


FIG. 22

NOTE: All the illustrations in this manual are for explanation purposes only. Your unit may be slightly different.

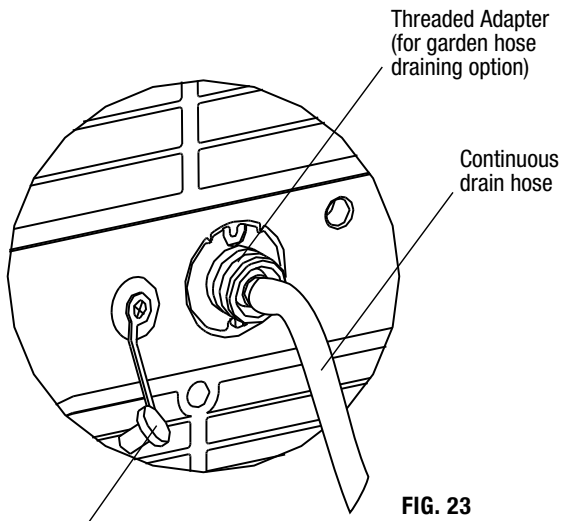


FIG. 23

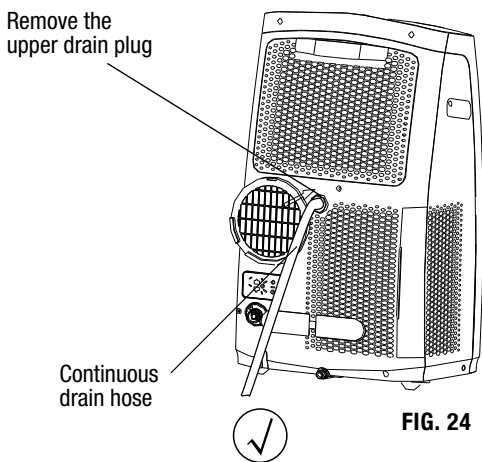


FIG. 24

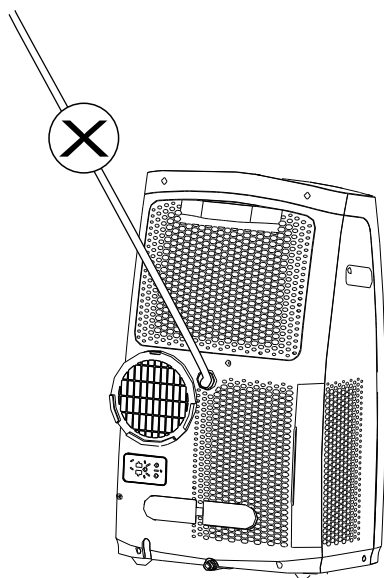


FIG. 25

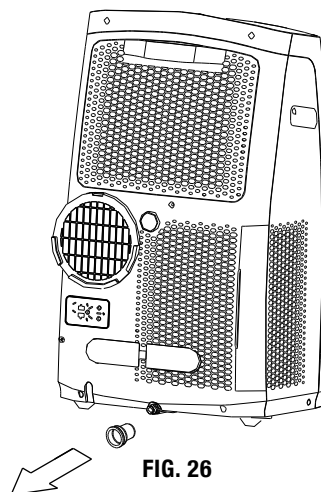


FIG. 26

▶ WATER DRAINAGE

During dehumidifying mode, remove the upper drain plug from the back of the unit and attach 3/4" vinyl tube included with the unit (5/8" outer diameter). If a longer hose is needed, a vinyl tube (3/4" inner diameter 5/8" outer diameter) can be purchased at a local hardware store or a standard garden hose (not included) may be attached to the threaded adapter and used for continuous draining. (A hose length of no greater than 6 ft is recommended.) Place the open end of the hose directly over the drain area in your floor. See Fig. 23 & 24.

NOTE: Make sure the hose is secure so there are no leaks. Direct the hose toward a floor drain, making sure that there are no kinks that will stop the water flow. Place the end of the hose into a drain and make sure the end of the hose is directed downward to let the water flow smoothly. (See Fig. 24.) Never allow the hose to be directed upward at any point. (Fig. 25.)

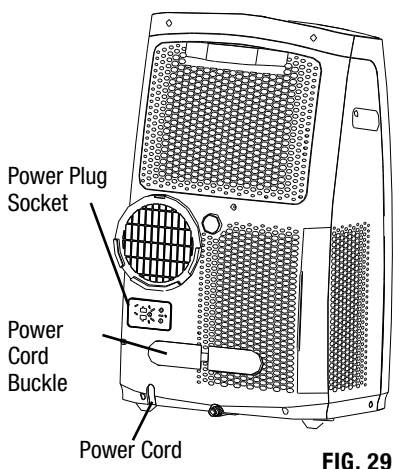
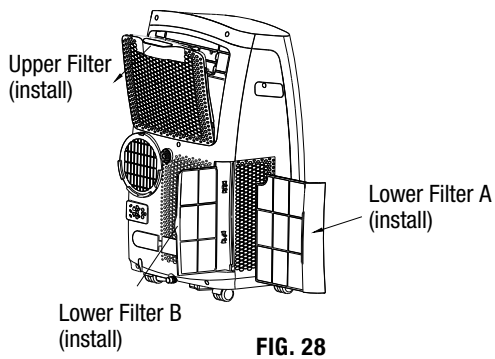
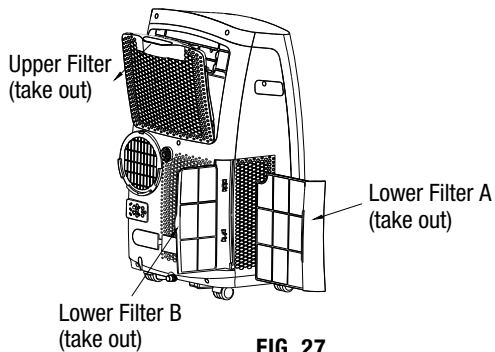
When the water level of the bottom tray reaches a predetermined level, the unit beeps 8 times and the digital display area shows "P1". At this time the air conditioning/dehumidification process will immediately stop. However, the fan motor will continue to operate. (This is normal.) Carefully move the unit to a drain location, remove the bottom drain plug and drain the water (Fig. 26). You can carefully tilt the unit back slightly to assist with drainage. Restart the machine until the "P1" symbol disappears. If the P1 symbol will not clear after following the above instructions and waiting a few minutes after restarting the machine, call Consumer Services.

NOTE: Be sure to reinstall the bottom drain plug before using the unit.

CARE AND MAINTENANCE

⚠ CAUTION

Clean air conditioner occasionally to keep it looking and operating like new.
Be sure to unplug the unit before cleaning to prevent shock or fire hazards.



► IMPORTANT

1. Be sure to unplug the unit before cleaning or servicing.
2. Do not use gasoline, thinner or other chemicals to clean the unit.
3. Do not wash the unit directly under a tap or using a hose. It may cause electrical danger.
4. If the power cord is damaged, it should be repaired by an authorized repairman.

► 1. AIR FILTERS

Clean the air filters at least once every two weeks to prevent inferior fan operation because of dust.

- **REMOVAL:** This unit has three filters. Take the upper filter out along the arrow direction as shown in Fig. 27. Remove the lower filters (A & B) as shown in Fig. 27. *Remove lower filter A before removing lower filter B.
- **CLEANING:** Wash the air filters by immersing them gently in warm water (about 104°F/40°C) with a mild detergent. Rinse the filters and dry them in a cool, dry place.
- **MOUNTING:** Install the upper and lower air filters after cleaning as shown in Fig. 28. Be sure to use the screw for the lower filters.

NOTE: The upper grille and upper air filter are connected and cannot be separated.

► 2. UNIT ENCLOSURE

Use a lint-free cloth soaked with mild detergent to clean the unit enclosure. Finish by using a dry, clean cloth.

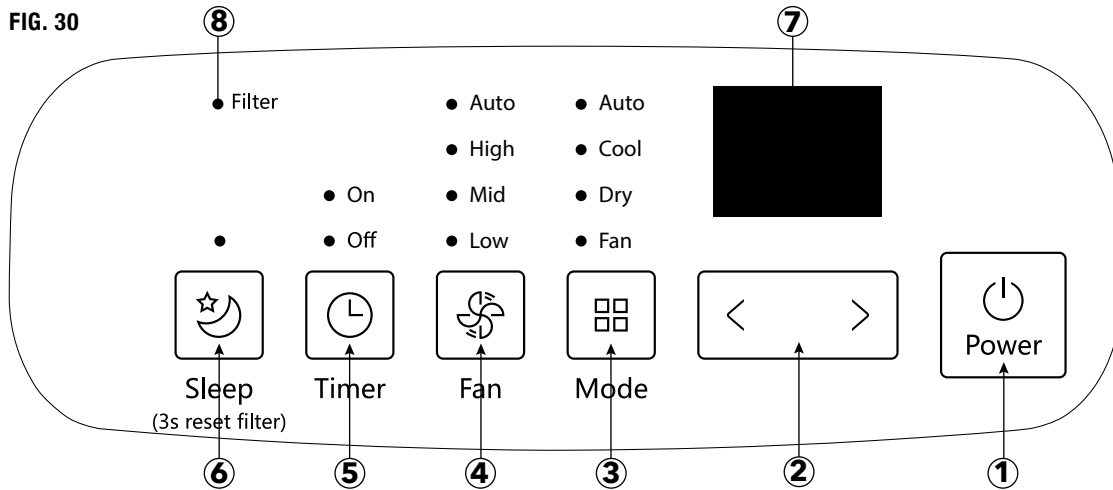
► 3. UNIT IDLE FOR A LONG TIME

- Remove the rubber plug on the back of the unit and attach a hose to drain outlet. Place the open end of the hose directly over the drain area in your basement floor or over a shallow pan (if no floor drain is available.) (See Fig. 23 & 24.) Remove the plug from the bottom drain outlet; the water in the bottom tray will drain out. (See Fig. 26.) Carefully tilt unit back slightly to assist with water drainage from bottom drain outlet.
- Keep the appliance running on FAN mode for half a day in a warm room to dry the appliance inside and prevent mold from forming.
- Stop the appliance and unplug it. Wrap the cord around the power cord buckle and insert plug into power plug socket for storage. (See Fig. 29.) Remove the batteries from the remote control.
- Clean all air filters and reinstall them.
- Disconnect the exhaust hose and keep it in a safe place. Cover the window hole or remove slider kit from the window completely.

AIR CONDITIONER FEATURES

Thoroughly familiarize yourself with the control panel shown below and all of its functions. Afterwards, follow the symbol for the functions you desire. This unit can be controlled by the unit control or the remote control.

NOTE: This manual does not include Remote Control Operations; see the Remote Control Instructions packed with the unit for details.



1. POWER button

Power switch ON/OFF.

2. DOWN (<) and UP (>) buttons

Used to adjust (increase/decrease) temperature settings (1°F/1°C increments) in a range of 62°F (17°C) to 86°F (30°C) or to set the TIMER setting in a range of 0–24 hours.

NOTE: The control is capable of displaying the temperature in degrees Fahrenheit or degrees Celsius. To convert from one to the other, press and hold the Up and Down buttons at the same time for 3 seconds.

3. MODE select button

Selects the appropriate operating mode. Each time you press the button, a mode is selected in a sequence that goes from AUTO, COOL, DRY and FAN. The mode indicator light illuminates next to the different mode settings.

4. FAN button

Control the fan speed. Press to select one of three fan speeds: LOW, MID, HIGH or AUTO. The fan speed indicator light illuminates next to the different fan settings.

5. TIMER button

Used to initiate the AUTO ON start time and AUTO OFF stop time program, in conjunction with the (<) and (>) buttons. The timer ON/OFF indicator light illuminates next to the timer ON/OFF settings.

6. SLEEP button/Filter Reset

Used to initiate the SLEEP operation.

NOTE: After 250 hours of operation, the filter indicator light illuminates. This feature is a reminder to clean the Air Filters for more efficient operation. Press and hold the SLEEP button for 3 seconds to reset filter reminder light.

7. LED display

Shows the set temperature in “°C” or “°F” and the Auto-timer settings. While on DRY and FAN modes, it shows the room temperature. (Details about error codes that may appear on the display can be found on page 13.)

8. FILTER indicator

NOTE: After 250 hours of operation, the filter indicator light illuminates. This feature is a reminder to clean the Air Filter for more efficient operation.

- Press and hold the FAN button for 3 seconds to cancel the reminder.
- Press and hold the SLEEP button for 3 seconds to reset filter reminder light.

OPERATING INSTRUCTIONS

► COOL operation

- Press the “MODE” button until the “COOL” indicator light comes on.
- Press the ADJUST buttons “<” or “>” to select your desired room temperature. The temperature can be set within a range of 62°F–86°F (17°C–30°C).
- Press the “FAN” button to choose the fan speed.

► DRY operation

- Press the “MODE” button until the “DRY” indicator light comes on.
- Under this mode, you cannot select a fan speed or adjust the temperature. The fan motor operates at LOW speed.
- Keep windows and doors closed for a dehumidifying effect.
- Remove exhaust hose and slider kit from window.

► FAN operation

- Press the “MODE” button until the “FAN” indicator light comes on.
- Press the “FAN” button to choose the fan speed. The temperature cannot be adjusted.
- Do not put the duct to window.

► AUTO operation

- When you set the air conditioner to AUTO mode, it will automatically select cooling or fan only operation depending on the temperature you have selected and the room temperature.
- The air conditioner will maintain selected room temperature.
- Under AUTO mode, you cannot select the fan speed.

► FOLLOW ME

This feature can ONLY be activated from the remote control. The remote control serves as a remote thermostat allowing for precise temperature control at its location.

To activate the Follow Me feature, point the remote control toward the unit and press the FOLLOW ME button. The remote displays the actual temperature at its location. The remote control will send this signal to the air conditioner every 3 minutes until the FOLLOW ME button is pressed again. If the unit does not receive the Follow Me signal during any 7 minute interval, the unit will beep to indicate use of the Follow Me feature has ended. The display on the remote control indicates the temperature at the remote ONLY.

► TIMER operation

IF SETTING THE TIMER WHEN THE UNIT IS ON:

First press the TIMER button; the TIMER OFF indicator light illuminates. It indicates the Auto Stop program is initiated. Press the TIMER button again; the TIMER ON indicator light illuminates. It indicates the Auto Start program is initiated.

IF SETTING THE TIMER WHEN THE UNIT IS OFF:

First press the TIMER button; the TIMER ON indicator light illuminates. It indicates the Auto Start program is initiated. Press the TIMER button again; the TIMER OFF indicator light illuminates. It indicates the Auto Stop program is initiated.

- Press or hold the UP or DOWN button to change the Auto time by 0.5 hour increments, up to 10 hours, then at 1 hour increments up to 24 hours. The control will count down the time remaining until start.
- The selected time will register in 5 seconds and the system will automatically revert back to displaying the previous temperature setting.
- The system will automatically revert back to display the previous temperature setting if there is no operation in a 5 second period.
- Turning the unit ON or OFF at any time or adjusting the timer setting to 0.0 will cancel the Auto Start/Stop timed program.
- If a malfunction occurs, the Auto Start/Stop timed program will also be canceled.

► SLEEP operation

In this mode the selected temperature will increase (cooling) by 2°F/1°C 30 minutes after the mode is selected. The temperature will then increase (cooling) by another 2°F/1°C after an additional 30 minutes. This new temperature will be maintained for 7 hours before it returns to the originally selected temperature. This ends the Sleep mode and the unit will continue to operate as originally programmed.

NOTE: This sleep feature is not available under FAN or DRY mode.

► **AUTO-RESTART**

If the unit breaks off unexpectedly due to the power being cut, it will restart with the previous function setting automatically when the power is restored.

WAIT 3 MINUTES BEFORE RESUMING OPERATION.

After the unit has stopped, operation cannot be restarted in the first 3 minutes. This is to protect the unit. Operation will automatically start after 3 minutes.

► **ERROR AND PROTECTION CODES**

- E1 - Room Temperature Sensor Error-**
Unplug the unit and plug it back in. If error repeats, call Consumer Services.
- E2 - Evaporator Temperature Sensor Error-**
Unplug the unit and plug it back in. If error repeats, call Consumer Services.
- E3 - Condenser Temperature Sensor Error-**
Unplug the unit and plug it back in. If error repeats, call Consumer Services.
- E4 - Display Panel Communication Error-**
Unplug the unit and plug it back in. If error repeats, call Consumer Services.
- EC - Refrigerant Leakage Detection Malfunction-**
Unplug the unit and plug it back in. If error repeats, call Consumer Services.
- E7 - Zero-Crossing Malfunction-**
Unplug the unit and plug it back in. If error repeats, call Consumer Services.
- P1 - Bottom Tray is Full-**
Remove bottom drain plug and empty the collected water into a floor drain, outdoors, or into a shallow pan. Carefully tilt unit back slightly to assist the water in draining. If error does not clear after emptying, call Consumer Services.

**ARCTIC WIND CONSUMER SERVICES TOLL FREE NUMBER:
1.844.472.2473**

TROUBLESHOOTING

BEFORE CALLING FOR SERVICE, PLEASE REVIEW THE CHART BELOW

ISSUE	POSSIBLE CAUSES
<p>AIR CONDITIONER NOT COOLING ROOM, OR NOT BLOWING COLD AIR</p>	<ul style="list-style-type: none"> • Be sure unit is not too large or too small for the area of the room. • Verify that all doors, windows, curtains and any other openings are closed. Verify nothing is obstructing the front grille of unit, such as curtains, etc. • Allow enough time for room to cool, especially if outside temp is very high. • Check that the filter is not dirty and louvers are open all the way and blowing in the desired direction. • Check that unit is set to COOL mode and that temperature is down enough (but not too low). • If unit is near a heat source, such as a stove, etc., relocate unit. • If air coming from unit is cool to the touch, then unit is working properly; please double check the first three bullet points above. • If using Follow Me remote feature, move remote away from unit. • Unplug unit for at least 5 minutes. Follow Reset instructions on plug.
<p>AIR CONDITIONER COOLING BUT ROOM IS TOO WARM - ICE FORMING ON COOLING COIL BEHIND DECORATIVE FRONT</p>	<ul style="list-style-type: none"> • Outdoor temperature is below 64°F (18°C). To defrost the coil, set to FAN only mode. • Air filter may be dirty. Clean filter. Refer to Care and Cleaning section. To defrost, set to FAN only mode. • Thermostat is set too cold for night-time cooling. To defrost the coil, set to FAN only mode. Then, set temperature to a higher setting.
<p>AIR CONDITIONER CYCLING ON AND OFF TOO FREQUENTLY OR NOT ENOUGH</p>	<ul style="list-style-type: none"> • Be sure unit is not too large or too small for the area of the room. • Make sure nothing is blocking the louvers. • Make sure there is no dirt or debris inside the unit or on the filter.
<p>UNIT WILL NOT TURN ON</p>	<ul style="list-style-type: none"> • Reset circuit breaker. Make sure there are not too many items (i.e. lamps, TV's, etc.) working off the same breaker. • Check plug connection. • If plug is operating on an on/off switch, be sure that the switch is 'on'. • Try plugging unit into another outlet. • Unplug unit for at least 5 minutes. Follow Reset instructions on plug.
<p>UNIT BLOWS FUSES OR POPS CIRCUIT BREAKER</p>	<ul style="list-style-type: none"> • Make sure there are enough available amps on the circuit for the air conditioner. • Large units which run on a 230v will require a dedicated 20 or 30 amp circuit.
<p>AIR CONDITIONER IS MAKING NOISES</p>	<ul style="list-style-type: none"> • Check to be sure the unit is free from debris. Verify nothing is obstructing the unit. • Check the fan blade for cracks or chips. • Make sure the window slider kit is properly and securely mounted inside the window. • Clean the air filter.
<p>REMOTE SENSING / FOLLOW ME DEACTIVATING PREMATURELY</p>	<ul style="list-style-type: none"> • Remote control not located within range. Place remote control within 20 ft and 180° radius of the front of the unit. • Remote control signal obstructed. Remove obstruction. • Replace batteries in remote control with a fresh set of batteries.

NOTE

A highly recommended troubleshoot for any issue in general consists of turning off unit and unplugging for 5 minutes. It is also recommended to try another wall outlet. For further assistance, contact Consumer Services at 844-472-2473.



ARCTIC WIND®