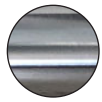
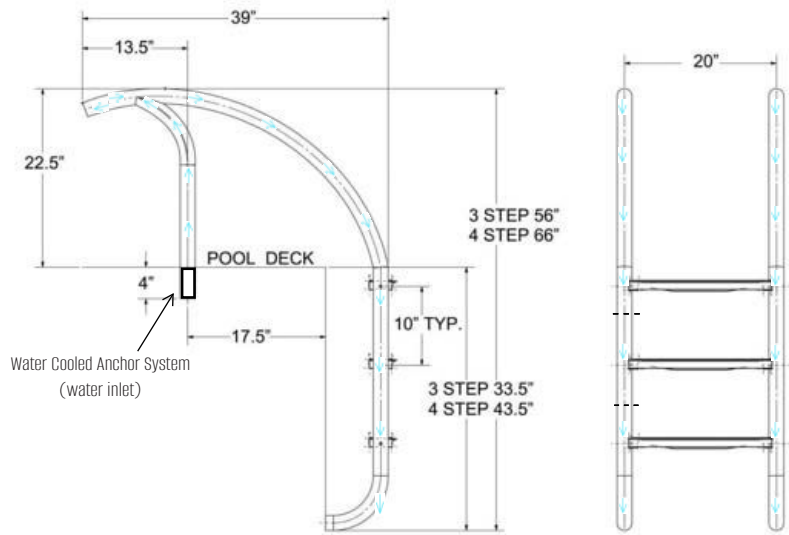
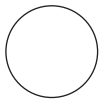


# MODERN COOLER LADDER™

- Internal water flow technology keeps the rail cool to the touch
- Maintains rail temperature within 15 degrees of the water's temperature
- 304 stainless steel construction
- Constructed of 1.9" OD and .065" wall thickness
- Powder coat options are salt water friendly
- Water flow of 10-16 gpm



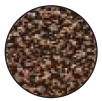
Polished



White



Sand



Copper Vein



Silver Vein

PART NUMBER	DESCRIPTION
GPP-MLD-3ST-SS-CR	Modern 3-Step Cooler Ladder .065" Wall Polished
GPP-MLD-3ST-WH-CR	Modern 3-Step Cooler Ladder .065" Wall White
GPP-MLD-3ST-SD-CR	Modern 3-Step Cooler Ladder .065" Wall Sand
GPP-MLD-3ST-CV-CR	Modern 3-Step Cooler Ladder .065" Wall Copper Vein
GPP-MLD-3ST-SV-CR	Modern 3-Step Cooler Ladder .065" Wall Silver Vein
GPP-CR-ANC20	4" Double Socket Anchor on 20" Channel for Cooler Ladder

Part numbers above are for 3-step ladder. For 4-step, replace "3ST" with "4ST".

Can be upgraded to Marine Grade 316. When ordering, add "-M" following the color code. All ladders ship with white steps but can be upgraded. To upgrade tread, add associated abbreviation following the color code or "-M" if the ladder was upgraded to marine grade. *Anchor system not included.*



White



Grey ("-G")



Stainless Steel ("-SST")



Tan ("-T")

