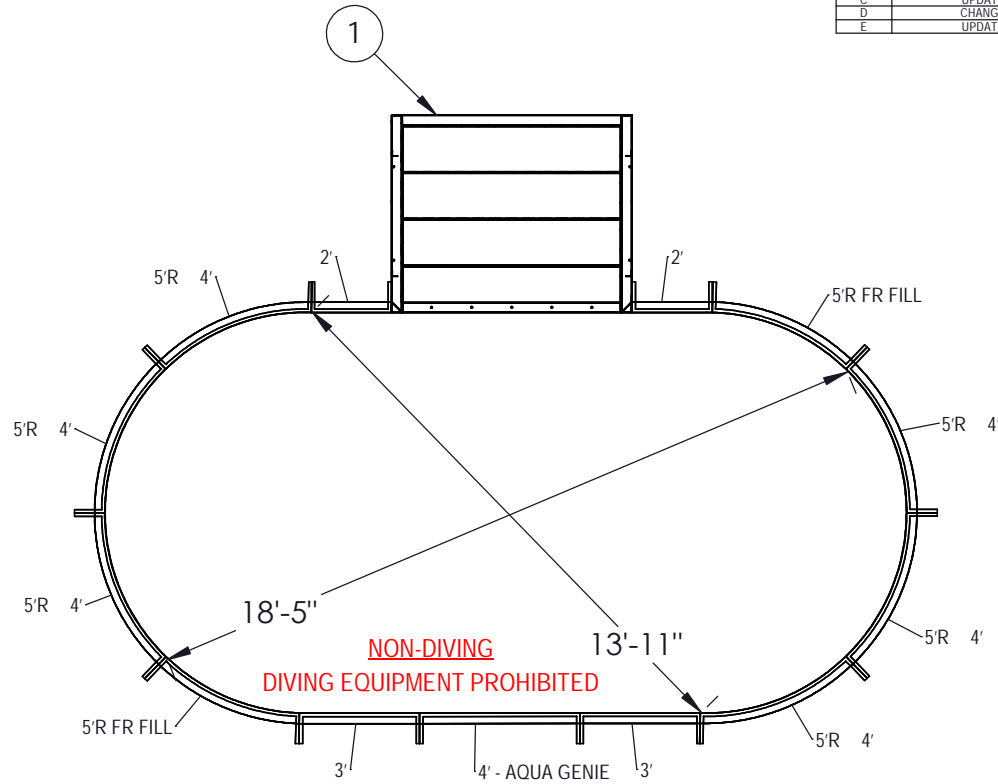


REVISION HISTORY				
REV.	DESCRIPTION	DATE	ECO	BY
A	RELEASED FOR QUOTE	3/11/2022		CHALL
B	CHANGED TO 90° CORNER	12/12/2022		MROGERS
C	UPDATED PER TICKET #245464	12/16/2022		MROGERS
D	CHANGED BRACES PER 592788	12/19/22		WILLIAMS
E	UPDATED PER TICKET #647935	3/18/2023		MROGERS



NOTES:

- THESE ARE FINISHED DIMENSIONS READY FOR THE LINER.
- DIMENSIONS ARE FROM INSIDE POOL PANELS.
- ROPE AND FLOAT ASSEMBLY SHOULD BE INSTALLED IN ACCORDANCE WITH CURRENT ANSI/ASPS/ICC REGULATIONS
- HYDRA LINER TRACK FOR STEPS IS INSTALLED WITH THE BARB FACING THE RISER WALL ON THE STEP.

EXCAVATION NOTES:

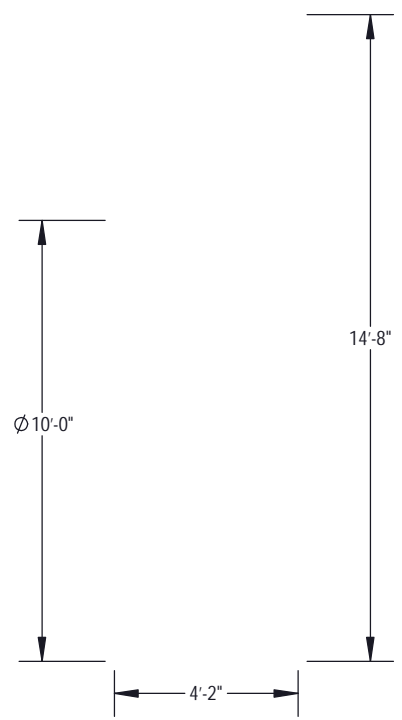
- ROUGH EXCAVATION SHOULD BE 2" DEEPER IN EACH INSTANCE.
- SOIL TO HAVE MINIMUM BEARING CAPACITY OF 1500 PSF.
- LOCATE TOP OF POOL AT LEAST 6" ABOVE THE SURROUNDING LAND ELEVATION.
- SEE "OVER DIG DETAIL", IN INSTALLATION MANUAL, FOR EXCAVATION AROUND POOL.
- FILL VOIDS UNDER BASE OF PANELS AND TAMP WELL.
- BACK FILL WITH NON-EXPANSIVE MATERIAL.
- FOLLOW ALL CURRENT ANSI / APSP / ICC GUIDELINES FOR RESIDENTIAL POOLS

IMPORTANT NOTES:

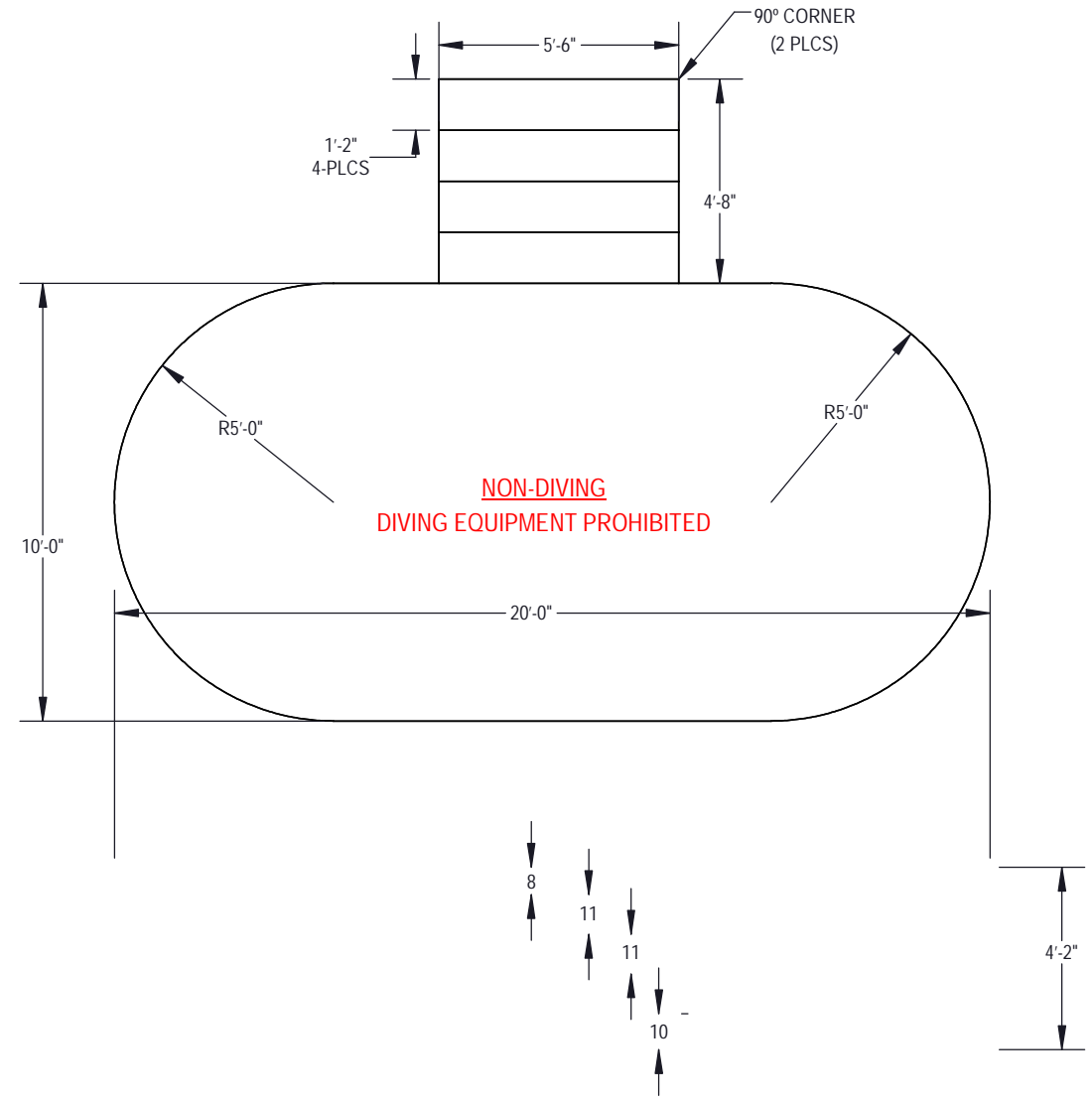
THIS DOCUMENT IS FOR ILLUSTRATIVE PURPOSES ONLY. THE DEALER OR CONTRACTOR WHO SELLS OR INSTALLS YOUR POOL IS AN INDEPENDENT CONTRACTOR AND IS NOT AN AGENT OF THE MANUFACTURER. THE CONSTRUCTION METHODS ILLUSTRATED HERE ARE SUGGESTIONS AND APPLY ONLY TO NORMAL GROUND CONDITIONS. THERE MAY BE ADDITIONAL PRECAUTIONS AND/OR METHODS OF CONSTRUCTION. PROPER INSTALLATION IS THE RESPONSIBILITY OF THE DEALER/BUILDER/CONTRACTOR.

ITEM	FILE NAME	DESCRIPTION	CUSTOMER DRAWING #	VENDOR PART #	QTY.
1	00027996	ASSEMBLY, STEP, 52 IN WALL, 4 TREAD, 6" WIDE, 90° CORNER	HSSH27996		1
2	BOLT, PACK	BOLT, FLANGE, 3/8-16 X 1", PACK (50)	HPS1916	HPS1916	6
3	52IN, BRACE	BRACE, BUTTRESS, 52", 850 SERIES	HPSHTRIBRC	00025945	14
5	52IN PANEL, STRAIGHT	PANEL, 2' LONG, 850 SERIES	HPSH102P	00027618	2
6	52IN PANEL, STRAIGHT	PANEL, 3' LONG, 850 SERIES	HPSH103P	00025940	2
7	52IN PANEL, STRAIGHT	PANEL, 4' LONG, AQUA GENIE, 850 SERIES	HPSH104AG	00027234	1
8	52 IN PANEL, RADIUS	PANEL, 5' RADIUS, 4' LONG, 850 SERIES	HPSH5R4	00027687	6
9	52 IN PANEL, RADIUS	PANEL, 5' RADIUS, FULL RADIUS FILL, 850 SERIES	HPSH5R3849	00027721	2
10	STAKE	STAKE, 14 GA	HPSSTAKE	00003484	14

ENGINEERING DRAWING NUMBER: 00041754	WEIGHT: lbs	UNLESS OTHERWISE SPECIFIED DIMENSIONS ARE IN INCHES TOLERANCES DECIMALS: X ± .1 XX ± .01 XXX ± .001 XXXX ± .0005 ANGULAR: X ± 0.5 THIRD ANGLE PROJECTION	DESIGNED BY: CHALL	CREATION DATE: 10/10/2019	SAMSON STEEL	
	VOLUME: Inch ³		DETAILED BY: CHALL	DETAILED DATE: 4/9/2023		
	COLOR:		LAST REVISED BY: mrogers	LAST REVISED DATE: 3/18/2023		
	HEAT TREAT:		MATERIAL:	TITLE: LAYOUT, 10'X20' OVAL, HSSH27996, 1- AQUA GENIE, 850 SERIES		
FINISH:				PART NUMBER:	SCALE: 1:100	SIZE: A
TEXTURE:					00041754	1 OF 4



AREA		PERIMETER	VOLUME
SQ. FT.	FT.		U.S. GALLONS
204.02	60.32		5994.09

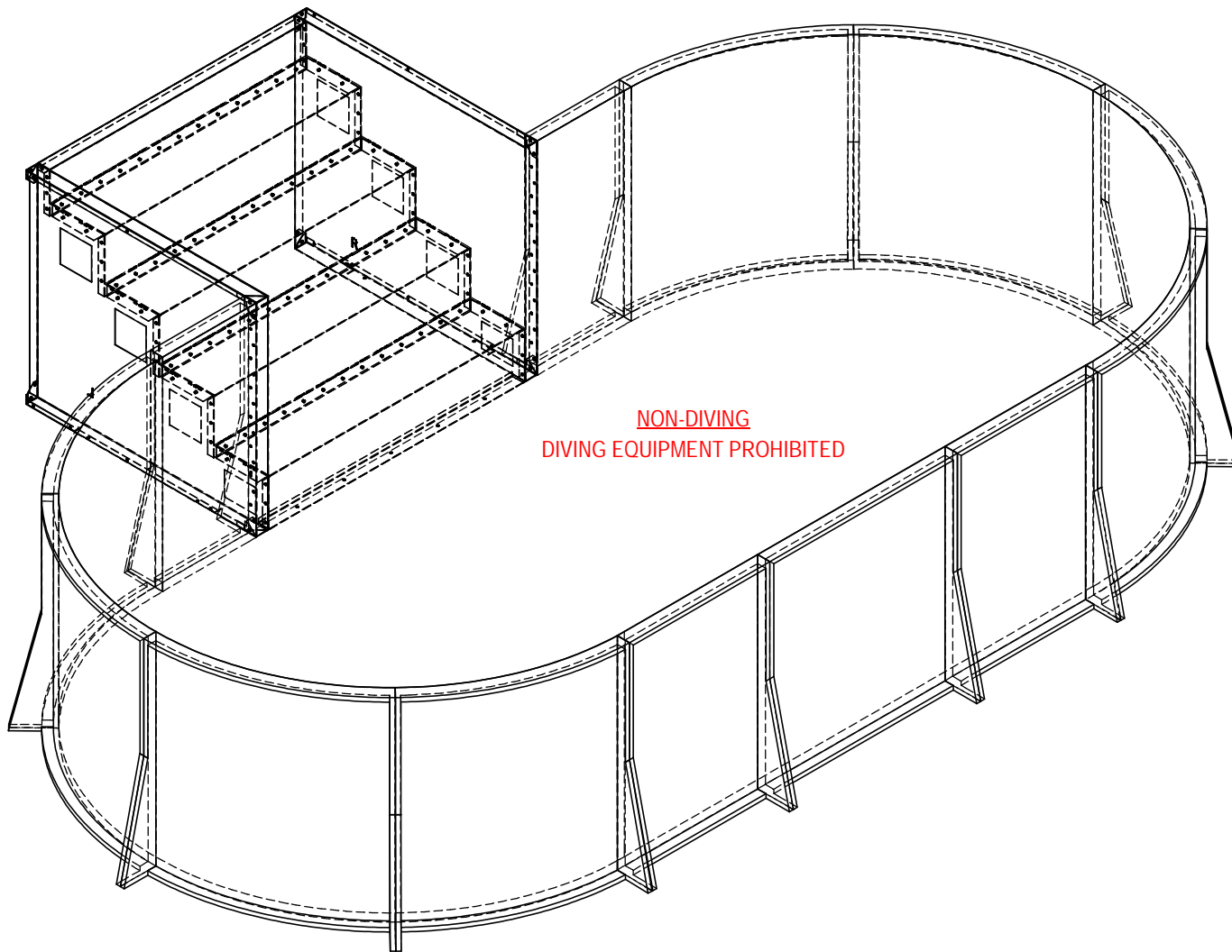


- NOTES:**
- THESE ARE FINISHED DIMENSIONS READY FOR THE LINER.
 - DIMENSIONS ARE FROM INSIDE POOL PANELS.
 - ROPE AND FLOAT ASSEMBLY SHOULD BE INSTALLED IN ACCORDANCE WITH CURRENT ANSI/ASPS/ICC REGULATIONS
 - HYDRA LINER TRACK FOR STEPS IS INSTALLED WITH THE BARB FACING THE RISER WALL ON THE STEP.
- EXCAVATION NOTES:**
- ROUGH EXCAVATION SHOULD BE 2" DEEPER IN EACH INSTANCE.
 - SOIL TO HAVE MINIMUM BEARING CAPACITY OF 1500 PSF.
 - LOCATE TOP OF POOL AT LEAST 6" ABOVE THE SURROUNDING LAND ELEVATION.
 - SEE "OVER DIG DETAIL", IN INSTALLATION MANUAL, FOR EXCAVATION AROUND POOL.
 - FILL VOIDS UNDER BASE OF PANELS AND TAMP WELL.
 - BACK FILL WITH NON-EXPANSIVE MATERIAL.
 - FOLLOW ALL CURRENT ANSI / APSP / ICC GUIDELINES FOR RESIDENTIAL POOLS

IMPORTANT NOTES:

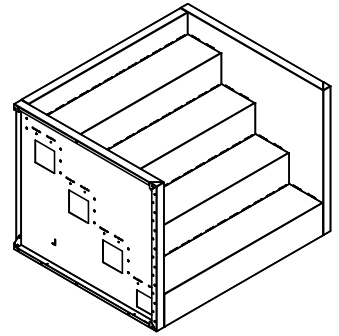
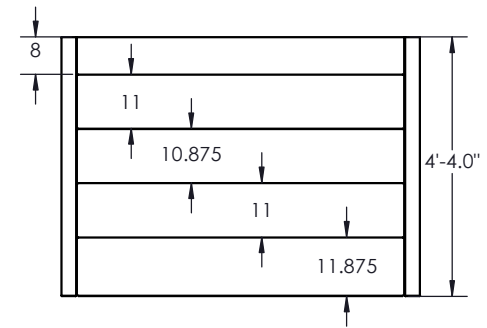
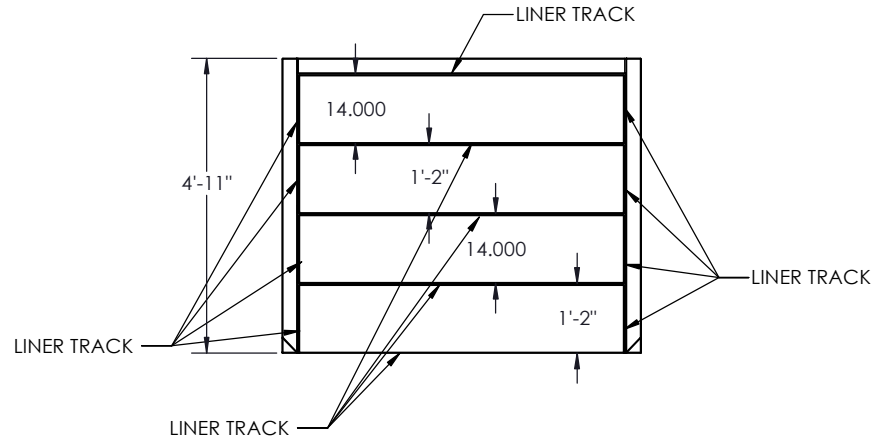
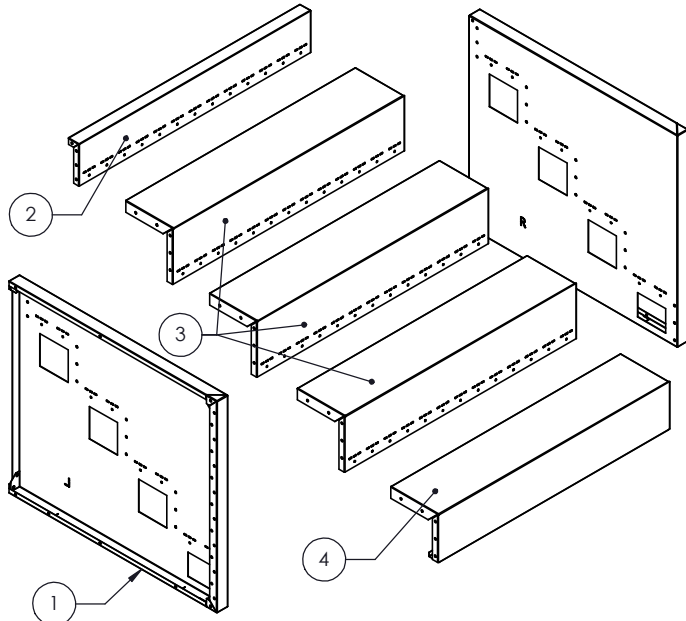
THIS DOCUMENT IS FOR ILLUSTRATIVE PURPOSES ONLY. THE DEALER OR CONTRACTOR WHO SELLS OR INSTALLS YOUR POOL IS AN INDEPENDENT CONTRACTOR AND IS NOT AN AGENT OF THE MANUFACTURER. THE CONSTRUCTION METHODS ILLUSTRATED HERE ARE SUGGESTIONS AND APPLY ONLY TO NORMAL GROUND CONDITIONS. THERE MAY BE ADDITIONAL PRECAUTIONS AND/OR METHODS OF CONSTRUCTION. PROPER INSTALLATION IS THE RESPONSIBILITY OF THE DEALER/BUILDER/CONTRACTOR.

ENGINEERING DRAWING NUMBER: 00041754	WEIGHT: lbs	UNLESS OTHERWISE SPECIFIED DIMENSIONS ARE IN INCHES TOLERANCES DECIMALS: X ± .1 XX ± .01 XXX ± .001 XXXX ± .0005 ANGULAR: X ± 0.5 THIRD ANGLE PROJECTION 	DESIGNED BY: CHALL	CREATION DATE: 10/10/2019	SAMSON STEEL TITLE: LAYOUT, 10'X20' OVAL, HSSH27996, 1- AQUA GENIE, 850 SERIES	
	VOLUME: Inch ³		DETAILED BY: CHALL	DETAILED DATE: 4/9/2023		
	COLOR:		LAST REVISED BY: mrogers	LAST REVISED DATE: 3/18/2023		
	HEAT TREAT:		MATERIAL:	PART NUMBER: 00041754		
FINISH:	TEXTURE:				SCALE: 1:100	SIZE: A



ENGINEERING DRAWING NUMBER: 00041754	WEIGHT:	UNLESS OTHERWISE SPECIFIED DIMENSIONS ARE IN INCHES TOLERANCES DECIMALS: X ± .1 XX ± .01 XXX ± .001 XXXX ± .0005 ANGULAR: X ± 0.5 THIRD ANGLE PROJECTION 	DESIGNED BY:	CHALL	CREATION DATE:	10/10/2019	SAMSON STEEL		
	VOLUME:		DETAILED BY:	CHALL	DETAILED DATE:	4/9/2023			
	COLOR:		LAST REVISED BY:	mrogers	LAST REVISED DATE:	3/18/2023			
	HEAT TREAT:		MATERIAL:						
	FINISH:								
TEXTURE:					TITLE:	LAYOUT, 10'X20' OVAL, HSSH27996, 1- AQUA GENIE, 850 SERIES			
						PART NUMBER:	00041754	SCALE:	SIZE:
								1:100	A
								SHEET:	3 OF 4

REVISION HISTORY				
REV	DESCRIPTION	DATE	EDD	BY
A	ISSUE FOR CONSTRUCTION FROM SUBMITTAL TO THE OWNER	04/20/20		CHALL
B	ISSUE FOR CONSTRUCTION FROM SUBMITTAL TO THE OWNER	04/20/20		CHALL
C	ISSUE FOR CONSTRUCTION FROM SUBMITTAL TO THE OWNER	04/20/20		CHALL
D	ISSUE FOR CONSTRUCTION FROM SUBMITTAL TO THE OWNER	04/20/20		CHALL



- NOTES:**
- THESE ARE FINISHED DIMENSIONS READY FOR THE LINER.
 - DIMENSIONS ARE FROM INSIDE POOL PANELS.
 - ROPE AND FLOAT ASSEMBLY SHOULD BE INSTALLED IN ACCORDANCE WITH CURRENT ANSIA/SP/ICC REGULATIONS.
 - HYDRA LINER TRACK FOR STEPS IS INSTALLED WITH THE BARB FACING THE RISER WALL ON THE STEP.
- EXCAVATION NOTES:**
- ROUGH EXCAVATION SHOULD BE 2" DEEPER IN EACH INSTANCE.
 - SOIL TO HAVE MINIMUM BEARING CAPACITY OF 1500 PSF.
 - LOCATE TOP OF POOL AT LEAST 4" ABOVE THE SURROUNDING LAND ELEVATION.
 - SEE "OVER DIG DETAIL" FOR EXCAVATION AROUND POOL.
 - FILL VOIDS UNDER BASE OF PANELS AND TAMP WELL.
 - BACK FILL WITH NON-EXPANSIVE MATERIAL.
 - FOLLOW ALL CURRENT ANSIA/SP/ICC GUIDELINES FOR RESIDENTIAL POOLS.

IMPORTANT NOTES:

THIS DOCUMENT IS FOR ILLUSTRATIVE PURPOSES ONLY. THE DEALER OR CONTRACTOR WHO SELLS OR INSTALLS YOUR POOL IS AN INDEPENDENT CONTRACTOR AND IS NOT AN AGENT OF THE MANUFACTURER. THE CONSTRUCTION METHODS ILLUSTRATED HERE ARE SUGGESTIONS AND APPLY ONLY TO NORMAL GROUND CONDITIONS. THERE MAY BE ADDITIONAL PRECAUTIONS AND/OR METHODS OF CONSTRUCTION. PROPER INSTALLATION IS THE RESPONSIBILITY OF THE DEALER/BUILDER/CONTRACTOR.

ITEM	FILE NAME	DESCRIPTION	CUSTOMER DRAWING #	VENDOR PART #	QTY
1	00027998	ASSEMBLY, PANEL, STEP, 52 IN WALL, 4 TREAD LEFT SIDE	00027998		1
2	00028000	TREAD, STEP, 52 IN, TOP, 45.78" WIDE	00028000	00028000	1
3	00028001	TREAD, STEP, 52 IN, CENTER, 45.78" WIDE	00028001	00028001	3
4	00028002	TREAD, STEP, 52 IN, BOTTOM, 45.78" WIDE	00028002	00028002	1
5	00027997	ASSEMBLY, PANEL, STEP, 52 IN WALL, 4 TREAD, RIGHT SIDE	00027997		1
6	BOLT, PACK	BOLT, FLANGE, 3/8-16 X 1", PACK (50)	HPS1916	HPS1916	3

WEIGHT: Lbs. VOLUME: Inch ³ COLOR: HEAT TREAT: FINISH: TEXTURE:	UNLESS OTHERWISE SPECIFIED DIMENSIONS ARE IN INCHES TOLERANCES DECIMALS: X + .1 XX + .01 XXX + .001 XXXX + .0005 ANGULAR: X ± 0.5 THIRD ANGLE PROJECTION	DESIGNED BY: CHALL	CREATOR DATE: 10/10/2019	SAMSON STEEL TITLE: LAYOUT, 10'X20' OVAL, HSSH27996, 1'-AQUA GENIE, 850 SERIES PART NUMBER: 00041754		SCALE: 1/16"	SIZE: 4 OF 4
		DETAILS BY: CHALL	DETAIL DATE: 4/9/2023				
		LAST REVISED BY: mrogers	LAST REVISED DATE: 3/18/2023				
		MATERIAL:					