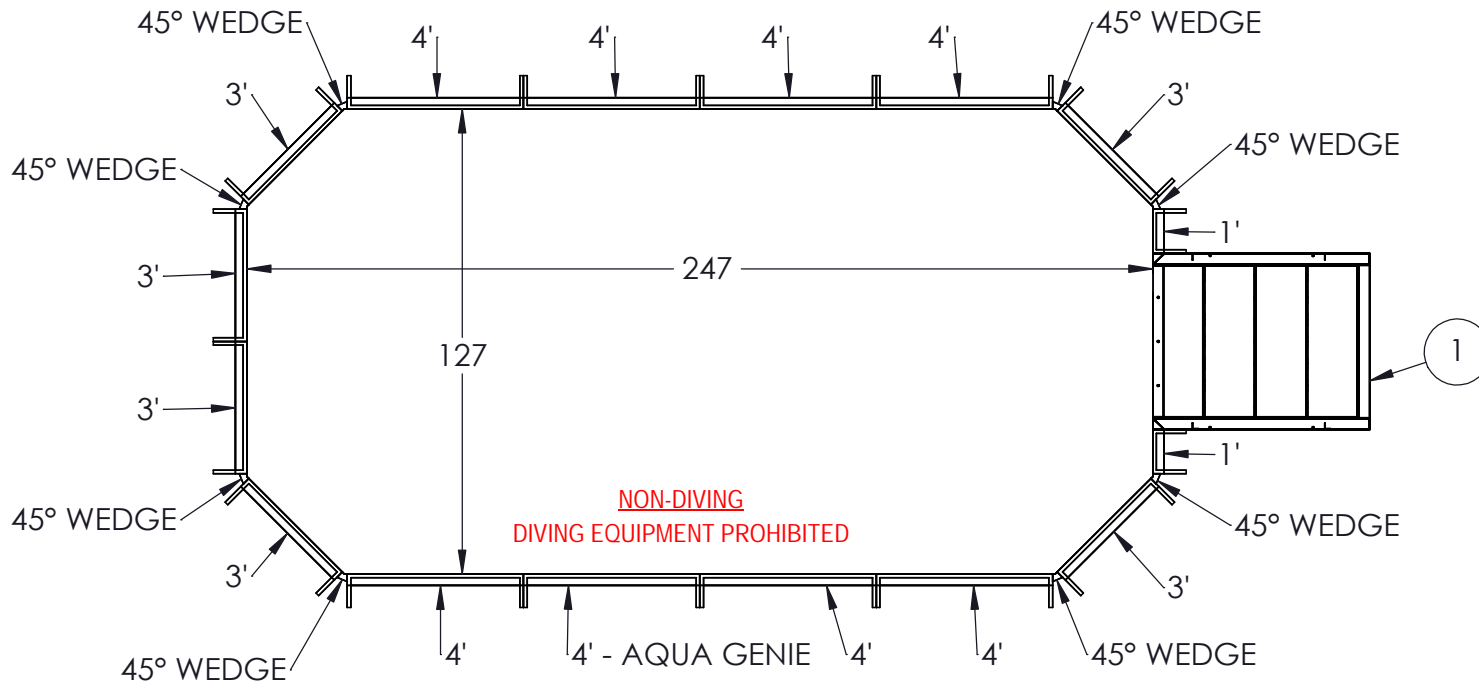


REVISION HISTORY				
REV	DESCRIPTION	DATE	ECO	BY
A	RELEASED FOR QUOTE	7/27/2019		RMILLER
B	UPDATED PER TICKET #886943	12/16/2022		MROUSEERS
C	UPDATED PER TICKET #886730	4/25/2023		LESSEX



**NOTES:**

- THESE ARE FINISHED DIMENSIONS READY FOR THE LINER.
- DIMENSIONS ARE FROM INSIDE POOL PANELS.
- ROPE AND FLOAT ASSEMBLY SHOULD BE INSTALLED IN ACCORDANCE WITH CURRENT ANSI/ASPS/ICC REGULATIONS
- HYDRA LINER TRACK FOR STEPS IS INSTALLED WITH THE BARB FACING THE RISER WALL ON THE STEP.

**EXCAVATION NOTES:**

- ROUGH EXCAVATION SHOULD BE 2" DEEPER IN EACH INSTANCE.
- SOIL TO HAVE MINIMUM BEARING CAPACITY OF 1500 PSF.
- LOCATE TOP OF POOL AT LEAST 6" ABOVE THE SURROUNDING LAND ELEVATION.
- SEE "OVER DIG DETAIL", IN INSTALLATION MANUAL, FOR EXCAVATION AROUND POOL.
- FILL VOIDS UNDER BASE OF PANELS AND TAMP WELL.
- BACK FILL WITH NON-EXPANSIVE MATERIAL.
- FOLLOW ALL CURRENT ANSI / APSP / ICC GUIDELINES FOR RESIDENTIAL POOLS

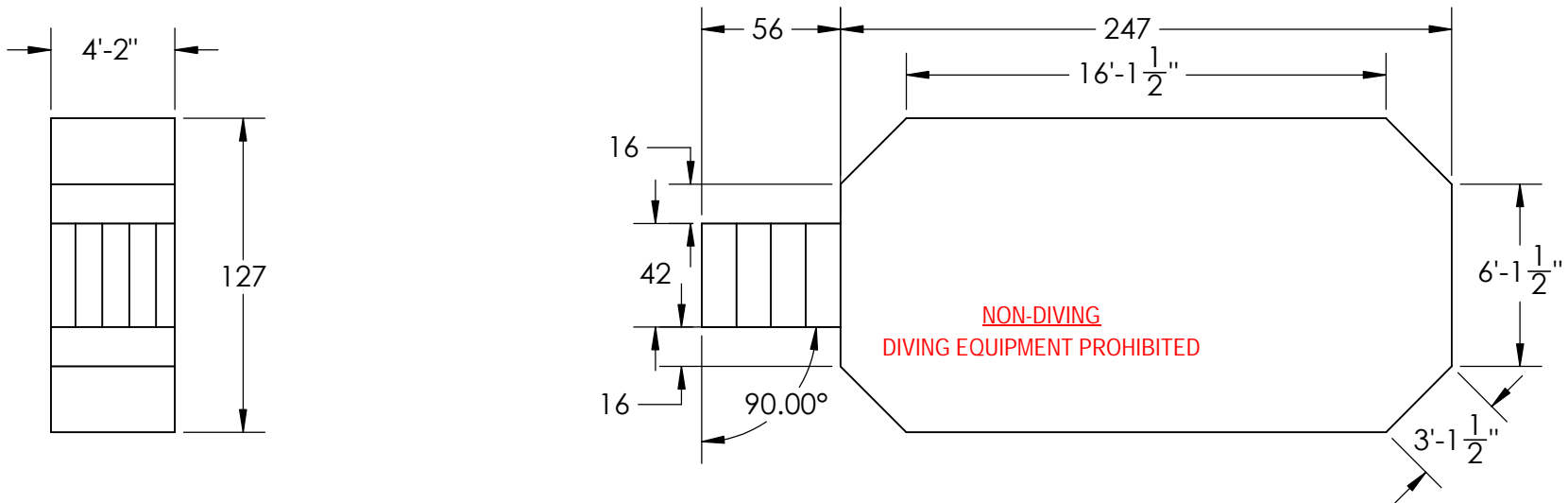
**IMPORTANT NOTES:**

THIS DOCUMENT IS FOR ILLUSTRATIVE PURPOSES ONLY. THE DEALER OR CONTRACTOR WHO SELLS OR INSTALLS YOUR POOL IS AN INDEPENDENT CONTRACTOR AND IS NOT AN AGENT OF THE MANUFACTURER. THE CONSTRUCTION METHODS ILLUSTRATED HERE ARE SUGGESTIONS AND APPLY ONLY TO NORMAL GROUND CONDITIONS. THERE MAY BE ADDITIONAL PRECAUTIONS AND/OR METHODS OF CONSTRUCTION. PROPER INSTALLATION IS THE RESPONSIBILITY OF THE DEALER/BUILDER/CONTRACTOR.

ITEM	FILE NAME	DESCRIPTION	CUSTOMER DRAWING #	VENDOR PART #	QTY.
1	00028023	ASSEMBLY, STEP, 52" WALL, 4" TREAD, 4" WIDE, 90° CORNER	HSSH28023		1
2	BOLT, PACK	BOLT, FLANGE, 3/8-16 X 1", PACK (50)	HPS1916	HPS1916	8
3	52IN, BRACE	BRACE, BUTTRESS, 52", 850 SERIES	HPSHTRIBRC	00025945	21
4	52IN PANEL, STRAIGHT	PANEL, 3' LONG, 850 SERIES	HPSH103P	00025940	6
5	52IN PANEL, STRAIGHT	PANEL, 4' LONG, 850 SERIES	HPSH104P	00025308	7
6	52IN PANEL, STRAIGHT	PANEL, 4' LONG, AQUA GENIE, 850 SERIES	HPSH104AG	00027234	1
7	52IN PANEL, STRAIGHT	PANEL, 1' LONG, 850 SERIES	HPSH101P	00027620	21
8	STAKE	STAKE, 14 GA	HPSSTAKE	00003484	2
9	52IN, GRECIAN WEDGE	WEDGE, 52IN GRECIAN	HPSH45	00028361	8

ENGINEERING DRAWING NUMBER: <b>00041340</b>	WEIGHT: lbs	<b>UNLESS OTHERWISE SPECIFIED</b> DIMENSIONS ARE IN INCHES TOLERANCES DECIMALS: X ± .1 XX ± .01 XXX ± .001 XXXX ± .0005  ANGULAR: X ± 0.5 THIRD ANGLE PROJECTION	DESIGNED BY: <b>RMILLER</b>	CREATION DATE: 10/10/2019	<b>SAMSON STEEL</b>
	VOLUME: Inch <sup>3</sup>		DETAILED BY: <b>RMILLER</b>	DETAILED DATE: 4/25/2023	
	COLOR:		LAST REVISED BY: <b>lessex</b>	LAST REVISED DATE: 4/25/2023	
	HEAT TREAT:		MATERIAL:		
FINISH:			TITLE: LAYOUT, 10'7" X 20'7", GRECIAN, HSSF27996, 1- 1084, 1-INLET, 850 SERIES		
TEXTURE:			PART NUMBER: <b>00041340</b>		SCALE: 1:100 SHEET: 1 OF 3
					<b>A</b>

DRAWING NUMBER: 00041340  
MADE FROM: 00041340  
CHECK IN DATE/TIME: Thursday, April 26, 2023 7:47:29 AM



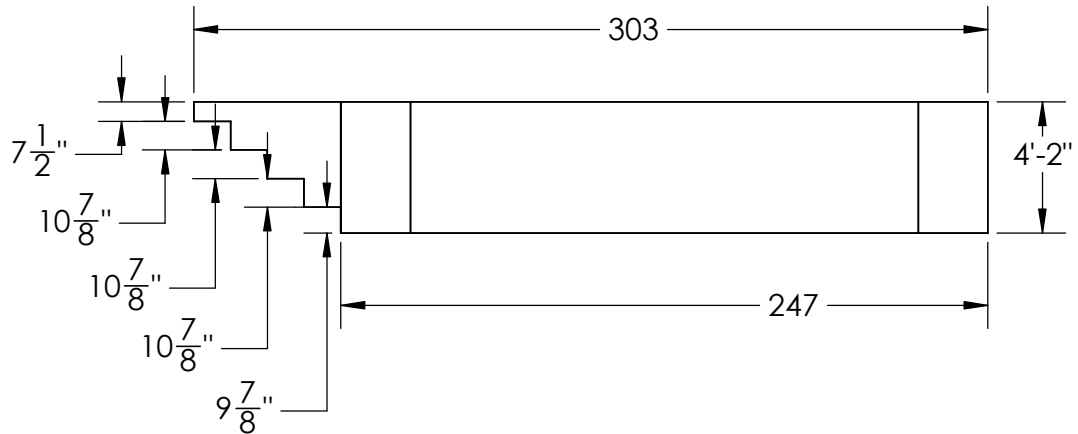
AREA		PERIMETER	VOLUME
SQ. FT.	FT.		U.S. GALLONS
223.11	66.33		6688.98

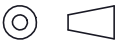
- NOTES:**
1. THESE ARE FINISHED DIMENSIONS READY FOR THE LINER.
  2. DIMENSIONS ARE FROM INSIDE POOL PANELS.
  3. ROPE AND FLOAT ASSEMBLY SHOULD BE INSTALLED IN ACCORDANCE WITH CURRENT ANSI/ASPS/ICC REGULATIONS
  4. HYDRA LINER TRACK FOR STEPS IS INSTALLED WITH THE BARB FACING THE RISER WALL ON THE STEP.

- EXCAVATION NOTES:**
5. ROUGH EXCAVATION SHOULD BE 2" DEEPER IN EACH INSTANCE.
  6. SOIL TO HAVE MINIMUM BEARING CAPACITY OF 1500 PSF.
  7. LOCATE TOP OF POOL AT LEAST 6" ABOVE THE SURROUNDING LAND ELEVATION.
  8. SEE "OVER DIG DETAIL", IN INSTALLATION MANUAL, FOR EXCAVATION AROUND POOL.
  9. FILL VOIDS UNDER BASE OF PANELS AND TAMP WELL.
  10. BACK FILL WITH NON-EXPANSIVE MATERIAL.
  11. FOLLOW ALL CURRENT ANSI / APSP / ICC GUIDELINES FOR RESIDENTIAL POOLS

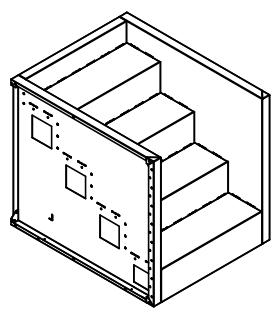
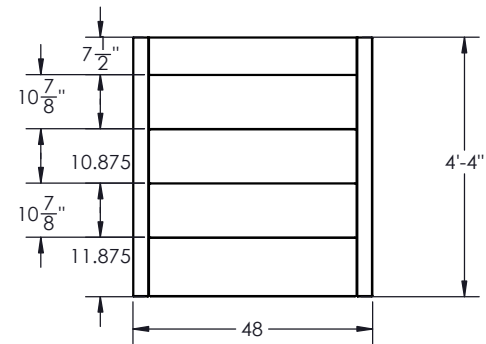
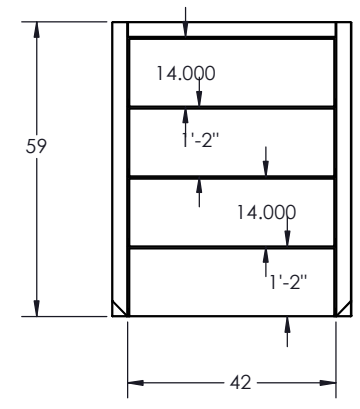
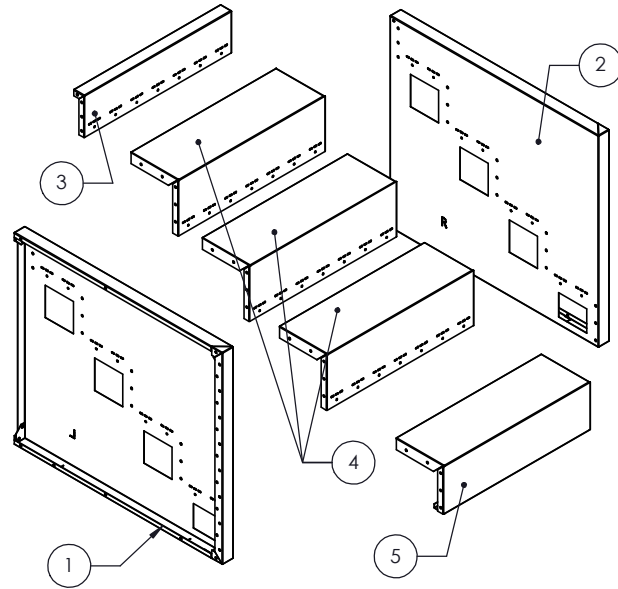
**IMPORTANT NOTES:**

THIS DOCUMENT IS FOR ILLUSTRATIVE PURPOSES ONLY. THE DEALER OR CONTRACTOR WHO SELLS OR INSTALLS YOUR POOL IS AN INDEPENDENT CONTRACTOR AND IS NOT AN AGENT OF THE MANUFACTURER. THE CONSTRUCTION METHODS ILLUSTRATED HERE ARE SUGGESTIONS AND APPLY ONLY TO NORMAL GROUND CONDITIONS. THERE MAY BE ADDITIONAL PRECAUTIONS AND/OR METHODS OF CONSTRUCTION. PROPER INSTALLATION IS THE RESPONSIBILITY OF THE DEALER/BUILDER/CONTRACTOR.



ENGINEERING DRAWING NUMBER: <b>00041340</b>	<b>WEIGHT:</b> lbs	<b>UNLESS OTHERWISE SPECIFIED</b> DIMENSIONS ARE IN INCHES TOLERANCES DECIMALS: X ± .1 XX ± .01 XXX ± .001 XXXX ± .0005  ANGULAR: X ± 0.5 THIRD ANGLE PROJECTION 	DESIGNED BY: <b>RMILLER</b>	CREATION DATE: 10/10/2019	<b>SAMSON STEEL</b>
	<b>VOLUME:</b> Inch <sup>3</sup>		DETAILED BY: <b>RMILLER</b>	DETAILED DATE: 4/25/2023	
	COLOR:		LAST REVISED BY: lessex	LAST REVISED DATE: 4/25/2023	
	HEAT TREAT:		MATERIAL:	TITLE: LAYOUT, 10'7" X 20'7", GRECIAN, HSSF27996, 1- 1084, 1-INLET, 850 SERIES	
FINISH:	PART NUMBER: <b>00041340</b>	SCALE: 1:100	SIZE: <b>A</b>		
TEXTURE:		SHEET: 2 OF 3			

REVISION HISTORY				
REV	DESCRIPTION	DATE	BY	APP
1	ISSUED FOR PRELIMINARY REVIEW	4/28/23	RMILLER	MMILLERS
2	REVISION FOR PRELIMINARY REVIEW	6/22/23	MMILLERS	MMILLERS
3	ISSUED FOR PRELIMINARY REVIEW	11/22/23	MMILLERS	MMILLERS
4	REVISION FOR PRELIMINARY REVIEW	12/22/23	MMILLERS	MMILLERS



- NOTES:**
- THESE ARE FINISHED DIMENSIONS READY FOR THE LINER.
  - DIMENSIONS ARE FROM INSIDE POOL PANELS.
  - ROPE AND FLOAT ASSEMBLY SHOULD BE INSTALLED IN ACCORDANCE WITH CURRENT ANSIS/ASPCA REGULATIONS.
  - HYDRA LINER TRACK FOR STEPS IS INSTALLED WITH THE BARB FACING THE RISER WALL ON THE STEP.
- EXCAVATION NOTES:**
- ROUGH EXCAVATION SHOULD BE 2" DEEPER IN EACH INSTANCE.
  - SOIL TO HAVE MINIMUM BEARING CAPACITY OF 1500 PSF.
  - LOCATE TOP OF POOL AT LEAST 4" ABOVE THE SURROUNDING LAND ELEVATION.
  - SEE "OVER DIG DETAIL" FOR EXCAVATION AROUND POOL.
  - FILL VOIDS UNDER BASE OF PANELS AND TAMP WELL.
  - BACK FILL WITH NON-EXPANSIVE MATERIAL.
  - FOLLOW ALL CURRENT ANSIS / ASPA / ICC GUIDELINES FOR RESIDENTIAL POOLS.

**IMPORTANT NOTES:**

THIS DOCUMENT IS FOR ILLUSTRATIVE PURPOSES ONLY. THE DEALER OR CONTRACTOR WHO SELLS OR INSTALLS YOUR POOL IS AN INDEPENDENT CONTRACTOR AND IS NOT AN AGENT OF THE MANUFACTURER. THE CONSTRUCTION METHODS ILLUSTRATED HERE ARE SUGGESTIONS AND APPLY ONLY TO NORMAL GROUND CONDITIONS. THERE MAY BE ADDITIONAL PRECAUTIONS AND/OR METHODS OF CONSTRUCTION. PROPER INSTALLATION IS THE RESPONSIBILITY OF THE DEALER/BUILDER/CONTRACTOR.

ITEM	FILE NAME	DESCRIPTION	CUSTOMER DRAWING #	VENDOR PART #	QTY
1	00027998	ASSEMBLY, PANEL, STEP, 52 IN WALL, 4 TREAD, LEFT SIDE	00027998		1
2	00027997	ASSEMBLY, PANEL, STEP, 52 IN WALL, 4 TREAD, RIGHT SIDE	00027997		1
3	00028022	TREAD, STEP, 52 IN, TOP, 41.78" WIDE	00028022	00028022	1
4	00028024	TREAD, STEP, 52 IN, CENTER, 41.78" WIDE	00028024	00028024	3
5	00028025	TREAD, STEP, 52 IN, BOTTOM, 41.78" WIDE	00028025	00028025	1
6	BOLT, PACK	(BOLT, FLANGE, 3/8-16 X 1", PACK (50)	HP51916	HP51916	3

DRAWING NUMBER: <b>00041340</b>	<b>UNLESS OTHERWISE SPECIFIED</b> DIMENSIONS ARE IN INCHES TOLERANCES DECIMALS: X + .1 XX + .01 XXX + .001 XXXX + .0005 FINISH: TEXTURE:	DESIGNED BY: <b>RMILLER</b> ESTABLISHED DATE: <b>4/25/2023</b> LAST REVISED BY: <b>RMILLER</b> LAST REVISED DATE: <b>4/25/2023</b> MATERIAL:	CREATOR DATE: <b>10/10/2019</b> TITLE: <b>LAYOUT, 10'7" X 20'7", GRECIAN, HSSF27996, 1'-1084, 1'-INLET, 850 SERIES</b>	
	WEIGHT: Lbs. VOLUME: Inch <sup>3</sup> COLOR: HEAT TREAT: FINISH: TEXTURE:	ANGULAR: X ± 0.5 THIRD ANGLE PROJECTION 	PART NUMBER: <b>HSSH28023</b>	SCALE: 1:16 SHEET: 3 OF 3
	SAMSON STEEL			SIZE: <b>B</b>
	C:\PDM\2023\Hydra Pools\Layouts, Pool, On-Ground\00041340			