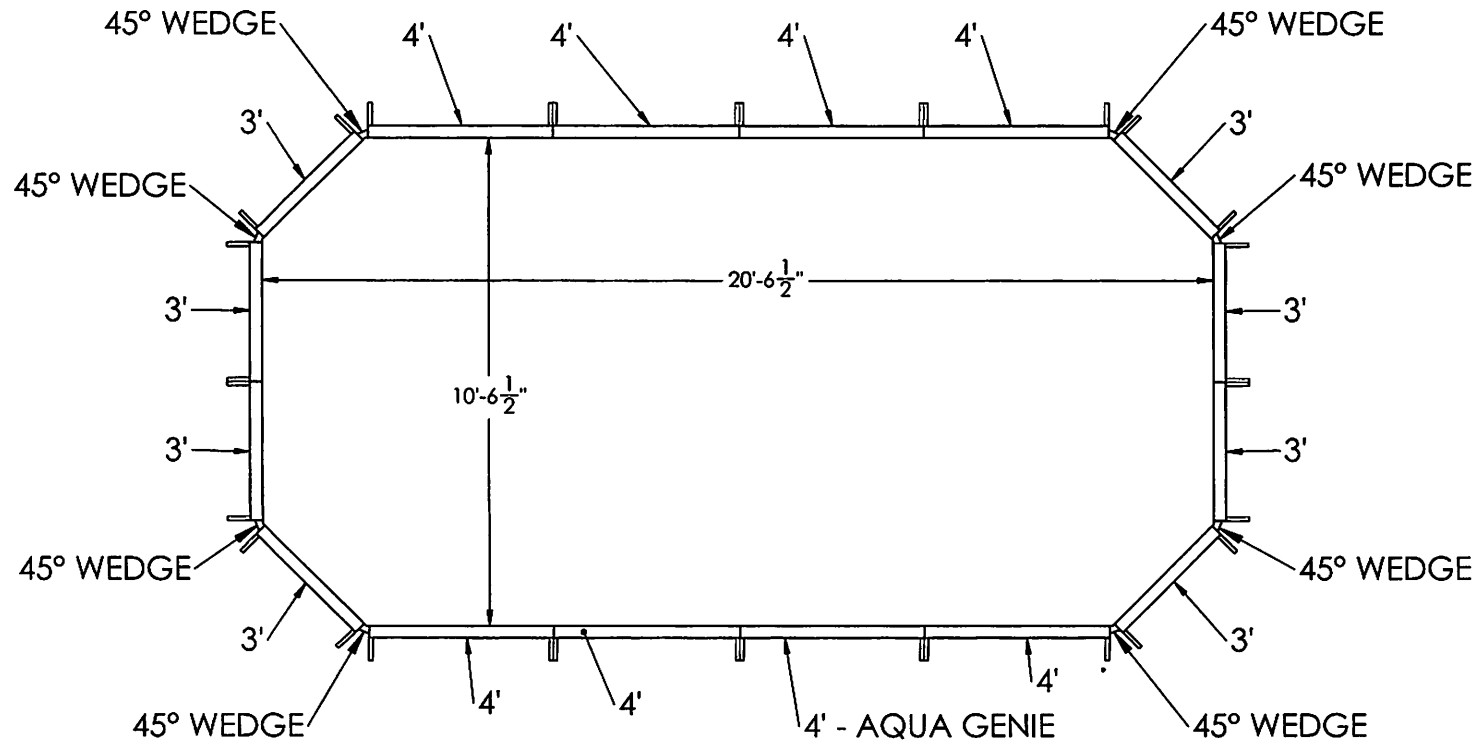


REVISION HISTORY				
REV	DESCRIPTION	DATE	ECO	BY
A	RELEASED FOR QUOTE	11/3/2022		RMILLER
B	UPDATED PER TICKET #857853	11/3/2022		JESSEX



**NOTES:**

1. THESE ARE FINISHED DIMENSIONS READY FOR THE LINER.
2. DIMENSIONS ARE FROM INSIDE POOL PANELS.
3. ROPE AND FLOAT ASSEMBLY SHOULD BE INSTALLED IN ACCORDANCE WITH CURRENT ANSI/APSP/ICC REGULATIONS
4. HYDRA LINER TRACK FOR STEPS IS INSTALLED WITH THE BARB FACING THE RISER WALL ON THE STEP.

**EXCAVATION NOTES:**

5. ROUGH EXCAVATION SHOULD BE 2" DEEPER IN EACH INSTANCE.
6. SOIL TO HAVE MINIMUM BEARING CAPACITY OF 1500 PSF.
7. LOCATE TOP OF POOL AT LEAST 6" ABOVE THE SURROUNDING LAND ELEVATION.
8. SEE "OVER DIG DETAIL", IN INSTALLATION MANUAL, FOR EXCAVATION AROUND POOL.
9. FILL VOIDS UNDER BASE OF PANELS AND TAMP WELL.
10. BACK FILL WITH NON-EXPANSIVE MATERIAL.
11. FOLLOW ALL CURRENT ANSI / APSP / ICC GUIDELINES FOR RESIDENTIAL POOLS

**IMPORTANT NOTES:**

THIS DOCUMENT IS FOR ILLUSTRATIVE PURPOSES ONLY. THE DEALER OR CONTRACTOR WHO SELLS OR INSTALLS YOUR POOL IS AN INDEPENDENT CONTRACTOR AND IS NOT AN AGENT OF THE MANUFACTURER. THE CONSTRUCTION METHODS ILLUSTRATED HERE ARE SUGGESTIONS AND APPLY ONLY TO NORMAL GROUND CONDITIONS. THERE MAY BE ADDITIONAL PRECAUTIONS AND/OR METHODS OF CONSTRUCTION. PROPER INSTALLATION IS THE RESPONSIBILITY OF THE DEALER/BUILDER/CONTRACTOR.

ITEM	FILE NAME	DESCRIPTION	CUSTOMER DRAWING #	VENDOR PART #	QTY.
1	BOLT, PACK	BOLT, FLANGE, 3/8-16 X 1", PACK (50)	HPS1916	HPS1916	10
2	52IN, BRACE	BRACE, BUTTRESS, 52", 850 SERIES	HPSHTRIBRC	00025945	24
3	52IN PANEL, STRAIGHT	PANEL, 3' LONG, 850 SERIES	HPSH103P	00025940	8
4	52IN PANEL, STRAIGHT	PANEL, 4' LONG, 850 SERIES	HPSH104P	00025308	7
5	52IN PANEL, STRAIGHT	PANEL, 4' LONG, AQUA GENIE, 850 SERIES	HPSH104AG	00027234	1
6	STAKE	STAKE, 14 GA	HPSSTAKE	00003484	24
7	52IN, GRECIAN WEDGE	WEDGE, 52IN GRECIAN	HPSH45	00028361	8

ENGINEERING DRAWING NUMBER: <b>00043074</b>	WEIGHT lbs	<b>UNLESS OTHERWISE SPECIFIED</b> DIMENSIONS ARE IN INCHES TOLERANCES DECIMALS: X ± XX ± XXX ± XXXX ±  ANGULAR: X ± 0.5 THIRD ANGLE PROJECTION	DESIGNED BY: <b>RMILLER</b>	CREATION DATE: <b>10/10/2019</b>	<b>SAMSON STEEL</b>	
	VOLUME: Inch³		DETAILED BY: <b>bfoutz</b>	DETAILED DATE:		
	COLOR:		LAST REVISED BY: <b>rmiller</b>	LAST REVISED DATE: <b>11/3/2022</b>		
	HEAT TREAT:		MATERIAL:	TITLE: <b>LAYOUT, 10'7" X 20'7", GRECIAN, 1- AQUA GENIE, 850 SERIES</b>		
FINISH:				PART NUMBER: <b>00043074</b>	SCALE: 1:100	SIZE: A
TEXTURE:					SHEET: 1 OF 1	

URBORN NUMBER: MADE FROM: CHECK IN DATE/TIME: Thursday, November 3, 2022 4:27:53 PM