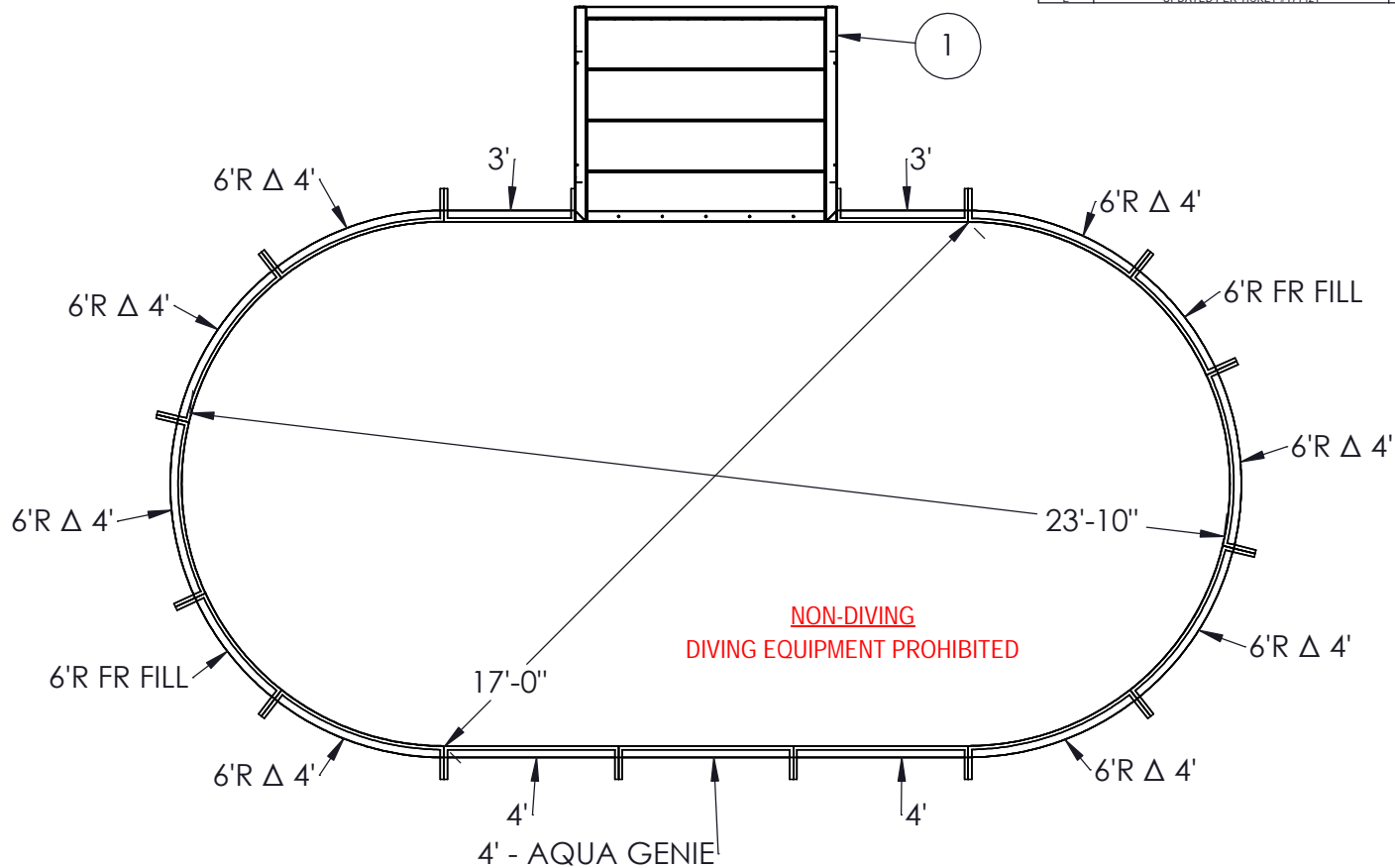


REVISION HISTORY				
REV.	DESCRIPTION	DATE	ECO	BY
A	RELEASED FOR QUOTE	3/11/2022		CHALL
B	CHANGED TO 90° CORNERS	12/12/2022		MROGERS
C	UPDATED PER TICKET #293519	12/14/2022		JESSEY
D	UPDATED BRACES PER 859709	12/19/22		MWILLIAMS
E	UPDATED PER TICKET #171421	3/18/2023		MROGERS



NOTES:

- THESE ARE FINISHED DIMENSIONS READY FOR THE LINER.
- DIMENSIONS ARE FROM INSIDE POOL PANELS.
- ROPE AND FLOAT ASSEMBLY SHOULD BE INSTALLED IN ACCORDANCE WITH CURRENT ANSII/ASPS/ICC REGULATIONS
- HYDRA LINER TRACK FOR STEPS IS INSTALLED WITH THE BARB FACING THE RISER WALL ON THE STEP.

EXCAVATION NOTES:

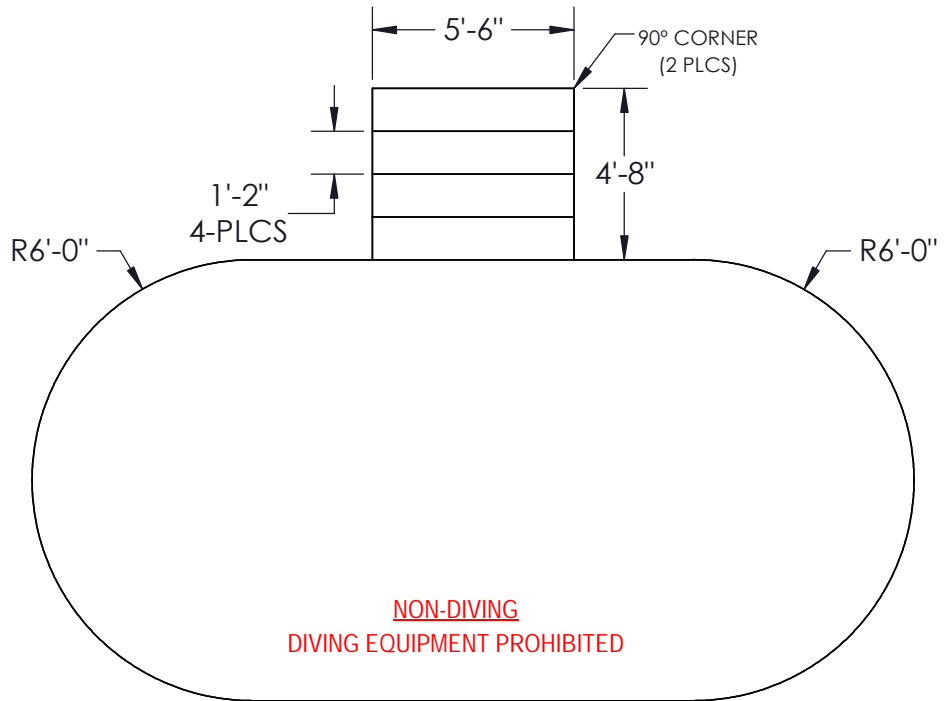
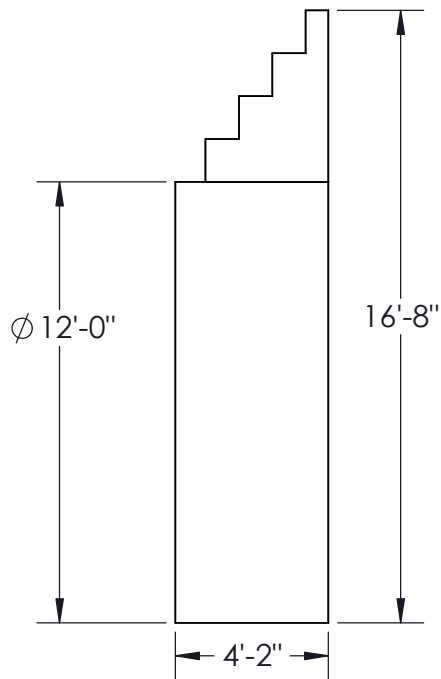
- ROUGH EXCAVATION SHOULD BE 2" DEEPER IN EACH INSTANCE.
- SOIL TO HAVE MINIMUM BEARING CAPACITY OF 1500 PSF.
- LOCATE TOP OF POOL AT LEAST 6" ABOVE THE SURROUNDING LAND ELEVATION.
- FILL VOIDS UNDER BASE OF PANELS AND TAMP WELL.
- BACK FILL WITH NON-EXPANSIVE MATERIAL.
- FOLLOW ALL CURRENT ANSII / APSP / ICC GUIDELINES FOR RESIDENTIAL POOLS

IMPORTANT NOTES:

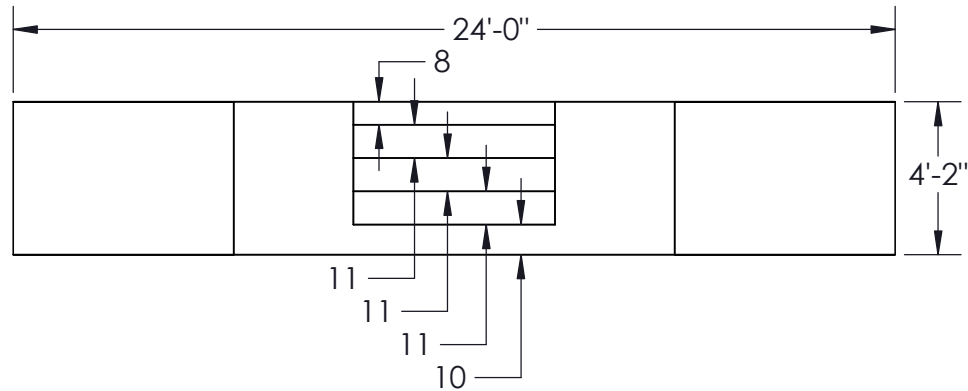
THIS DOCUMENT IS FOR ILLUSTRATIVE PURPOSES ONLY. THE DEALER OR CONTRACTOR WHO SELLS OR INSTALLS YOUR POOL IS AN INDEPENDENT CONTRACTOR AND IS NOT AN AGENT OF THE MANUFACTURER. THE CONSTRUCTION METHODS ILLUSTRATED HERE ARE SUGGESTIONS AND APPLY ONLY TO NORMAL GROUND CONDITIONS. THERE MAY BE ADDITIONAL PRECAUTIONS AND/OR METHODS OF CONSTRUCTION. PROPER INSTALLATION IS THE RESPONSIBILITY OF THE DEALER/BUILDER/CONTRACTOR.

ITEM	FILE NAME	DESCRIPTION	CUSTOMER DRAWING #	VENDOR PART #	QTY.
1	00027996	ASSEMBLY, STEP, 52 IN WALL, 4 TREAD, 6' WIDE, 90° CORNER	HSSH27996		1
2	BOLT, PACK	BOLT, FLANGE, 3/8-16 X 1", PACK (50)	HPS1916	HPS1916	7
3	52IN, BRACE	BRACE, BUTTRESS, 52", 850 SERIES	HPSHTRIBRC	00025945	16
5	52IN PANEL, STRAIGHT	PANEL, 3' LONG, 850 SERIES	HPSH103P	00025940	2
6	52IN PANEL, STRAIGHT	PANEL, 4' LONG, 850 SERIES	HPSH104P	00025308	2
7	52IN PANEL, STRAIGHT	PANEL, 4' LONG, AQUA GENIE, 850 SERIES	HPSH104AG	00027234	1
8	52 IN PANEL, RADIUS	PANEL, 6' RADIUS, 4' LONG, 850 SERIES	HPSH6R4	00027688	8
9	52 IN PANEL, RADIUS	PANEL, 6' RADIUS, FULL RADIUS FILL, 850 SERIES	HPSH6R21019	00027722	2
10	STAKE	STAKE, 14 GA	HPSSTAKE	00003484	16

ENGINEERING DRAWING NUMBER: 00041766	WEIGHT: lbs	UNLESS OTHERWISE SPECIFIED DIMENSIONS ARE IN INCHES TOLERANCES DECIMALS: X ± .1 XX ± .01 XXX ± .001 XXXX ± .0005 ANGULAR: X ± 0.5 THIRD ANGLE PROJECTION	DESIGNED BY: CHALL	CREATION DATE: 10/10/2019	SAMSON STEEL	
	VOLUME: Inch ³		DETAILED BY: CHALL	DETAILED DATE: 4/9/2023		
	COLOR:		LAST REVISED BY: mrogers	LAST REVISED DATE: 3/18/2023		
	HEAT TREAT:		MATERIAL:	TITLE: LAYOUT, 12'X24' OVAL, HSSH27996, 1-AQUA GENIE, 850 SERIES		
FINISH:				PART NUMBER:	SCALE: 1:100	SIZE: A
TEXTURE:					00041766	1 OF 4



AREA		PERIMETER	VOLUME
SQ. FT.	FT.		U.S. GALLONS
282.58	70.61		8392.78



NOTES:

- THESE ARE FINISHED DIMENSIONS READY FOR THE LINER.
- DIMENSIONS ARE FROM INSIDE POOL PANELS.
- ROPE AND FLOAT ASSEMBLY SHOULD BE INSTALLED IN ACCORDANCE WITH CURRENT ANSI/ASPS/ICC REGULATIONS
- HYDRA LINER TRACK FOR STEPS IS INSTALLED WITH THE BARB FACING THE RISER WALL ON THE STEP.

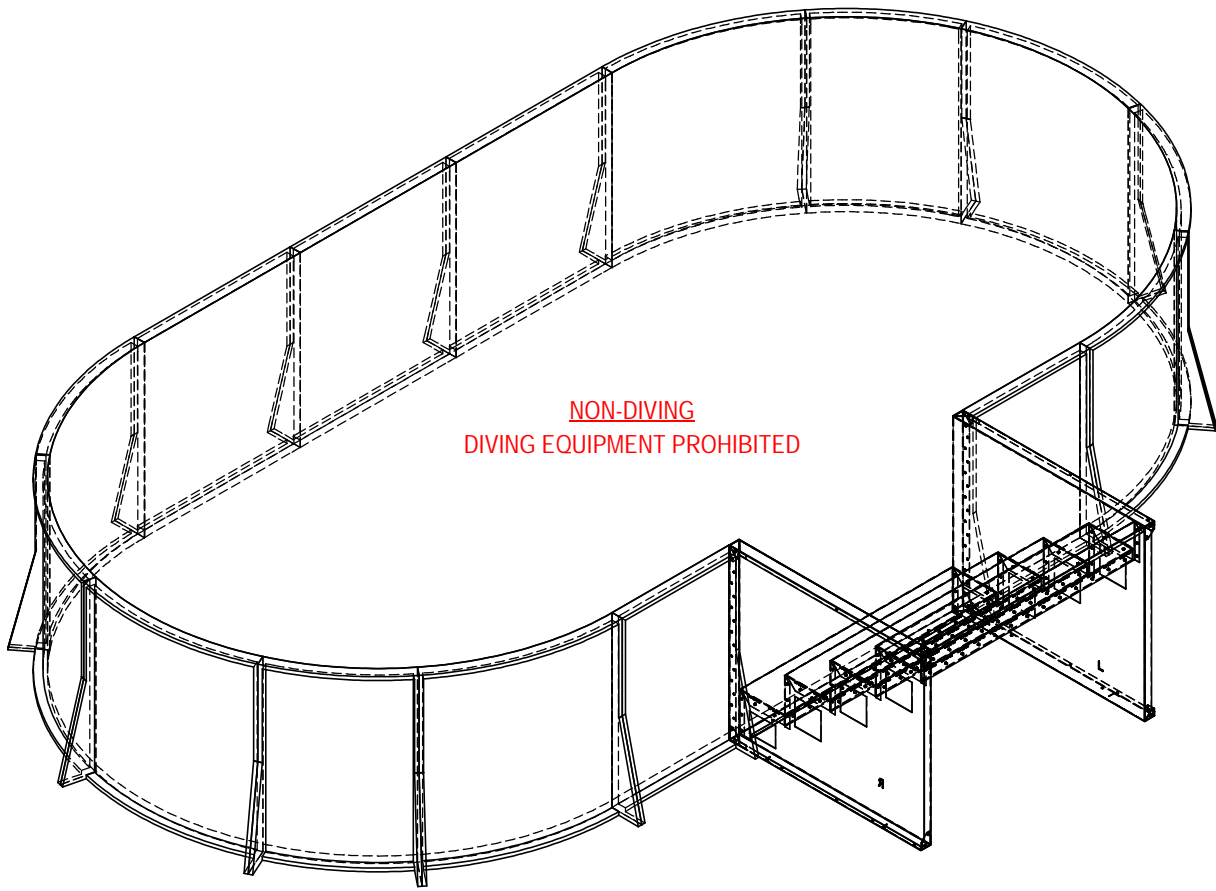
EXCAVATION NOTES:


- ROUGH EXCAVATION SHOULD BE 2" DEEPER IN EACH INSTANCE.
- SOIL TO HAVE MINIMUM BEARING CAPACITY OF 1500 PSF.
- LOCATE TOP OF POOL AT LEAST 6" ABOVE THE SURROUNDING LAND ELEVATION.
- SEE "OVER DIG DETAIL", IN INSTALLATION MANUAL, FOR EXCAVATION AROUND POOL.
- FILL VOIDS UNDER BASE OF PANELS AND TAMP WELL.
- BACK FILL WITH NON-EXPANSIVE MATERIAL.
- FOLLOW ALL CURRENT ANSI / APSP / ICC GUIDELINES FOR RESIDENTIAL POOLS

IMPORTANT NOTES:

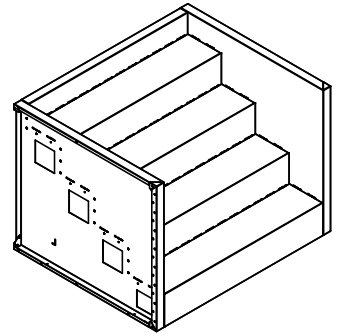
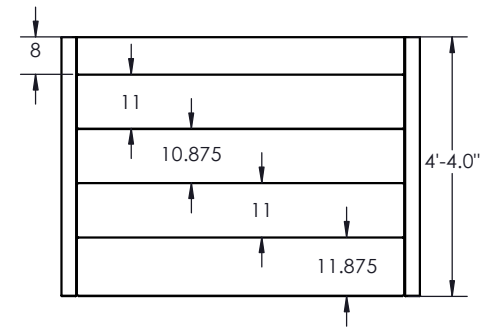
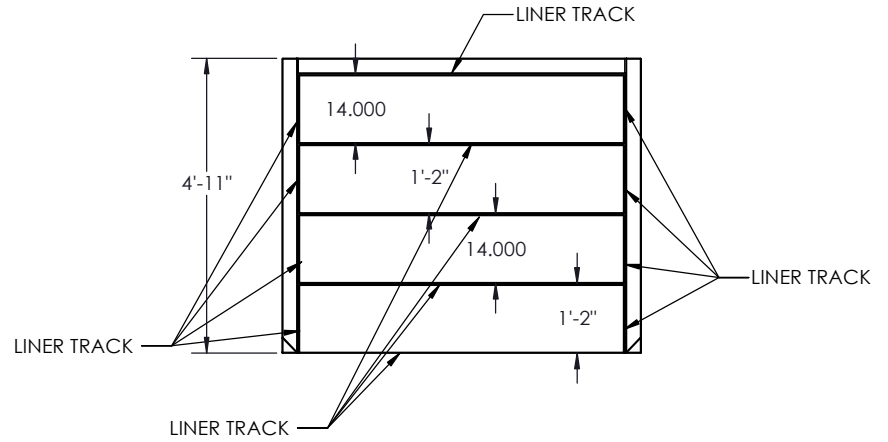
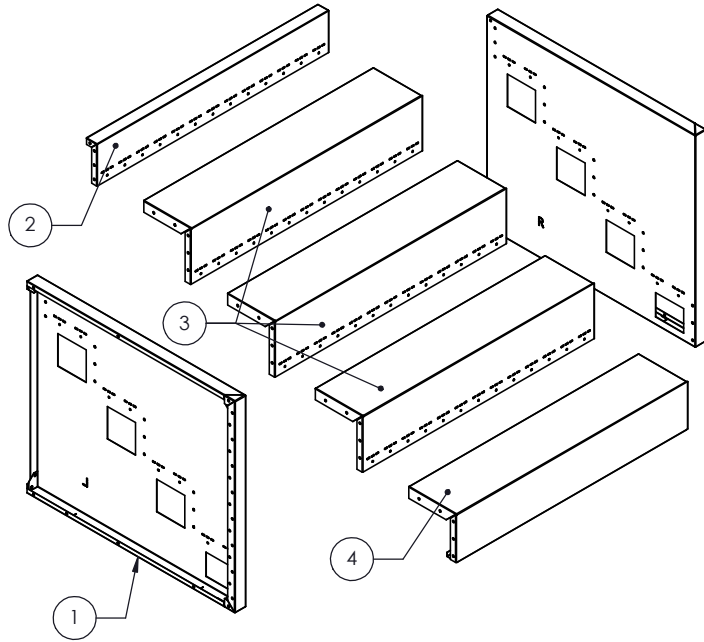
THIS DOCUMENT IS FOR ILLUSTRATIVE PURPOSES ONLY. THE DEALER OR CONTRACTOR WHO SELLS OR INSTALLS YOUR POOL IS AN INDEPENDENT CONTRACTOR AND IS NOT AN AGENT OF THE MANUFACTURER. THE CONSTRUCTION METHODS ILLUSTRATED HERE ARE SUGGESTIONS AND APPLY ONLY TO NORMAL GROUND CONDITIONS. THERE MAY BE ADDITIONAL PRECAUTIONS AND/OR METHODS OF CONSTRUCTION. PROPER INSTALLATION IS THE RESPONSIBILITY OF THE DEALER/BUILDER/CONTRACTOR.

ENGINEERING DRAWING NUMBER 00041766	WEIGHT: lbs	UNLESS OTHERWISE SPECIFIED DIMENSIONS ARE IN INCHES TOLERANCES DECIMALS: X ± .1 XX ± .01 XXX ± .001 XXXX ± .0005 ANGULAR: X ± 0.5 THIRD ANGLE PROJECTION 	DESIGNED BY: CHALL	CREATION DATE: 10/10/2019	SAMSON STEEL TITLE: LAYOUT, 12'X24' OVAL, HSSH27996, 1-AQUA GENIE, 850 SERIES PART NUMBER: <div style="font-size: 2em; font-weight: bold;">00041766</div>
	VOLUME: Inch ³		DETAILED BY: CHALL	DETAILED DATE: 4/9/2023	
	COLOR:		LAST REVISED BY: mrogers	LAST REVISED DATE: 3/18/2023	
	HEAT TREAT:		MATERIAL:	SCALE: 1:100	
FINISH:					SIZE: A
TEXTURE:					SHEET: 2 OF 4



ENGINEERING DRAWING NUMBER: 00041766	WEIGHT:	UNLESS OTHERWISE SPECIFIED DIMENSIONS ARE IN INCHES TOLERANCES DECIMALS: X ± .1 XX ± .01 XXX ± .001 XXXX ± .0005 ANGULAR: X ± 0.5 THIRD ANGLE PROJECTION 	DESIGNED BY:	CREATION DATE:	SAMSON STEEL TITLE: LAYOUT, 12'X24' OVAL, HSSH27996, 1-AQUA GENIE, 850 SERIES PART NUMBER: 00041766
	VOLUME:		CHALL	10/10/2019	
	COLOR:		DETAILED BY:	4/9/2023	
	HEAT TREAT:		LAST REVISED BY:	3/18/2023	
	FINISH:		mrogers		
TEXTURE:	MATERIAL:				SCALE: 1:100
					SIZE: A
					SHEET: 3 OF 4

REVISION HISTORY				
REV	DESCRIPTION	DATE	EDD	BY
A	ISSUE FOR CONSTRUCTION FROM SUBMITTAL TO THE OWNER	07/29/2015		CHALL
B	ISSUE FOR CONSTRUCTION FROM SUBMITTAL TO THE OWNER	07/29/2015		CHALL
C	ISSUE FOR CONSTRUCTION FROM SUBMITTAL TO THE OWNER	11/02/2015		CHALL
D	REWORK FOR CONSTRUCTION	12/02/15		WALLACE



- NOTES:**
1. THESE ARE FINISHED DIMENSIONS READY FOR THE LINER.
 2. DIMENSIONS ARE FROM INSIDE POOL PANELS.
 3. ROPE AND FLOAT ASSEMBLY SHOULD BE INSTALLED IN ACCORDANCE WITH CURRENT ANSIA/SP/ICC REGULATIONS.
 4. HYDRA LINER TRACK FOR STEPS IS INSTALLED WITH THE BARB FACING THE RISER WALL ON THE STEP.
- EXCAVATION NOTES:**
5. ROUGH EXCAVATION SHOULD BE 2" DEEPER IN EACH INSTANCE.
 6. SOIL TO HAVE MINIMUM BEARING CAPACITY OF 1500 PSF.
 7. LOCATE TOP OF POOL AT LEAST 4" ABOVE THE SURROUNDING LAND ELEVATION.
 8. SEE "OVER DIG DETAIL" FOR EXCAVATION AROUND POOL.
 9. FILL VOIDS UNDER BASE OF PANELS AND TAMP WELL.
 10. BACK FILL WITH NON-EXPANSIVE MATERIAL.
 11. FOLLOW ALL CURRENT ANSIA/SP/ICC GUIDELINES FOR RESIDENTIAL POOLS.

IMPORTANT NOTES:

THIS DOCUMENT IS FOR ILLUSTRATIVE PURPOSES ONLY. THE DEALER OR CONTRACTOR WHO SELLS OR INSTALLS YOUR POOL IS AN INDEPENDENT CONTRACTOR AND IS NOT AN AGENT OF THE MANUFACTURER. THE CONSTRUCTION METHODS ILLUSTRATED HERE ARE SUGGESTIONS AND APPLY ONLY TO NORMAL GROUND CONDITIONS. THERE MAY BE ADDITIONAL PRECAUTIONS AND/OR METHODS OF CONSTRUCTION. PROPER INSTALLATION IS THE RESPONSIBILITY OF THE DEALER/BUILDER/CONTRACTOR.

ITEM	FILE NAME	DESCRIPTION	CUSTOMER DRAWING #	VENDOR PART #	QTY
1	00027998	ASSEMBLY, PANEL, STEP, 52 IN WALL, 4 TREAD LEFT SIDE	00027998		1
2	00028000	TREAD, STEP, 52 IN, TOP, 45.78" WIDE	00028000	00028000	1
3	00028001	TREAD, STEP, 52 IN, CENTER, 45.78" WIDE	00028001	00028001	3
4	00028002	TREAD, STEP, 52 IN, BOTTOM, 45.78" WIDE	00028002	00028002	1
5	00027997	ASSEMBLY, PANEL, STEP, 52 IN WALL, 4 TREAD, RIGHT SIDE	00027997		1
6	BOLT, PACK	BOLT, FLANGE, 3/8-16 X 1", PACK (50)	HPS1916	HPS1916	3

00041766 PART NUMBER	UNLESS OTHERWISE SPECIFIED DIMENSIONS ARE IN INCHES TOLERANCES DECIMALS: X + .1 XX + .01 XXX + .001 XXXX + .0005 ANGULAR: X ± 0.5 THIRD ANGLE PROJECTION	DESIGNED BY: CHALL DATE: 10/10/2019 DRAWN BY: CHALL DATE: 4/9/2023 LAST REVISED BY: mrogers DATE: 3/18/2023	CREATOR DATE: 10/10/2019 TITLE: LAYOUT, 12'X24' OVAL, HSSH27996, 1-AQUA GENIE, 850 SERIES	
	WEIGHT: _____ LBS VOLUME: _____ CU FT COLOR: _____ HEAT TREAT: _____ FINISH: _____ TEXTURE: _____	MATERIAL: _____	PART NUMBER: 00041766	SCALE: 1/16 SHEET: 4 OF 4
	SAMSON STEEL		B	
	THIS DOCUMENT IS FOR ILLUSTRATIVE PURPOSES ONLY. THE DEALER OR CONTRACTOR WHO SELLS OR INSTALLS YOUR POOL IS AN INDEPENDENT CONTRACTOR AND IS NOT AN AGENT OF THE MANUFACTURER. THE CONSTRUCTION METHODS ILLUSTRATED HERE ARE SUGGESTIONS AND APPLY ONLY TO NORMAL GROUND CONDITIONS. THERE MAY BE ADDITIONAL PRECAUTIONS AND/OR METHODS OF CONSTRUCTION. PROPER INSTALLATION IS THE RESPONSIBILITY OF THE DEALER/BUILDER/CONTRACTOR.		B	