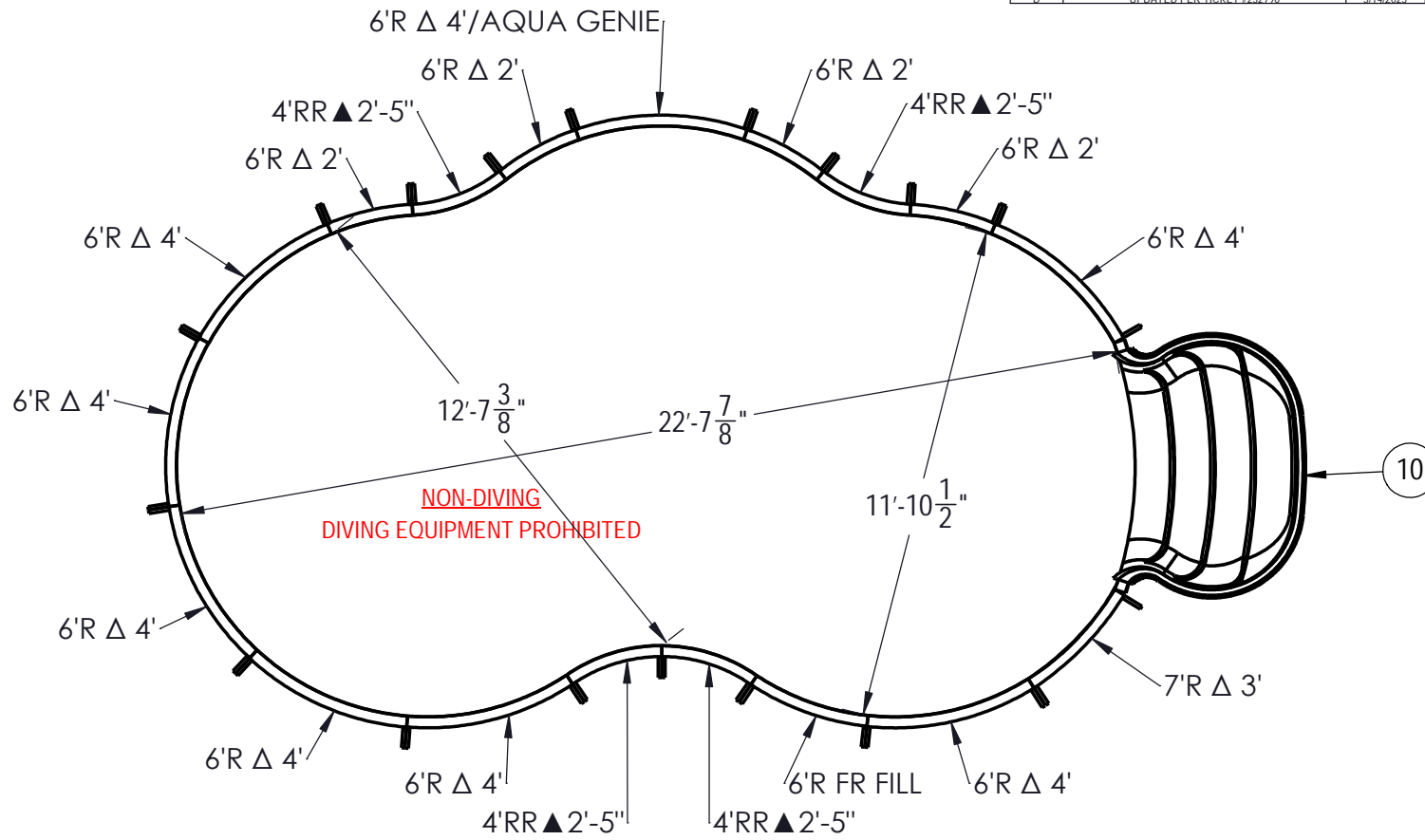


REVISION HISTORY				
REV.	DESCRIPTION	DATE	ECO	BY
A	RELEASED FOR QUOTE	12/6/2022		MROGERS
B	UPDATE ANGLE PANELS	1/22/2023		CFRHAUF
C	ADDED DIGS	1/13/2023		CFRHAUF
D	UPDATED PER TICKET #232790	3/14/2023		MROGERS



NOTES:

1. THESE ARE FINISHED DIMENSIONS READY FOR THE LINER.
2. DIMENSIONS ARE FROM INSIDE POOL PANELS.
3. ROPE AND FLOAT ASSEMBLY SHOULD BE INSTALLED IN ACCORDANCE WITH CURRENT ANSI/ASPS/ICC REGULATIONS
4. HYDRA LINER TRACK FOR STEPS IS INSTALLED WITH THE BARB FACING THE RISER WALL ON THE STEP.

EXCAVATION NOTES:

5. ROUGH EXCAVATION SHOULD BE 2" DEEPER IN EACH INSTANCE.
6. SOIL TO HAVE MINIMUM BEARING CAPACITY OF 1500 PSF.
7. LOCATE TOP OF POOL AT LEAST 6" ABOVE THE SURROUNDING LAND ELEVATION.
8. SEE "OVER DIG DETAIL", IN INSTALLATION MANUAL, FOR EXCAVATION AROUND POOL.
9. FILL VOIDS UNDER BASE OF PANELS AND TAMP WELL.
10. BACK FILL WITH NON-EXPANSIVE MATERIAL.
11. FOLLOW ALL CURRENT ANSI / APSP / ICC GUIDELINES FOR RESIDENTIAL POOLS

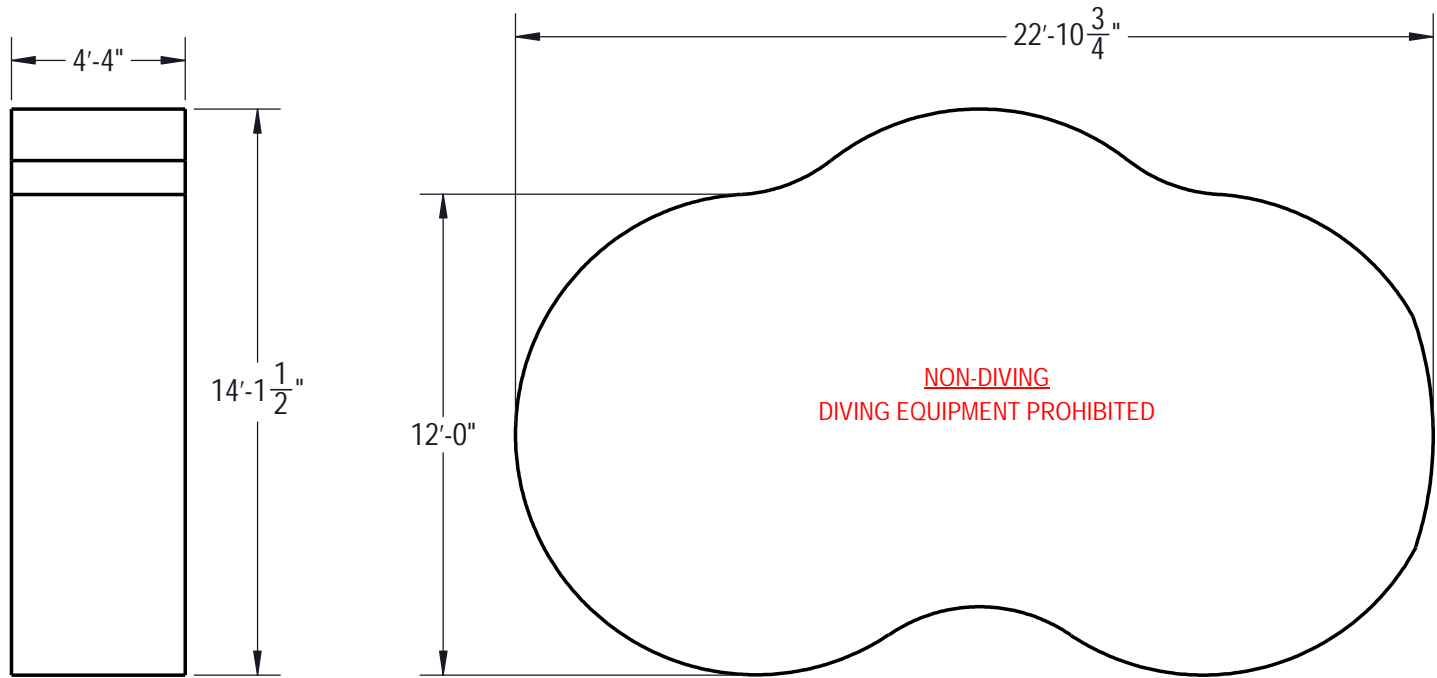
IMPORTANT NOTES:

THIS DOCUMENT IS FOR ILLUSTRATIVE PURPOSES ONLY. THE DEALER OR CONTRACTOR WHO SELLS OR INSTALLS YOUR POOL IS AN INDEPENDENT CONTRACTOR AND IS NOT AN AGENT OF THE MANUFACTURER. THE CONSTRUCTION METHODS ILLUSTRATED HERE ARE SUGGESTIONS AND APPLY ONLY TO NORMAL GROUND CONDITIONS. THERE MAY BE ADDITIONAL PRECAUTIONS AND/OR METHODS OF CONSTRUCTION. PROPER INSTALLATION IS THE RESPONSIBILITY OF THE DEALER/BUILDER/CONTRACTOR.

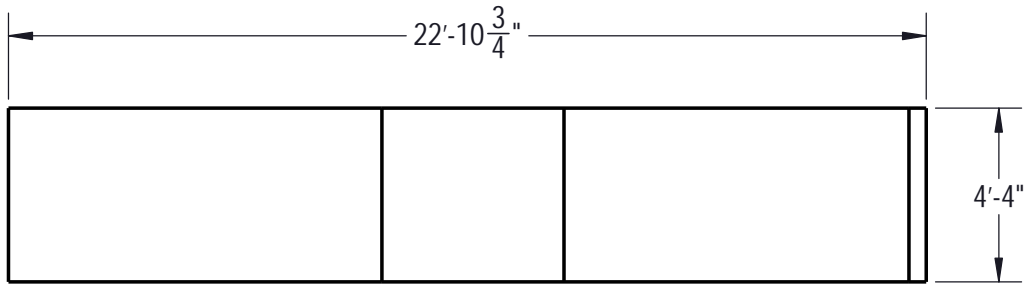
ITEM	FILE NAME	DESCRIPTION	CUSTOMER DRAWING #	VENDOR PART #	QTY.
1	BOLT, PACK	BOLT, FLANGE, 3/8-16 X 1", PACK (50)	HPST916	HPST916	8
2	52IN, BRACE	BRACE, BUTTRESS, 52", 850 SERIES	HPSHTRIBRC	00025945	19
3	52IN PANEL, RR	PANEL, 4' REVERSE RADIUS, 2'-5.00' LONG, 850 SERIES	HPSH4RR250	00027943	4
4	52 IN PANEL, RADIUS	PANEL, 6' RADIUS, 2' LONG, 850 SERIES	HPSH6R2	00027705	4
5	52 IN PANEL, RADIUS	PANEL, 6' RADIUS, 4' LONG, 850 SERIES	HPSH6R4	00027688	7
6	52 IN PANEL, RADIUS	PANEL, 6' RADIUS, 4' LONG, AQUA GENIE, 850 SERIES	HPSH6R4AG	00046576	1
7	52 IN PANEL, RADIUS	PANEL, 6' RADIUS, FULL RADIUS FILL, 850 SERIES	HPSH6R21019	00027722	1
8	52 IN PANEL, RADIUS	PANEL, 7' RADIUS, 3' LONG, 850 SERIES	HPSH7R3	00041368	1
9	STAKE	STAKE, 14 GA	HPSTAKE	00003484	19
10	HSS11NG	STEP, 6' RADIUS, 4 TREAD, 52 IN WALL, BULLNOSE, GRAY	HS511NG	HS511NG	1

ENGINEERING DRAWING NUMBER: 00047005	WEIGHT: lbs	UNLESS OTHERWISE SPECIFIED DIMENSIONS ARE IN INCHES TOLERANCES DECIMALS: X ± .1 XX ± .01 XXX ± .001 XXXX ± .0005 ANGULAR: X ± 0.5 THIRD ANGLE PROJECTION	DESIGNED BY: MROGERS	CREATION DATE: 10/25/2019	SAMSON STEEL
	VOLUME: Inch ³		DETAILED BY: MROGERS	DETAILED DATE: 3/14/2023	
	COLOR:		LAST REVISED BY: mrogers	LAST REVISED DATE: 3/14/2023	
	HEAT TREAT:		MATERIAL:		
FINISH:					TITLE: LAYOUT, 12' X 23', LAGOON, HS511NG, 1-AQUA GENIE, 850 SERIES
TEXTURE:					PART NUMBER: 00047005
					SCALE: 1:96 SHEET: 1 OF 4 SIZE: A

DRAWING NUMBER: 00047005
MADE FROM: CHECK IN DATE TIME: Thursday, March 14, 2023 4:41:41 PM



AREA	PERIMETER	VOLUME
SQ. FT.	FT.	U.S. GALLONS
247.04	61.16	8141.91



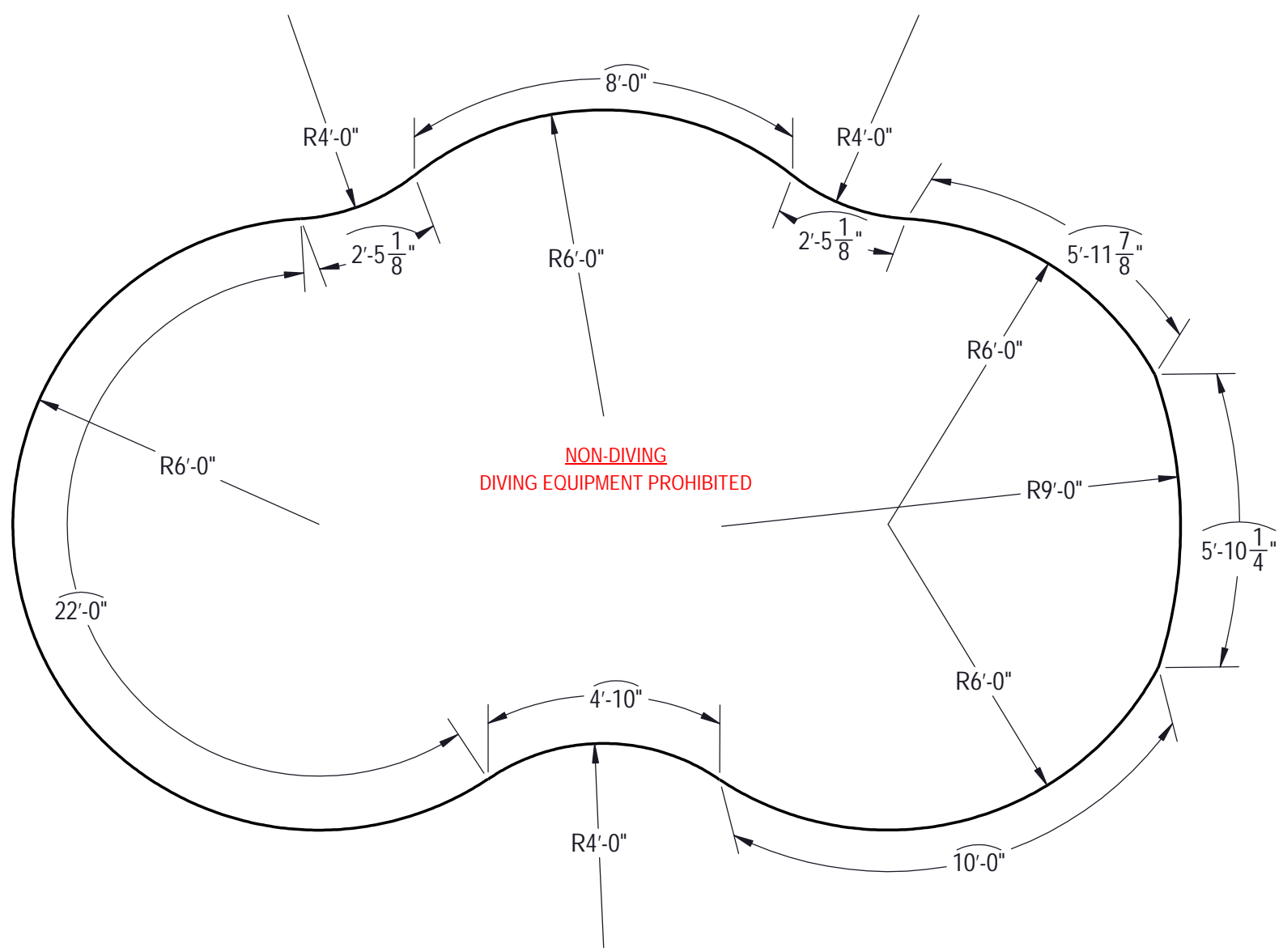
- NOTES:**
- THESE ARE FINISHED DIMENSIONS READY FOR THE LINER.
 - DIMENSIONS ARE FROM INSIDE POOL PANELS.
 - ROPE AND FLOAT ASSEMBLY SHOULD BE INSTALLED IN ACCORDANCE WITH CURRENT ANSI/APSP/ICC REGULATIONS
 - HYDRA LINER TRACK FOR STEPS IS INSTALLED WITH THE BARB FACING THE RISER WALL ON THE STEP.

- EXCAVATION NOTES:**
- ROUGH EXCAVATION SHOULD BE 2" DEEPER IN EACH INSTANCE.
 - SOIL TO HAVE MINIMUM BEARING CAPACITY OF 1500 PSF.
 - LOCATE TOP OF POOL AT LEAST 6" ABOVE THE SURROUNDING LAND ELEVATION.
 - SEE "OVER DIG DETAIL", IN INSTALLATION MANUAL, FOR EXCAVATION AROUND POOL.
 - FILL VOIDS UNDER BASE OF PANELS AND TAMP WELL.
 - BACK FILL WITH NON-EXPANSIVE MATERIAL.
 - FOLLOW ALL CURRENT ANSI / APSP / ICC GUIDELINES FOR RESIDENTIAL POOLS

IMPORTANT NOTES:

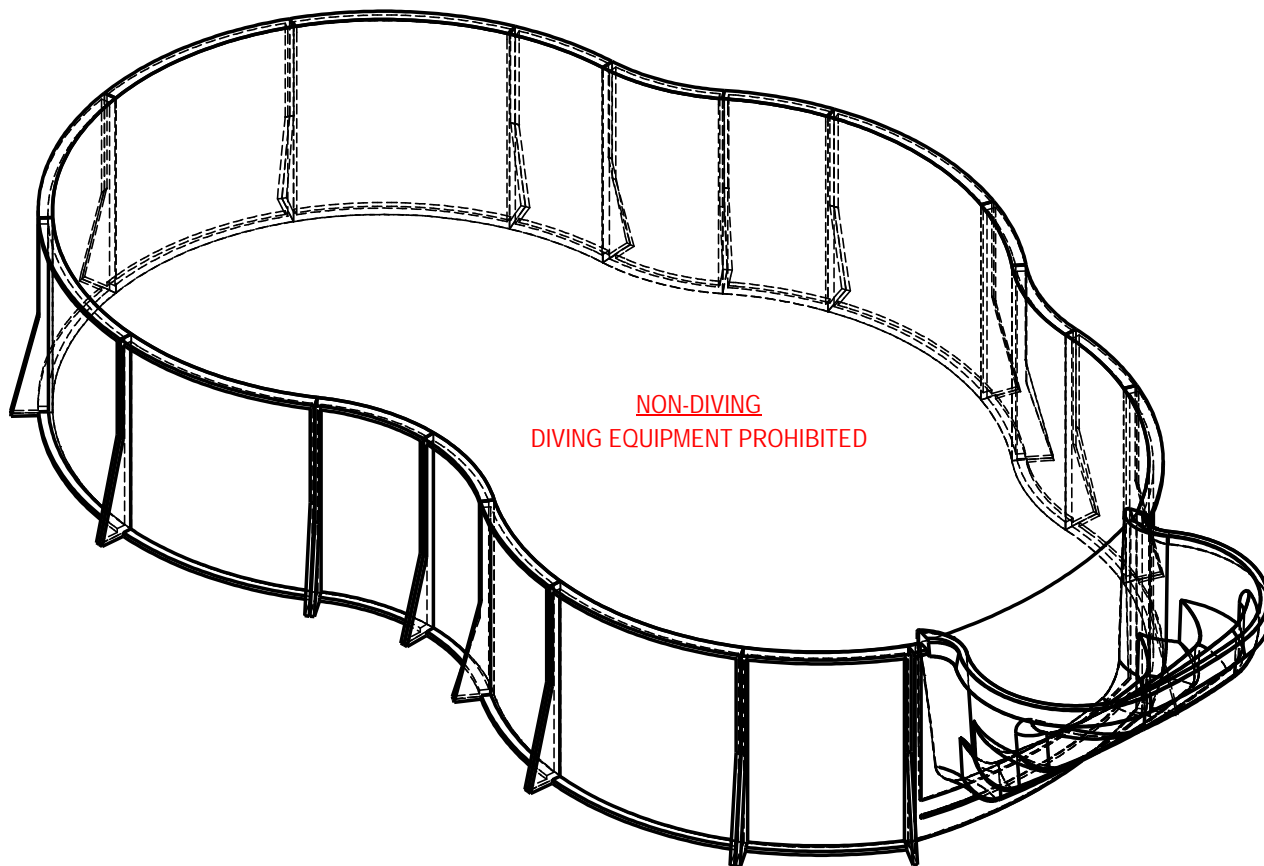
THIS DOCUMENT IS FOR ILLUSTRATIVE PURPOSES ONLY. THE DEALER OR CONTRACTOR WHO SELLS OR INSTALLS YOUR POOL IS AN INDEPENDENT CONTRACTOR AND IS NOT AN AGENT OF THE MANUFACTURER. THE CONSTRUCTION METHODS ILLUSTRATED HERE ARE SUGGESTIONS AND APPLY ONLY TO NORMAL GROUND CONDITIONS. THERE MAY BE ADDITIONAL PRECAUTIONS AND/OR METHODS OF CONSTRUCTION. PROPER INSTALLATION IS THE RESPONSIBILITY OF THE DEALER/BUILDER/CONTRACTOR.

ENGINEERING DRAWING NUMBER: 00047005	WEIGHT: lbs 8141.91 Inch ³	UNLESS OTHERWISE SPECIFIED DIMENSIONS ARE IN INCHES TOLERANCES DECIMALS: X ± .1 XX ± .01 XXX ± .001 XXXX ± .0005 ANGULAR: X ± 0.5 THIRD ANGLE PROJECTION 	DESIGNED BY: MROGERS	CREATION DATE: 1/3/2012	SAMSON STEEL		
	COLOR:		DETAILED BY: MROGERS	DETAILED DATE: 3/14/2023			
	HEAT TREAT:		LAST REVISED BY: mrogers	LAST REVISED DATE: 3/14/2023			
	FINISH:		MATERIAL:				
TEXTURE:	TITLE: LAYOUT, 12' X 23', LAGOON, HS511NG, 1-AQUA GENIE, 850 SERIES		SIZE: A	SHEET: 2 OF 4	SCALE: 1:96	PART NUMBER: 00047005	REV D




**NON-DIVING
 DIVING EQUIPMENT PROHIBITED**

ENGINEERING DRAWING NUMBER: 00047005	WEIGHT:	UNLESS OTHERWISE SPECIFIED DIMENSIONS ARE IN INCHES TOLERANCES DECIMALS: X ± .1 XX ± .01 XXX ± .001 XXXX ± .0005 ANGULAR: X ± 0.5 THIRD ANGLE PROJECTION	DESIGNED BY:	CREATION DATE:	SAMSON STEEL			
	VOLUME:		MROGERS	1/3/2012				
	COLOR:		MROGERS	DETAILED DATE:	TITLE: LAYOUT, 12' X 23', LAGOON, HS511NG, 1-AQUA GENIE, 850 SERIES			
	HEAT TREAT:		mrogers	LAST REVISED DATE:				3/14/2023
FINISH:	MATERIAL:	SIZE:		SHEET:	SCALE:	PART NUMBER:	00047005	REV D
TEXTURE:		A	3 OF 4	1:96	00047005			



NON-DIVING
DIVING EQUIPMENT PROHIBITED

ENGINEERING DRAWING NUMBER: 00047005	WEIGHT:	UNLESS OTHERWISE SPECIFIED DIMENSIONS ARE IN INCHES TOLERANCES DECIMALS: X ± .1 XX ± .01 XXX ± .001 XXXX ± .0005 ANGULAR: X ± 0.5 THIRD ANGLE PROJECTION 	DESIGNED BY:	CREATION DATE:	SAMSON STEEL			
	VOLUME:		MROGERS	10/25/2019				
	COLOR:		DETAILED BY:	MROGERS	3/14/2023	TITLE: LAYOUT, 12' X 23', LAGOON, HS511NG, 1-AQUA GENIE, 850 SERIES		
	HEAT TREAT:		LAST REVISED BY:	mrogers	3/14/2023			
FINISH:	MATERIAL:							
TEXTURE:			SIZE:	SHEET:	SCALE:	PART NUMBER:	REV	
			A	4 OF 4	1:96	00047005	D	