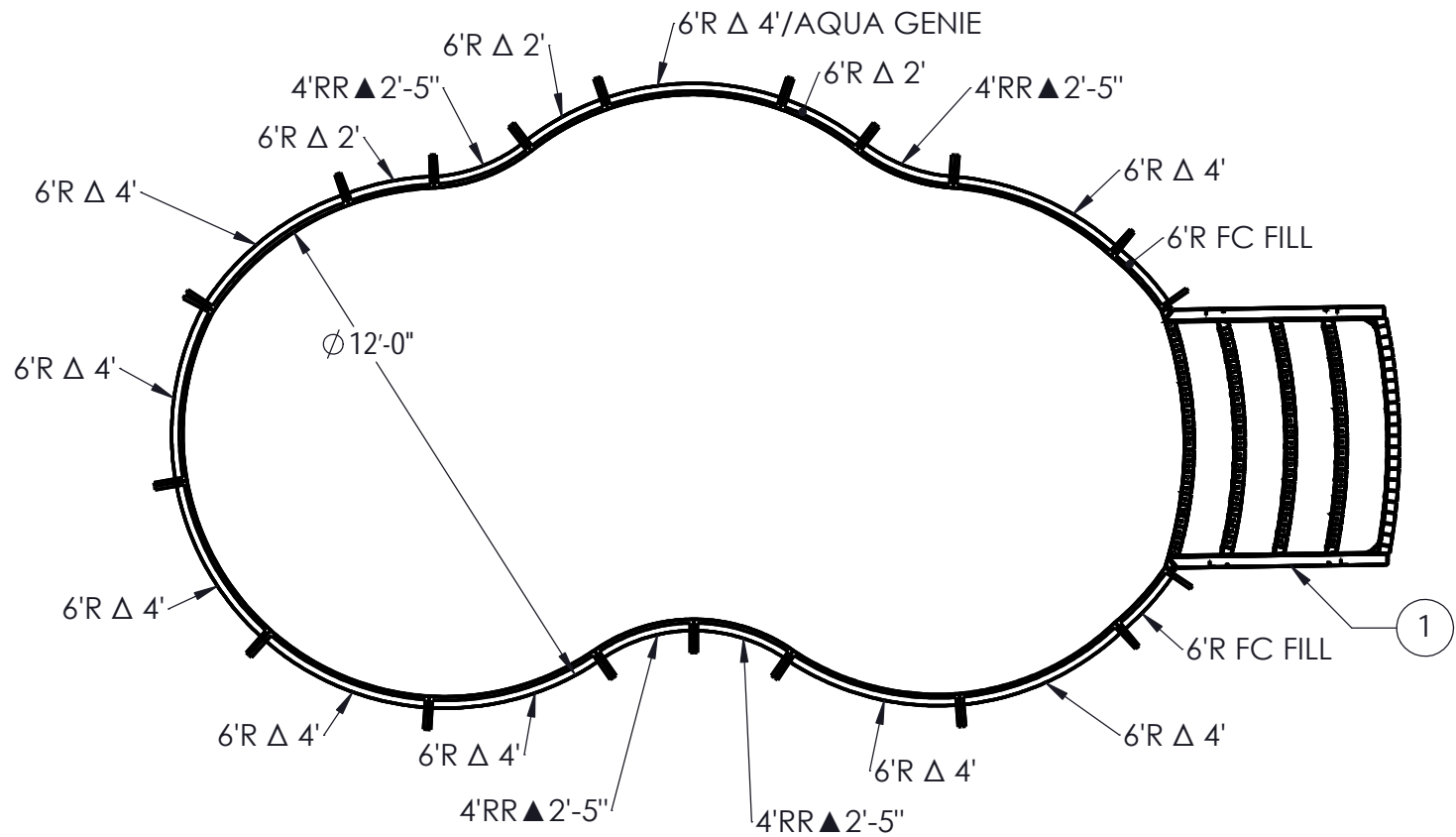
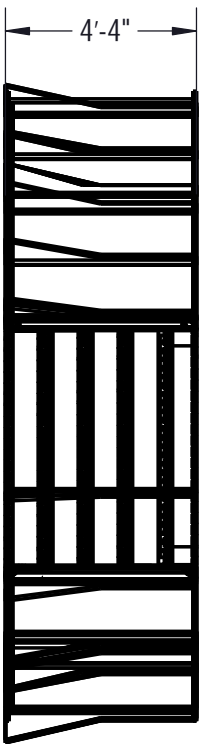


REVISION HISTORY				
REV	DESCRIPTION	DATE	ECO	BY
A	RELEASED FOR QUOTE	2/23/2022		RMILLER
B	UPDATED PER TICKET #414806	12/14/2022		JESSEX
C	UPDATED PER TICKET #780948	3/26/2023		JESSEX



**NOTES:**

1. THESE ARE FINISHED DIMENSIONS READY FOR THE LINER.
2. DIMENSIONS ARE FROM INSIDE POOL PANELS.
3. ROPE AND FLOAT ASSEMBLY SHOULD BE INSTALLED IN ACCORDANCE WITH CURRENT ANSI/ASPS/ICC REGULATIONS
4. HYDRA LINER TRACK FOR STEPS IS INSTALLED WITH THE BARB FACING THE RISER WALL ON THE STEP.

**EXCAVATION NOTES:**

5. ROUGH EXCAVATION SHOULD BE 2" DEEPER IN EACH INSTANCE.
6. SOIL TO HAVE MINIMUM BEARING CAPACITY OF 1500 PSF.
7. LOCATE TOP OF POOL AT LEAST 6" ABOVE THE SURROUNDING LAND ELEVATION.
8. SEE "OVER DIG DETAIL", IN INSTALLATION MANUAL, FOR EXCAVATION AROUND POOL.
9. FILL VOIDS UNDER BASE OF PANELS AND TAMP WELL.
10. BACK FILL WITH NON-EXPANSIVE MATERIAL.
11. FOLLOW ALL CURRENT ANSI / APSP / ICC GUIDELINES FOR RESIDENTIAL POOLS

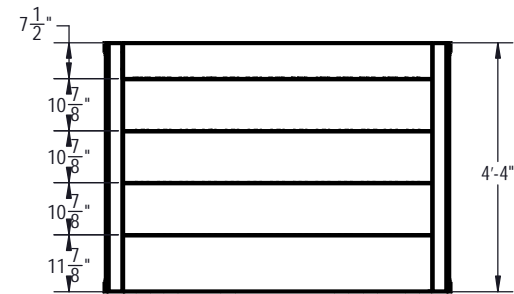
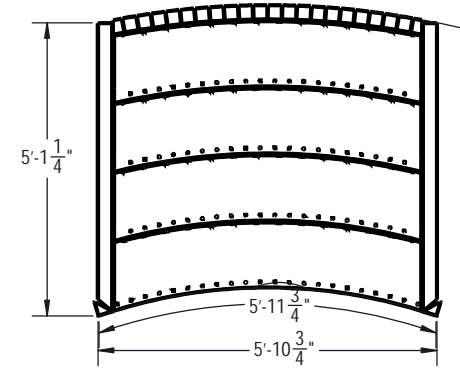
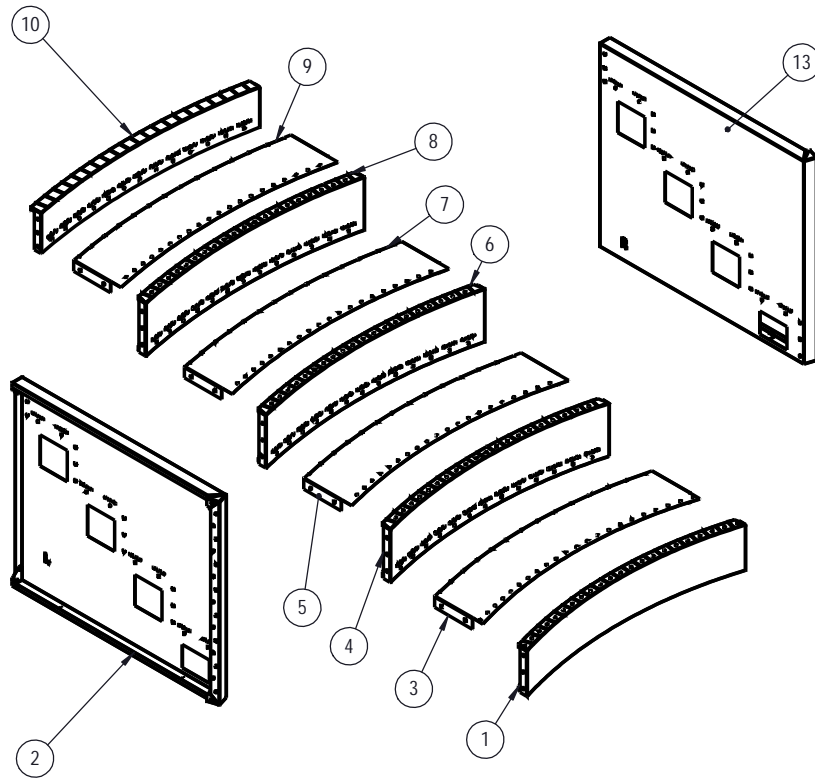
**IMPORTANT NOTES:**

THIS DOCUMENT IS FOR ILLUSTRATIVE PURPOSES ONLY. THE DEALER OR CONTRACTOR WHO SELLS OR INSTALLS YOUR POOL IS AN INDEPENDENT CONTRACTOR AND IS NOT AN AGENT OF THE MANUFACTURER. THE CONSTRUCTION METHODS ILLUSTRATED HERE ARE SUGGESTIONS AND APPLY ONLY TO NORMAL GROUND CONDITIONS. THERE MAY BE ADDITIONAL PRECAUTIONS AND/OR METHODS OF CONSTRUCTION. PROPER INSTALLATION IS THE RESPONSIBILITY OF THE DEALER/BUILDER/CONTRACTOR.

ITEM	FILE NAME	DESCRIPTION	CUSTOMER DRAWING #	VENDOR PART #	QTY.
1	00028304	ASSEMBLY, STEP, 52 IN WALL, 4 TREAD, 9 FT RADIUS, 6' WIDE, 90° CORNER	HSSH28304	00028304	1
2	BOLT, PACK	BOLT, FLANGE, 3/8-16 X 1", PACK (50)	HPS1916	HPS1916	7
3	52IN, BRACE	BRACE, BUTTRESS, 52", 850 SERIES	HPSHTRIBRC	00025945	18
4	52IN PANEL, RR	PANEL, 4' REVERSE RADIUS, 2'-5.00' LONG, 850 SERIES	HPSH4RR250	00027943	4
5	52 IN PANEL, RADIUS	PANEL, 6' RADIUS, 2' LONG, 850 SERIES	HPSH6R2	00027705	3
6	52 IN PANEL, RADIUS	PANEL, 6' RADIUS, 4' LONG, 850 SERIES	HPSH6R4	00027688	8
7	52 IN PANEL, RADIUS	PANEL, 6' RADIUS, 4' LONG, AQUA GENIE, 850 SERIES	HPSH6R4AG	00046576	1
8	52 IN PANEL, RADIUS	PANEL, 6' RADIUS, FULL CIRCLE FILL, 850 SERIES	HPSH6R1837	00028044	2
9	STAKE	STAKE, 14 GA	HPSSTAKE	00003484	18

ENGINEERING DRAWING NUMBER: <b>00041347</b>	WEIGHT: lbs	<b>UNLESS OTHERWISE SPECIFIED</b> DIMENSIONS ARE IN INCHES TOLERANCES DECIMALS: X ± XX ± XXX ± XXXX ±  ANGULAR: X ± 0.5 THIRD ANGLE PROJECTION	DESIGNED BY: <b>RMILLER</b>	CREATION DATE: <b>10/25/2019</b>	<b>SAMSON STEEL</b>
	VOLUME: Inch <sup>3</sup>		DETAILED BY: <b>JWILEY</b>	DETAILED DATE: <b>3/26/2023</b>	
	COLOR:		LAST REVISED BY: <b>Jessex</b>	LAST REVISED DATE: <b>3/26/2023</b>	
	HEAT TREAT:		MATERIAL:		
FINISH:					TITLE: <b>LAYOUT, 12'x23', LAGOON, HPSH28304, 1- AQUA GENIE, 850 SERIES</b>
TEXTURE:					PART NUMBER: <b>00041347</b>
					SCALE: 1:96 SHEET: 1 OF 2
					<b>A</b>

DRAWING NUMBER: 00041347 CHECK IN DATE TIME: Sunday, March 26, 2023 10:50:42 AM



ITEM	FILE NAME	DESCRIPTION	CUSTOMER DRAWING #	VENDOR PART #	QTY
1	00028303	RISEK 9FT RADIUS STEP, 52 IN, "D"		00028303	1
2	00028294	ASSEMBLY, PANEL, RADIUS STEP, 52 IN WALL, 4 TREAD, LEFT SIDE	00028294	00028294	1
3	00028298	TREAD, 9FT RADIUS STEP, 52 IN, BOTTOM "D"	00028298	00028298	1
4	00028302	RISEK 9FT RADIUS STEP, 52 IN, "C"	00028302	00028302	1
5	00028297	TREAD, 9FT RADIUS STEP, 52 IN, MIDDLE "C"	00028297	00028297	1
6	00028301	RISEK 9FT RADIUS STEP, 52 IN, "B"	00028301	00028301	1
7	00028296	TREAD, 9FT RADIUS STEP, 52 IN, MIDDLE "B"	00028296	00028296	1
8	00028300	RISEK 9FT RADIUS STEP, 52 IN, "A"	00028300	00028300	1
9	00028295	TREAD, 9FT RADIUS STEP, 52 IN, TOP "A"	00028295	00028295	1
10	00028299	RISEK 9FT RADIUS STEP, 52 IN, TOP BACK	00028299	00028299	1
11		BOLT, PACK	HPS1916	HPS1916	3
12	FHSCS 0.375-16x1x1-HX-N				100
13	00028293	ASSEMBLY, PANEL, RADIUS STEP, 52 IN WALL, 4 TREAD, RIGHT SIDE	00028293	00028293	1

PART NUMBER: 00028304	<b>UNLESS OTHERWISE SPECIFIED</b> DIMENSIONS ARE IN INCHES TOLERANCES: DECIMALS: X ± .05 ANGULAR: X ± 0.5 THIRD ANGLE PROJECTION	DESIGNED BY: BFOUTZ DATE: 11/11/2019 DRAWN BY: JWILEY DATE: 3/26/2023 LAST REVISED BY: HESSEX DATE: 3/6/2023 MATERIAL: G-235,14 GA	CREATOR DATE: 11/11/2019 REVISION DATE: 3/26/2023 LAST REVISED DATE: 3/6/2023	<b>SAMSON STEEL</b>  TITLE: ASSEMBLY, STEP, 52 IN WALL, 4 TREAD, 9FT RADIUS, 6" WIDE, 90° CORNER
	WEIGHT: 29.110 LBS VOLUME: 378.242 INCH <sup>3</sup> COLOR: HEAT TREAT: FINISH: TEXTURE:	PART NUMBER: HSSH28304	SCALE: 1/50 SHEET: 2 OF 2	SIZE: B