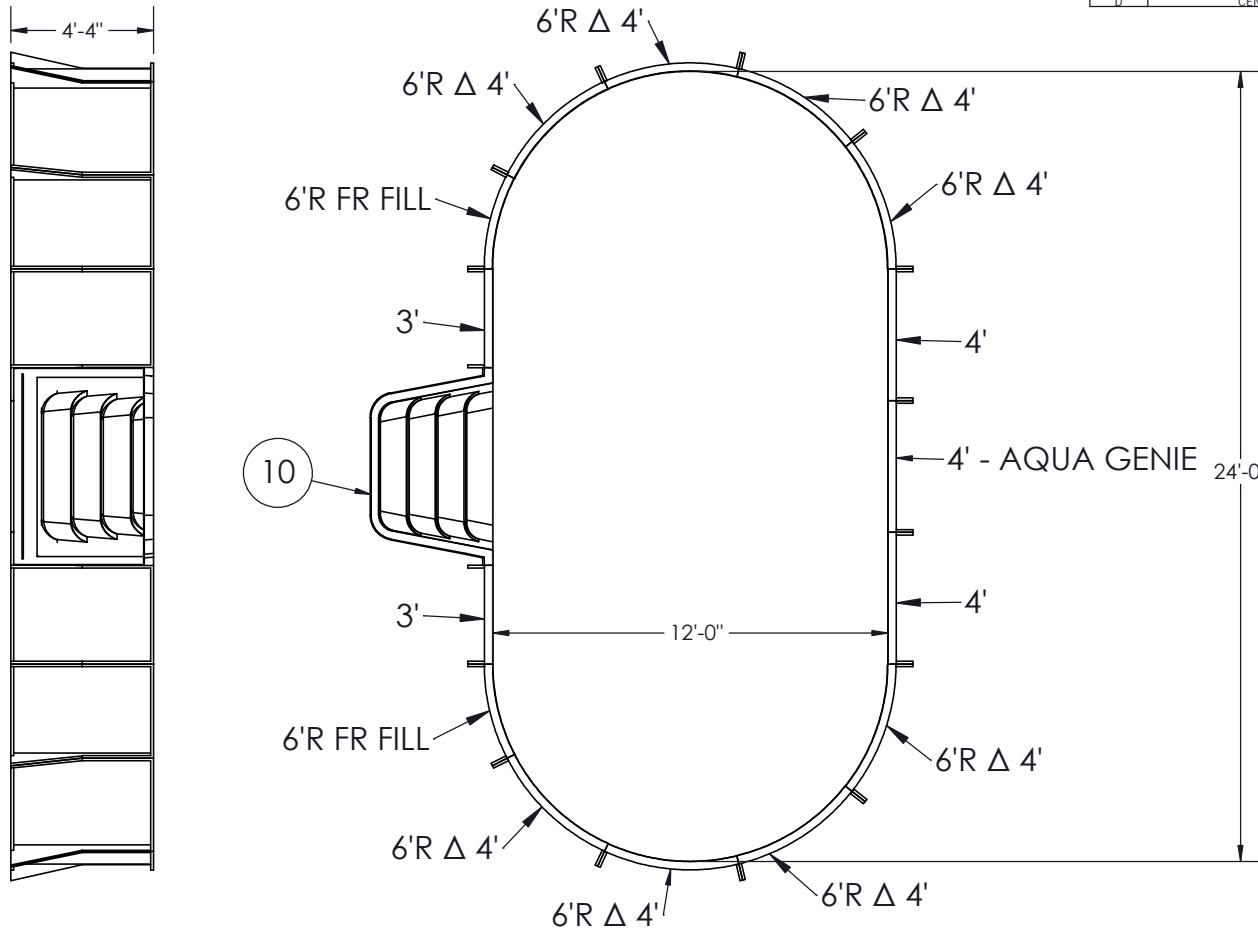


REVISION HISTORY				
REV	DESCRIPTION	DATE	ECO	BY
A	RELEASED FOR QUOTE	5/7/2022		RMILLER
B	UPDATED PER TICKET # 1972331	12/9/2022		JESSIK
C	CHANGED STEP PER 578040	01/30/23		MWILLIAMS
D	CENTERED AQUA GENIE	3/14/2023		MROGERS



NOTES:

- THESE ARE FINISHED DIMENSIONS READY FOR THE LINER.
- DIMENSIONS ARE FROM INSIDE POOL PANELS.
- ROPE AND FLOAT ASSEMBLY SHOULD BE INSTALLED IN ACCORDANCE WITH CURRENT ANSI/APSP/ICC REGULATIONS
- HYDRA LINER TRACK FOR STEPS IS INSTALLED WITH THE BARB FACING THE RISER WALL ON THE STEP.

EXCAVATION NOTES:

- ROUGH EXCAVATION SHOULD BE 2" DEEPER IN EACH INSTANCE.
- SOIL TO HAVE MINIMUM BEARING CAPACITY OF 1500 PSF.
- LOCATE TOP OF POOL AT LEAST 6" ABOVE THE SURROUNDING LAND ELEVATION.
- SEE "OVER DIG DETAIL", IN INSTALLATION MANUAL, FOR EXCAVATION AROUND POOL.
- FILL VOIDS UNDER BASE OF PANELS AND TAMP WELL.
- BACK FILL WITH NON-EXPANSIVE MATERIAL.
- FOLLOW ALL CURRENT ANSI / APSP / ICC GUIDELINES FOR RESIDENTIAL POOLS

IMPORTANT NOTES:

THIS DOCUMENT IS FOR ILLUSTRATIVE PURPOSES ONLY. THE DEALER OR CONTRACTOR WHO SELLS OR INSTALLS YOUR POOL IS AN INDEPENDENT CONTRACTOR AND IS NOT AN AGENT OF THE MANUFACTURER. THE CONSTRUCTION METHODS ILLUSTRATED HERE ARE SUGGESTIONS AND APPLY ONLY TO NORMAL GROUND CONDITIONS. THERE MAY BE ADDITIONAL PRECAUTIONS AND/OR METHODS OF CONSTRUCTION. PROPER INSTALLATION IS THE RESPONSIBILITY OF THE DEALER/BUILDER/CONTRACTOR.

ITEM	FILE NAME	DESCRIPTION	CUSTOMER DRAWING #	VENDOR PART #	QTY.
1	BOLT, PACK	BOLT, FLANGE, 3/8-16 X 1", PACK (50)	HPS1916	HPS1916	7
2	52IN, BRACE	BRACE, BUTTRESS, 52", 850 SERIES	HPSHTRIBRC	00025945	16
3	52IN STD LINER	LINER, 12' X 24' OVAL, 850 SERIES	HL1224OVAL52	00028122	1
4	52IN PANEL, STRAIGHT	PANEL, 3' LONG, 850 SERIES	HPSH103P	00025940	2
5	52IN PANEL, STRAIGHT	PANEL, 4' LONG, 850 SERIES	HPSH104P	00025308	2
6	52IN PANEL, STRAIGHT	PANEL, 4' LONG, AQUA GENIE, 850 SERIES	HPSH104AG	00027234	1
7	52 IN PANEL, RADIUS	PANEL, 6' RADIUS, 4' LONG, 850 SERIES	HPSH6R4	00027688	8
8	52 IN PANEL, RADIUS	PANEL, 6' RADIUS, FULL RADIUS FILL, 850 SERIES	HPSH6R21019	00027722	2
9	STAKE	STAKE, 14 GA	HPSSTAKE	00003484	16
10	HS510N	STEP, 52" BULLNOSE, STRAIGHT, 6'	HS510N	HS510N	1

ENGINEERING DRAWING NUMBER: 00043174	WEIGHT: lbs	UNLESS OTHERWISE SPECIFIED DIMENSIONS ARE IN INCHES TOLERANCES DECIMALS: X ± .1 XX ± .01 XXX ± .001 XXXX ± .0005 ANGULAR: X ± 0.5 THIRD ANGLE PROJECTION 	DESIGNED BY: MWILLIAMS	CREATION DATE: 10/10/2019	SAMSON STEEL	
	VOLUME: Inch³		DETAILED BY: MWILLIAMS	DETAILED DATE: 3/14/2023		
	COLOR:		LAST REVISED BY: mrogers	LAST REVISED DATE: 3/14/2023	TITLE: LAYOUT, 12' X 24', OVAL, HS510N, 1- AQUA GENIE, 850 SERIES	
	HEAT TREAT:		MATERIAL:	PART NUMBER: 00043174	SCALE: 1:100	SIZE: A
	FINISH:			SHEET: 1 OF 1		